



US00D827613S

(12) **United States Design Patent** (10) **Patent No.:** **US D827,613 S**
Seo et al. (45) **Date of Patent:** **** Sep. 4, 2018**

(54) **REMOTE CONTROLLER**
(71) Applicant: **Samsung Electronics Co., Ltd.**,
Suwon-si (KR)

D512,027 S * 11/2005 Sarasjoki D13/168
D524,254 S * 7/2006 van Himbeeck D13/168
D527,712 S * 9/2006 Indio da Costa D13/168
(Continued)

(72) Inventors: **Yong Seo**, Seoul (KR); **Minki Ham**,
Seoul (KR); **Eunha Choi**, Yongin-si
(KR)

FOREIGN PATENT DOCUMENTS

JP D1229382 * 2/2005
KR 30-0724312 1/2014
WO WO D089979-001 * 12/2016

(73) Assignee: **SAMSUNG ELECTRONICS CO., LTD.**,
Suwon-si (KR)

OTHER PUBLICATIONS

(**) Term: **15 Years**

Device Control Hardware by FutureVideo, website date 2012,
<http://www.futurevideo.com/device-control-hardware.htm>, site vis-
ited Mar. 26, 2018 (Year: 2012).*

(21) Appl. No.: **29/608,346**

(22) Filed: **Jun. 21, 2017**

Primary Examiner — Eric L Goodman
Assistant Examiner — John R Yeh

(30) **Foreign Application Priority Data**

Dec. 23, 2016 (KR) 30-2016-0062843

(74) *Attorney, Agent, or Firm* — McAndrews Held &
Malloy, Ltd.

(51) **LOC (11) Cl.** **14-03**

(57) **CLAIM**

(52) **U.S. Cl.**
USPC **D14/218**

The ornamental design for a remote controller, as shown and
described.

(58) **Field of Classification Search**
USPC D14/218, 225, 204–206; D13/168;
D10/49; D21/333
CPC H04R 1/083; G06F 1/1628; G06F 3/01;
G06F 3/16
See application file for complete search history.

DESCRIPTION

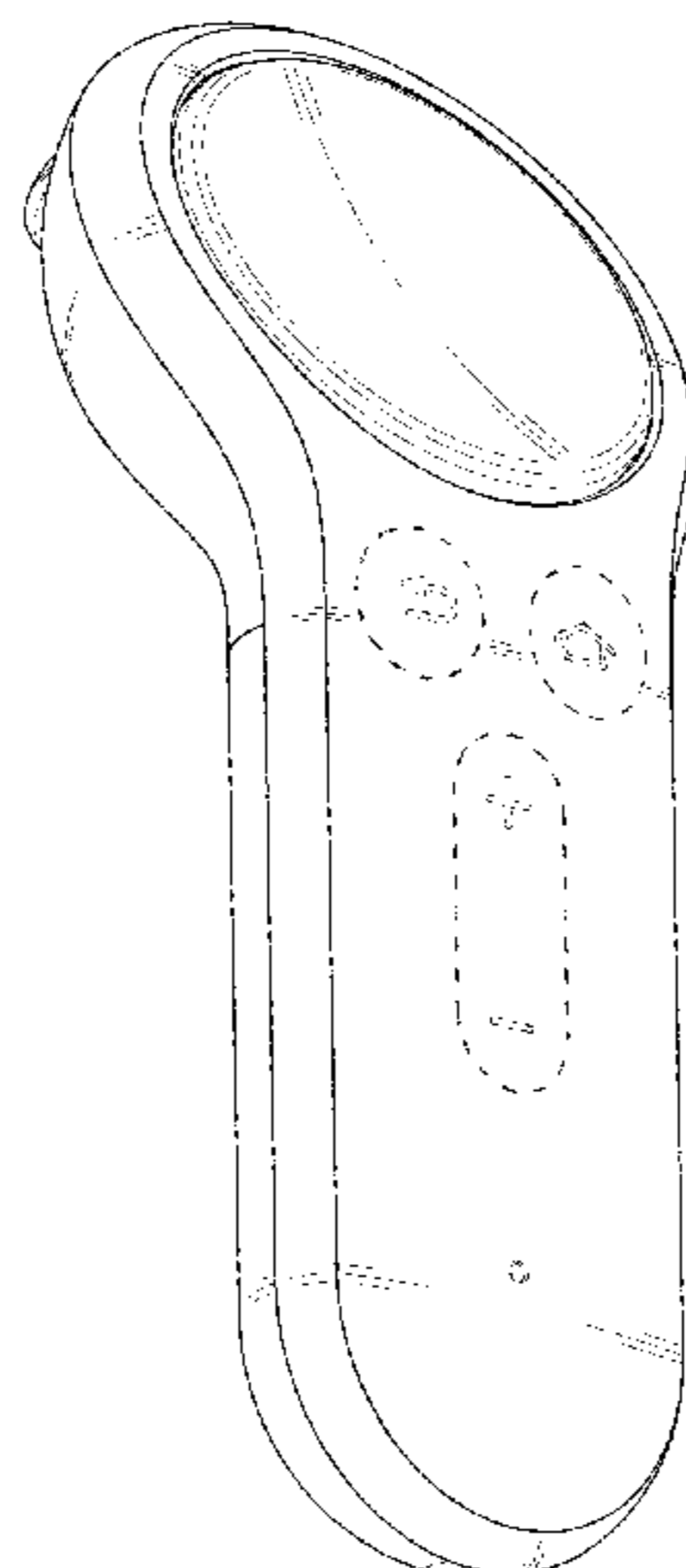
(56) **References Cited**

U.S. PATENT DOCUMENTS

D363,720 S * 10/1995 Lagohm D14/218
D366,876 S * 2/1996 Labohm D14/218
D368,475 S * 4/1996 Scott D14/218
D375,748 S * 11/1996 Hartman D14/218
D376,366 S * 12/1996 Patton D14/218
5,767,841 A * 6/1998 Hartman G06F 3/03549
345/167
D486,144 S * 2/2004 Esslinger D14/218
D487,733 S * 3/2004 Lucaci D14/137
D502,929 S * 3/2005 Copeland D13/168

FIG. 1 is a front perspective view of a remote controller
showing our new design according to a first embodiment;
FIG. 2 is a front elevation view thereof;
FIG. 3 is a rear elevation view thereof;
FIG. 4 is a left-side elevation view thereof;
FIG. 5 is a right-side elevation view thereof;
FIG. 6 is a top plan view thereof;
FIG. 7 is a bottom plan view thereof; and,
FIG. 8 is a front perspective view thereof, in which a strap
is shown in broken lines to illustrate an example environ-
ment.
The broken lines in the drawings depict environment and
portions of the remote controller that form no part of the
claimed design.

1 Claim, 8 Drawing Sheets



(56)

References Cited

U.S. PATENT DOCUMENTS

D550,654 S * 9/2007 Miyawaki D14/218
D569,814 S * 5/2008 Ikeda D13/168
D609,685 S * 2/2010 Lin D14/138 AA
D688,232 S * 8/2013 Zhang D14/218
D697,057 S * 1/2014 Kwon D14/218
D723,521 S * 3/2015 Chen D14/218
9,722,235 B2 * 8/2017 Tompkins H01M 2/34
D799,449 S * 10/2017 Yoon D14/218
D799,450 S * 10/2017 Lee D14/218
2005/0024321 A1 * 2/2005 Tsai G06F 3/0219
345/156
2005/0137000 A1 * 6/2005 Toh H04M 1/0227
455/575.4

* cited by examiner

FIG. 1

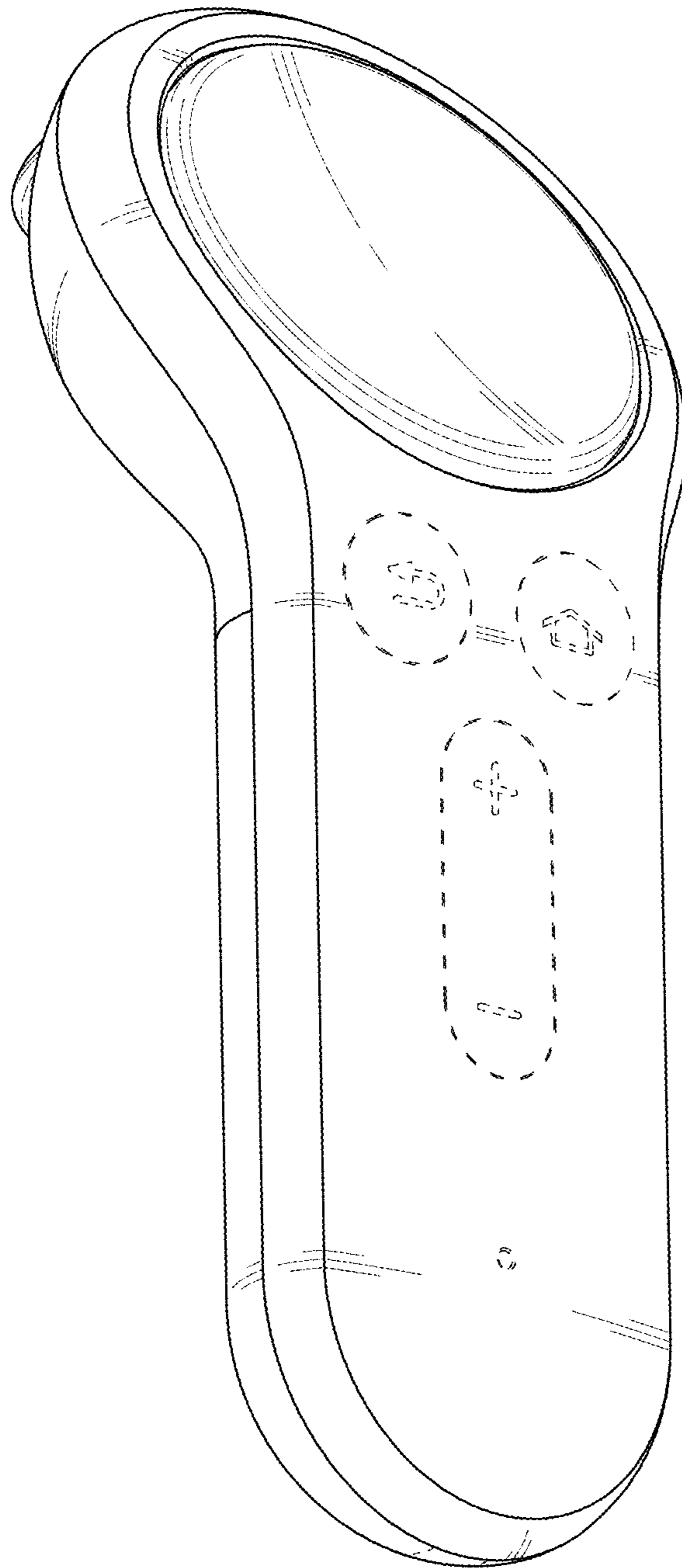


FIG. 2

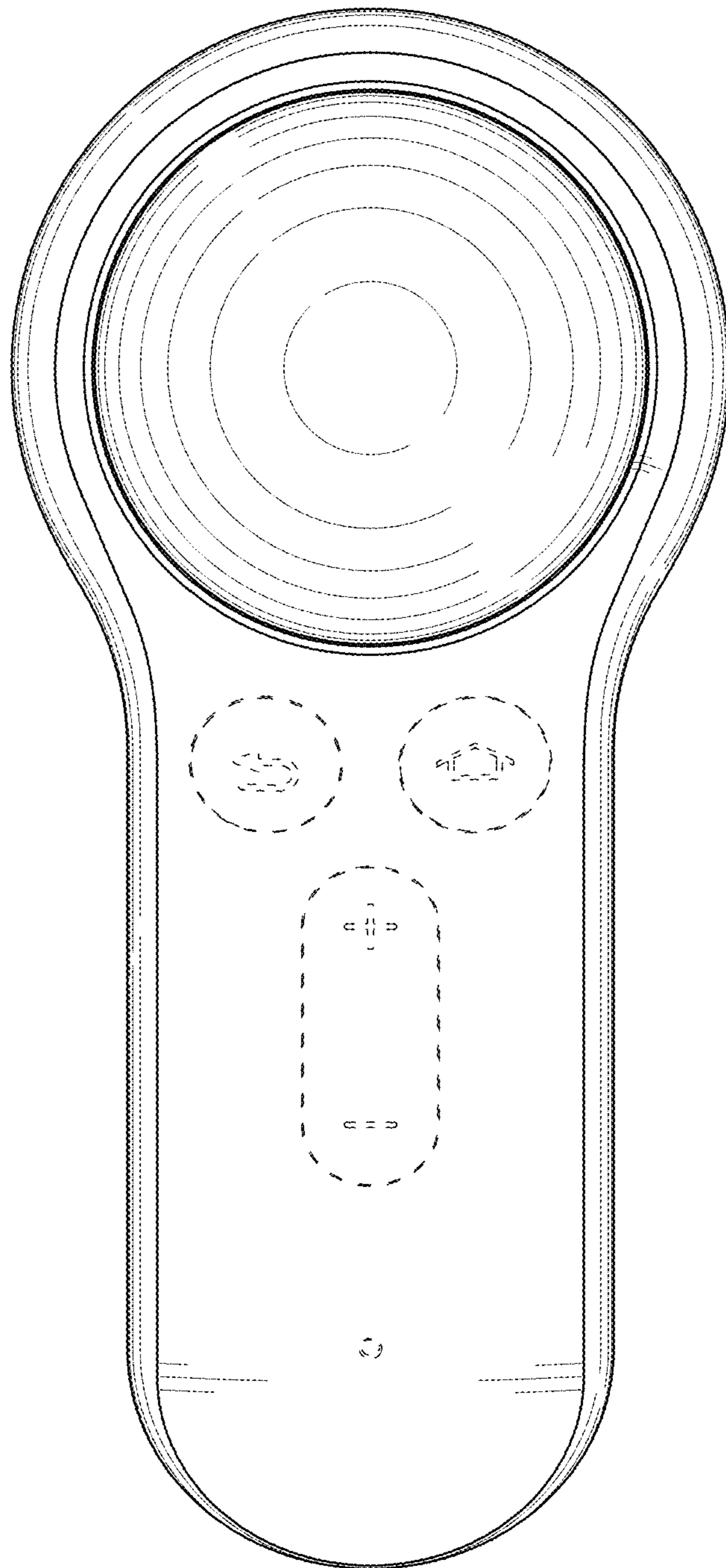


FIG. 3

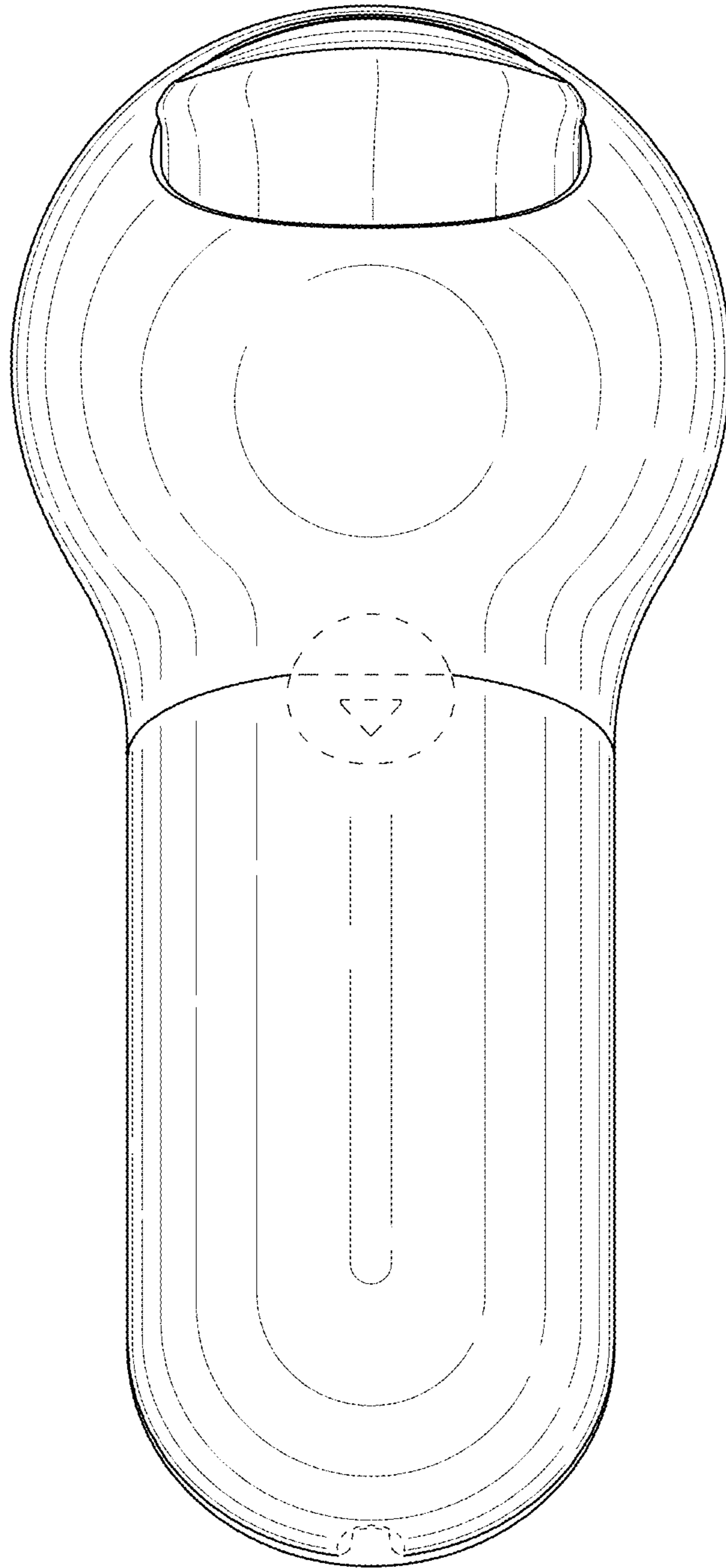


FIG. 4

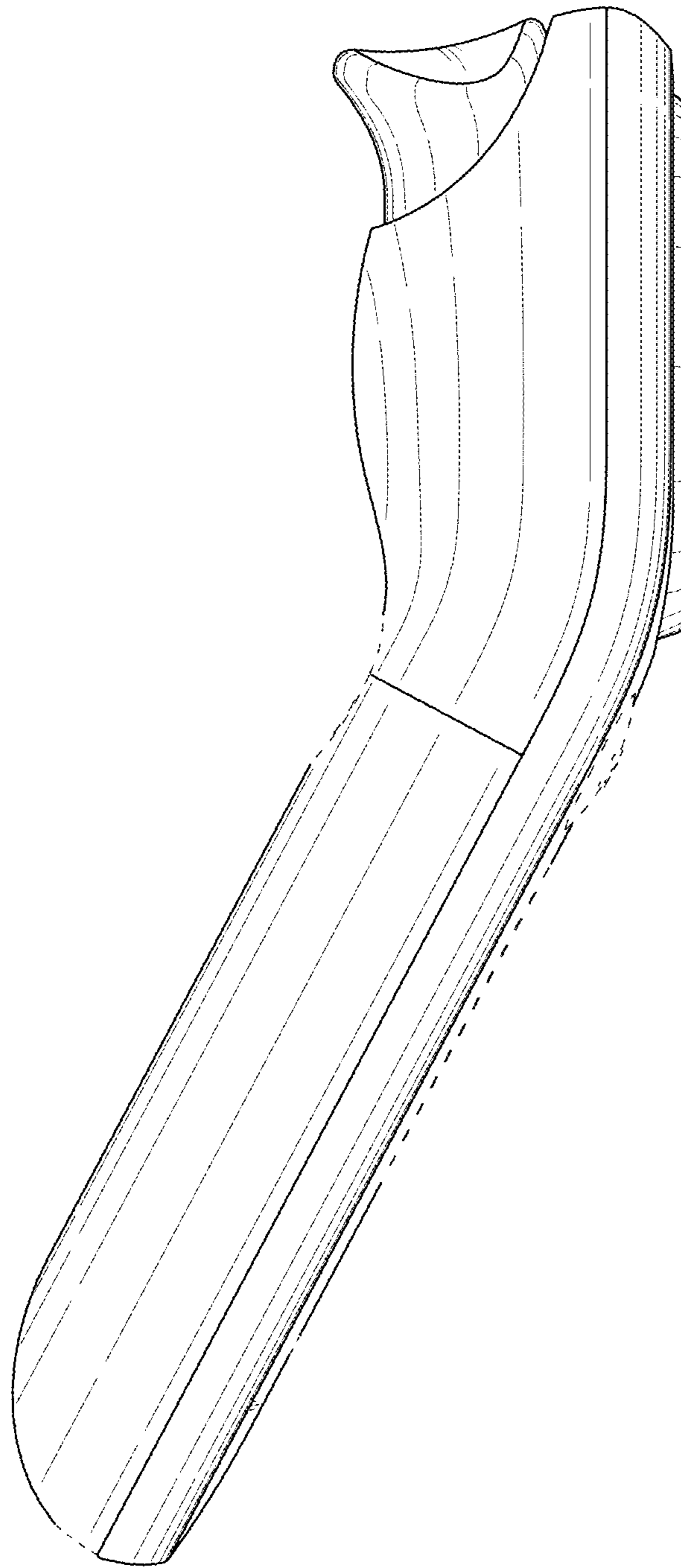


FIG. 5

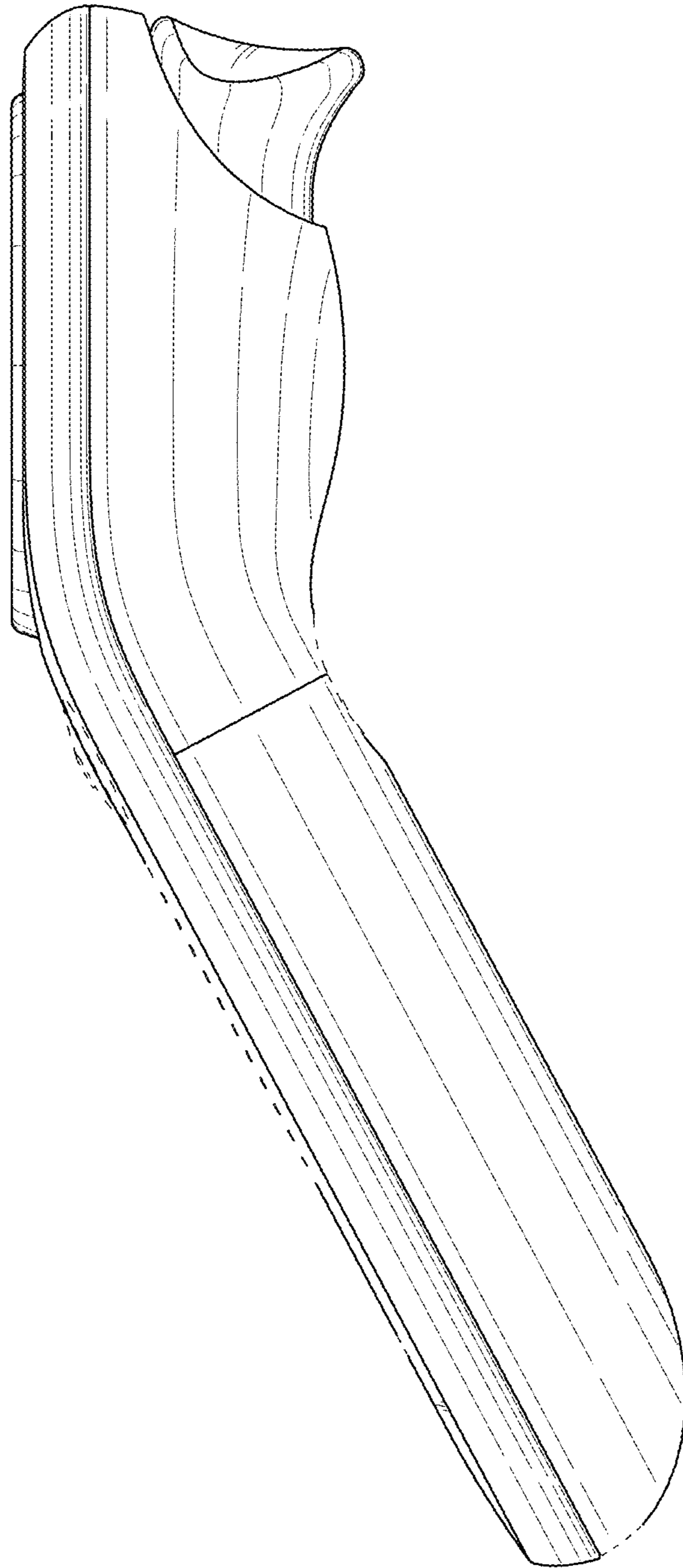


FIG. 6

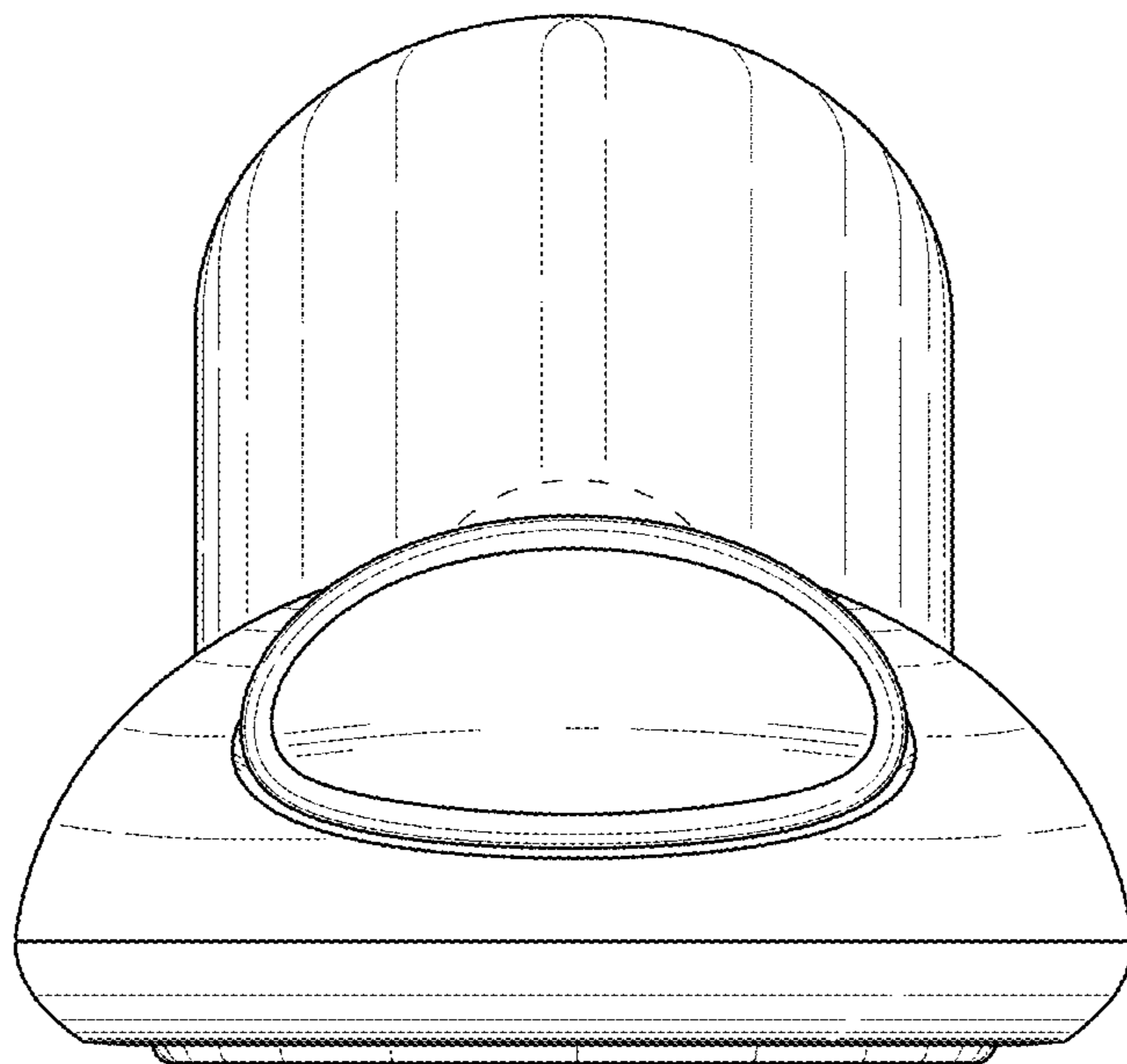


FIG. 7

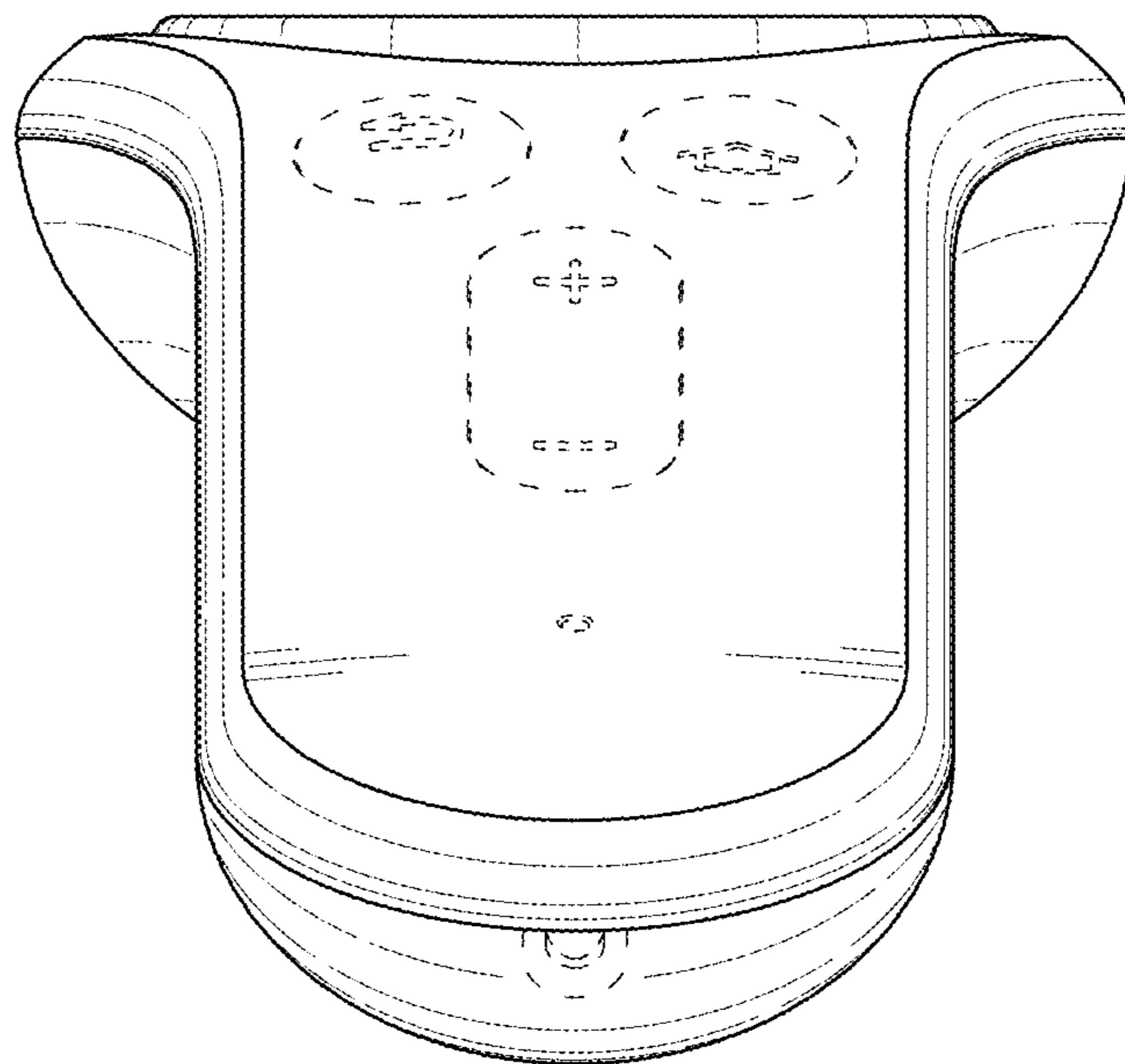


FIG. 8

