



US00D827610S

(12) **United States Design Patent** (10) **Patent No.:** **US D827,610 S**
Kim et al. (45) **Date of Patent:** **** Sep. 4, 2018**

(54) **AUDIO VISUAL BOX FOR TV RECEIVER**

(56) **References Cited**

(71) Applicant: **LG ELECTRONICS INC.**, Seoul (KR)
(72) Inventors: **Yooseok Kim**, Seoul (KR); **Sunha Park**, Seoul (KR); **Younsoo Kim**, Seoul (KR); **Byungmu Huh**, Seoul (KR)
(73) Assignee: **LG ELECTRONICS INC.**, Seoul (KR)
(**) Term: **15 Years**
(21) Appl. No.: **35/503,413**

U.S. PATENT DOCUMENTS

D470,126 S *	2/2003	Ljungberg	D14/214
D597,529 S *	8/2009	Tan	D14/214
D610,134 S *	2/2010	Gotzen	D14/188
D653,239 S *	1/2012	Kim	D14/215
D681,009 S *	4/2013	Meng	D14/214
D681,606 S *	5/2013	Nishii	D14/214
D688,231 S *	8/2013	Nishii	D14/214
D711,852 S *	8/2014	Mackiewicz	D14/214
D715,257 S *	10/2014	Son	D14/214
D715,259 S *	10/2014	Han	D14/214
D716,260 S *	10/2014	Park	D14/210
D725,639 S *	3/2015	Kim	D14/239

(Continued)

FOREIGN PATENT DOCUMENTS

WO D094547-001 * 7/2017

(22) Filed: **Jan. 20, 2017**

(80) **Hague Agreement Data**

Int. Filing Date: **Jan. 20, 2017**
Int. Reg. No.: **DM/094547**
Int. Reg. Date: **Jan. 20, 2017**
Int. Reg. Pub. Date: **Jul. 21, 2017**

OTHER PUBLICATIONS

Neets Sound Bar—SB1, announced 2018 [online], [retrieved Jun. 19, 2017]. Available from Internet, URL: <<https://www.neets.dk/products/sound-bars/166#Features>>.*

Primary Examiner — Barbara Fox
Assistant Examiner — Dana K Weiland
(74) *Attorney, Agent, or Firm* — Birch, Stewart, Kolasch & Birch, LLP

(30) **Foreign Application Priority Data**

Jul. 28, 2016 (KR) 30-2016-0037092

(51) **LOC (11) Cl.** **14-01**

(52) **U.S. Cl.**
USPC **D14/214**

(58) **Field of Classification Search**
USPC D14/125–126, 131, 172, 188, 193–194, D14/203.1, 204–206, 209.1, 210–216, D14/221, 223–224, 239, 249, 265; D21/513, 516; D3/206
CPC . B60R 11/0217; B60R 11/0223; H04R 1/023; H04R 1/025; H04R 1/323; H04R 5/02; H04R 19/02; H04R 2400/00; H04R 2400/07; H04R 2400/11

See application file for complete search history.

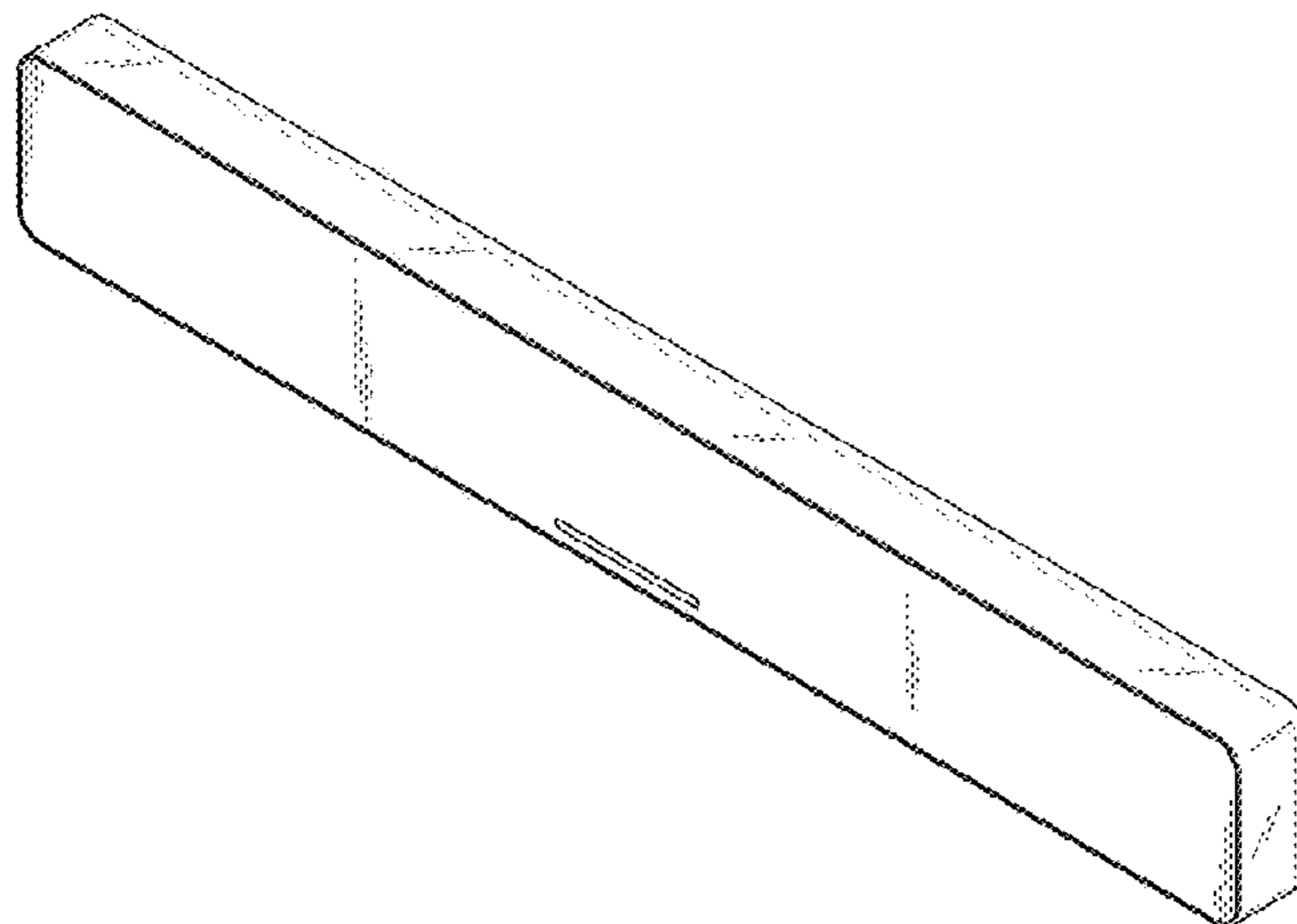
(57) **CLAIM**

The ornamental design for an audio visual box for TV receiver, as shown and described.

DESCRIPTION

- 1. Audio visual box for TV receiver
- 1.1 : Perspective
- 1.2 : Front
- 1.3 : Back

(Continued)



- 1.4 : Left
- 1.5 : Right
- 1.6 : Top
- 1.7 : Bottom

1 Claim, 7 Drawing Sheets

(56)

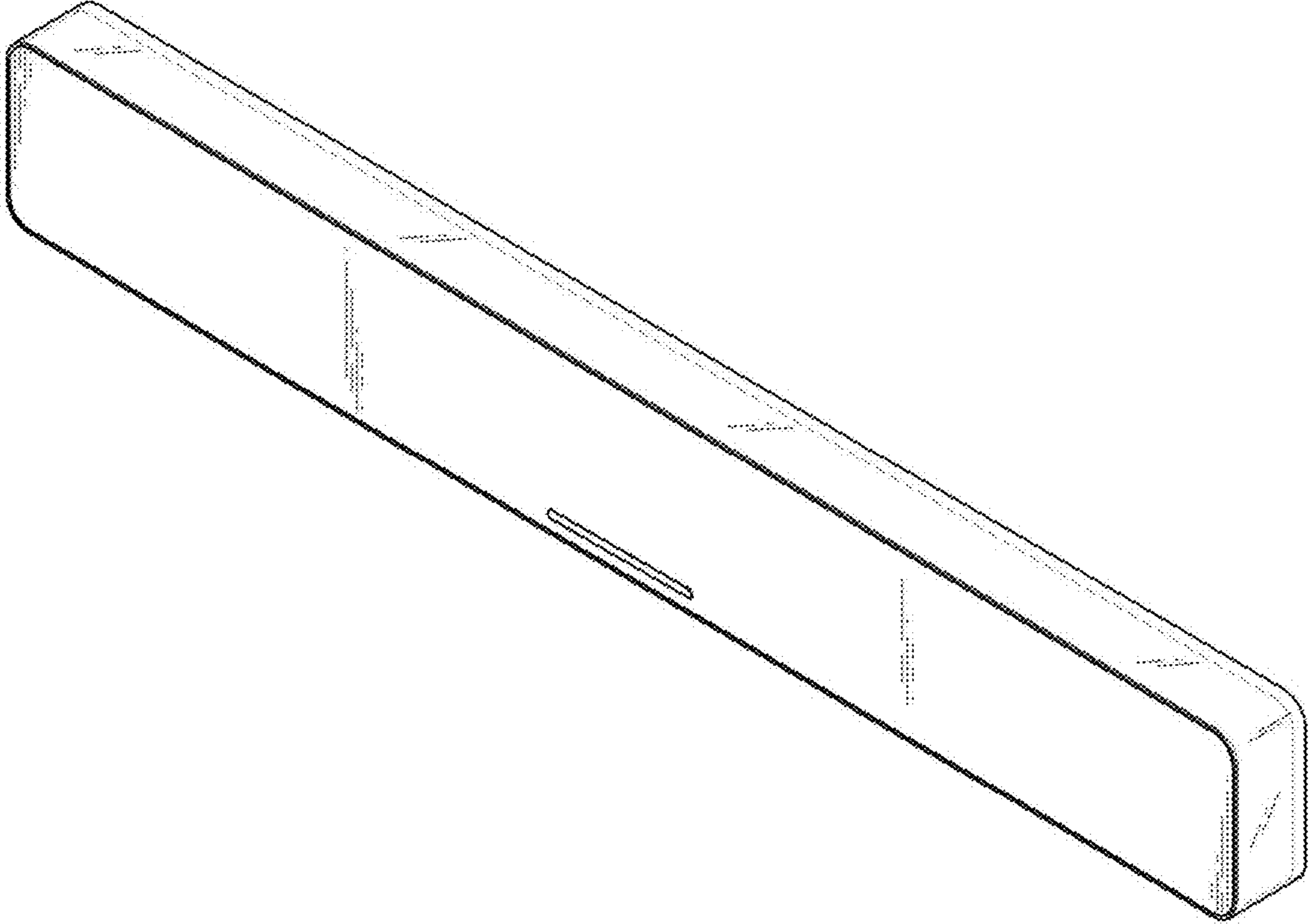
References Cited

U.S. PATENT DOCUMENTS

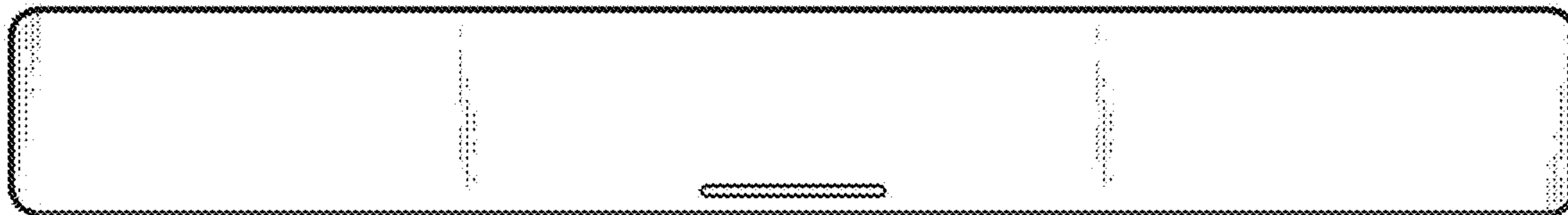
D753,627	S	*	4/2016	Kim	D14/214
D756,968	S	*	5/2016	Huang	D14/214
D757,001	S	*	5/2016	Kim	D14/138 R
D759,624	S	*	6/2016	Byrd	D14/204
D772,830	S	*	11/2016	Kim	D14/126
D773,436	S	*	12/2016	Kim	D14/214
D785,596	S	*	5/2017	Lewis	D14/214
D786,823	S	*	5/2017	Seong	D14/204
D789,923	S	*	6/2017	Magi	D14/126
D791,736	S	*	7/2017	Schoolmeester	D14/214
D818,977	S	*	5/2018	Kim	D14/126

* cited by examiner

1.1



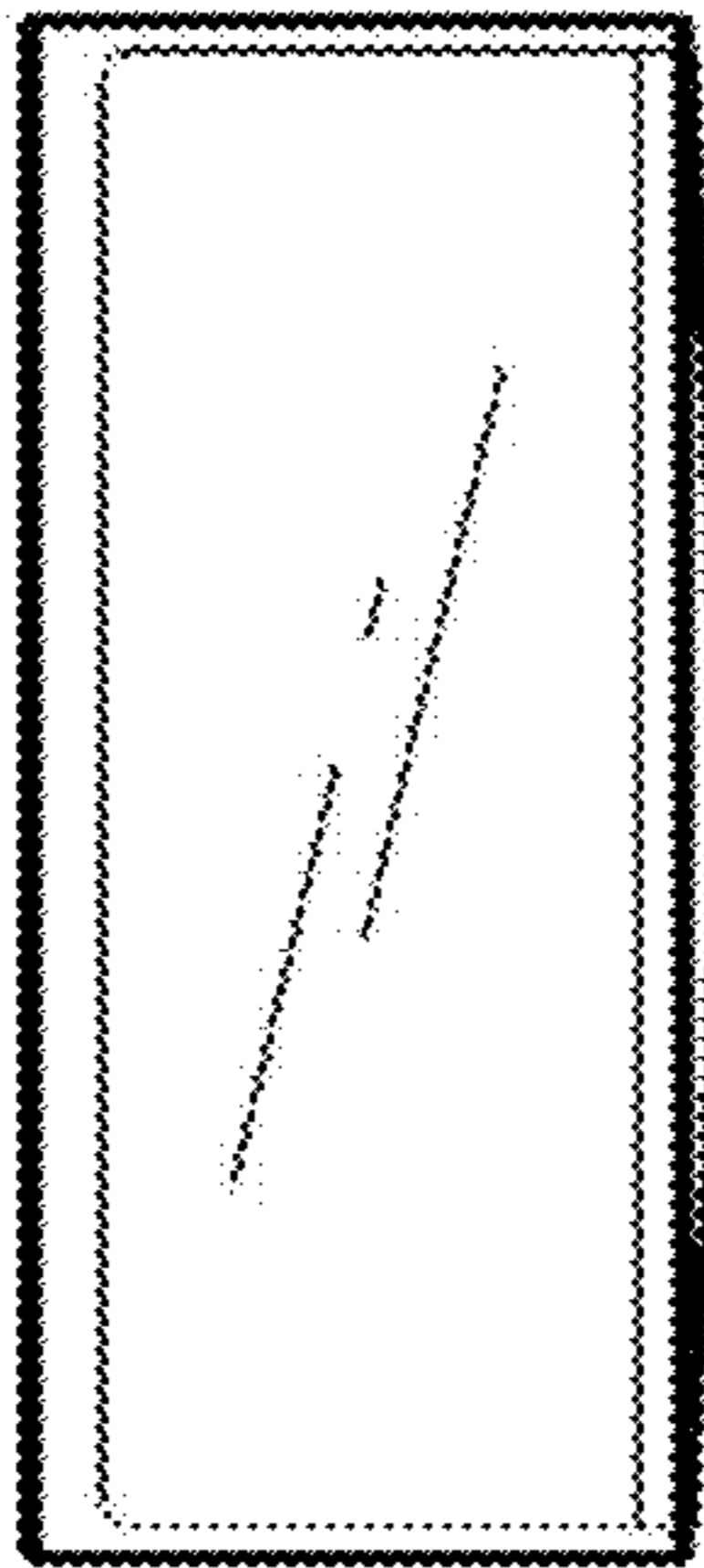
1.2



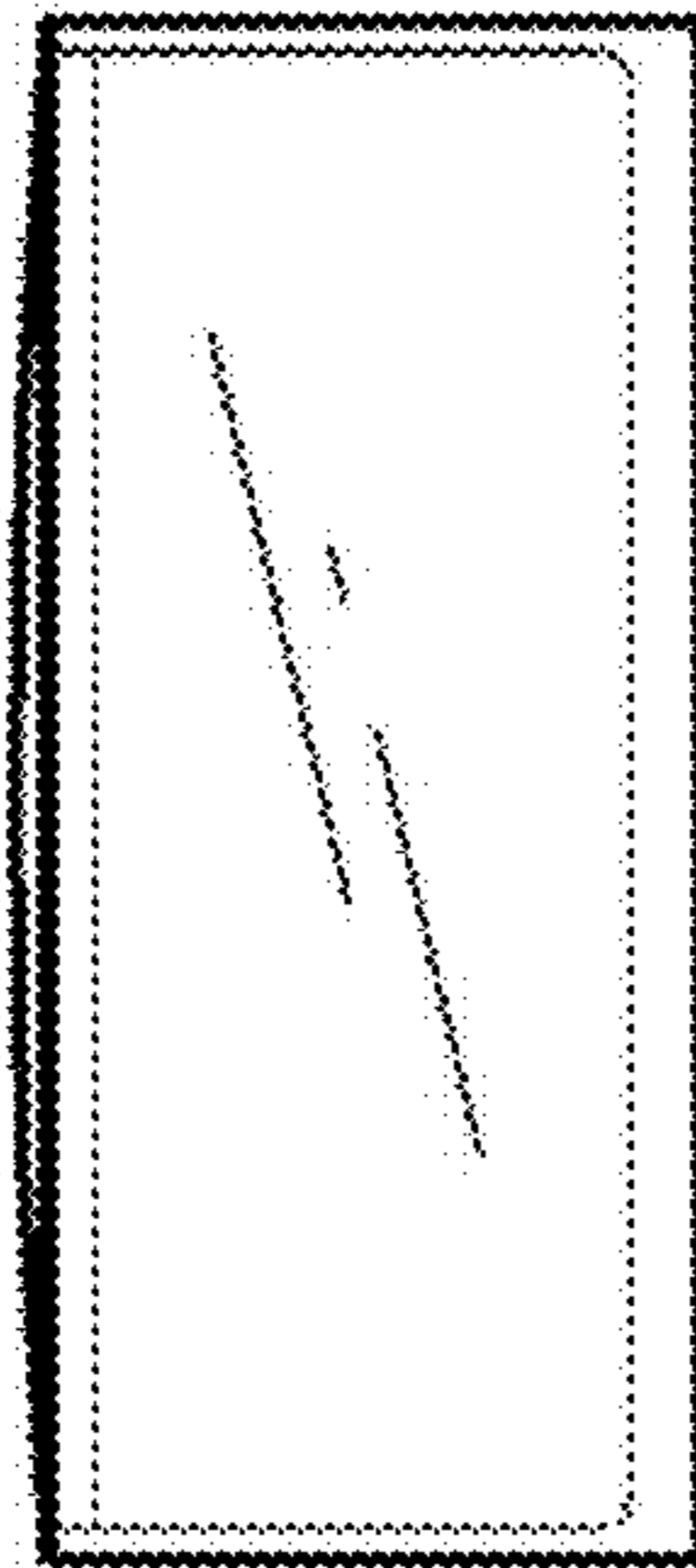
1.3



1.4



1.5



1.6



1.7

