



US00D827608S

(12) **United States Design Patent** (10) **Patent No.:** **US D827,608 S**  
**Nugent et al.** (45) **Date of Patent:** **\*\* Sep. 4, 2018**

(54) **PUBLIC ANNOUNCEMENT SYSTEM** 4,805,729 A \* 2/1989 Wascom ..... H04R 1/26  
181/144  
(71) Applicant: **Harman International Industries, Incorporated**, Northridge, CA (US) D317,916 S \* 7/1991 Fuke ..... D14/163  
D338,756 S \* 8/1993 Pink ..... D34/1  
D339,345 S \* 9/1993 Fuke ..... D14/163  
(72) Inventors: **Tim Nugent**, Santa Monica, CA (US); D395,656 S \* 6/1998 Woolley ..... D14/214  
**Andy Flint**, Santa Clarita, CA (US) 5,933,507 A \* 8/1999 Woolley ..... H04R 5/02  
381/300  
(73) Assignee: **Harman International Industries, Incorporated**, Northridge, CA (US) D436,349 S \* 1/2001 Kim ..... D14/203.3  
D441,737 S \* 5/2001 Chan ..... D14/162  
D442,159 S \* 5/2001 Chan ..... D14/162  
(Continued)

(\*\*) Term: **15 Years**

(21) Appl. No.: **29/551,703**

(22) Filed: **Jan. 15, 2016**

(51) **LOC (11) Cl.** ..... **14-01**

(52) **U.S. Cl.**  
USPC ..... **D14/214; D14/211**

(58) **Field of Classification Search**  
USPC ..... D14/168, 188, 194, 195, 196, 204, 210,  
D14/211, 212, 213, 214, 215, 216, 157,  
D14/221, 222, 223, 224, 217, 257, 258  
CPC ... B60R 11/0217; B60R 11/02; G06F 1/1688;  
G10K 9/22; G10K 11/004; H03F 1/327;  
H04M 1/03; H04M 1/035; H04N 5/642;  
H04N 21/4852; H04S 3/00; H04S 7/30;  
H04R 1/02; H04R 1/06; H04R 1/021;  
H04R 1/025; H04R 1/026; H04R 1/028;  
H04R 1/105; H04R 1/323; H04R 1/403;  
H04R 1/2803; H04R 1/2834; H04R 5/02;  
H04R 7/20; H04R 9/06; H04R 9/025;  
H04R 2201/021; H04R 2400/00; H04R  
2400/07; H04R 2499/11; H04R 2499/13;  
H04R 2499/15

See application file for complete search history.

(56) **References Cited**

**U.S. PATENT DOCUMENTS**

D229,618 S \* 12/1973 Teruachi ..... D14/211  
4,450,495 A \* 5/1984 Naruki ..... G11B 25/063  
224/574

**OTHER PUBLICATIONS**

YouTube—JBL EON 206P, announced Dec. 30, 2014 [online], [site visited Sep. 8, 2017]. Available from internet, URL: <https://www.youtube.com/watch?v=xDKUM8YVW1E>.\*

(Continued)

*Primary Examiner* — Keli L Hill

*Assistant Examiner* — Karra S Johnson

(74) *Attorney, Agent, or Firm* — Plumsea Law Group, LLC

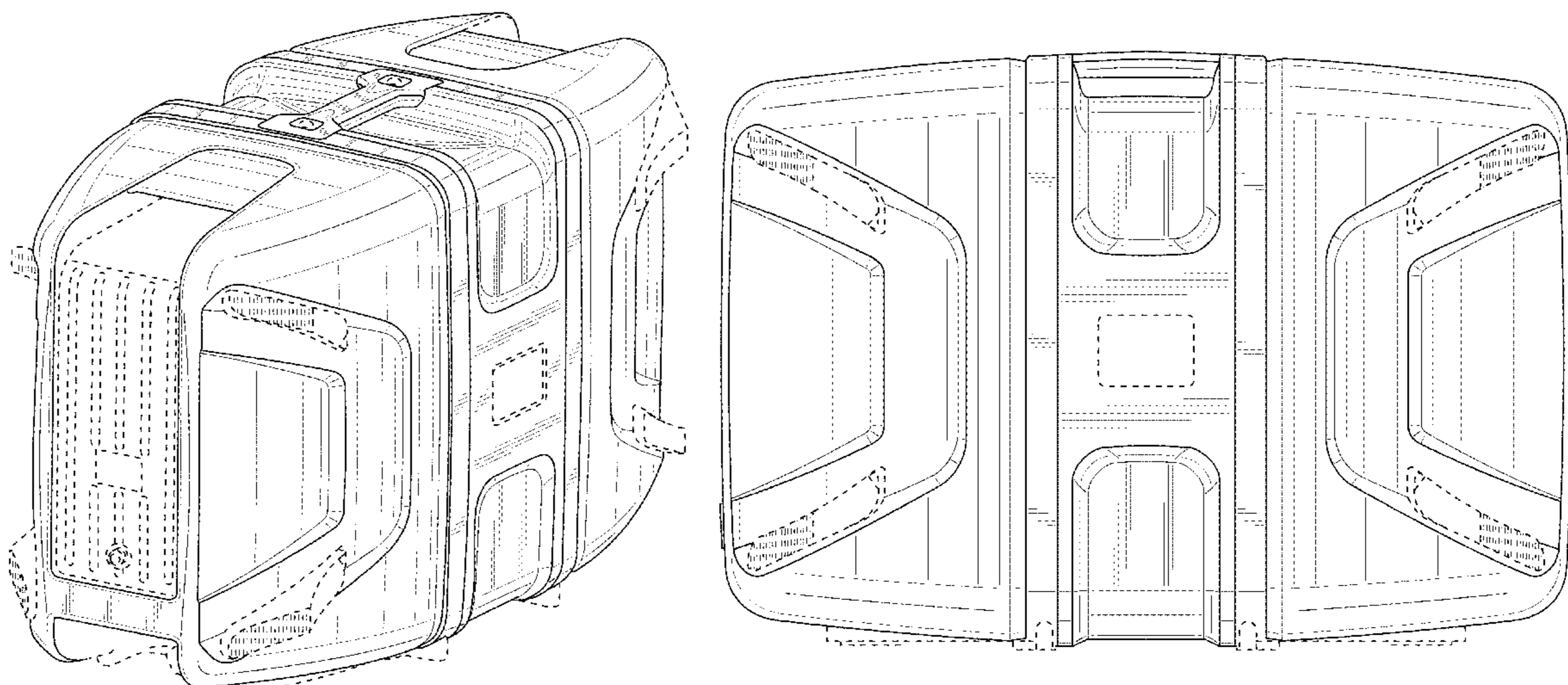
(57) **CLAIM**

The ornamental design for a public announcement system, as shown and described.

**DESCRIPTION**

FIG. 1 is a perspective view of a public announcement system showing our new design; FIG. 2 is a front elevational view thereof, the rear elevational view being a mirror image thereof; FIG. 3 is a side elevational view thereof, the opposite side elevational view being a mirror image thereof; FIG. 4 is a top plan view thereof; and, FIG. 5 is a bottom plan view thereof. The broken lines shown are included for the purpose of illustrating portions of the public announcement system that form no part of the claimed design.

**1 Claim, 5 Drawing Sheets**



(56)

**References Cited**

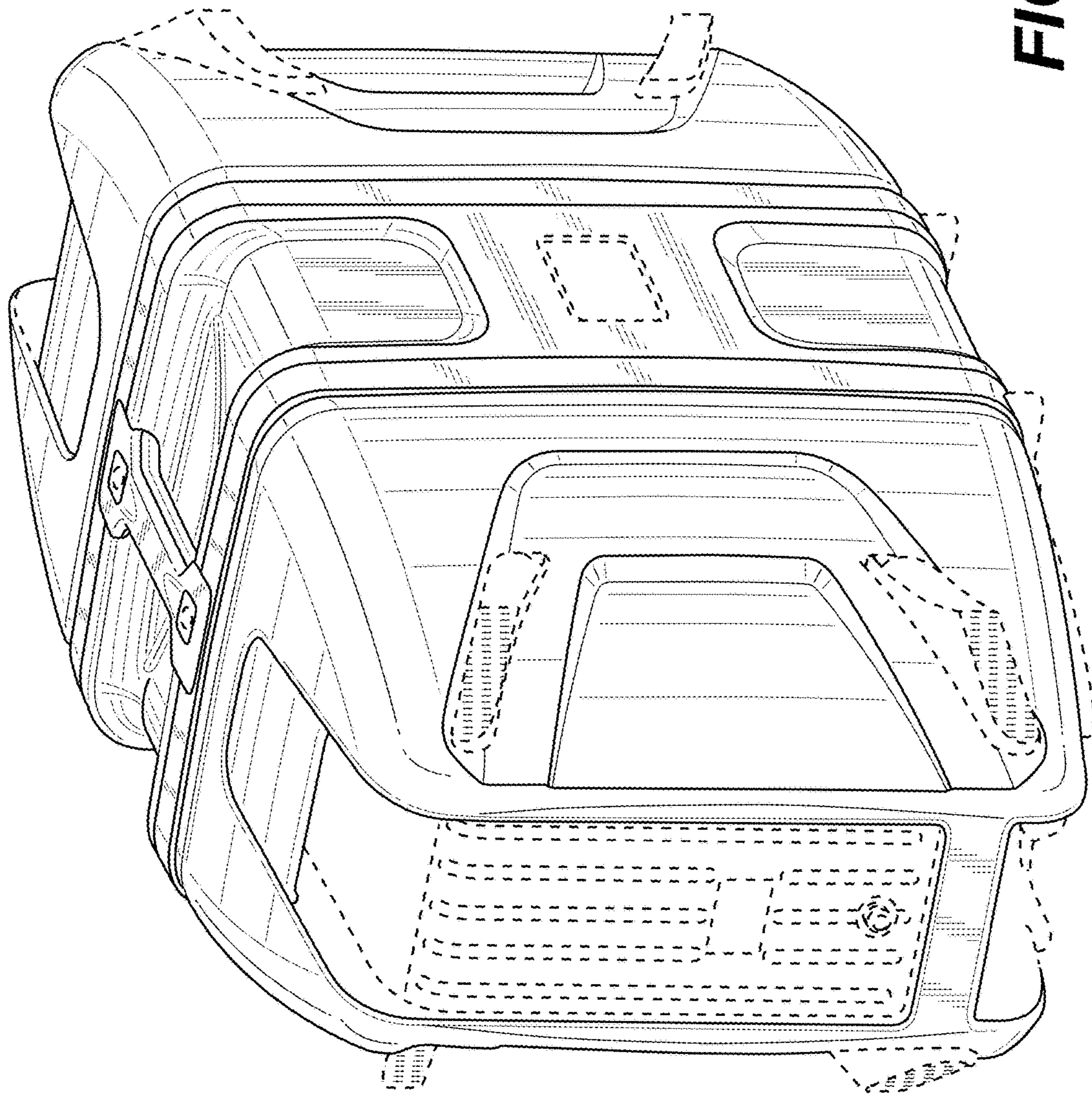
U.S. PATENT DOCUMENTS

D486,467	S	*	2/2004	Yuen	.....	D14/168
D494,606	S	*	8/2004	Krieger	.....	D15/81
D510,927	S	*	10/2005	Harris, Jr.	.....	D14/188
D531,777	S	*	11/2006	Richter	.....	D34/6
D599,324	S	*	9/2009	Shen	.....	D14/196
D609,214	S		2/2010	Hussey et al.		
D609,215	S	*	2/2010	Hussey	.....	D14/214
D609,217	S	*	2/2010	Manini	.....	D14/214
D636,332	S	*	4/2011	Hsu	.....	D13/109
D675,597	S	*	2/2013	Hawkins	.....	D14/210
D733,680	S		7/2015	Nugent		
D764,403	S	*	8/2016	Azuma	.....	D13/103
D788,550	S	*	6/2017	Waldron	.....	8/1
D790,512	S	*	6/2017	Lee	.....	D14/217
2005/0083639	A1	*	4/2005	Zick	.....	H01M 2/1016 361/600

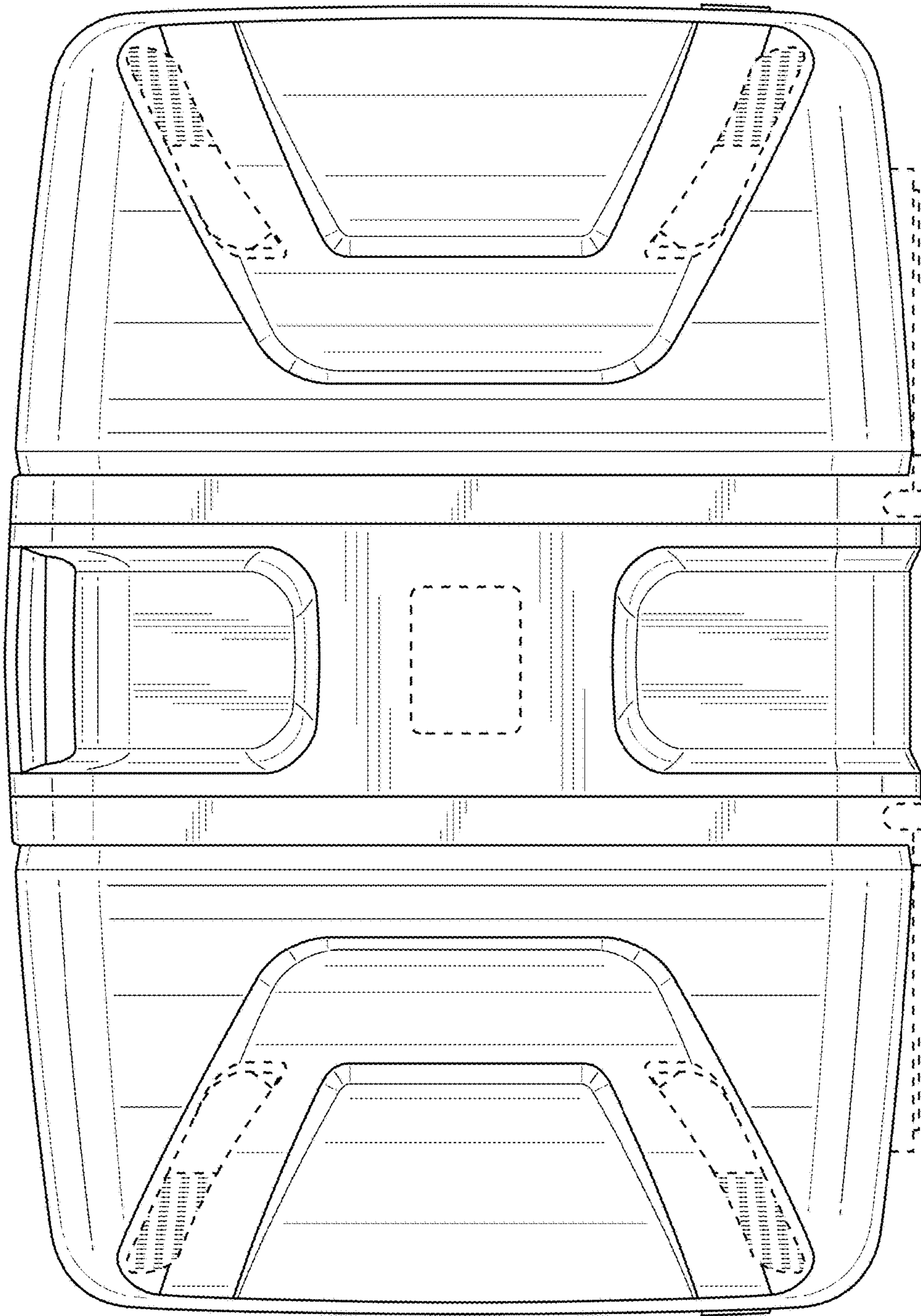
OTHER PUBLICATIONS

YouTube—Fender Portable PA System, announced Sep. 10, 2014 [online], [site visited Sep. 8, 2017]. Available from internet, URL: <<https://www.youtube.com/watch?v=plbAfXTxGnc>>.\*

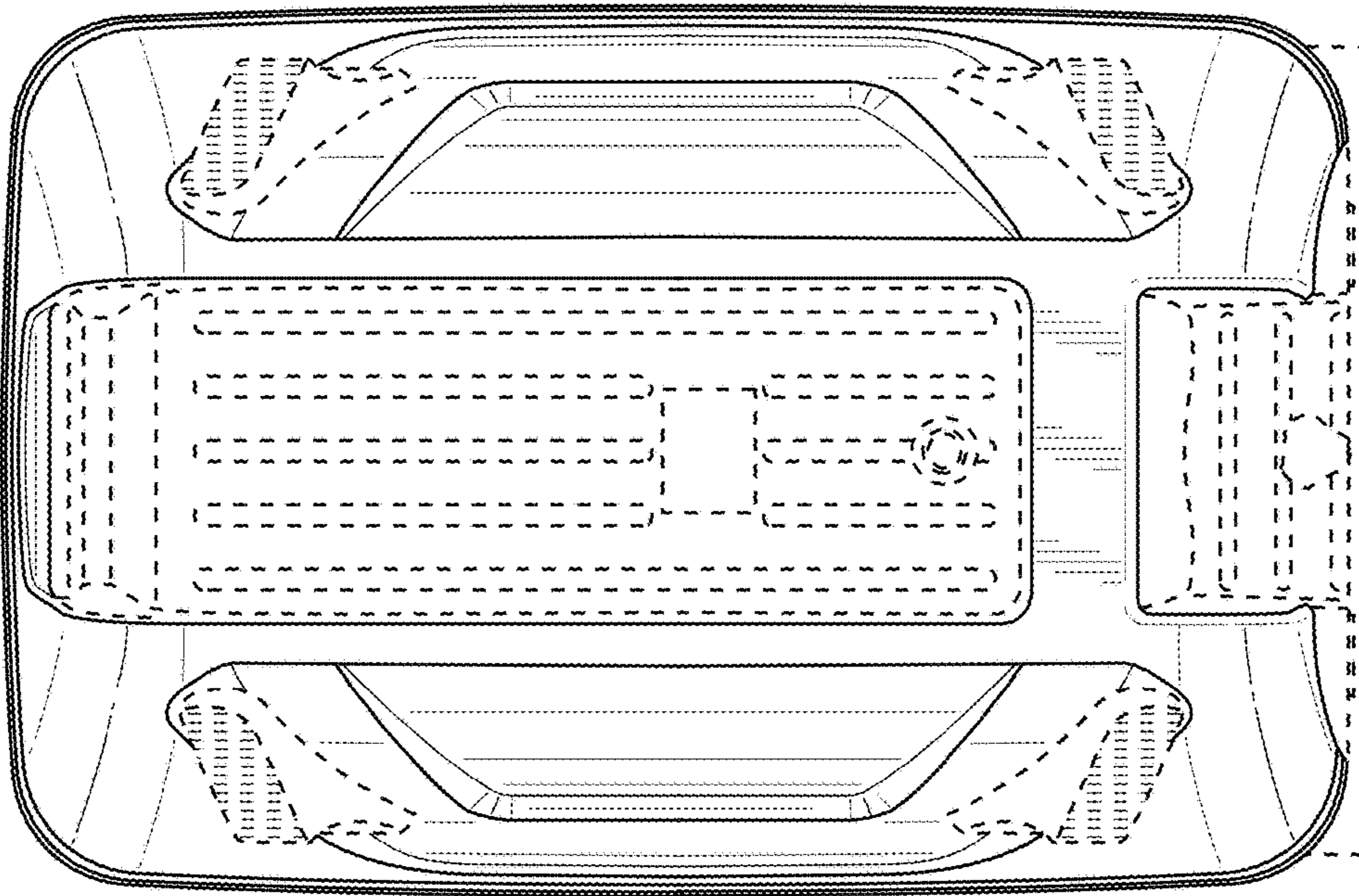
\* cited by examiner



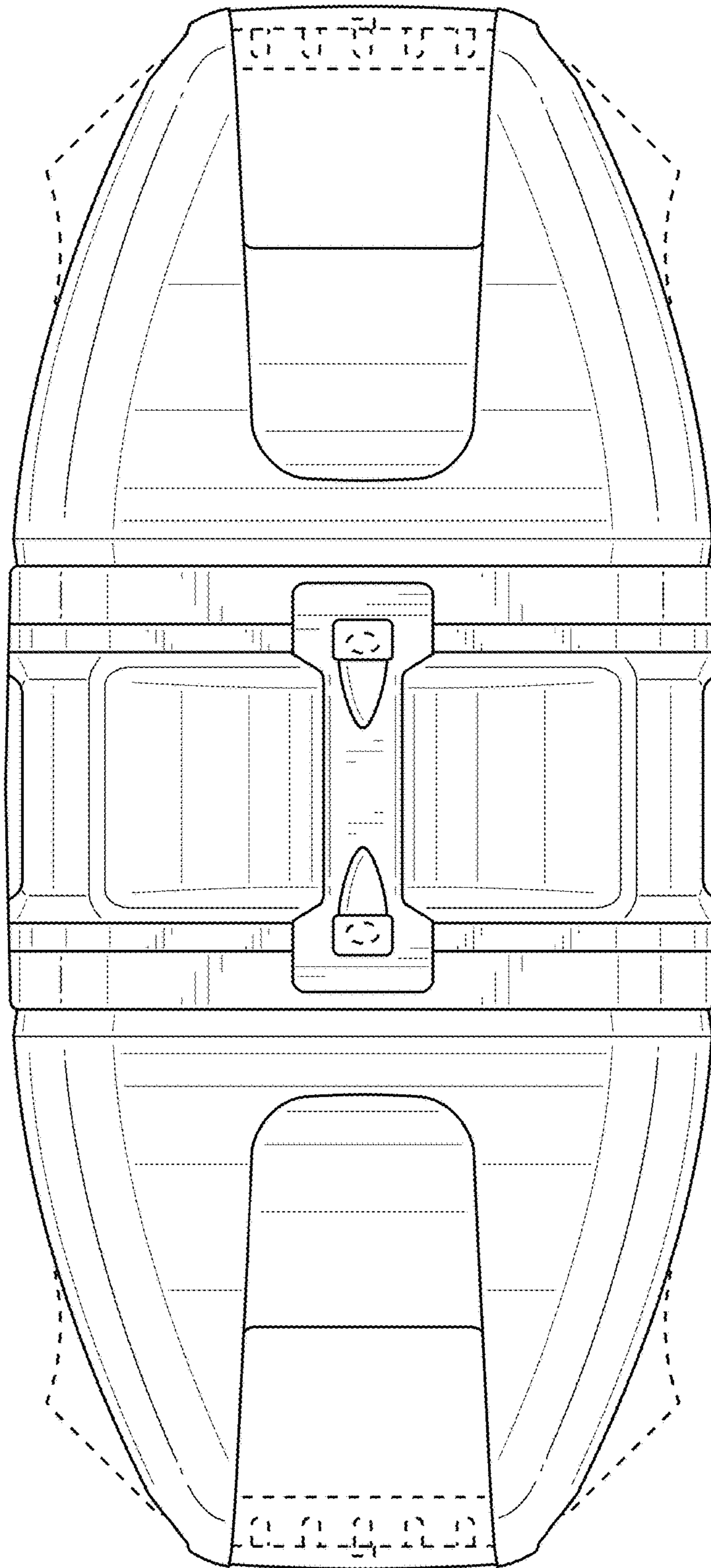
**FIG. 1**



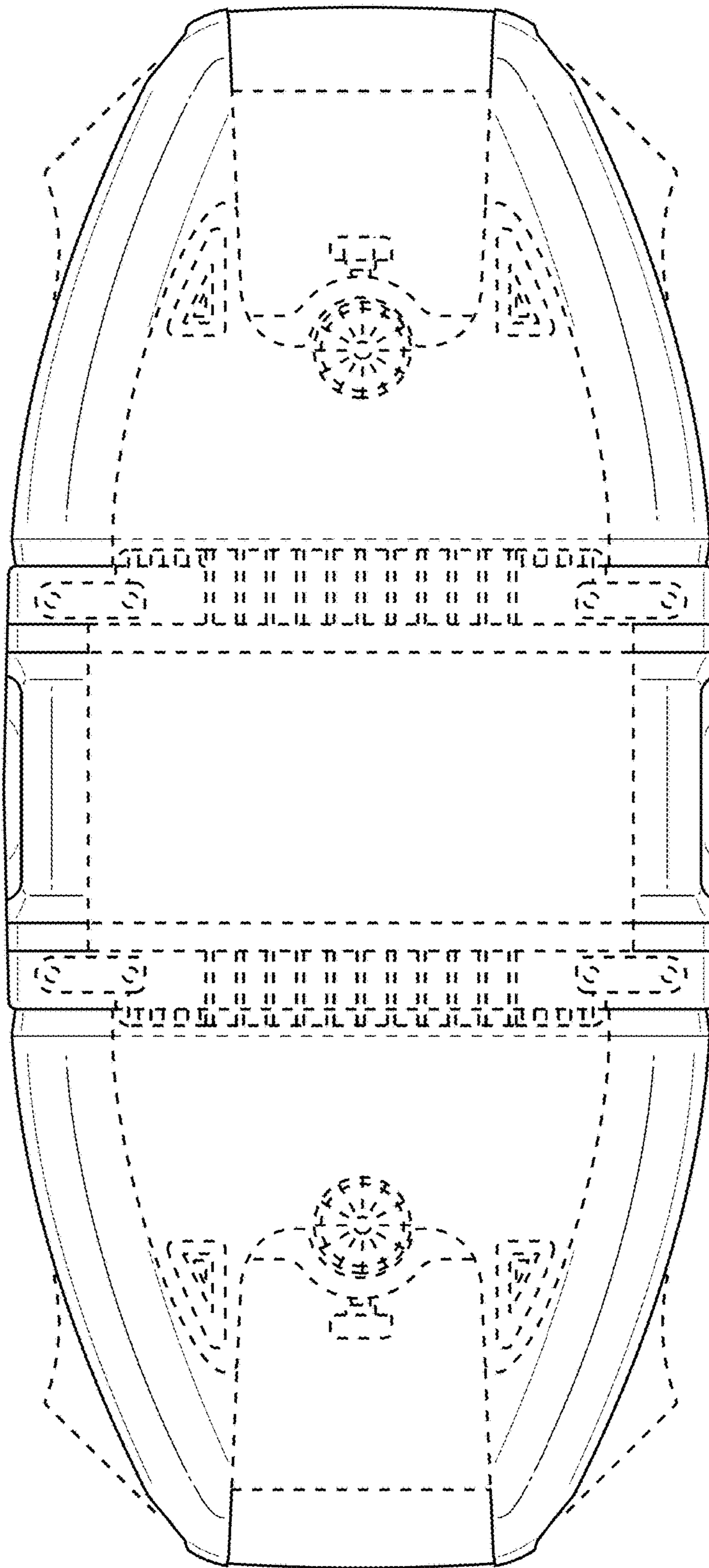
**FIG. 2**



**FIG. 3**



**FIG. 4**



**FIG. 5**