



US00D827607S

(12) **United States Design Patent**
Ando et al.

(10) **Patent No.:** **US D827,607 S**
(45) **Date of Patent:** **** *Sep. 4, 2018**

- (54) **HEADPHONE**
- (71) Applicant: **AUDIO-TECHNICA CORPORATION**, Tokyo (JP)
- (72) Inventors: **Kozo Ando**, Kanagawa (JP); **Shohei Araki**, Kanagawa (JP)
- (73) Assignee: **Audio-Technica Corporation**, Tokyo (JP)
- (*) Notice: This patent is subject to a terminal disclaimer.
- (**) Term: **15 Years**
- (21) Appl. No.: **29/592,560**
- (22) Filed: **Jan. 31, 2017**
- (30) **Foreign Application Priority Data**

Aug. 2, 2016 (JP) 2016-016539

- (51) **LOC (11) Cl.** **14-01**
- (52) **U.S. Cl.**
USPC **D14/205**

- (58) **Field of Classification Search**
USPC D14/205, 188, 192; D29/112; 2/209;
181/129, 130, 135; 381/380, 381, 374,
381/370, 378, 395, 379, 186; 455/90.3,
455/575.1, 569.1
CPC H04R 1/1066; H04R 1/1016; H04R 1/02;
H04R 1/1033; H04R 5/033; H04R
5/0335; H04R 1/1091; H04R 1/10; H04R
1/105; H04R 5/00; H04R 25/00
See application file for complete search history.

- (56) **References Cited**
U.S. PATENT DOCUMENTS

- 3,272,926 A * 9/1966 Falkenberg H04R 1/1008
381/370
- 3,505,684 A * 4/1970 Hutchinson A61F 11/14
2/209

- 3,562,816 A * 2/1971 Hutchinson A61F 11/14
2/209
- 3,787,899 A * 1/1974 Krawagna H04R 1/1066
2/209
- D255,352 S * 6/1980 Besasie D14/205
- 4,409,442 A * 10/1983 Kamimura H04R 5/0335
381/370
- 5,018,599 A * 5/1991 Dohi H04R 1/1008
181/129
- D317,767 S * 6/1991 Banks D14/205
- D328,074 S * 7/1992 Yamazaki D14/205
- D328,461 S * 8/1992 Daido D14/205
- D353,817 S * 12/1994 Wada D14/205
- D353,818 S * 12/1994 Nakamura D14/205
- 5,574,795 A * 11/1996 Seki H04R 5/0335
381/370
- D386,181 S * 11/1997 Fisher D14/192

(Continued)

Primary Examiner — Paula Allen Greene
(74) *Attorney, Agent, or Firm* — W&C IP

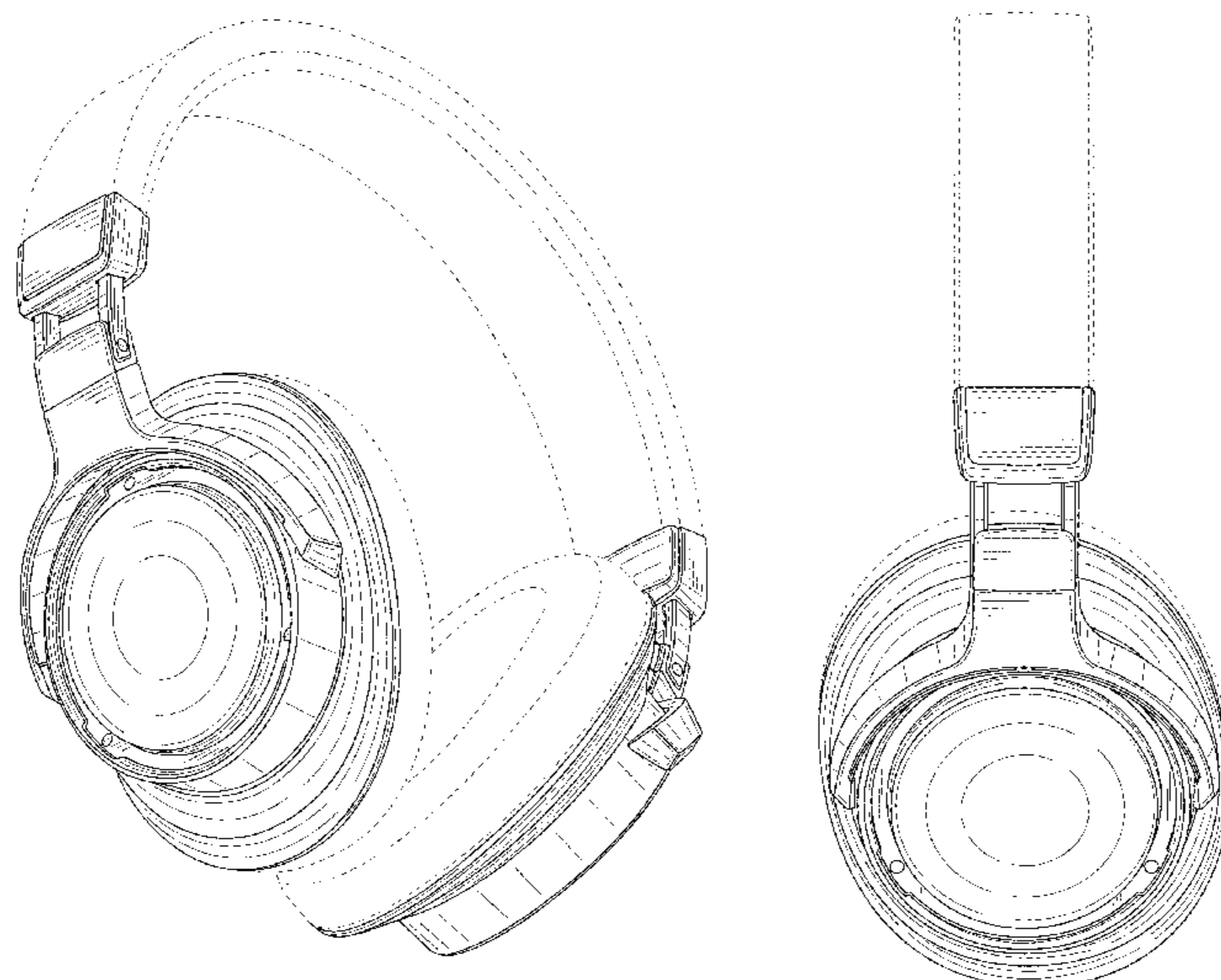
(57) **CLAIM**

We claim the ornamental design for a headphone, as shown and described.

DESCRIPTION

FIG. 1 is a perspective view of a headphone;
 FIG. 2 is a front elevational view of the headphone;
 FIG. 3 is a rear elevational view of the headphone;
 FIG. 4 is a top plan view of the headphone;
 FIG. 5 is a bottom plan view of the headphone;
 FIG. 6 is a left side elevational view of the headphone;
 FIG. 7 is a right side elevational view of the headphone;
 FIG. 8 is a right side perspective view of the headphone of FIG. 2 as seen from arrow 8 of FIG. 2; and,
 FIG. 9 is an enlarged partial end view of the headphone taken along line 9-9 of FIG. 8.
 Portions of the drawings shown in broken lines form no part of the claimed design.

1 Claim, 9 Drawing Sheets



(56)

References Cited

U.S. PATENT DOCUMENTS

5,862,241 A * 1/1999 Nelson H04R 1/105
381/374
D444,140 S * 6/2001 Ishibashi D14/192
D484,485 S * 12/2003 Matsuoka D14/205
D491,163 S * 6/2004 Green D14/205
D504,414 S * 4/2005 Yoshida D14/192
D541,255 S * 4/2007 Taylor D14/205
7,388,960 B2 * 6/2008 Kuo H04R 1/1041
379/430
7,412,070 B2 * 8/2008 Kleinschmidt H04R 1/1083
381/370
D581,394 S * 11/2008 Lee D14/205
D592,182 S * 5/2009 Sanguinetti D14/205
D592,639 S * 5/2009 Kuh D14/205
D593,995 S * 6/2009 Shimizu D14/205
D594,847 S * 6/2009 Suzuki D14/205
D603,370 S * 11/2009 Suzuki D14/205
D616,865 S * 6/2010 Marchand D14/205
D638,397 S * 5/2011 McManigal D14/205
D642,554 S * 8/2011 Schaal D14/205
8,325,962 B2 * 12/2012 Ishida H04R 5/0335
381/370
D684,559 S * 6/2013 Groset D14/205
D691,579 S * 10/2013 Lee D14/205
D696,643 S * 12/2013 Lee D14/205
D697,495 S * 1/2014 Lian D14/205
8,737,668 B1 * 5/2014 Blair H04R 1/1066
381/378

D707,200 S * 6/2014 Yang H04R 1/1066
D14/205
D720,721 S * 1/2015 Lu D14/205
D721,052 S * 1/2015 Carr D14/205
D734,297 S * 7/2015 Sasaki D14/205
D739,842 S * 9/2015 Birger D14/205
D750,041 S * 2/2016 Birger D14/205
D761,761 S * 7/2016 Ando D14/205
D768,110 S * 10/2016 Suzuki D14/205
D775,104 S * 12/2016 Lee D14/205
D787,470 S * 5/2017 Kelly D14/205
D795,218 S * 8/2017 Ohmachi D14/205
D795,835 S * 8/2017 Nagamine D14/205
D800,691 S * 10/2017 Ando D14/205
D802,556 S * 11/2017 Galler D14/205
D816,061 S * 4/2018 Ando D14/205
2001/0017925 A1 * 8/2001 Ceravolo H04M 1/05
381/370
2008/0069391 A1 * 3/2008 Steyn H04R 1/1025
381/371
2010/0034414 A1 * 2/2010 Miyata H04R 5/0335
381/374
2010/0310093 A1 * 12/2010 Semcken H04R 1/1058
381/104
2014/0205129 A1 * 7/2014 Blair H04R 1/1058
381/378
2016/0142813 A1 * 5/2016 Honda H04R 1/2849
381/370
2017/0041697 A1 * 2/2017 Levine H04R 1/1033

* cited by examiner

FIG. 1

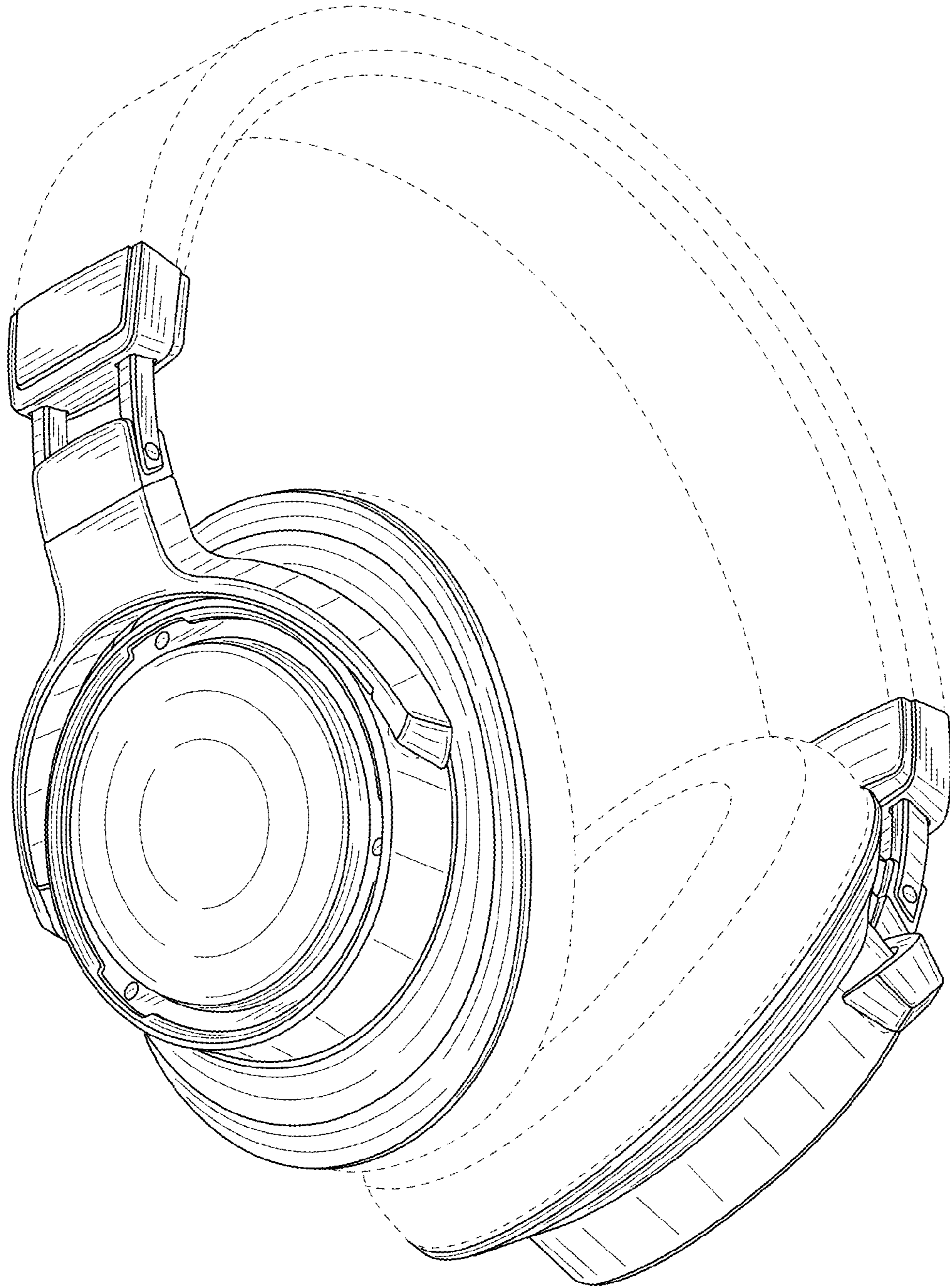


FIG. 2

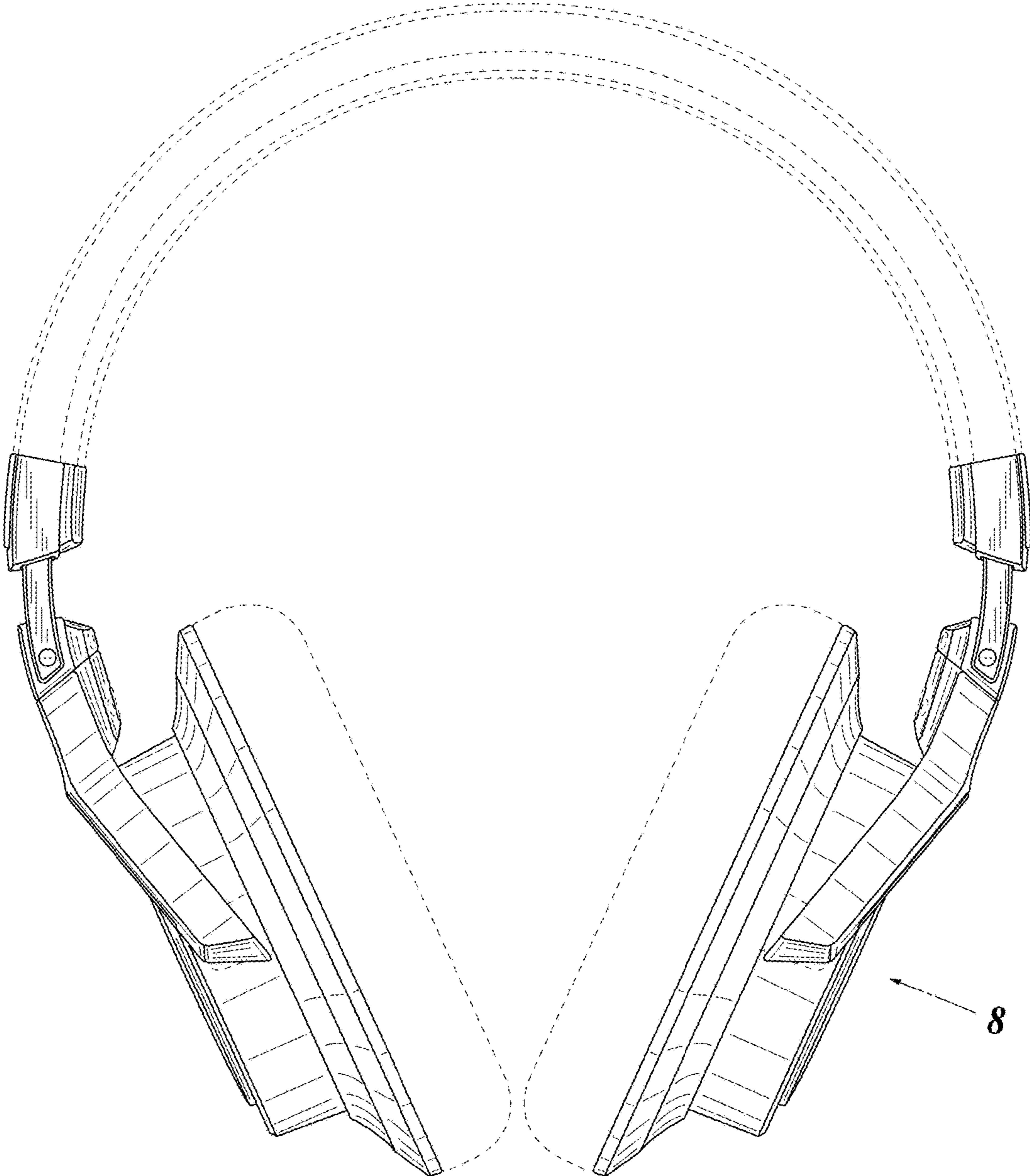


FIG. 3

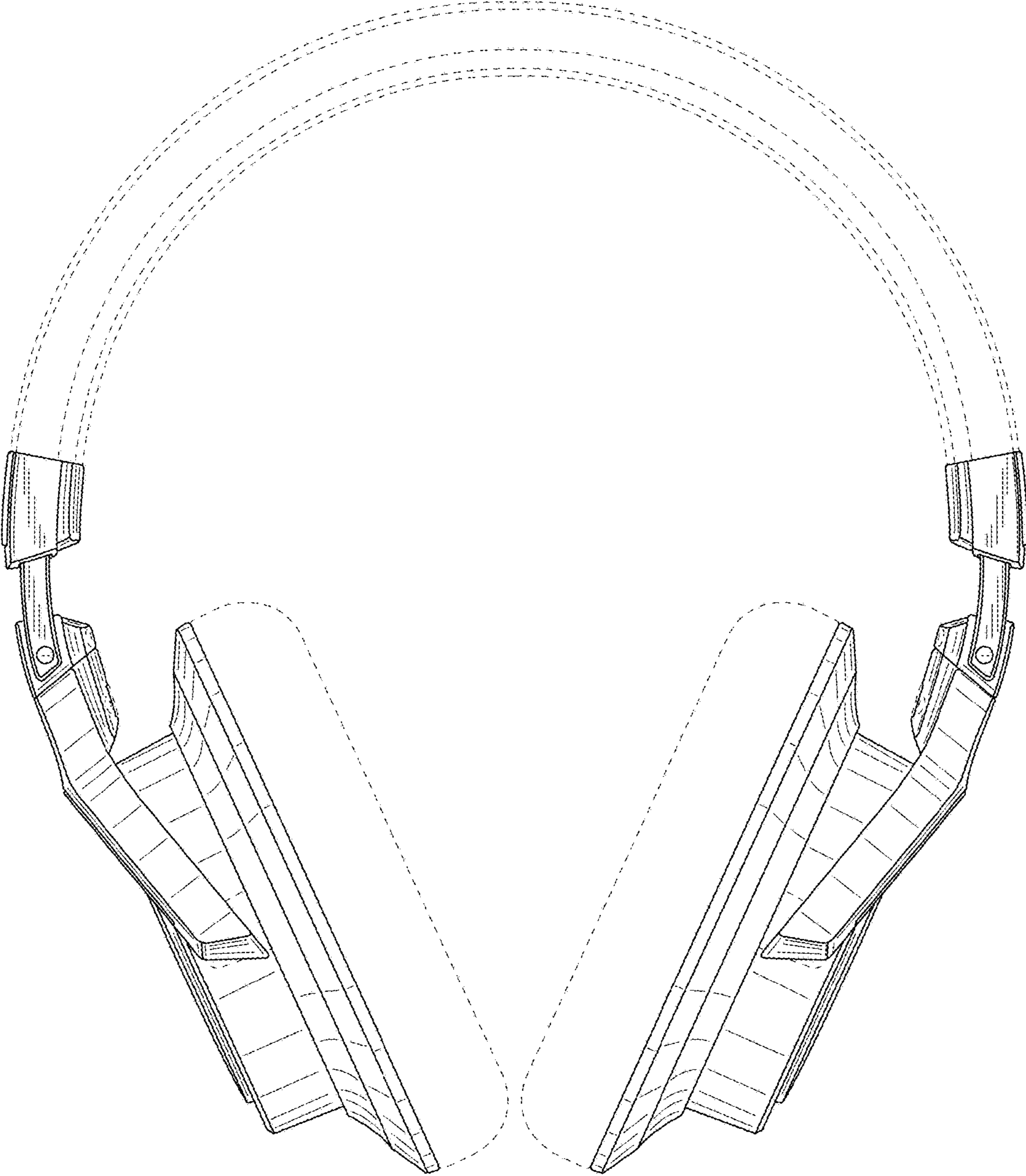


FIG. 4

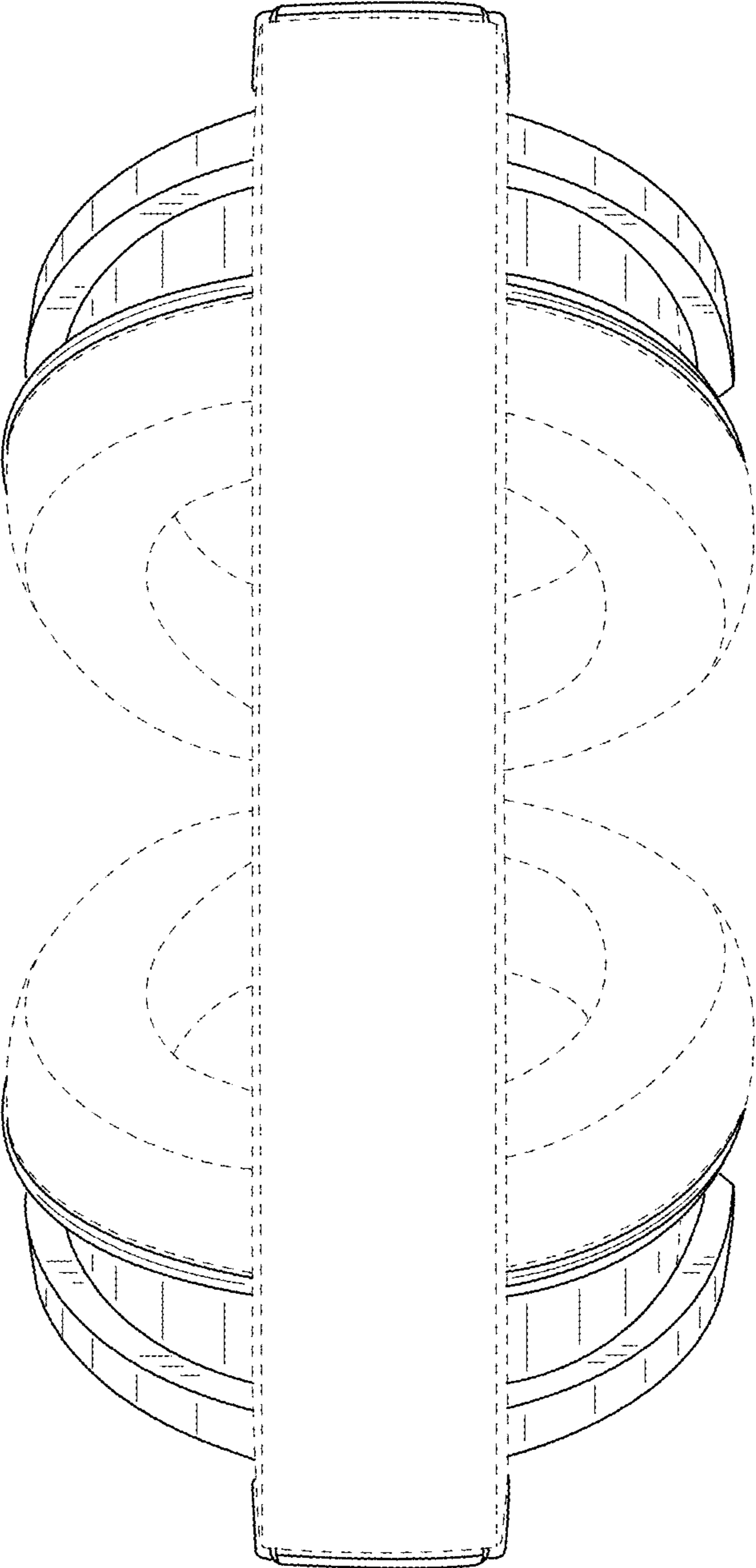


FIG. 5

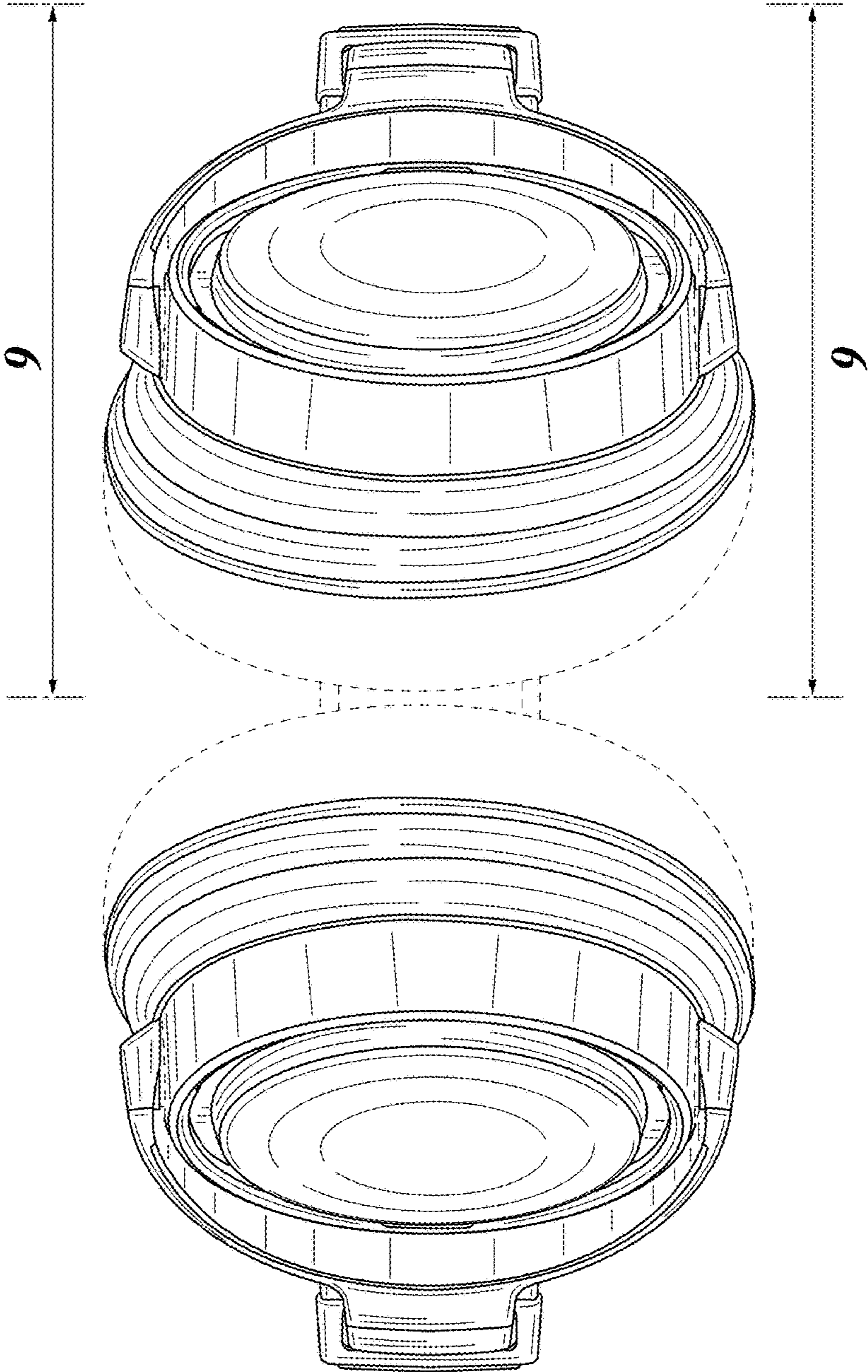


FIG. 6

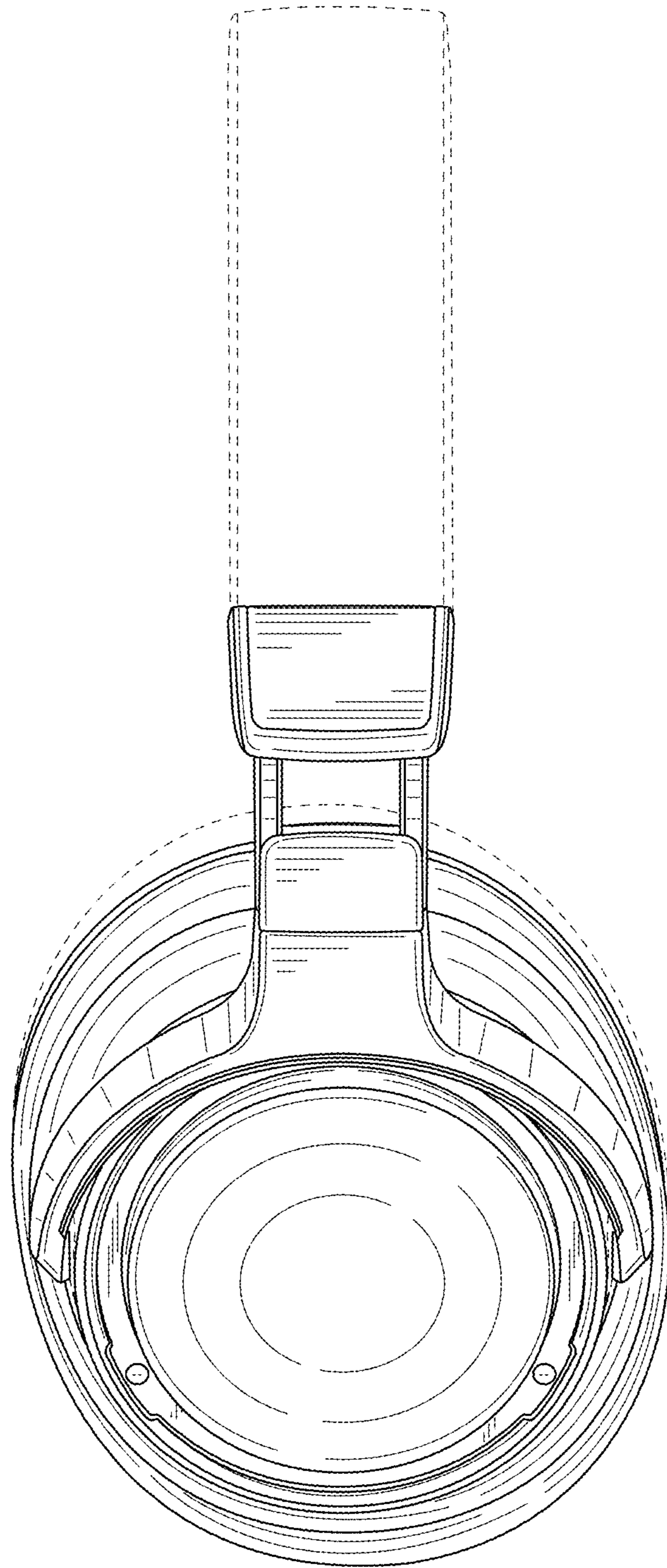


FIG. 7

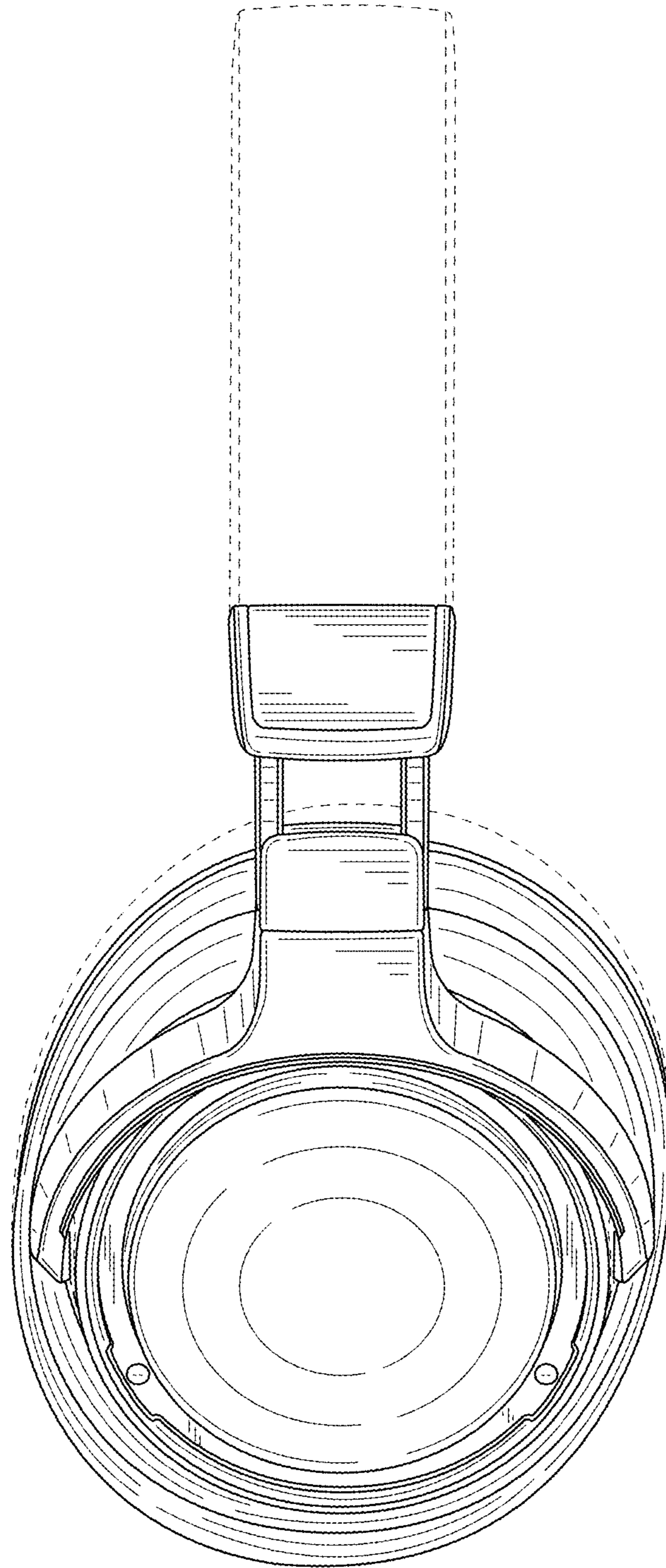


FIG. 8

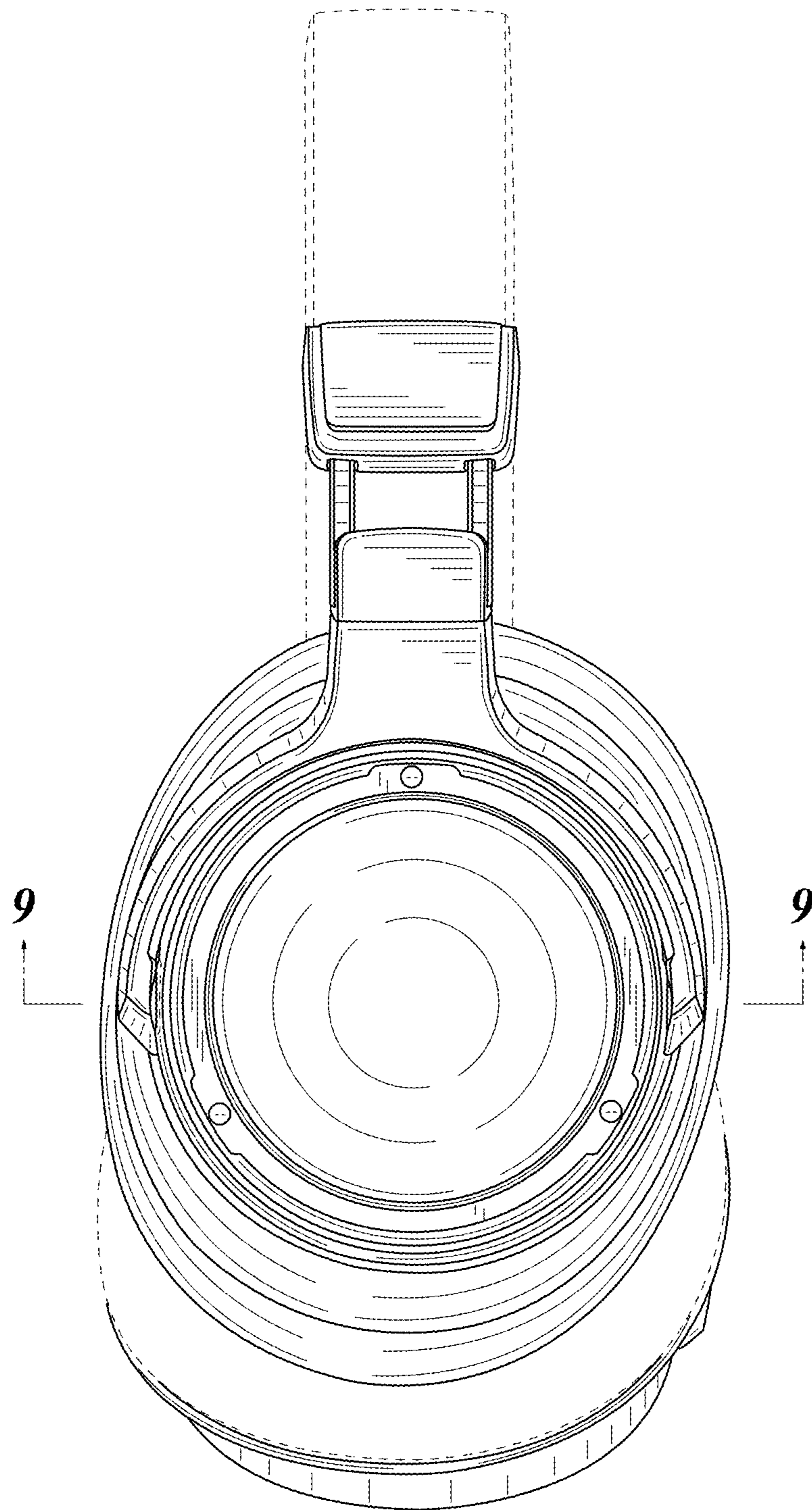


FIG. 9

