



US00D827606S

(12) **United States Design Patent** (10) **Patent No.:** **US D827,606 S**
Johnson (45) **Date of Patent:** **** Sep. 4, 2018**

- (54) **SOUND DEVICE**
- (71) Applicant: **London Johnson, Inc.**, Fishersville, VA (US)
- (72) Inventor: **Brian P. Johnson**, Fishersville, VA (US)
- (73) Assignee: **London Johnson, Inc.**, New York, NY (US)
- (**) Term: **15 Years**
- (21) Appl. No.: **29/563,463**
- (22) Filed: **May 4, 2016**
- (51) **LOC (11) Cl.** **14-01**
- (52) **U.S. Cl.**
USPC **D14/204**
- (58) **Field of Classification Search**
USPC D14/188, 203.1–203.8, 204, 209.1, D14/210–213, 215, 216; 181/144, 148, 181/153, 157, 198; 369/6–12; 381/301–303, 306, 332, 334, 336, 345, 381/361–363, 386–388
CPC G06F 1/1688; H04R 1/02; H04R 1/025; H04R 1/026; H04R 1/323; H04R 1/403; H04R 1/2803; H04R 1/2834; H04R 5/02; H04R 9/06; H04R 2201/021; H04R 2400/00; H04R 2400/07; H04R 2499/11
See application file for complete search history.

D563,994 S *	3/2008	Liu	D14/356
D583,358 S	12/2008	Joseph	
D605,625 S *	12/2009	Skurdal	D14/171
D622,258 S *	8/2010	Joseph	D10/2
D676,412 S	2/2013	Holzer	
D690,280 S *	9/2013	Schul	D14/168
D700,528 S *	3/2014	Joseph	D10/15
D707,202 S *	6/2014	McManigal	D14/214
D718,736 S *	12/2014	Thompson	D14/168
D725,624 S *	3/2015	Carney	D14/140
D726,682 S *	4/2015	Kim	D14/170
D726,766 S *	4/2015	Goodner	D14/188
D734,446 S *	7/2015	Salmon	D24/108
2013/0177198 A1 *	7/2013	Hogue	H04R 3/12 381/394

* cited by examiner

Primary Examiner — Derrick E Holland
Assistant Examiner — Janice Julia Patyk
(74) *Attorney, Agent, or Firm* — Perkins Coie LLP

(57) **CLAIM**

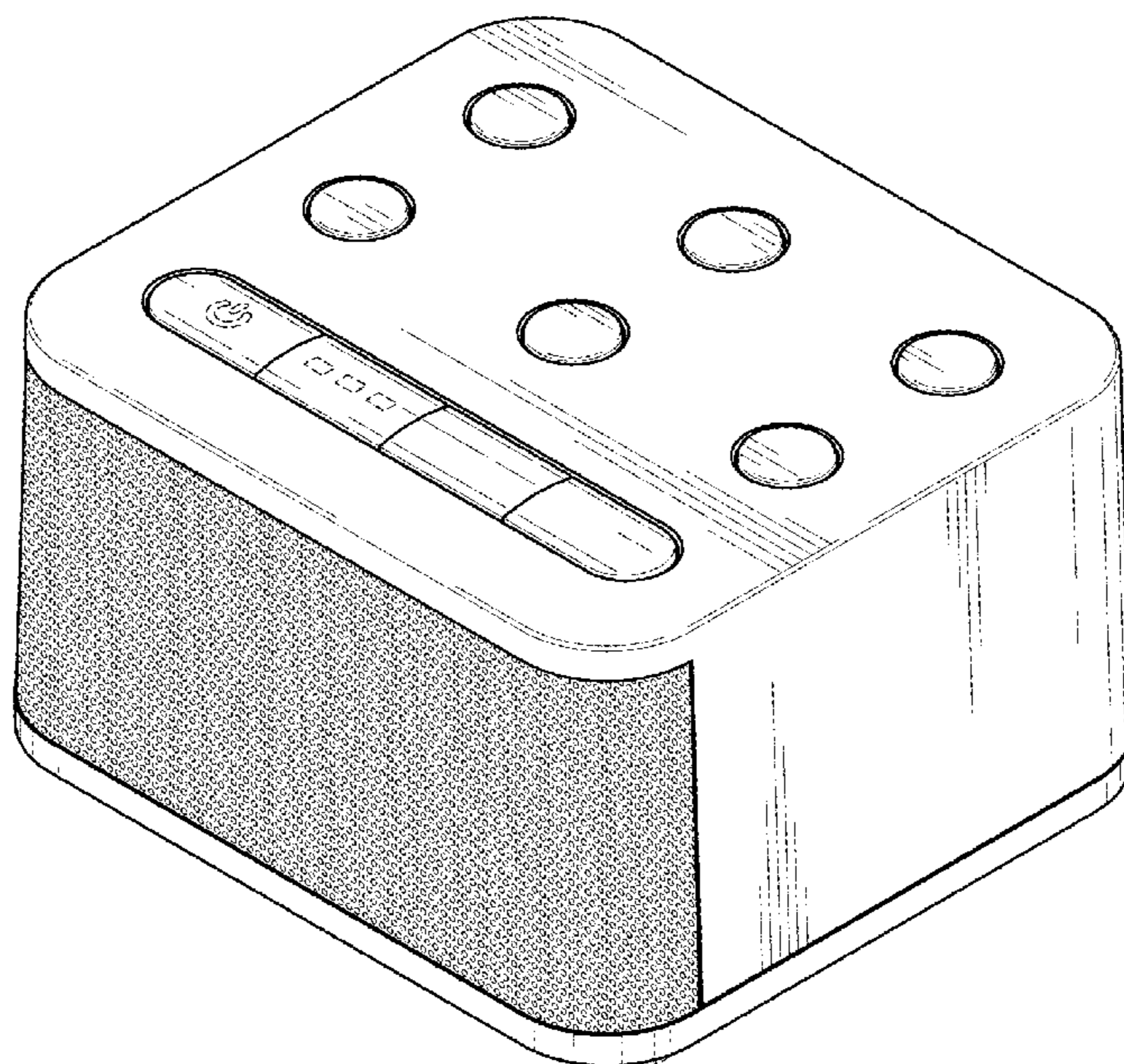
The ornamental design for a sound device, as shown and described.

DESCRIPTION

FIG. 1 is a perspective view of a sound device showing my design, as viewed from the top and front.
FIG. 2 is a top plan view thereof.
FIG. 3 is a bottom plan view thereof.
FIG. 4 is a front view thereof.
FIG. 5 is a back view thereof.
FIG. 6 is a side view thereof; and,
FIG. 7 is an opposite side view thereof.
The broken lines in the figures illustrate the portions of the design that form no part of the claimed design.

1 Claim, 4 Drawing Sheets

- (56) **References Cited**
U.S. PATENT DOCUMENTS
D557,256 S * 12/2007 Joseph D14/214
D561,168 S * 2/2008 Song D14/188



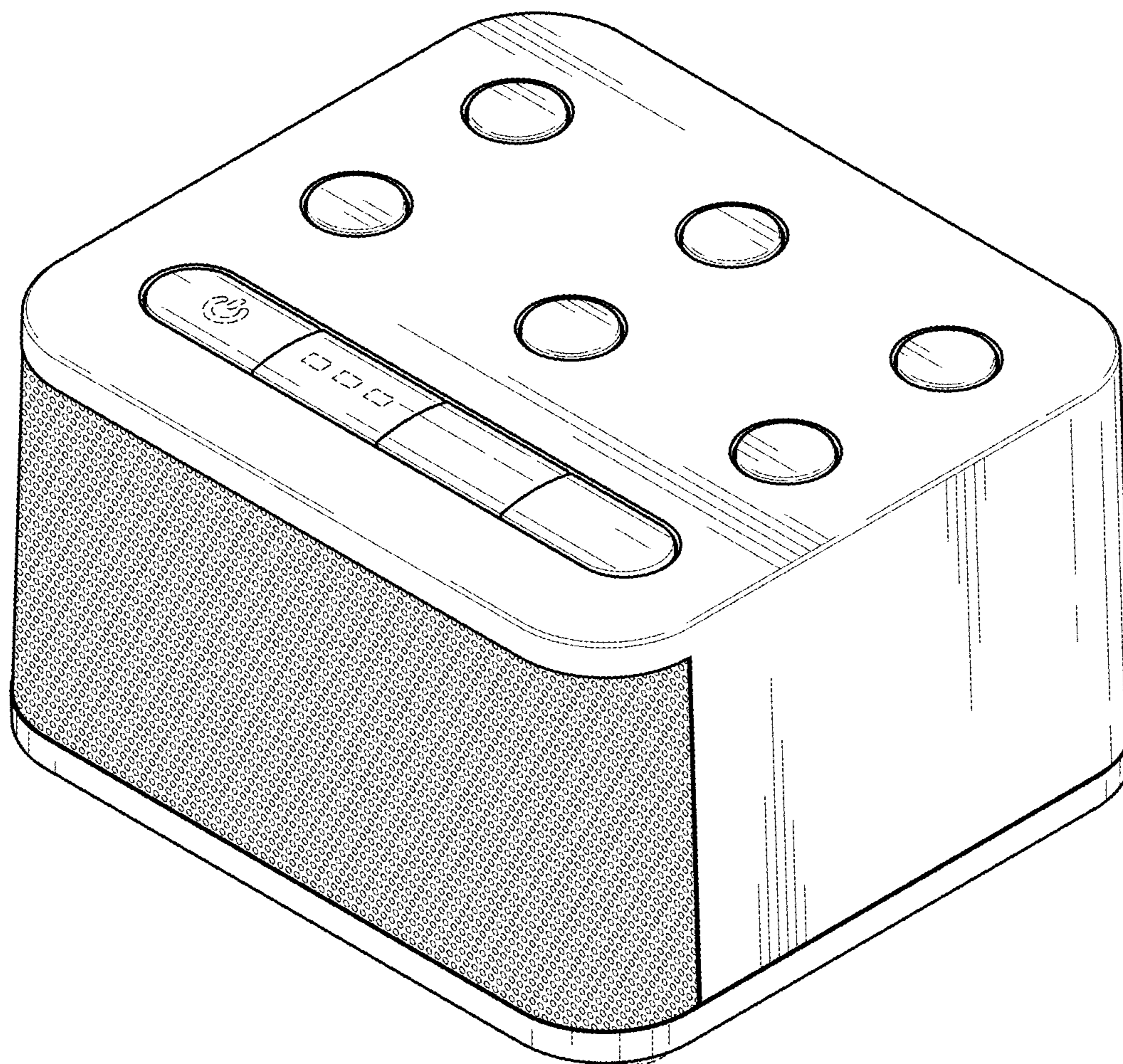


Fig. 1

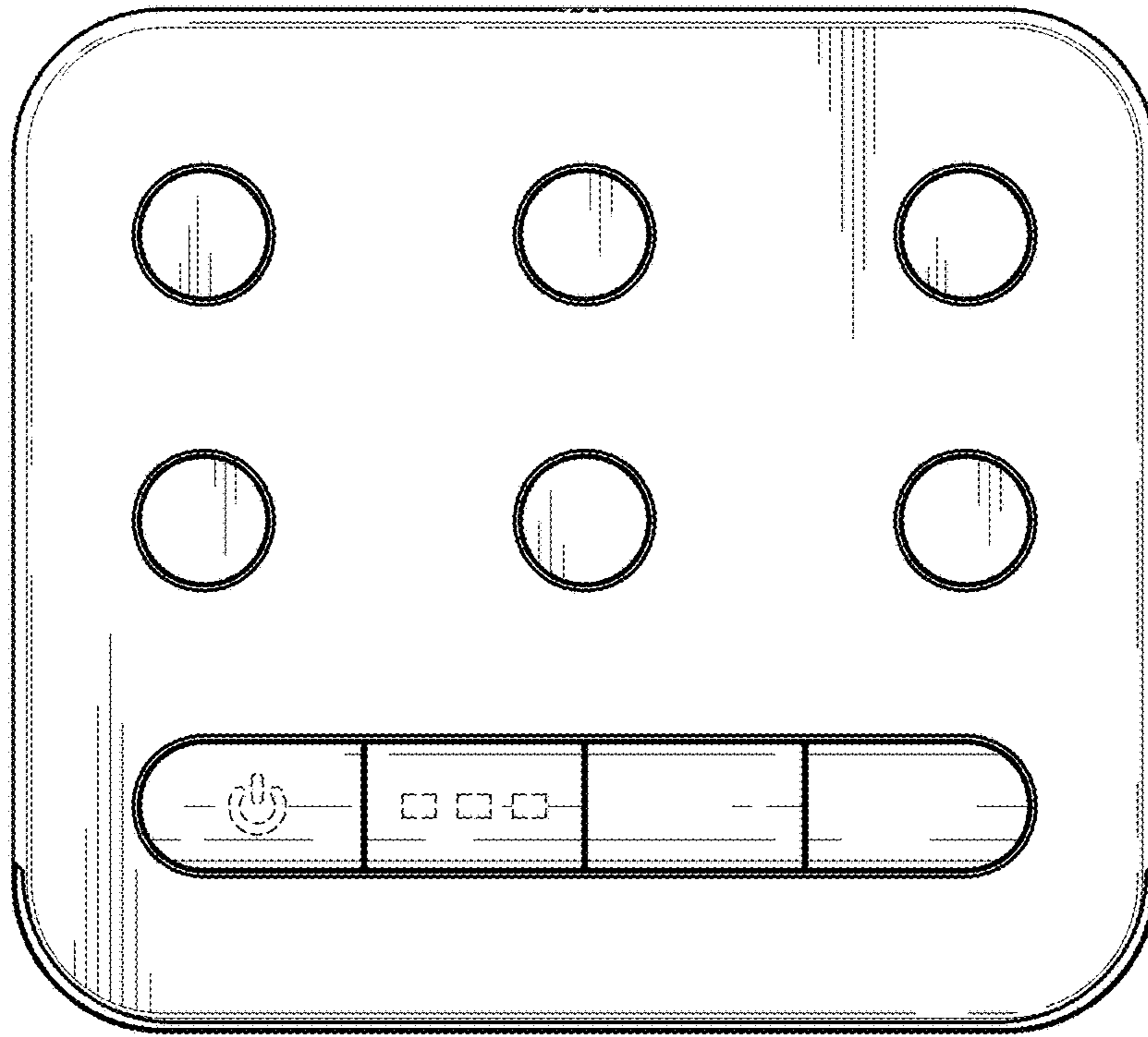


Fig. 2

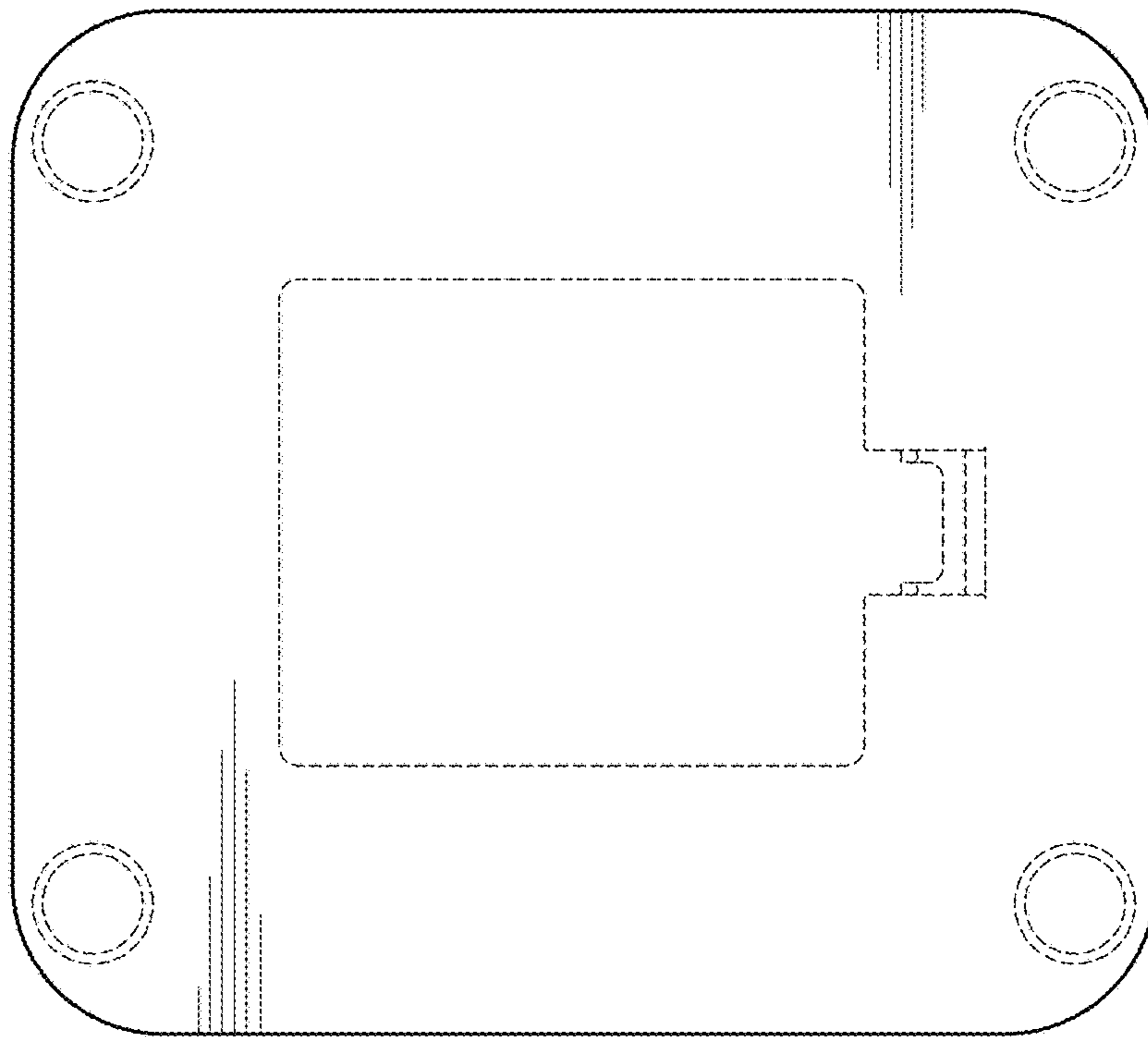


Fig. 3

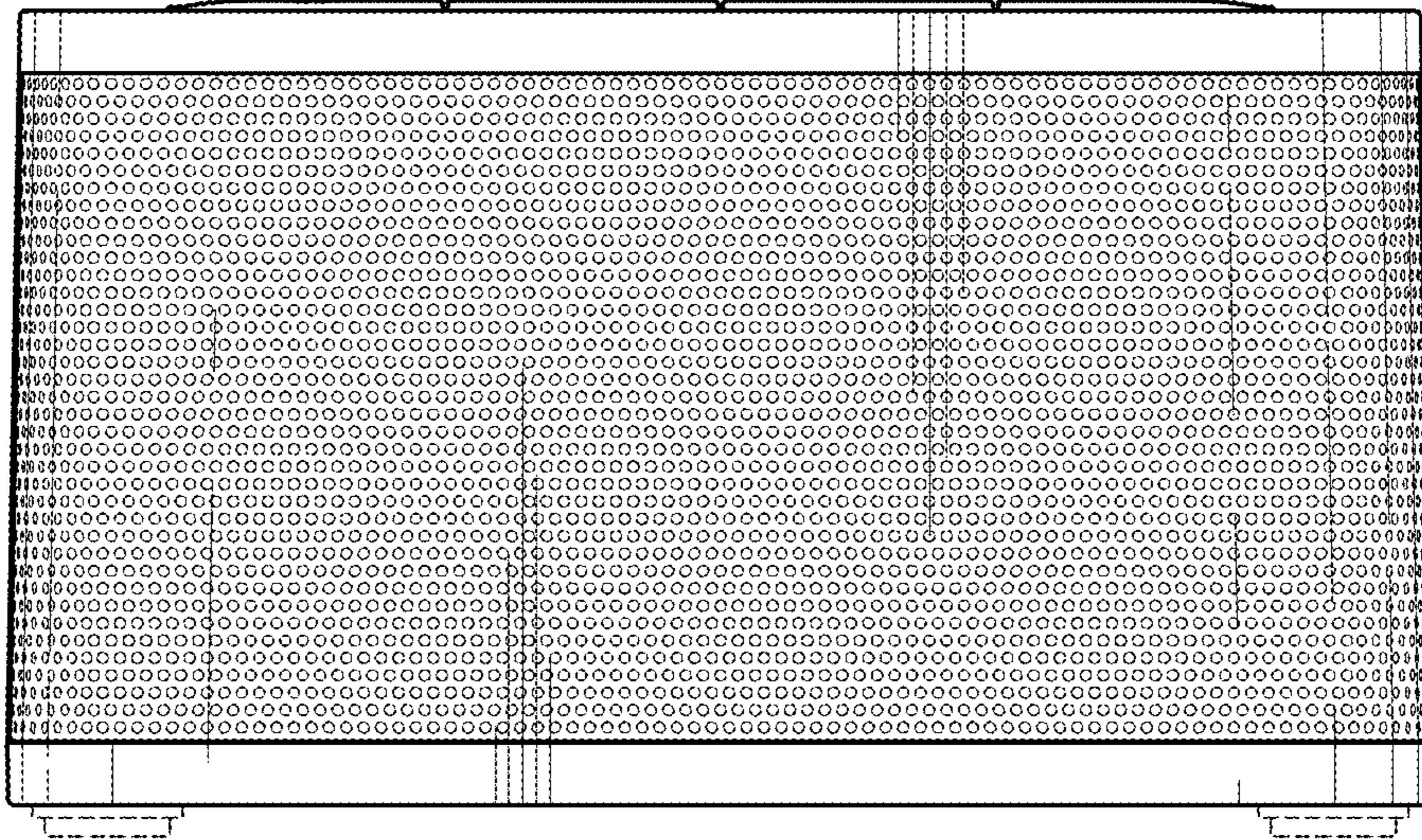


Fig. 4

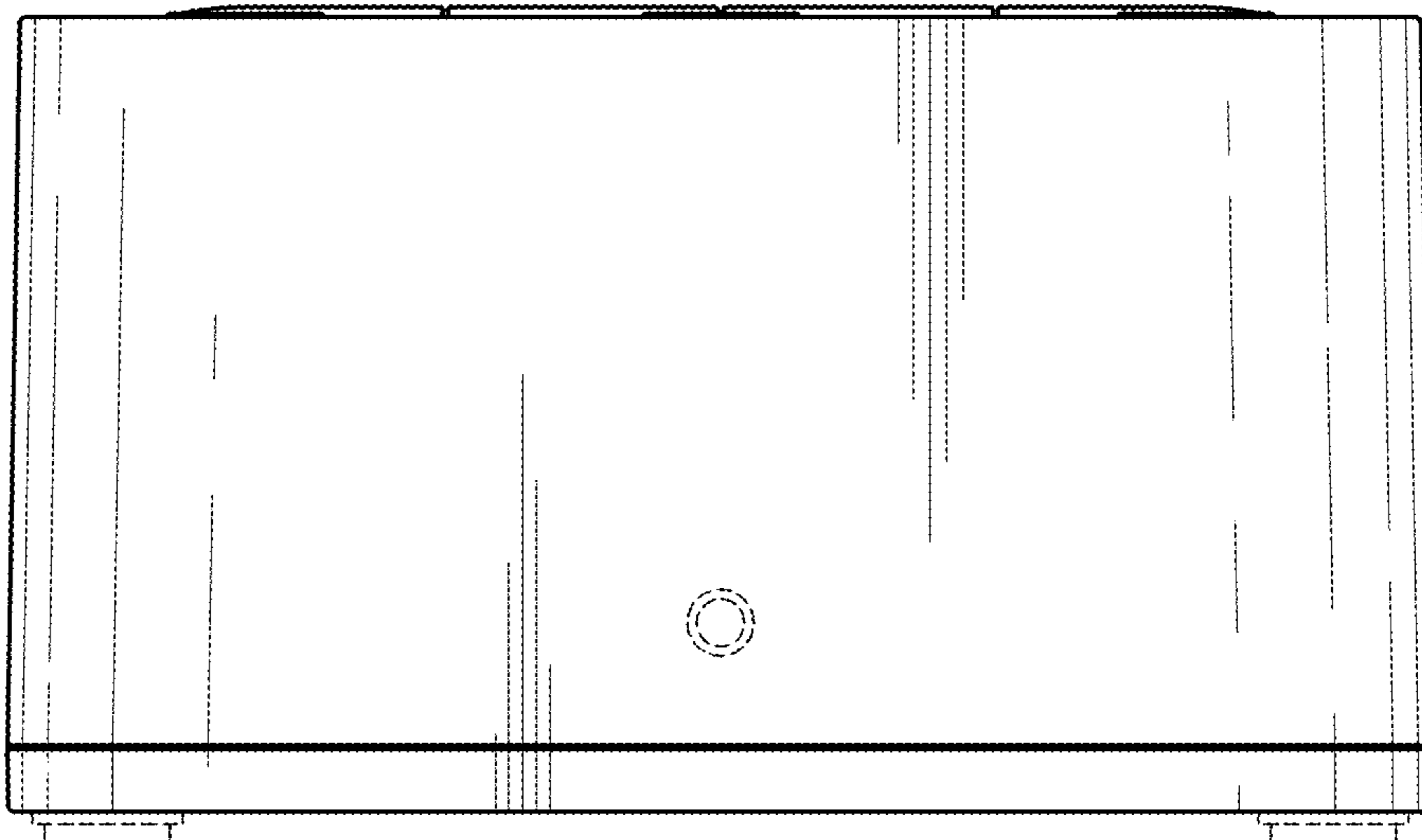


Fig. 5

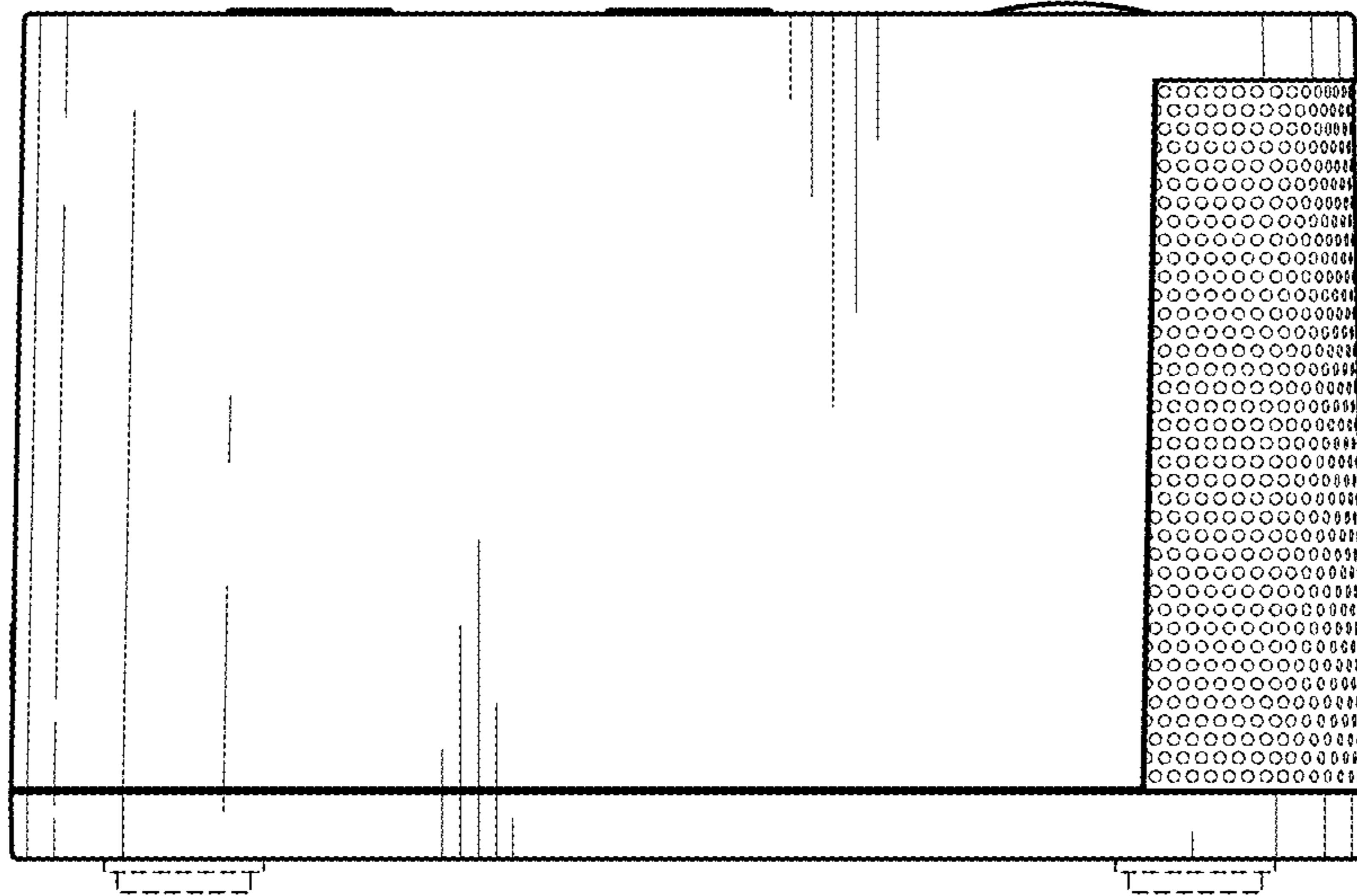


Fig. 6

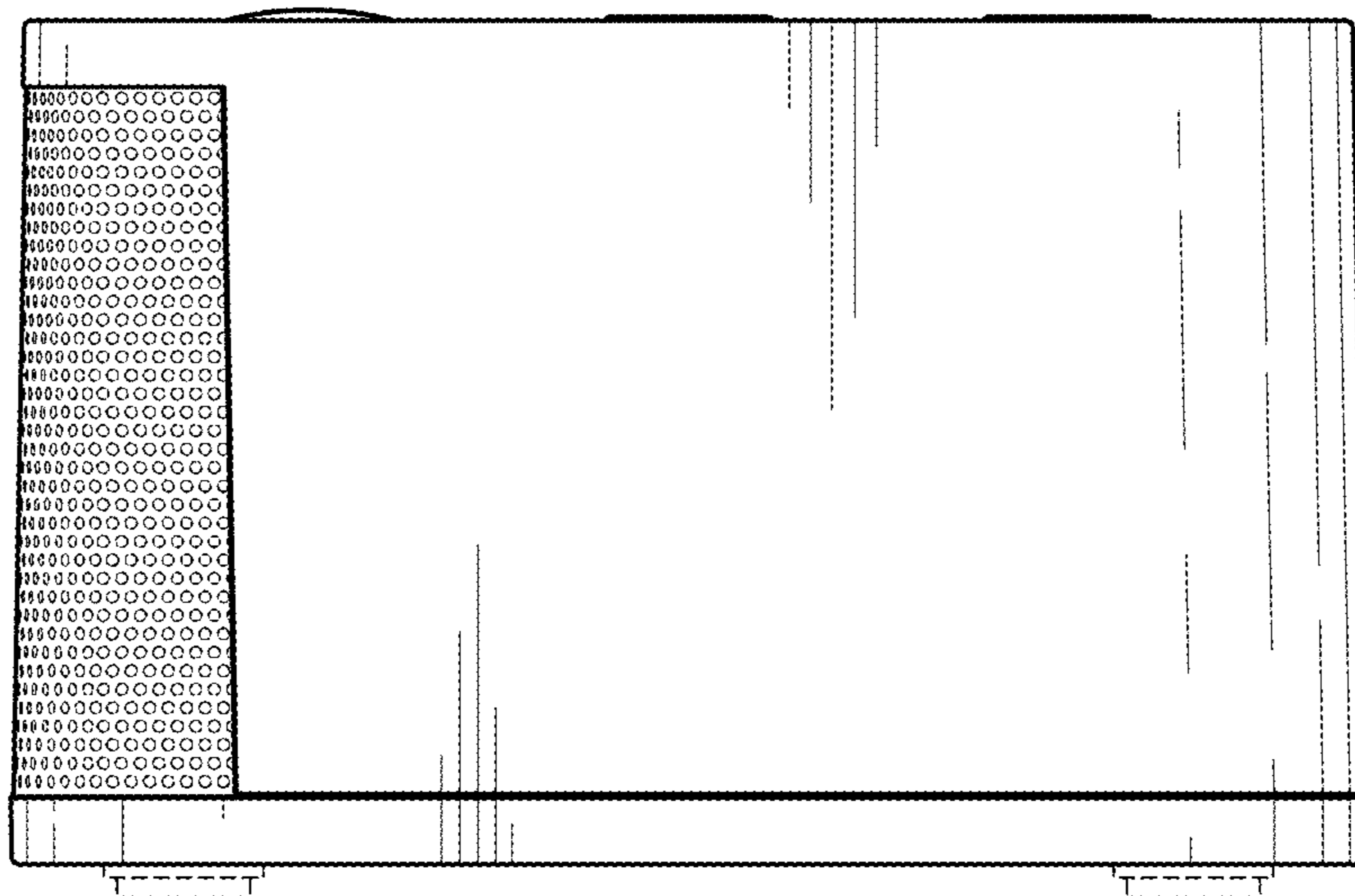


Fig. 7