

US00D827604S

(12) **United States Design Patent** (10) **Patent No.:** **US D827,604 S**
Seo et al. (45) **Date of Patent:** **** *Sep. 4, 2018**

(54) **MOBILE PHONE**

H04M 1/0237; H04M 1/0239; H04M 1/0266; H04M 1/0295

See application file for complete search history.

(71) Applicant: **LG ELECTRONICS INC.**, Seoul (KR)

(56) **References Cited**

(72) Inventors: **Kiyeal Seo**, Seoul (KR); **Seunghoon Ryu**, Seoul (KR); **Jinwan Bae**, Seoul (KR)

U.S. PATENT DOCUMENTS

D680,525 S * 4/2013 Deto D14/341
D681,000 S * 4/2013 Koh D14/203.4
(Continued)

(73) Assignee: **LG ELECTRONICS INC.**, Seoul (KR)

OTHER PUBLICATIONS

(*) Notice: This patent is subject to a terminal disclaimer.

Fresh Surface Phone Concept Has Foldable Body, by Kelvin on Concept Phones, Oct. 5, 2017, [online], [site visited Nov. 1, 2017]. Retrieved from url:<https://www.concept-phones.com/microsoft/fresh-surface-phone-concept-foldable-body-video/>.*

(Continued)

(**) Term: **15 Years**

Primary Examiner — Jeffrey D Asch

Assistant Examiner — Tracey J Bell

(21) Appl. No.: **29/574,790**

(74) *Attorney, Agent, or Firm* — Birch, Stewart, Kolasch & Birch, LLP

(22) Filed: **Aug. 18, 2016**

(30) **Foreign Application Priority Data**

(57) **CLAIM**

Feb. 19, 2016 (KR) 30-2016-0007807

The ornamental design for a mobile phone, as shown and described.

(51) **LOC (11) Cl.** **14-03**

DESCRIPTION

(52) **U.S. Cl.**

USPC **D14/138 AB**; D14/138 AD

(58) **Field of Classification Search**

USPC D14/138 AA, 138 AB, 138 AC, 138 AD, D14/138 C, 138 G, 138 R, 248, 341, 342, D14/345, 346, 203.1, 203.3, 203.7, 218, D14/329, 250, 315–318, 388, 389; D10/50; D18/6, 7

CPC . G06F 1/1652; H04M 1/0214; H04M 1/0218; H04M 1/0268; H04M 1/027; H04M 1/0202; H04M 1/0279; H04M 1/0235;

FIG. 1 is a perspective view of a mobile phone showing our new design;

FIG. 2 is a front view thereof;

FIG. 3 is a rear view thereof;

FIG. 4 is a left side view thereof;

FIG. 5 is a right side view thereof;

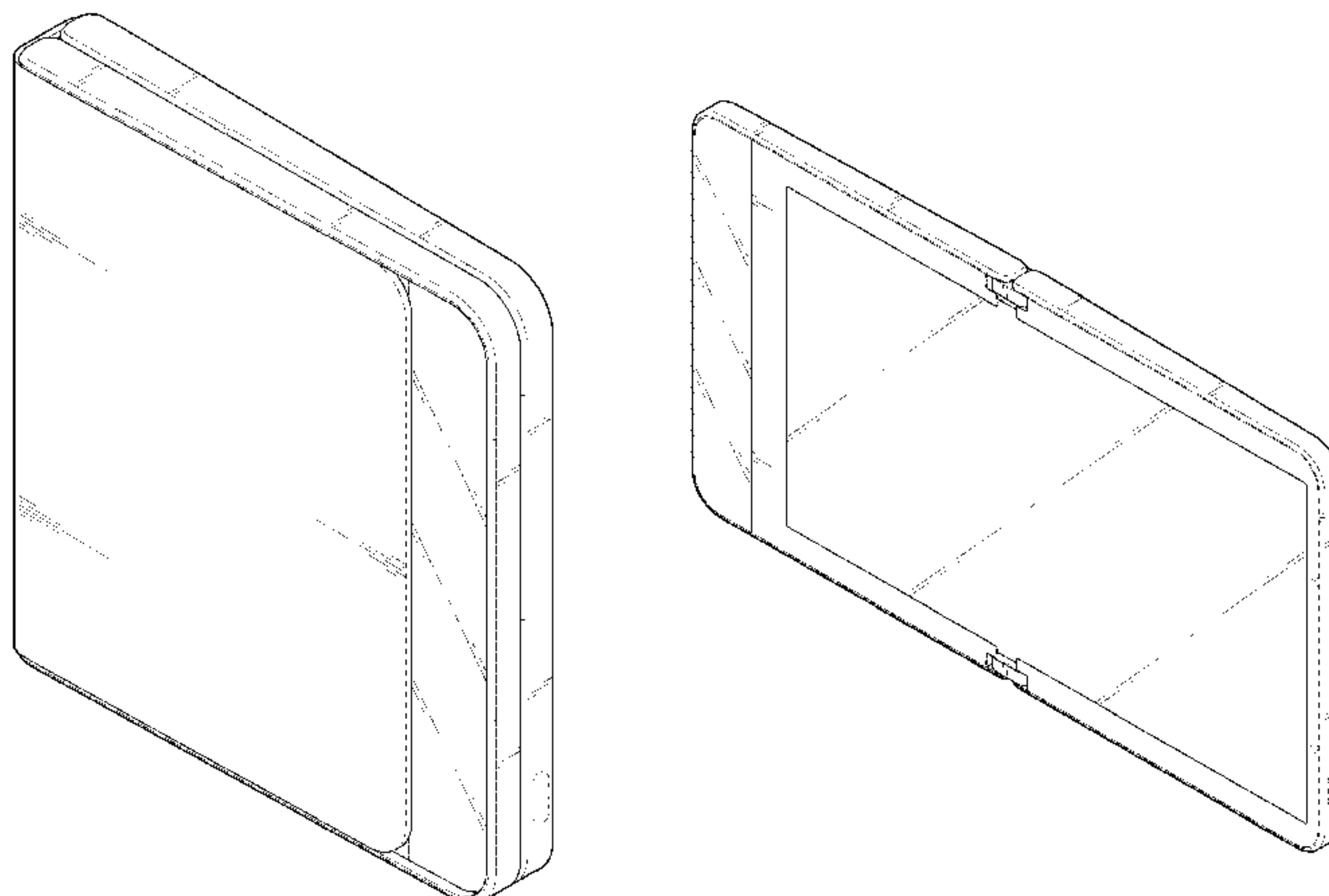
FIG. 6 is a top plan view thereof;

FIG. 7 is a bottom plan view thereof; and,

FIG. 8 is a perspective view thereof showing the state that the subject design is completely unfolded;

FIG. 9 is a perspective view thereof showing the state that when folding the subject design in half, the back cover part

(Continued)



is pushed aside and then the transparent part on the front left side can be seen at the back side; and, FIG. 10 is a front view thereof showing an example of the usage of the subject design. The appearance of the exterior in a fully opened position and the interior in a partially closed position forms no part of the claimed design.

1 Claim, 9 Drawing Sheets

(56)

References Cited

U.S. PATENT DOCUMENTS

9,213,428 B2 * 12/2015 Ma G06F 3/041
 D749,573 S * 2/2016 Park D14/203.4
 D749,574 S * 2/2016 Park D14/203.4
 D749,575 S * 2/2016 Park D14/203.4
 D754,657 S * 4/2016 Kim D14/345
 D757,717 S * 5/2016 Park D14/341
 D767,525 S * 9/2016 Byun D14/138 AB
 D778,253 S * 2/2017 Kwak D14/138 AB
 D782,436 S * 3/2017 Kwak D14/138 AB
 D788,773 S * 6/2017 Seo D14/345
 D788,774 S * 6/2017 Seo D14/345
 9,690,385 B2 * 6/2017 Becze G06F 3/017
 D800,112 S * 10/2017 Park D14/345
 D804,443 S * 12/2017 Kang D14/138 AB
 D807,854 S * 1/2018 Seo D14/138 AB
 D807,855 S * 1/2018 Seo D14/138 AB
 D807,856 S * 1/2018 Seo D14/138 AB
 D815,055 S * 4/2018 Seo D14/138 AB
 2011/0074655 A1 * 3/2011 Tan H04M 1/0214
 345/1.1
 2013/0307816 A1 * 11/2013 Lee G06F 1/1652
 345/174
 2013/0342090 A1 * 12/2013 Ahn G09F 9/33
 312/258
 2015/0160698 A1 * 6/2015 Tsukamoto G06F 1/1616
 345/1.3
 2015/0233162 A1 * 8/2015 Lee H04M 1/02
 16/223
 2015/0338888 A1 * 11/2015 Kim G06F 1/1677
 345/156

2016/0011628 A1 * 1/2016 Sato G06F 1/1656
 361/679.3
 2016/0085271 A1 * 3/2016 Morrison G06F 1/1681
 361/679.27
 2016/0147263 A1 * 5/2016 Choi G06F 1/1652
 361/679.3
 2016/0155967 A1 * 6/2016 Lee G06F 3/0412
 257/88
 2016/0334836 A1 * 11/2016 Hong G06F 1/1616
 2017/0123558 A1 * 5/2017 Hong G09G 3/001
 2017/0185289 A1 * 6/2017 Kim G06F 1/1641
 2017/0206863 A1 * 7/2017 An G06F 1/1652
 2017/0278900 A1 * 9/2017 Yang H01L 27/3272

OTHER PUBLICATIONS

Lenovo Folio is a Foldable Tablet That Actually Works, by Kelvin on Concept Phones, Jul. 22, 2017, [online], [site visited Nov. 1, 2017]. Retrieved from url:<https://www.concept-phones.com/lenovo/lenovo-folio-foldable-tablet-works-video/>.*

Microsoft Surface Note is Basically the Surface Phone Courier We Want, by Kelvin on Concept Phones, Jun. 18, 2017, [online], [site visited Nov. 1, 2017]. Retrieved from url:<https://www.concept-phones.com/microsoft/microsoft-surface-note-basically-surface-phone-courier/>.*

Lunark is a Dual Folding Smartphone With a Special Hinge Included, by Kelvin on Concept Phones, Aug. 26, 2015, [online], [site visited Nov. 1, 2017]. Retrieved from url:<https://www.concept-phones.com/cool-concepts/lunark-dual-folding-smartphone-special-hinge-included/>.*

Probably the Most Beautiful Samsung Galaxy S5 Render is Here, With Folding Display, by Thyrstan on Concept Phones, Sep. 2, 2013, [online], [site visited Nov. 1, 2017]. Retrieved from url:<https://www.concept-phones.com/samsung/beautiful-samsung-galaxy-s5-render-folding-display/>.*

Samsung Galaxy S5 Concept is a Folding Device; 3D Detailed Render Here, by Thyrstan on Concept Phones, Apr. 29, 2013, [online], [site visited Nov. 1, 2017]. Retrieved from url:<https://www.concept-phones.com/samsung/samsung-galaxy-s5-concept-folding-device-3d-detailed-render/>.*

Youm Flexible OLED Display Commercial: Samsung CES 2013, Jan. 9, 2013, [online], [site visited Nov. 18, 2017]. Retrieved from url:<https://www.youtube.com/watch?v=6OYTyl3ipgk>.*

* cited by examiner

FIG. 1

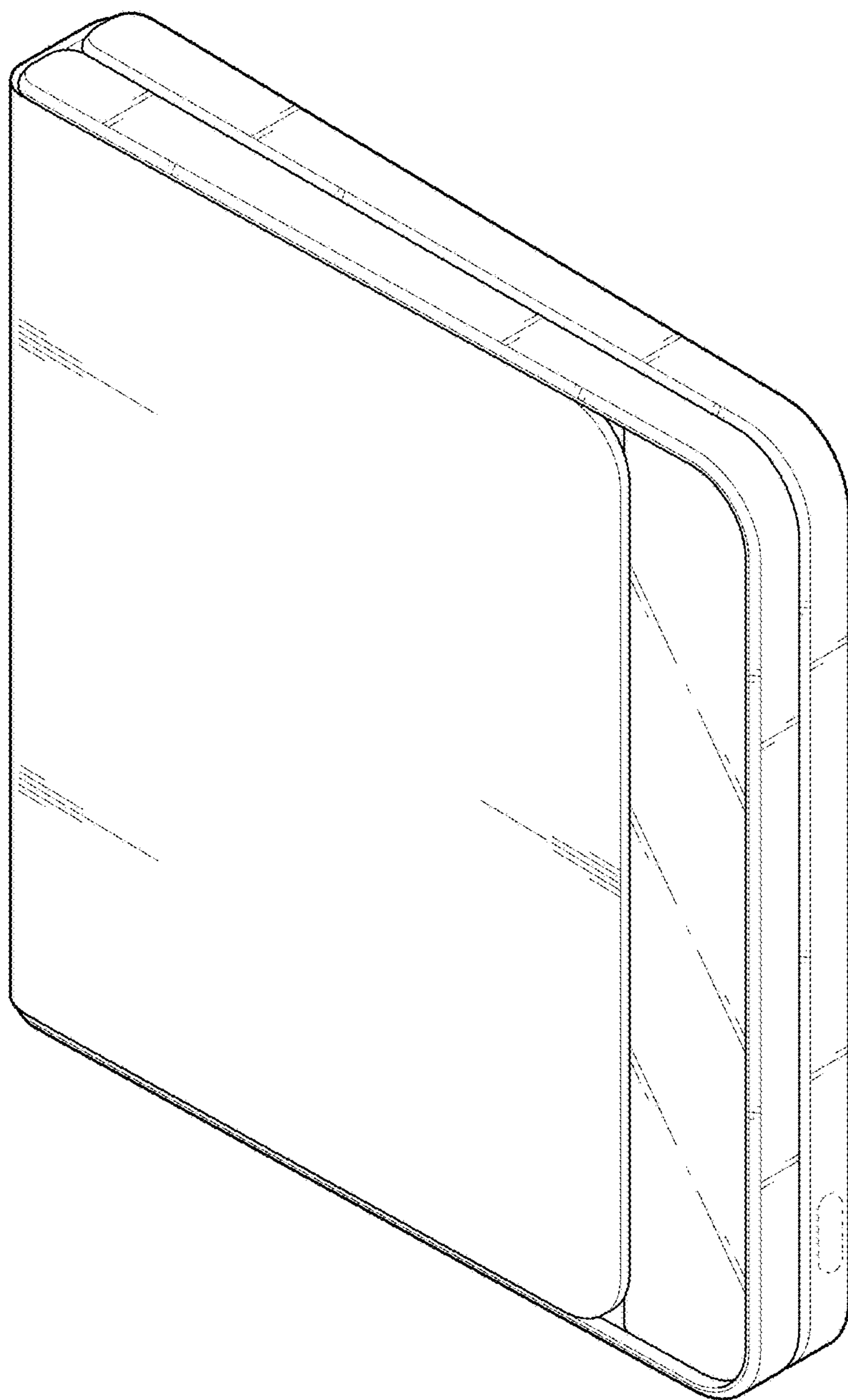


FIG. 2

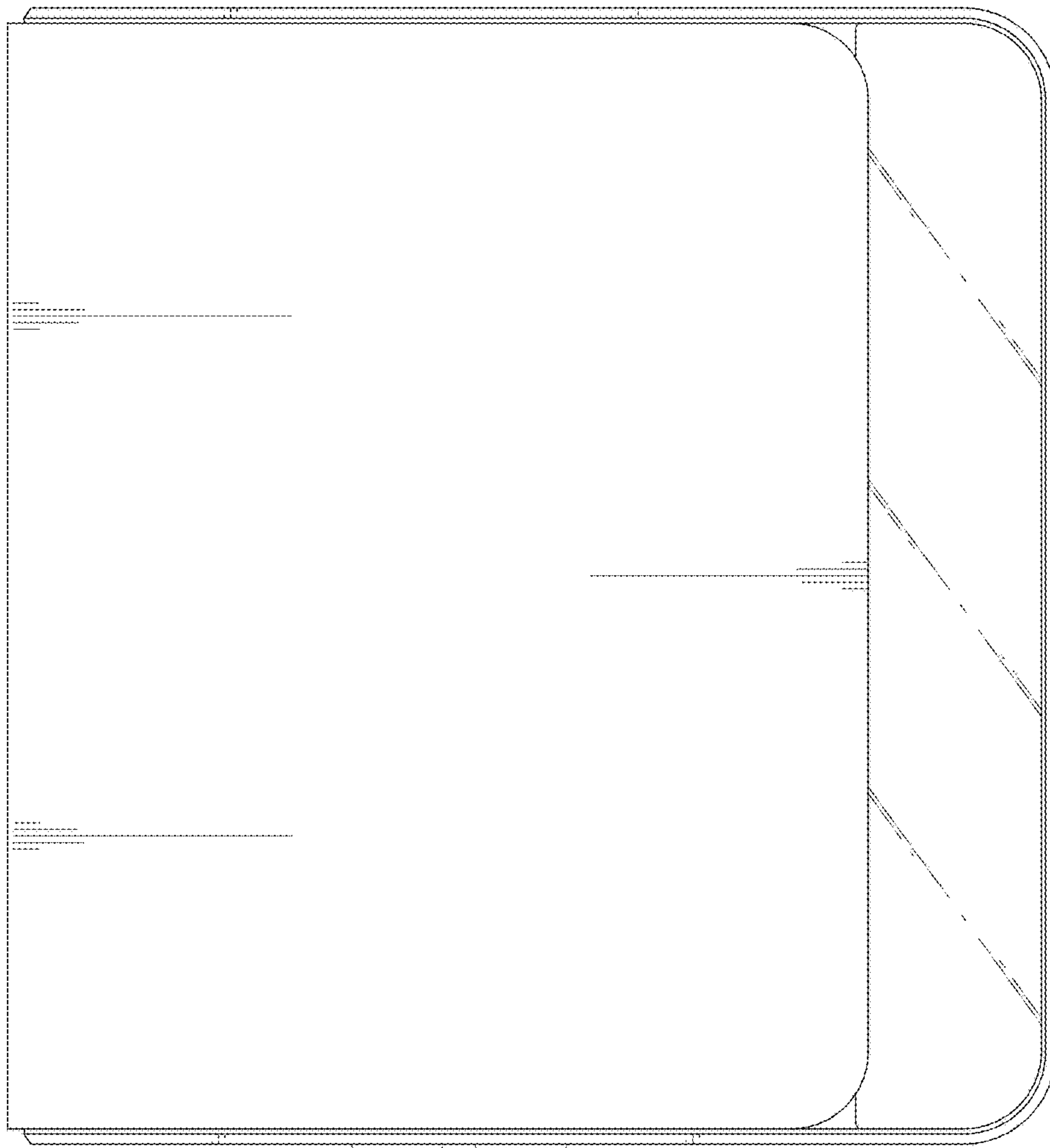


FIG. 3

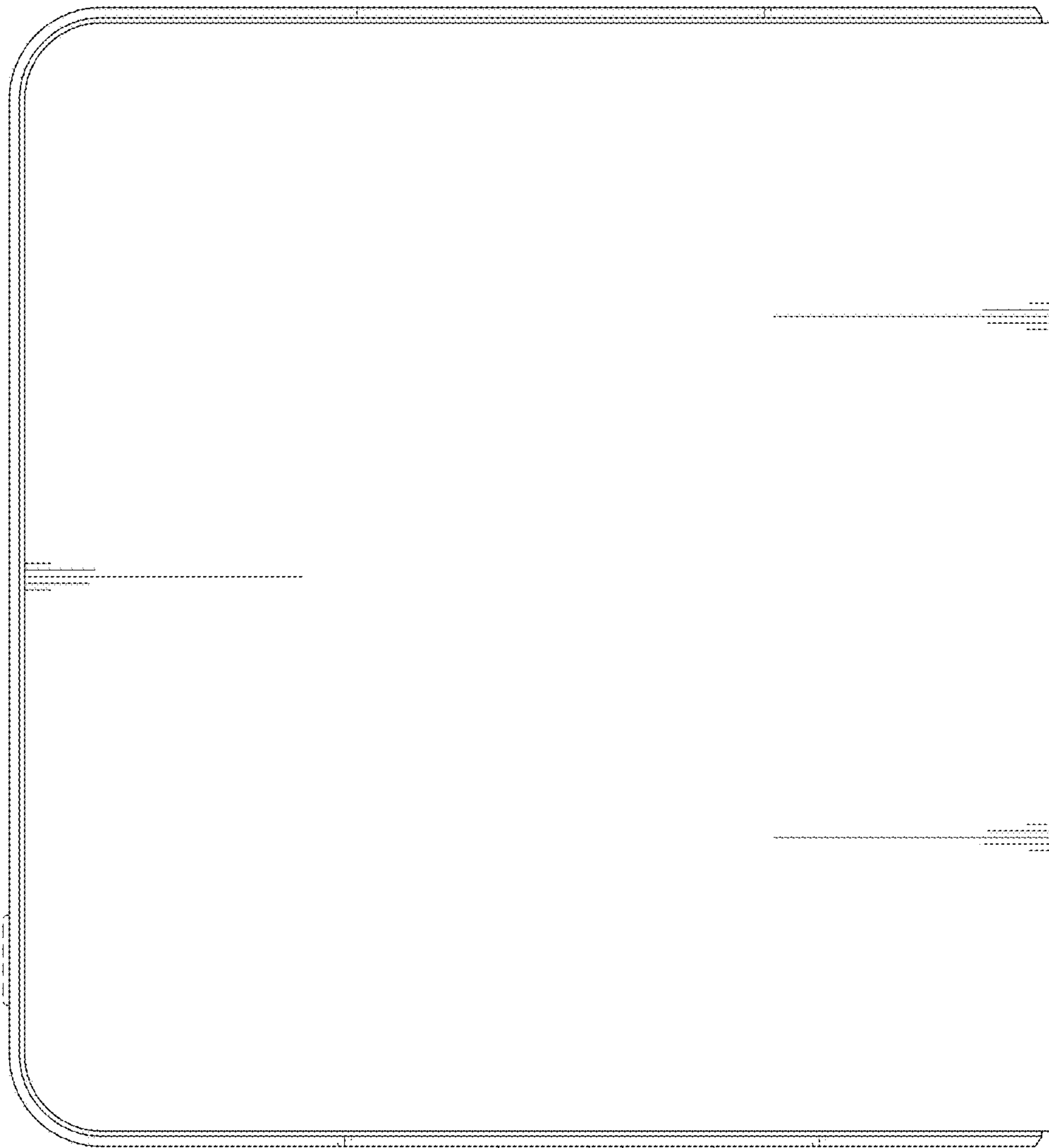


FIG. 4

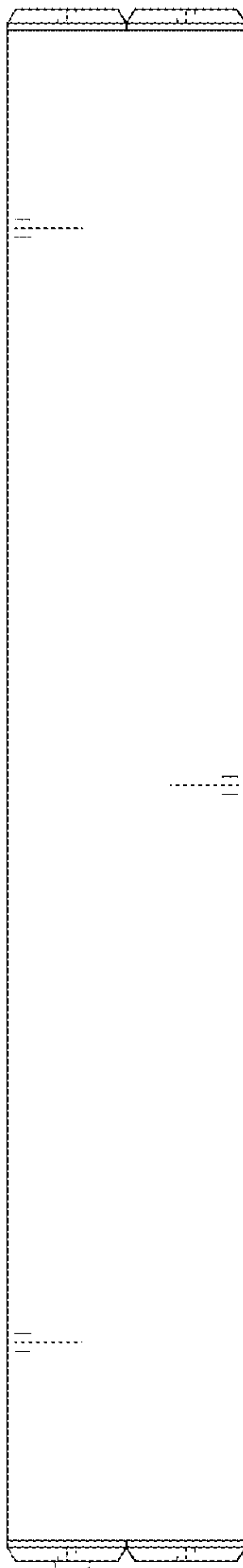


FIG. 5

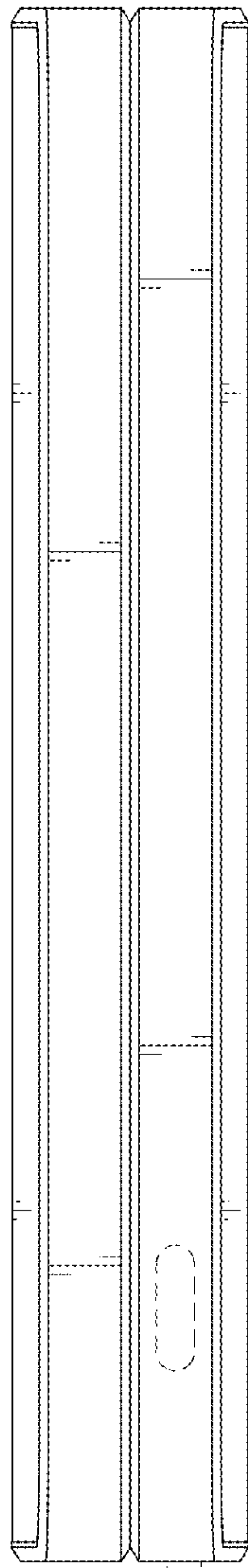


FIG. 6

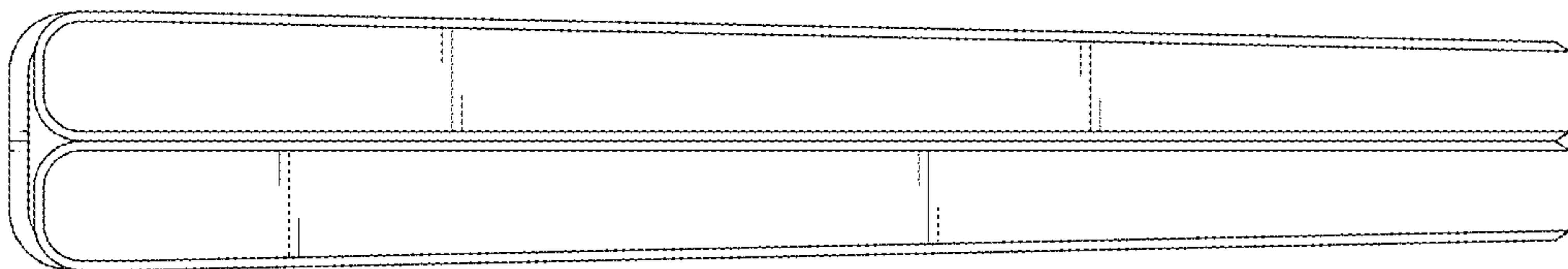


FIG. 7

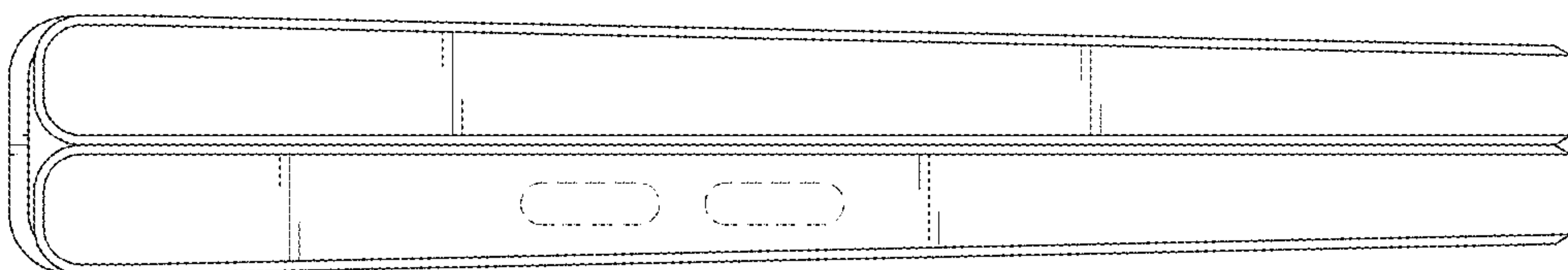


FIG. 8

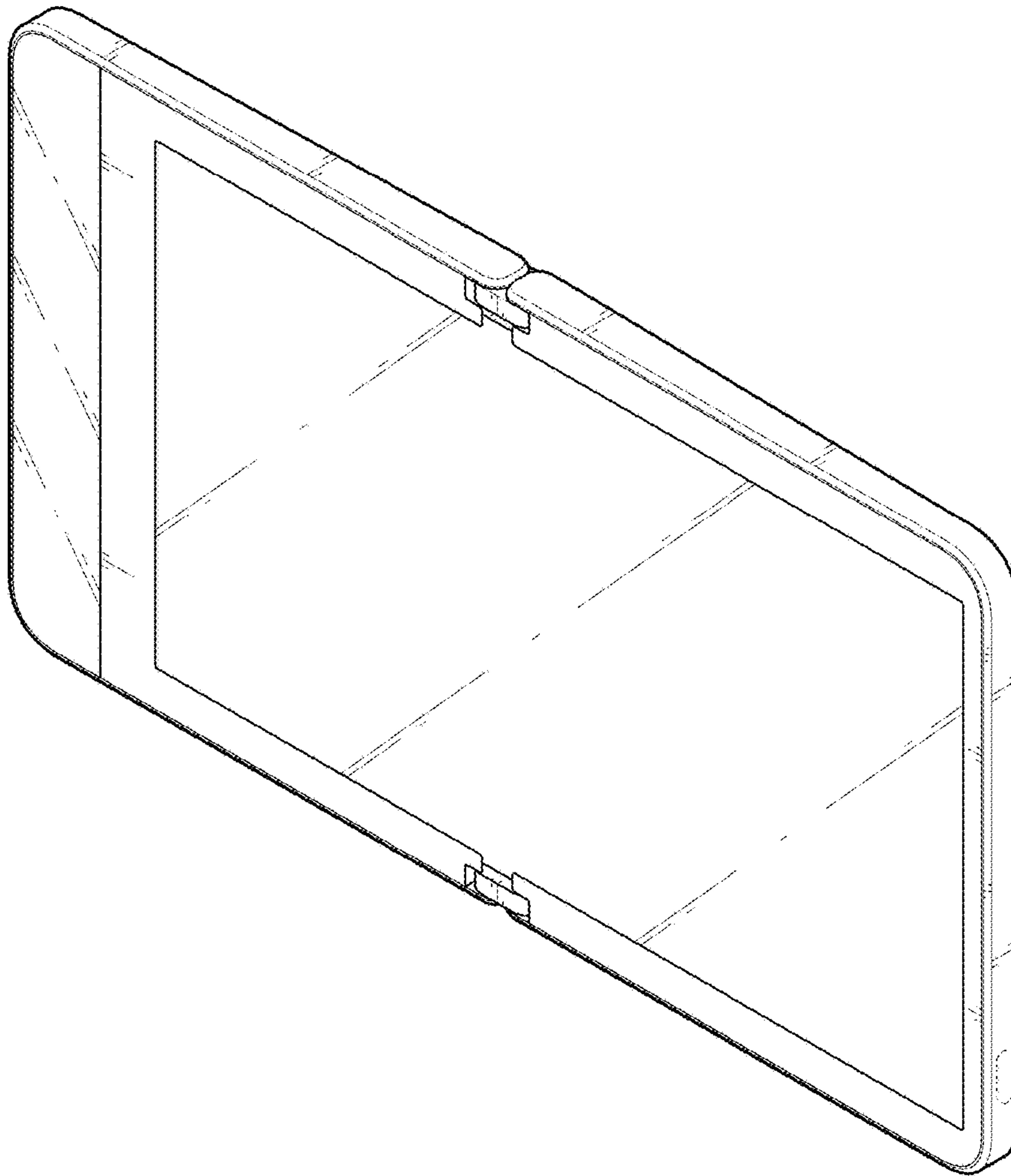


FIG. 9

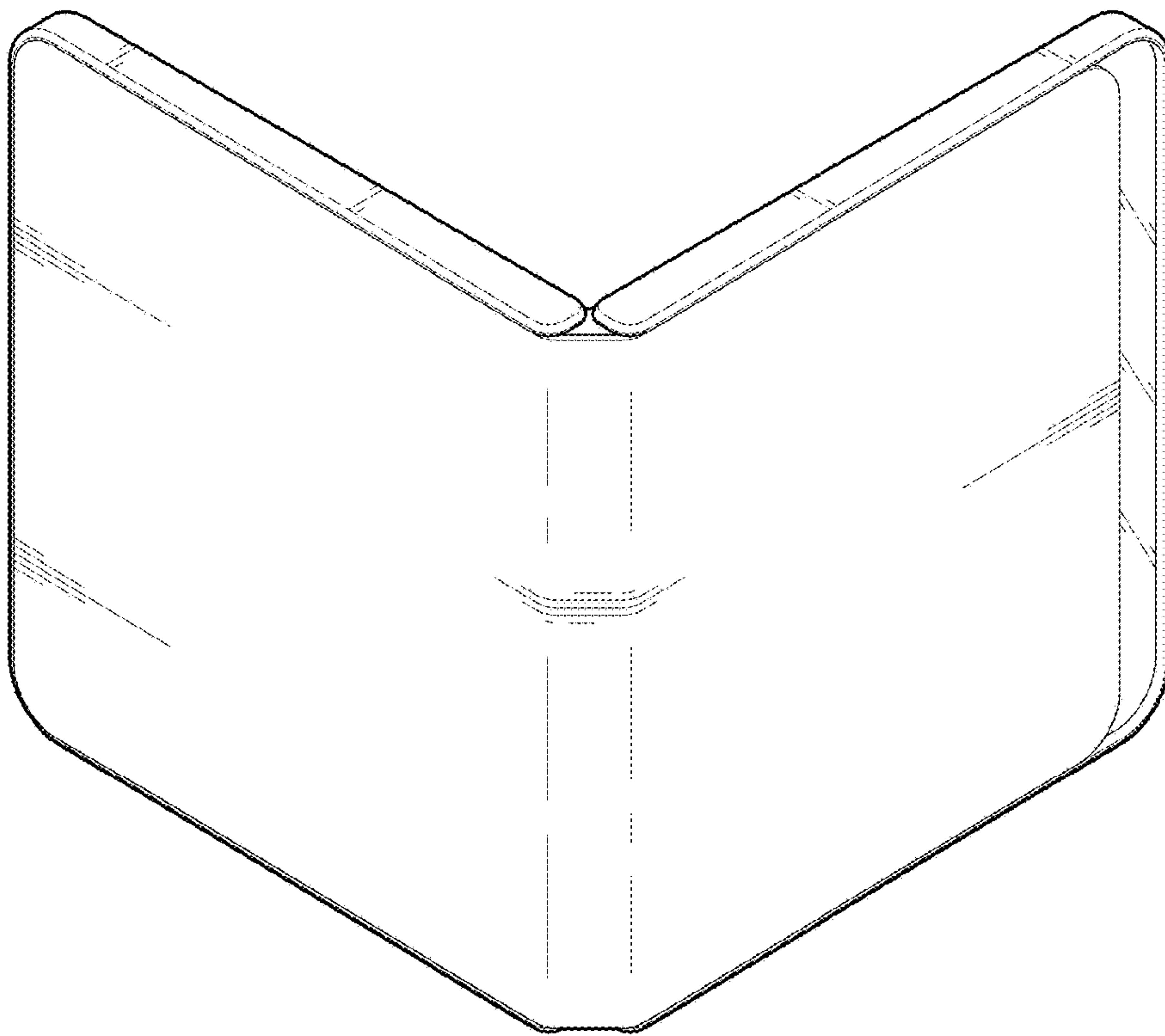


FIG. 10

