



US00D827602S

(12) **United States Design Patent** (10) **Patent No.:** **US D827,602 S**
Østensen et al. (45) **Date of Patent:** **** Sep. 4, 2018**

(54) **WALL STAND FOR AN ELECTRONIC DISPLAY**

(71) Applicant: **Cisco Technology, Inc.**, San Jose, CA (US)

(72) Inventors: **Kristian Magnus Hage Østensen**, Oslo (NO); **Torkel Mellingen**, Oslo (NO); **Vidar Borthne**, Oslo (NO)

(73) Assignee: **Cisco Technology, Inc.**, San Jose, CA (US)

(**) Term: **15 Years**

(21) Appl. No.: **29/610,707**

(22) Filed: **Jul. 14, 2017**

(51) **LOC (11) Cl.** **14-03**

(52) **U.S. Cl.**
USPC **D14/126; D14/239; D14/371**

(58) **Field of Classification Search**
USPC **D14/125-129, 239, 336, 337, 371-375, D14/447, 451; D6/300, 308; D19/113, D19/114; D20/10**

CPC **G09F 15/0025; G09F 15/0062; G09F 15/0068; G06F 1/16; G06F 1/1613; G06F 1/133308; G06F 1/1601; G06F 3/037; G06F 1/162; F16M 11/02; F16M 11/10; F16M 11/00; F16M 11/06; F16M 11/18; F16M 11/045; F16M 11/105; F16M 11/041; F16M 11/126; F16M 11/04; F16M 11/24; F16M 13/02; A47F 5/00**
See application file for complete search history.

(56) **References Cited**

U.S. PATENT DOCUMENTS

D161,245 S 12/1950 Carrier
D249,527 S 9/1978 Stralka
D427,597 S 7/2000 Arfin et al.

D434,738 S 12/2000 Takemasa
D474,454 S 5/2003 Izu et al.
D539,280 S 3/2007 Andresen
D541,267 S 4/2007 Sagen et al.
D542,247 S 5/2007 Kinoshita et al.
D550,663 S 9/2007 Olea
D551,184 S 9/2007 Kanou et al.
D552,051 S * 10/2007 Lozano D14/129
D588,560 S 3/2009 Mellingen et al.
D599,755 S 9/2009 Jin et al.
D615,514 S 5/2010 Mellingen et al.
D718,264 S * 11/2014 Park D14/126
D720,709 S * 1/2015 Lee D14/126
D732,496 S 6/2015 Mellingen et al.
D733,672 S 7/2015 Choi
D734,280 S 7/2015 Choi
D744,443 S * 12/2015 Kim D14/126
D761,747 S * 7/2016 Kim D14/126

(Continued)

Primary Examiner — Randall H Gholson

(74) *Attorney, Agent, or Firm* — Edell, Shapiro & Finnan, LLC

(57) **CLAIM**

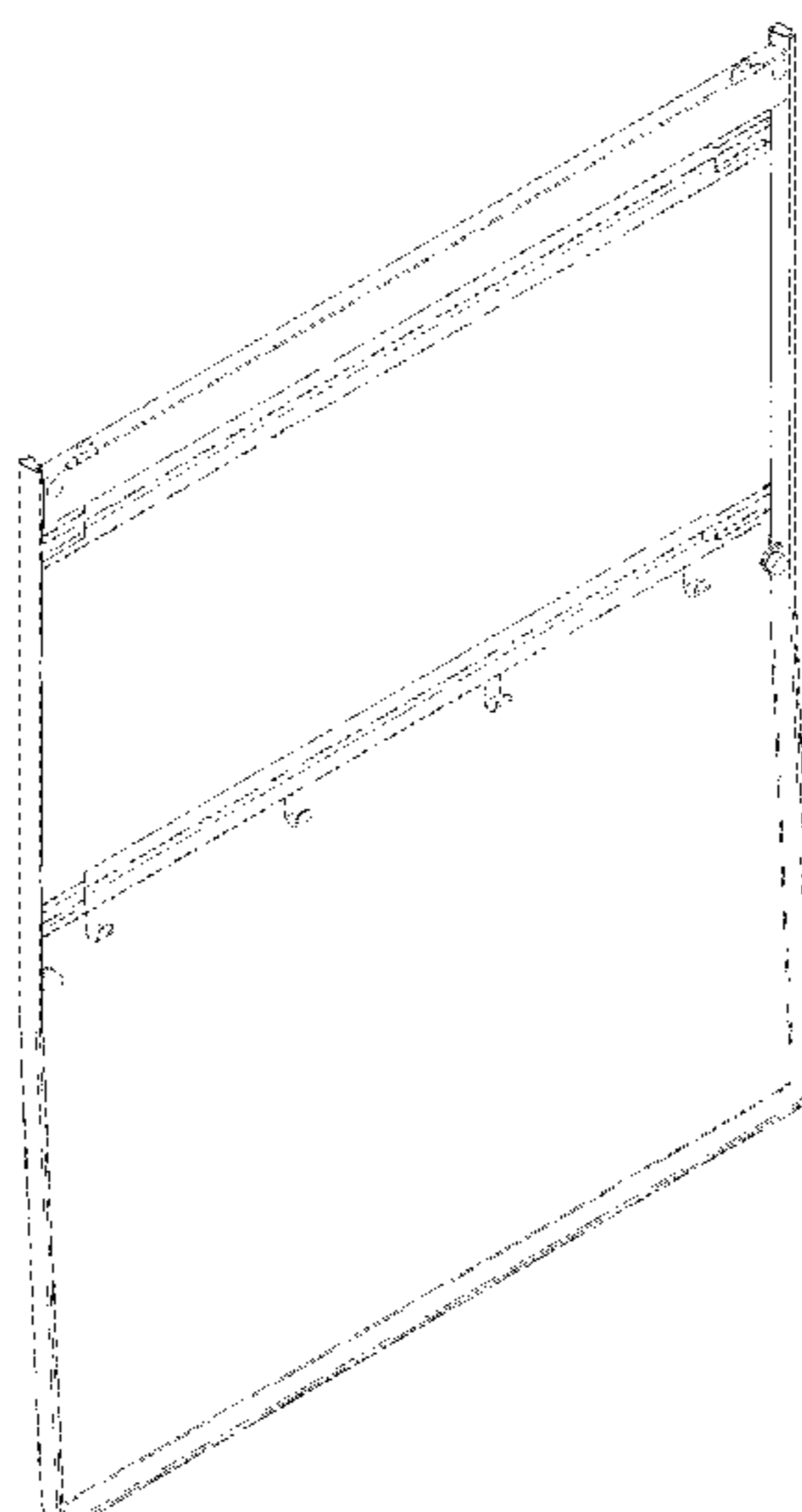
The ornamental design for a wall stand for an electronic display, as shown and described.

DESCRIPTION

FIG. 1 is a front perspective view of a wall stand for an electronic display;
FIG. 2 is a front view of the wall stand of FIG. 1;
FIG. 3 is a back view of the wall stand of FIG. 1;
FIG. 4 is a first side view of the wall stand of FIG. 1;
FIG. 5 is a second side view of the wall stand of FIG. 1;
FIG. 6 is a top view of the wall stand of FIG. 1;
FIG. 7 is a bottom view of the wall stand of FIG. 1; and,
FIG. 8 is another front perspective view of the wall stand of FIG. 1 with an electronic display supported by the wall stand.

Any portions shown using dashed lines are for illustrative purposes only and form no part of the claimed design.

1 Claim, 6 Drawing Sheets



(56)

References Cited

U.S. PATENT DOCUMENTS

D782,226 S * 3/2017 Zheng D6/672
D788,052 S * 5/2017 Choi D14/126

* cited by examiner

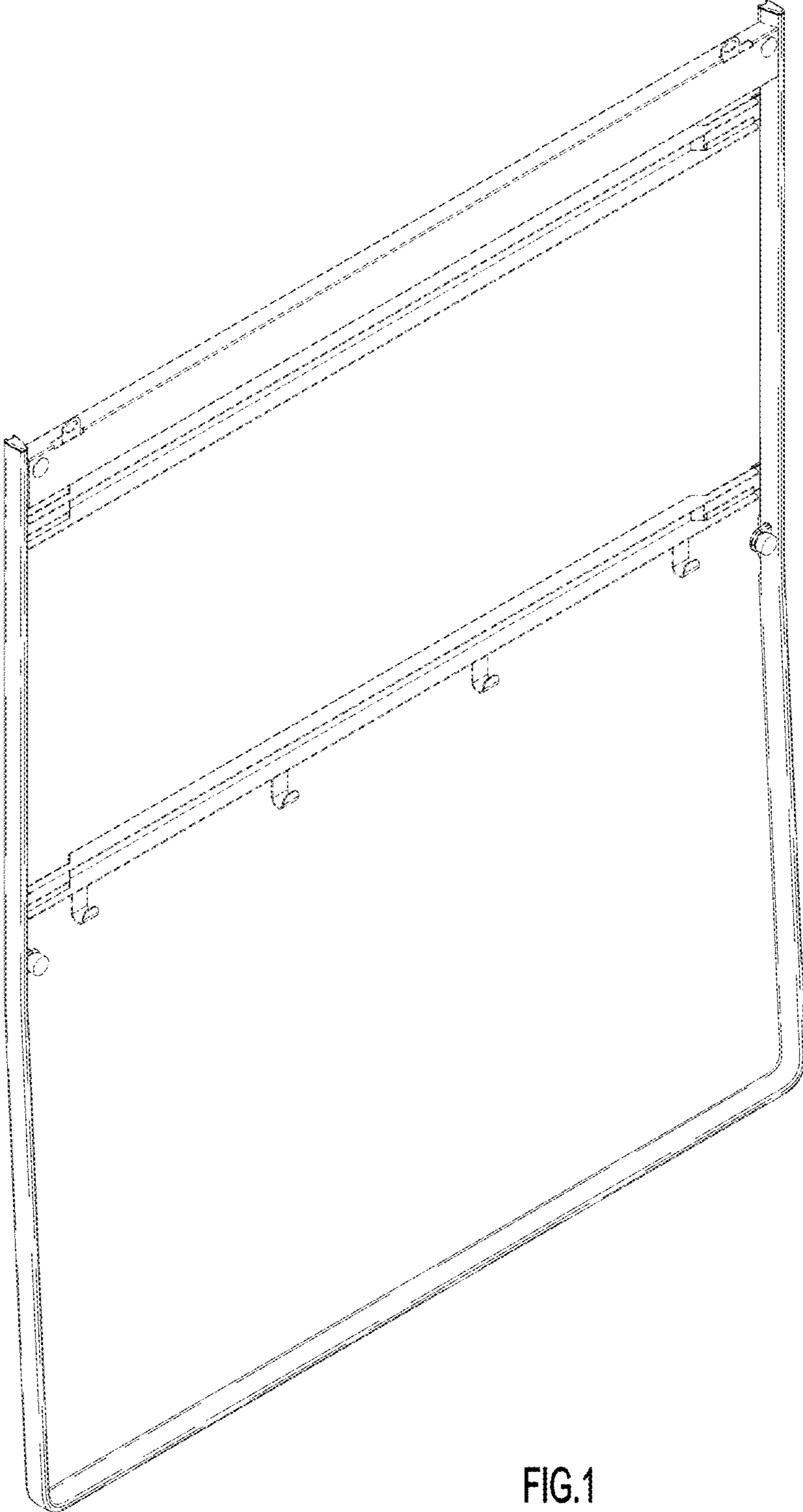


FIG.1

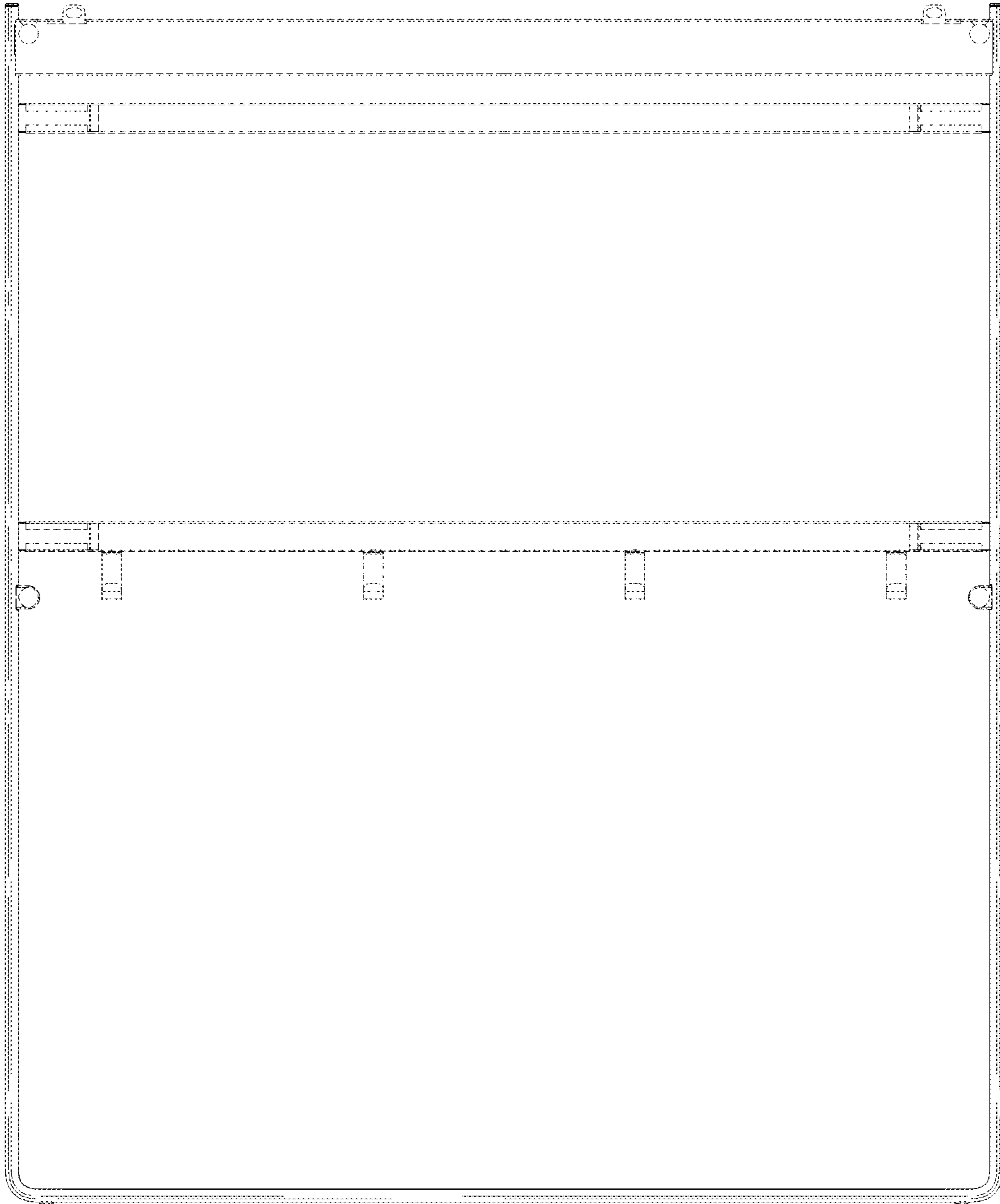


FIG.2

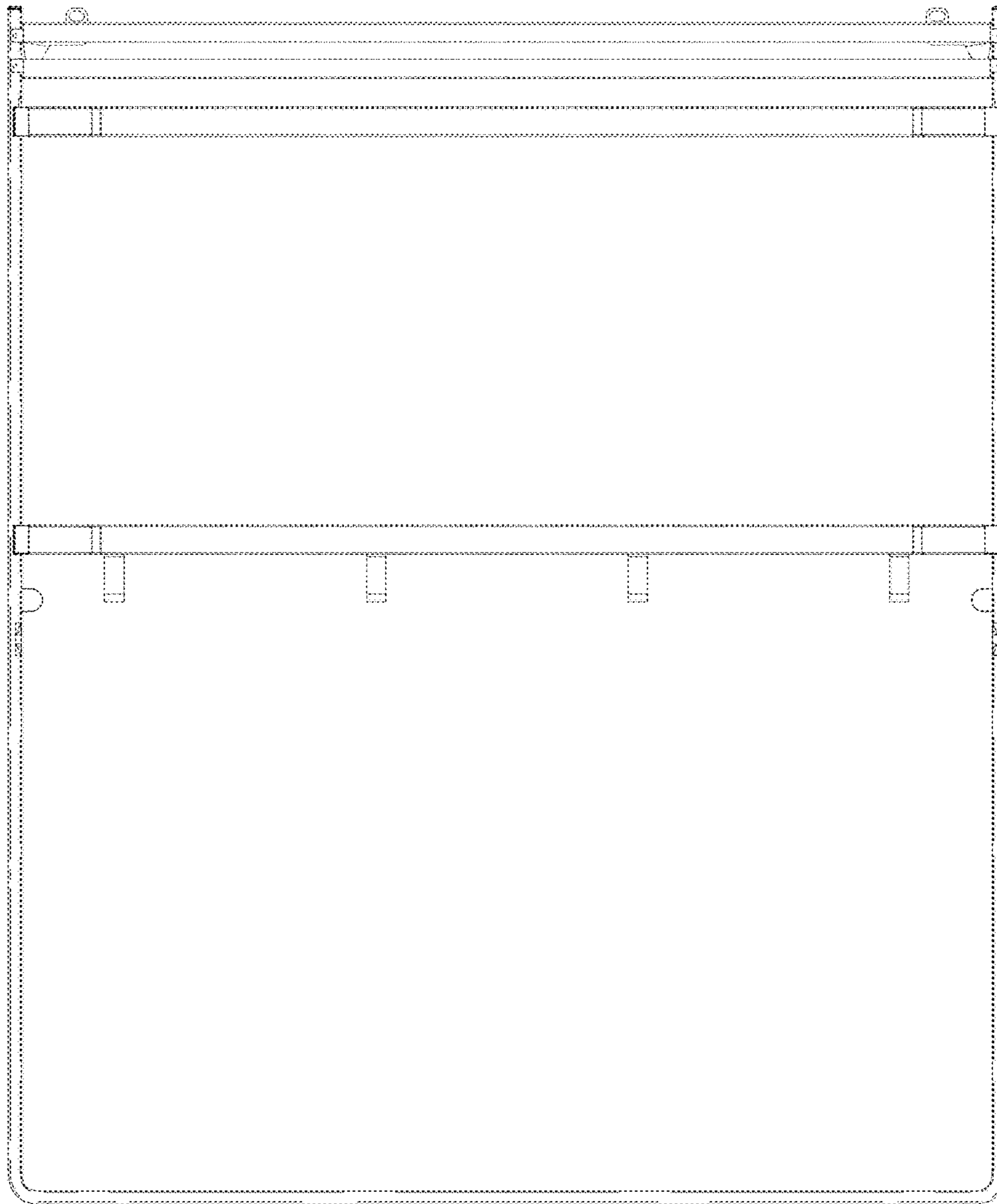


FIG.3

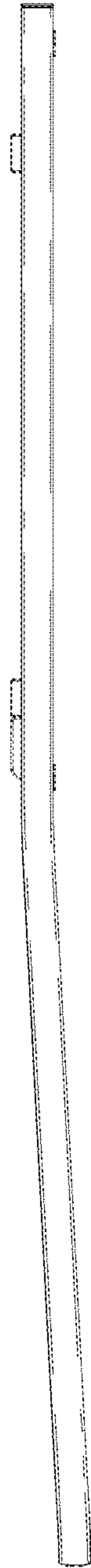


FIG.4

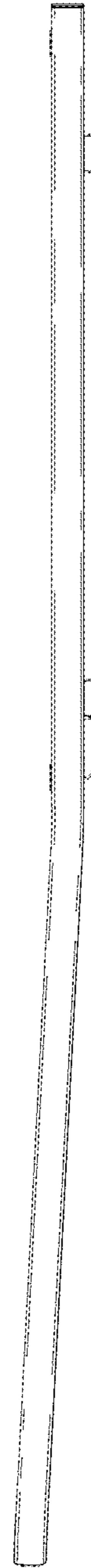


FIG.5

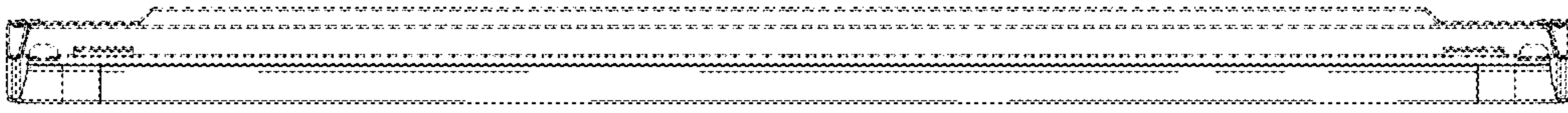


FIG.6

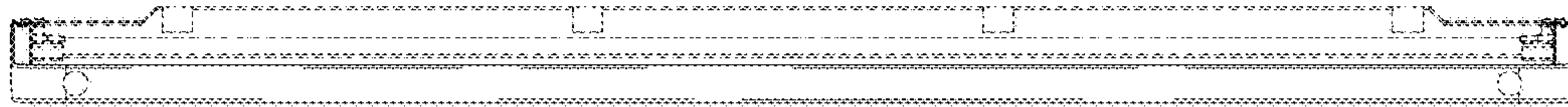


FIG.7

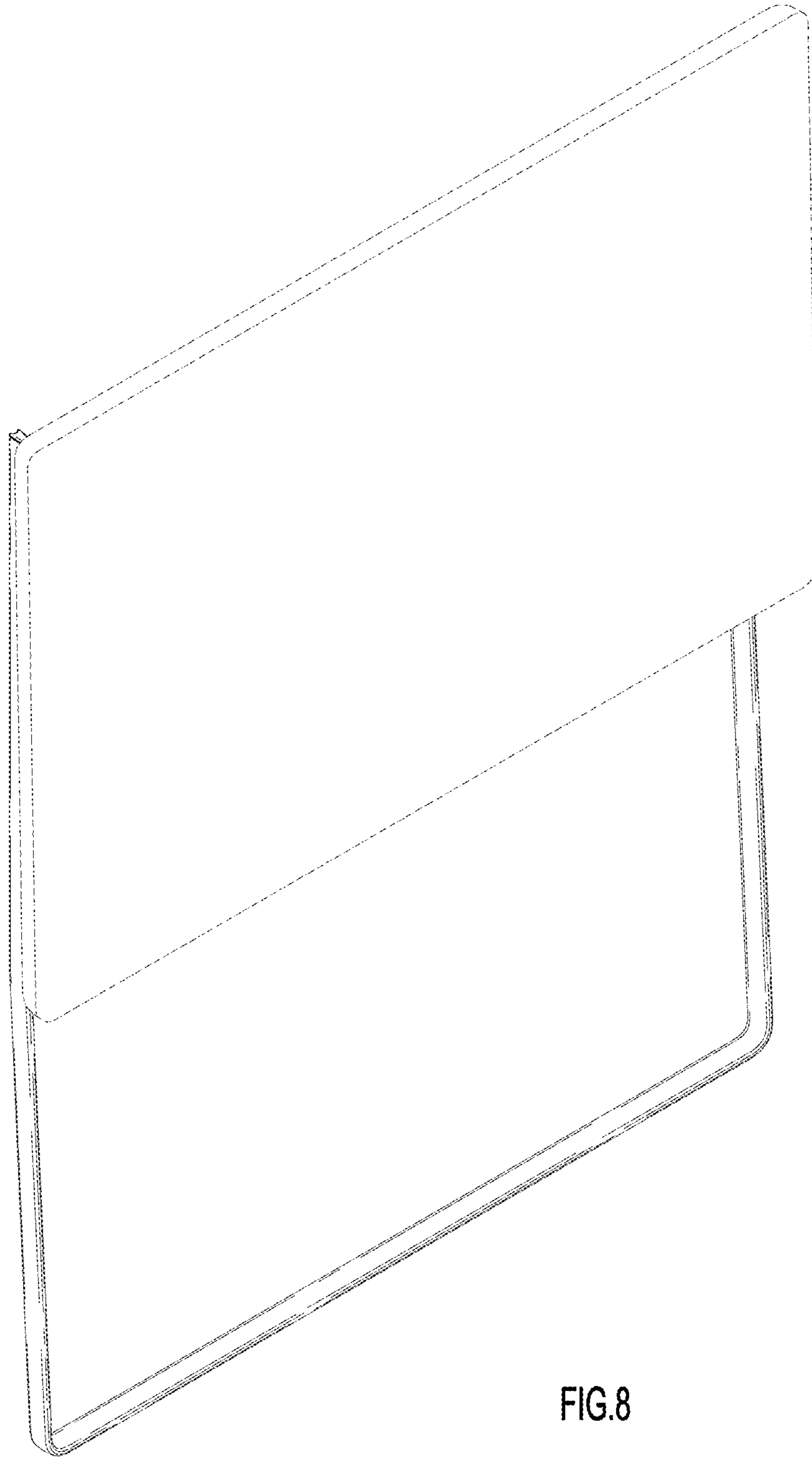


FIG. 8