



US00D827598S

(12) **United States Design Patent** (10) **Patent No.:** **US D827,598 S**  
**Kwon et al.** (45) **Date of Patent:** **\*\* Sep. 4, 2018**

(54) **SET TOP BOX**

FOREIGN PATENT DOCUMENTS

(71) Applicant: **Samsung Electronics Co., Ltd.**,  
Suwon-si (KR)

EM 001368674-0003 10/2015

\* cited by examiner

(72) Inventors: **Hansol Kwon**, Gwangmyeong-si (KR);  
**Taeyeon Won**, Seoul (KR)

*Primary Examiner* — Randall H Gholson

(74) *Attorney, Agent, or Firm* — McAndrews Held & Malloy, Ltd.

(73) Assignee: **SAMSUNG ELECTRONICS CO., LTD.**, Suwon-si (KR)

(57) **CLAIM**

The ornamental design for a set top box, as shown and described.

(\*\*) Term: **15 Years**

**DESCRIPTION**

(21) Appl. No.: **29/609,307**

(22) Filed: **Jun. 29, 2017**

(30) **Foreign Application Priority Data**

Jan. 4, 2017 (KR) ..... 30-2017-0000530

(51) **LOC (11) Cl.** ..... **14-03**

(52) **U.S. Cl.**  
USPC ..... **D14/125**

(58) **Field of Classification Search**

USPC ..... D14/125, 357-358, 496, 188, 242, 432;  
D13/184; 348/10, 460, 706, 731;  
340/825.03; 455/6.1, 6.2; 312/223.1, 7.2  
CPC .. H04N 5/50; H04N 5/64; H05K 5/02; H05K  
5/03; G06F 1/16

See application file for complete search history.

(56) **References Cited**

U.S. PATENT DOCUMENTS

D595,734 S 7/2009 Son  
D600,694 S \* 9/2009 Sumii ..... D14/356  
D647,866 S \* 11/2011 Chen ..... D14/125  
D658,640 S \* 5/2012 Ivaskevicius ..... D14/242  
D744,882 S \* 12/2015 Jung ..... D10/70  
D768,631 S \* 10/2016 Epstein ..... D14/388  
D769,836 S \* 10/2016 Axelsson ..... D14/125  
D777,100 S \* 1/2017 Price ..... D13/103

FIG. 1 is a top front perspective view of a set top box showing our new design according to a first embodiment; FIG. 2 is a front elevation view thereof; FIG. 3 is a rear elevation view thereof; FIG. 4 is a left-side elevation view thereof; FIG. 5 is a right-side elevation view thereof; FIG. 6 is a top plan view thereof; FIG. 7 is a bottom plan view thereof; FIG. 8 is a top rear perspective view thereof, showing the first embodiment in an alternative configuration; FIG. 9 is a bottom rear perspective view thereof, showing the first embodiment in another alternative configuration; FIG. 10 is a top rear perspective view thereof, shown with wires in broken lines to depict example environment; FIG. 11 is a top plan view thereof, shown in an example environment; and, FIG. 12 is a top front perspective view of a set top box showing our new design according to a second embodiment, the only difference between the first and second embodiments being the ruffled outer perimeter of the set top box shown in the second embodiment, it being understood that all other surfaces are the same as those of the first embodiment shown in FIGS. 1-11. The broken lines in the figures illustrate example environment and portions of the set top box that form no part of the claimed design.

**1 Claim, 10 Drawing Sheets**

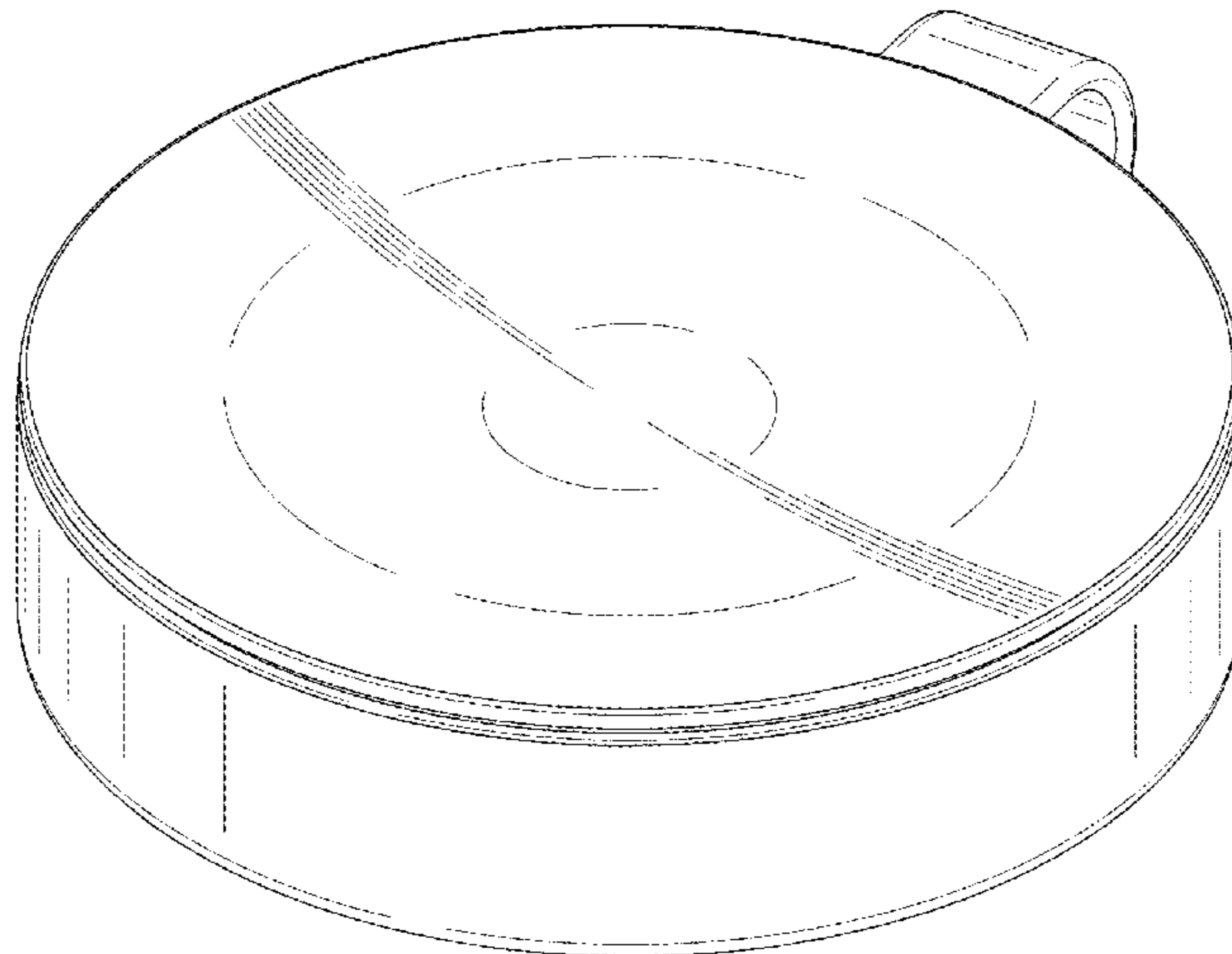


FIG. 1

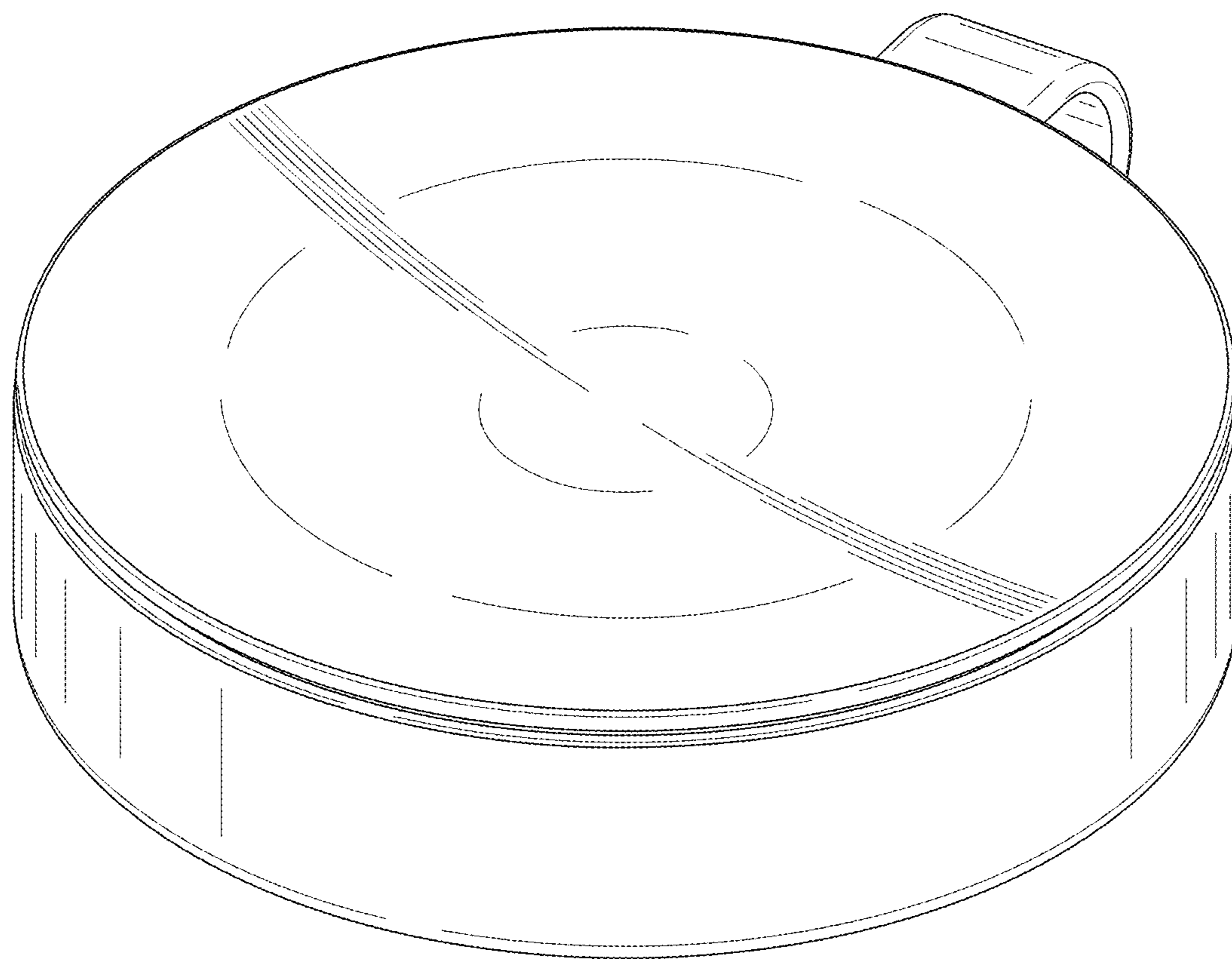


FIG. 2

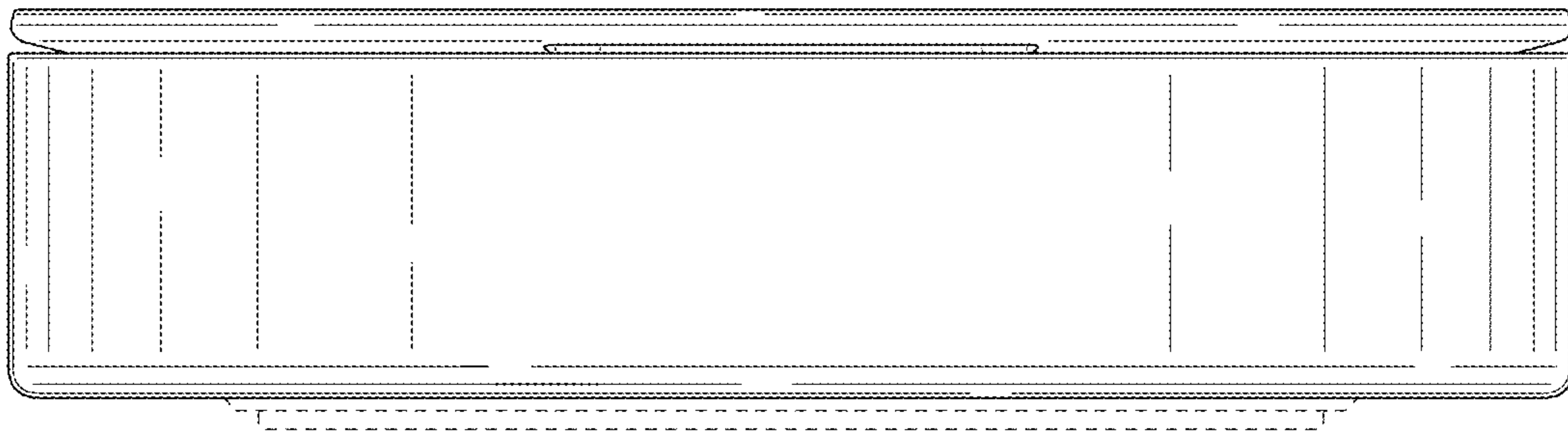


FIG. 3

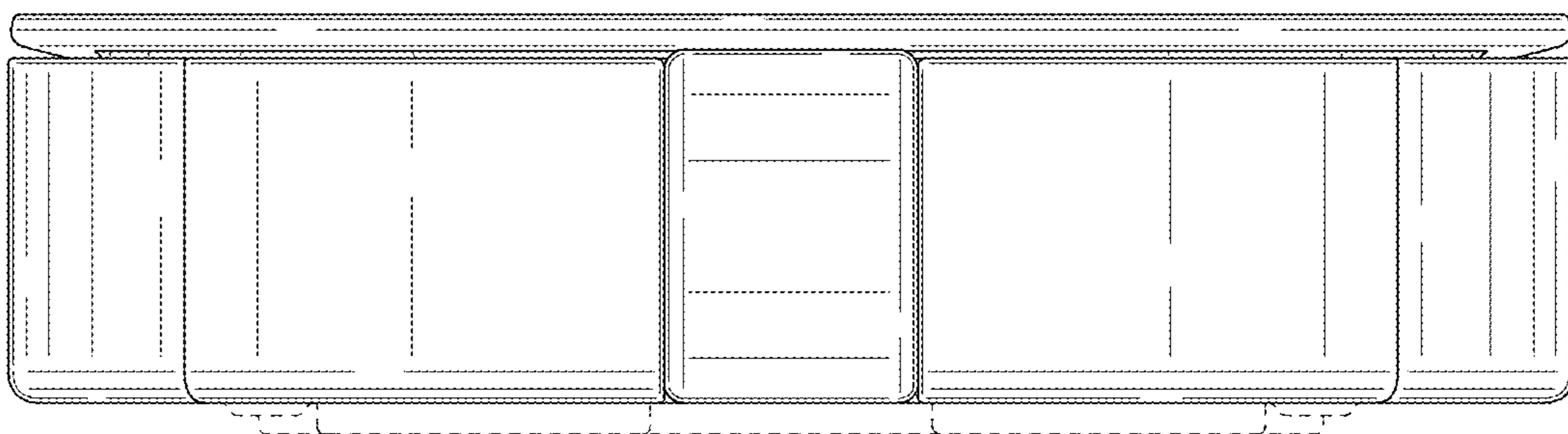


FIG. 4

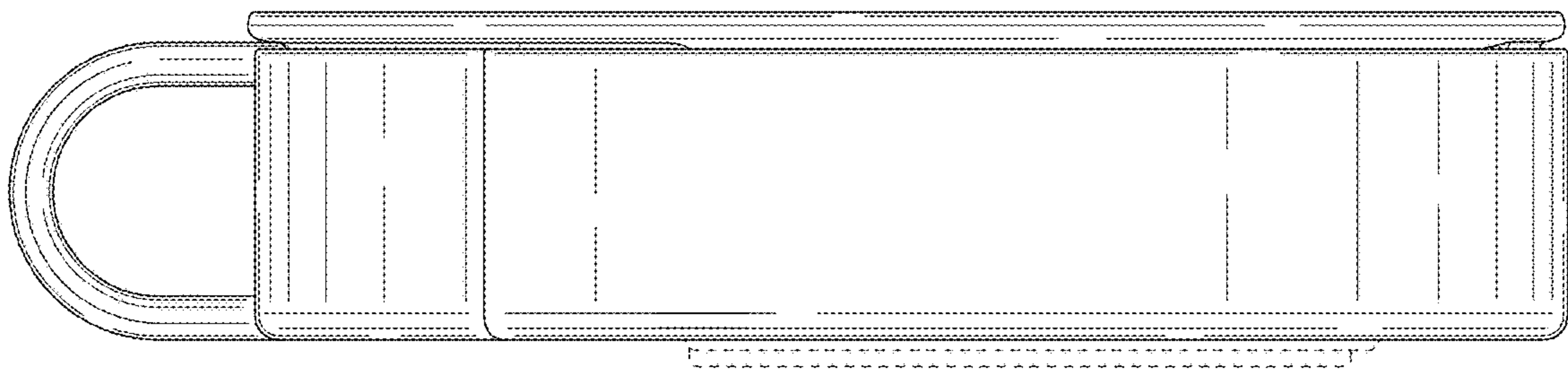


FIG. 5

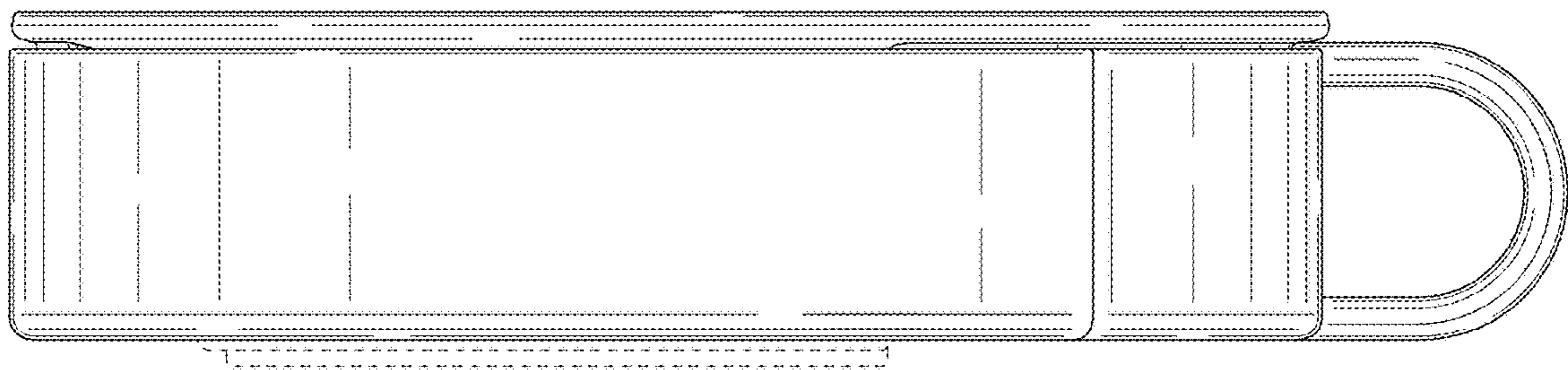


FIG. 6

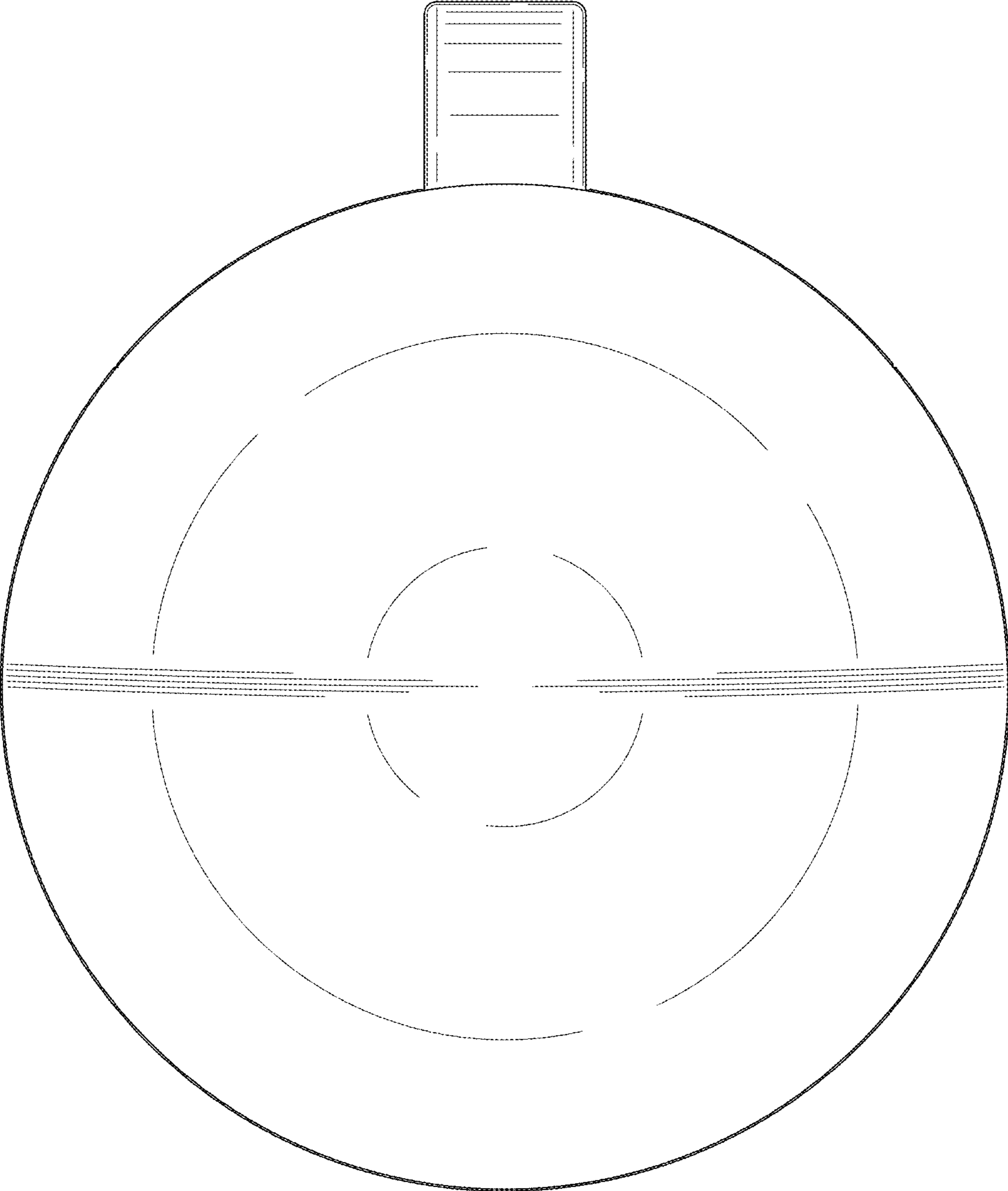




FIG. 7

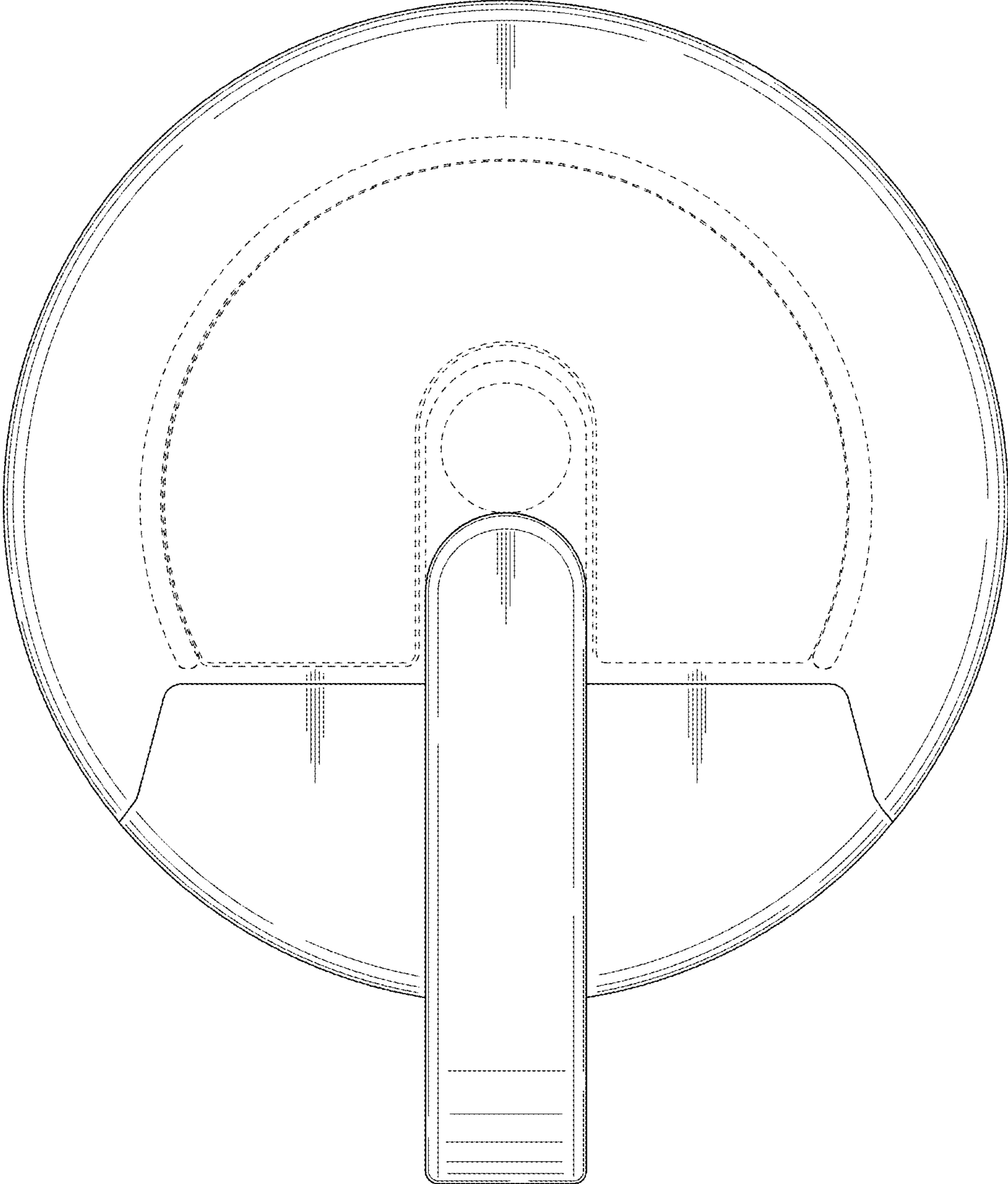


FIG. 8

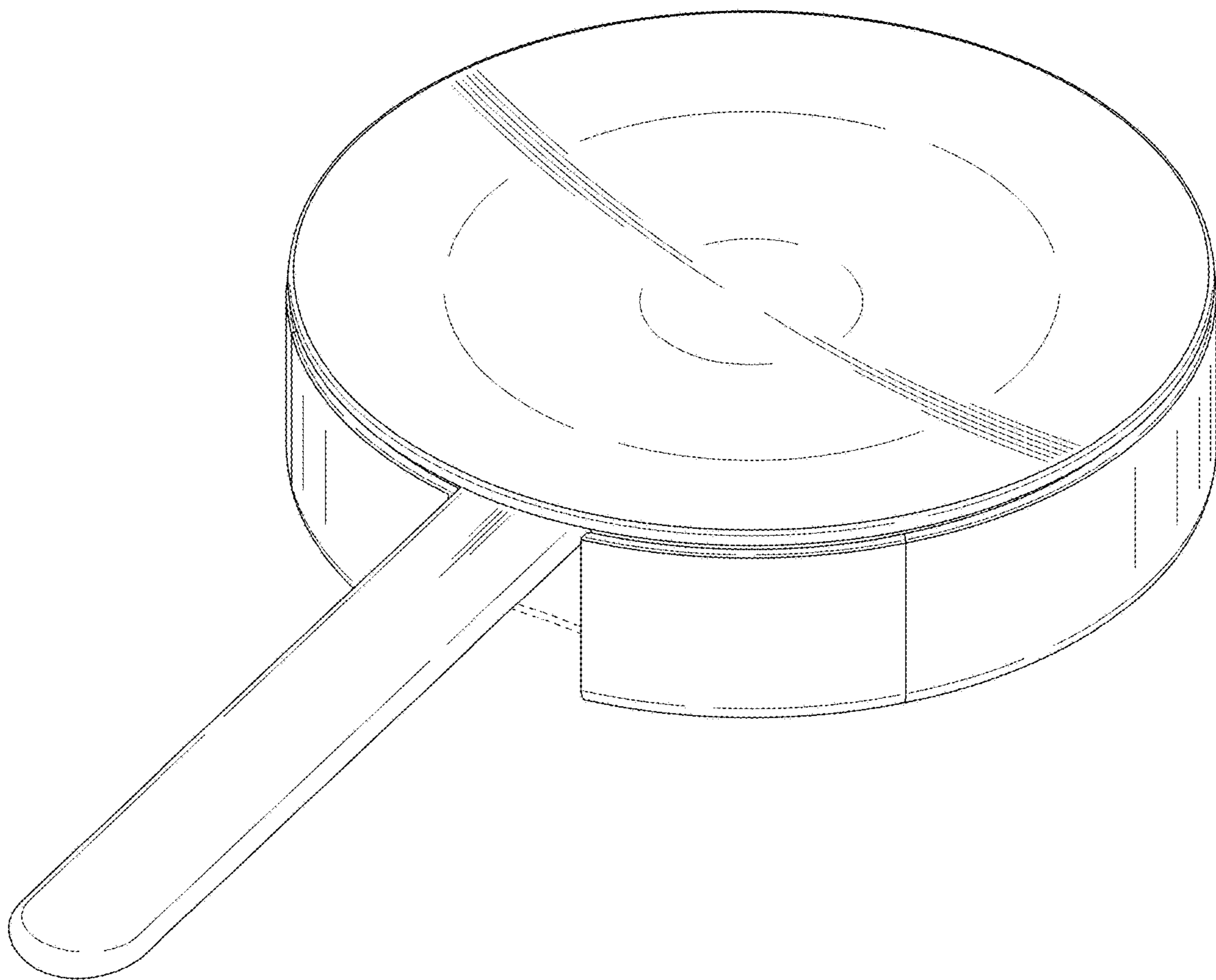


FIG. 9

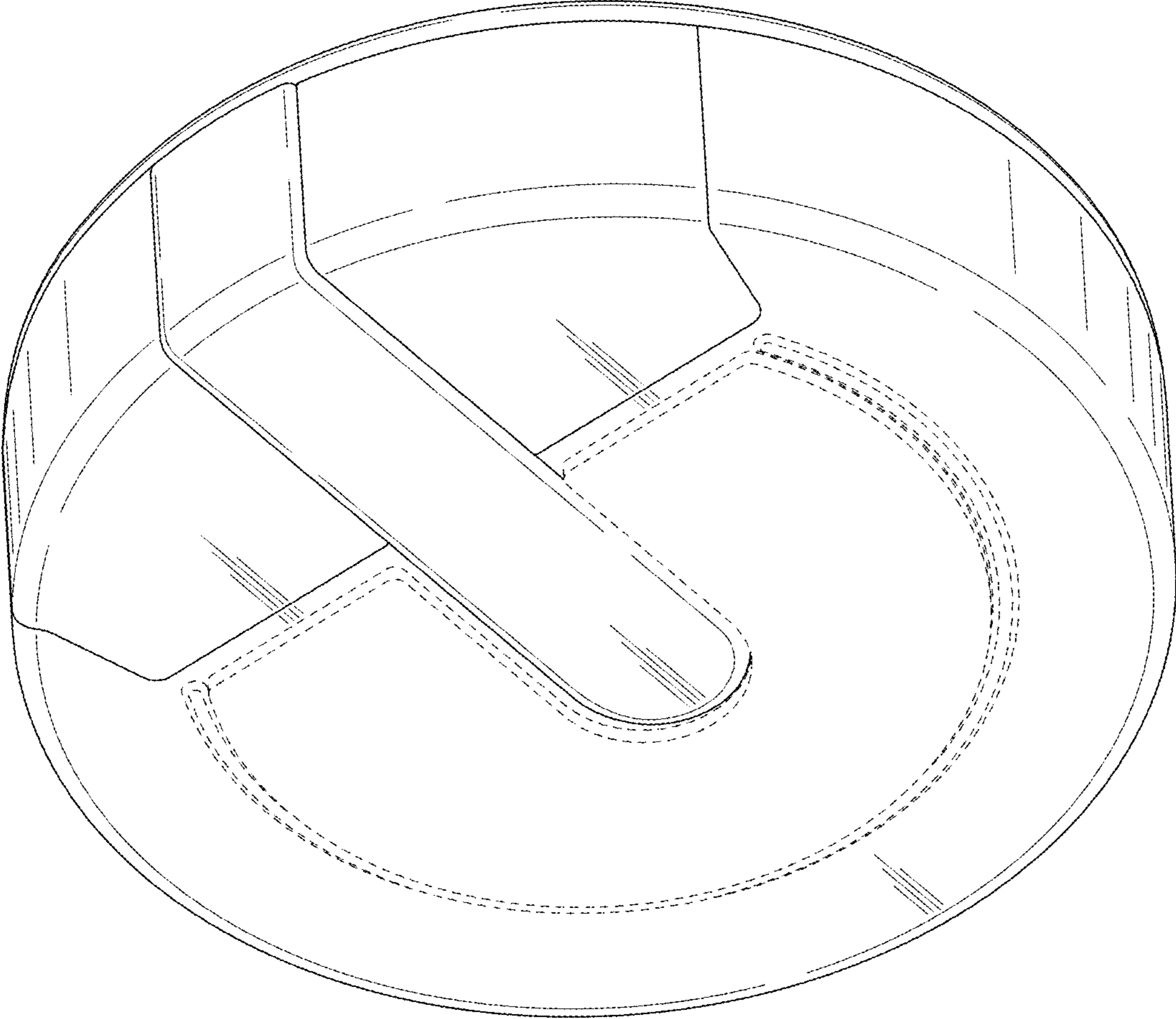




FIG. 10

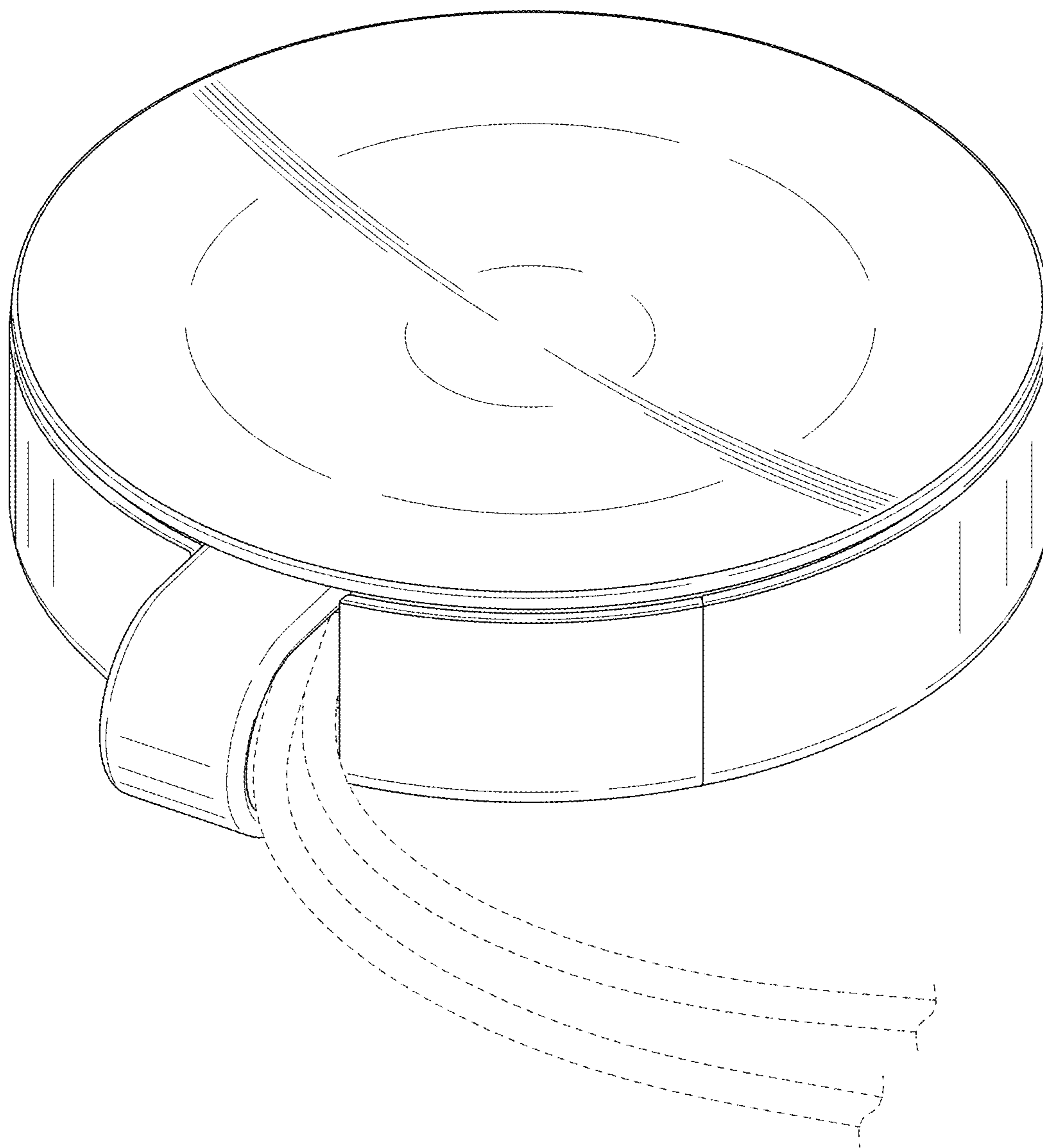


FIG. 11

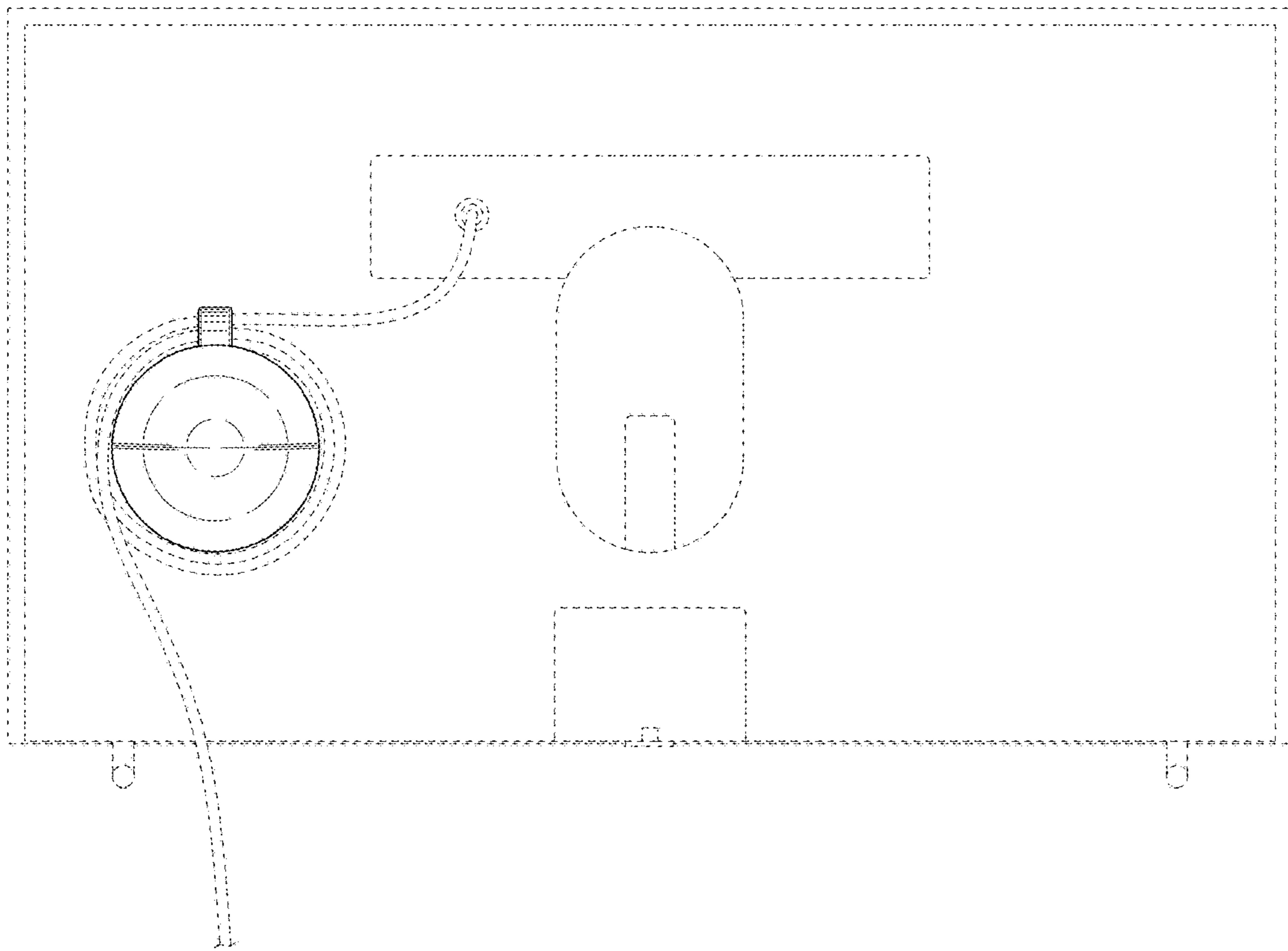


FIG. 12

