



US00D827597S

(12) **United States Design Patent** (10) **Patent No.:** **US D827,597 S**  
**Cheng et al.** (45) **Date of Patent:** **\*\* Sep. 4, 2018**

(54) **TELEVISION HOST**

D718,738 S \* 12/2014 Michael ..... D14/214  
D741,825 S \* 10/2015 James ..... D14/125  
D763,238 S \* 8/2016 Kim ..... D14/126

(71) Applicant: **Beijing Xiaomi Mobile Software Co., Ltd.**, Beijing (CN)

\* cited by examiner

(72) Inventors: **Zhaopeng Cheng**, Beijing (CN); **Ning Li**, Beijing (CN); **Weihao Wang**, Beijing (CN)

*Primary Examiner* — Randall H Gholson  
(74) *Attorney, Agent, or Firm* — Dilworth & Barrese, LLP.; Michael J. Musella, Esq.

(73) Assignee: **BEIJING XIAOMI MOBILE SOFTWARE CO., LTD.**, Beijing (CN)

(57) **CLAIM**

The ornamental design for a television host, as shown and described.

(\*\*) Term: **15 Years**

**DESCRIPTION**

(21) Appl. No.: **29/589,745**

FIG. 1 is a front elevational view of the television host showing our new design;

(22) Filed: **Jan. 4, 2017**

FIG. 2 is a rear elevational view of the television host of FIG. 1;

(51) **LOC (11) Cl.** ..... **14-03**

FIG. 3 is a left side elevational view of the television host of FIGS. 1 and 2;

(52) **U.S. Cl.**

FIG. 4 is a right side elevational view of the television host of FIGS. 1-3;

USPC ..... **D14/125**

FIG. 5 is a top plan view of the television host of FIGS. 1-4;

(58) **Field of Classification Search**

USPC ..... D14/125, 357-358, 496, 188, 242, 432;

D13/184; 348/10, 460, 706, 731;

340/825.03; 455/6.1, 6.2; 312/223.1, 7.2

CPC .. H04N 5/50; H04N 5/64; H05K 5/02; H05K

5/03; G06F 1/16

See application file for complete search history.

FIG. 6 is a bottom plan view of the television host of FIGS. 1-5;

FIG. 7 is a right front perspective view from above of the television host of FIGS. 1-6;

FIG. 8 is a right rear perspective view from above of the television host of FIGS. 1-7;

FIG. 9 is a right front perspective view from below of the television host of FIGS. 1-8; and,

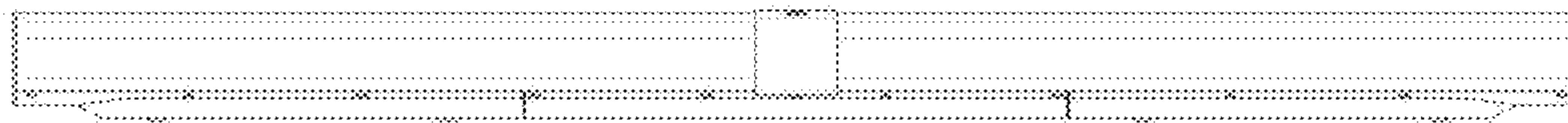
FIG. 10 is an enlarged detailed view of the center of the top of the television host of FIGS. 1-9.

(56) **References Cited**

**U.S. PATENT DOCUMENTS**

D532,408 S \* 11/2006 Kita ..... D14/214  
D688,231 S \* 8/2013 Nishii ..... D14/214  
D715,769 S \* 10/2014 McManigal ..... D14/214

**1 Claim, 10 Drawing Sheets**



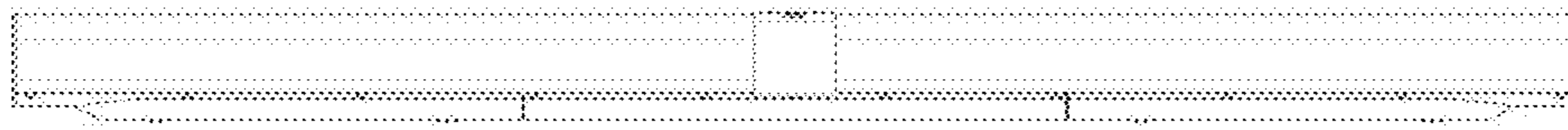


FIG. 1

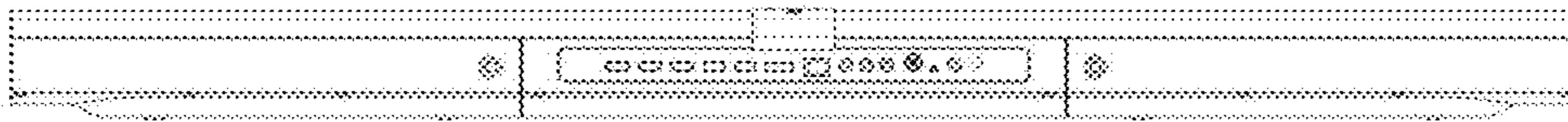


FIG. 2

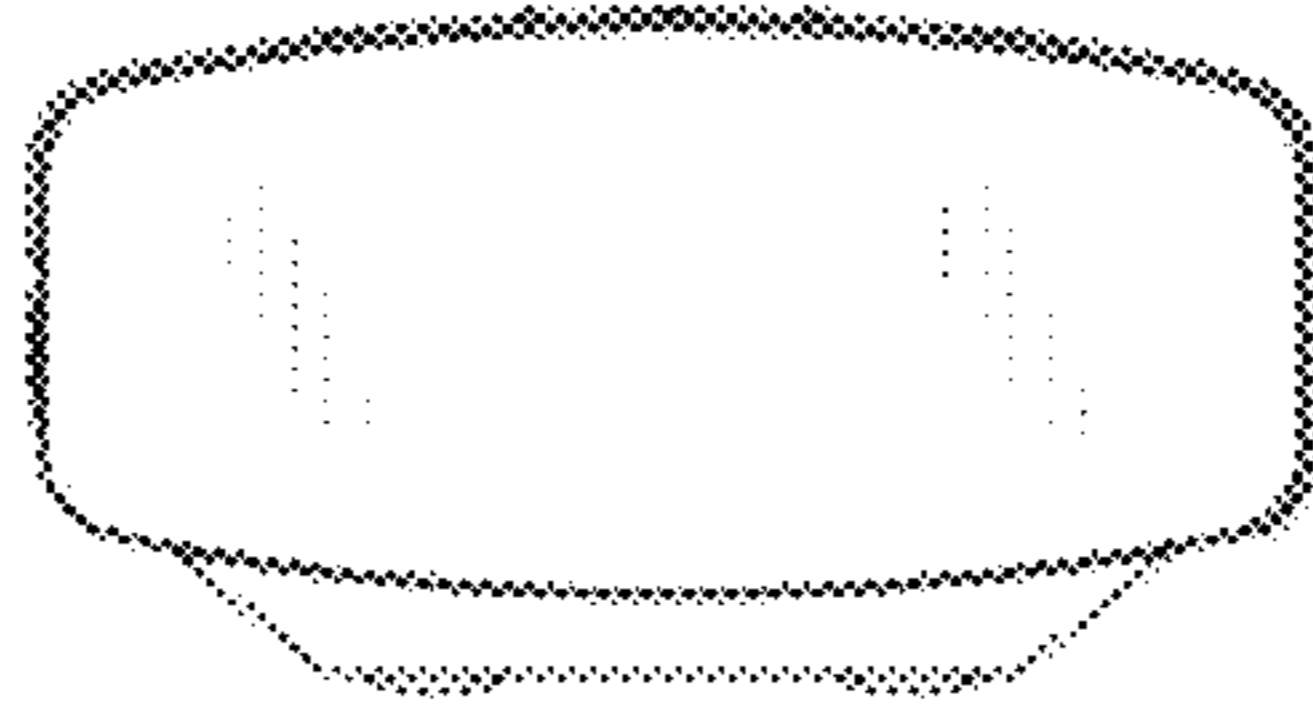


FIG. 3

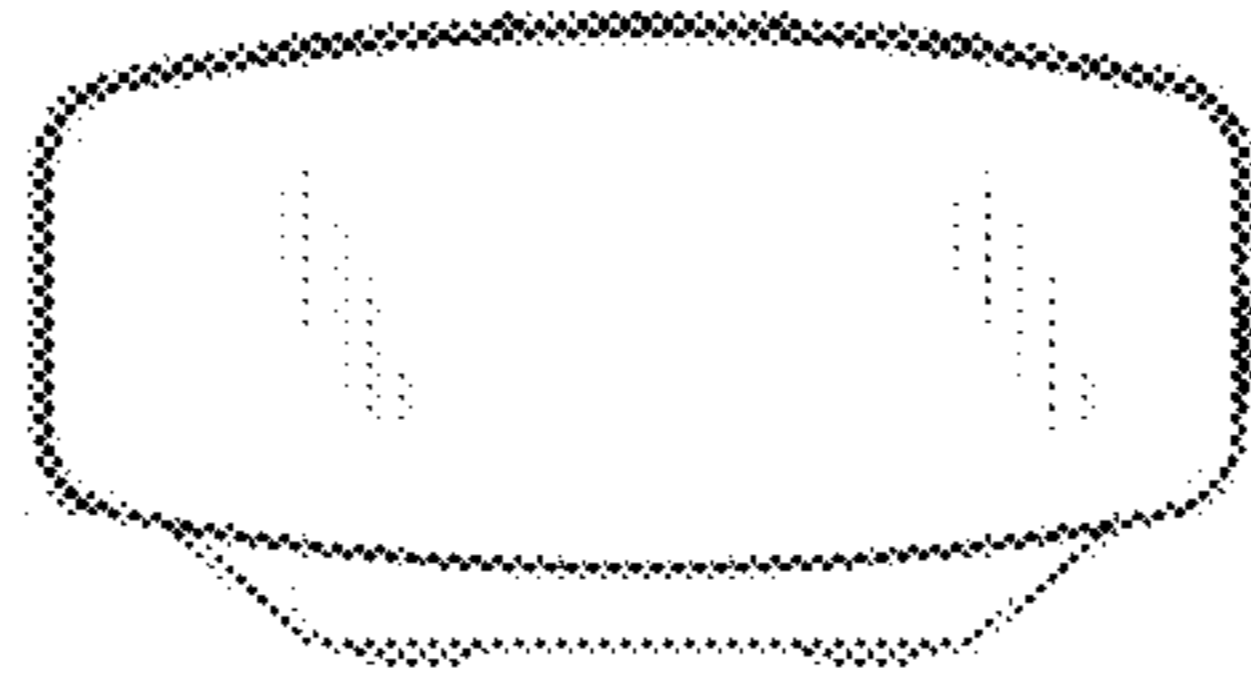


FIG. 4

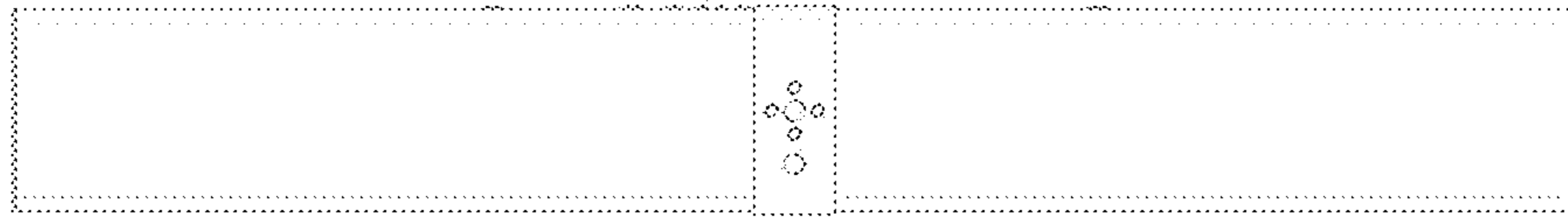


FIG. 5

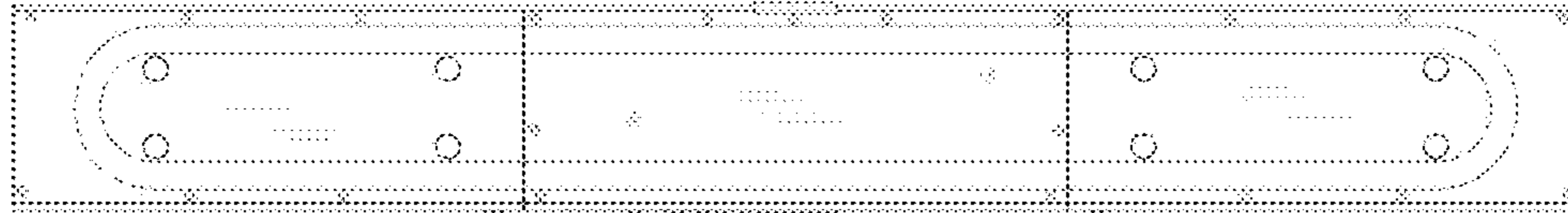


FIG. 6

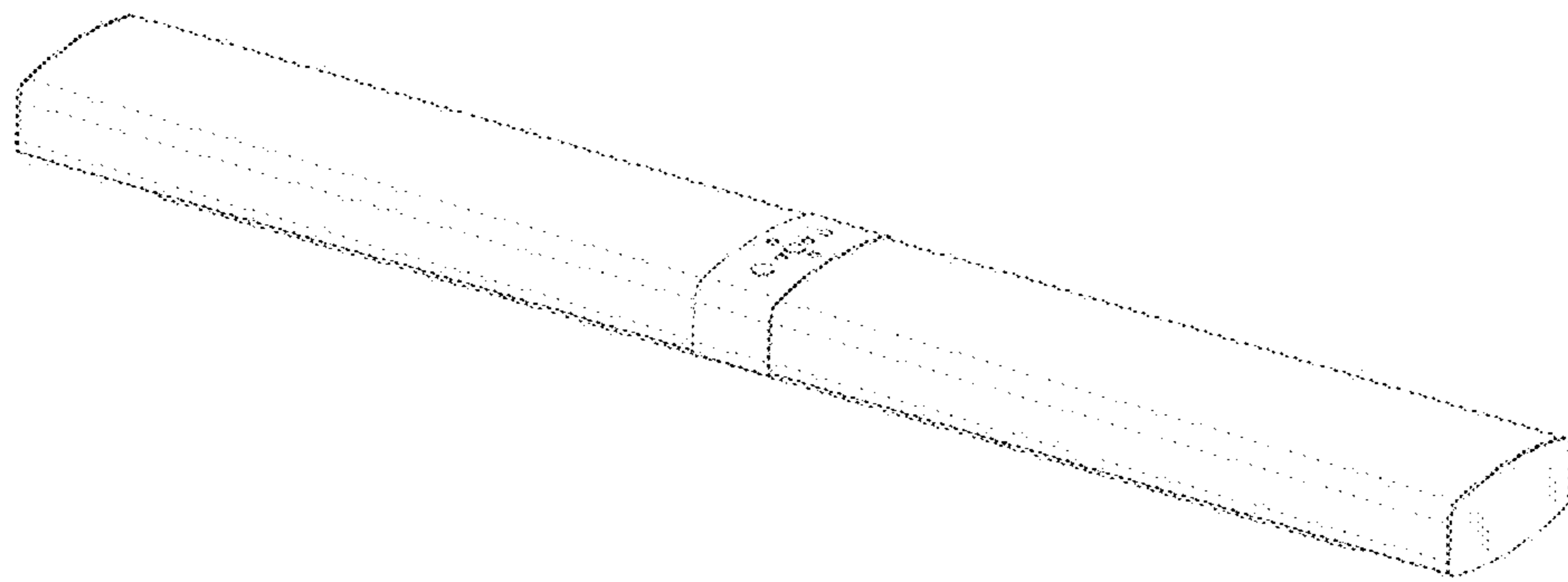


FIG. 7



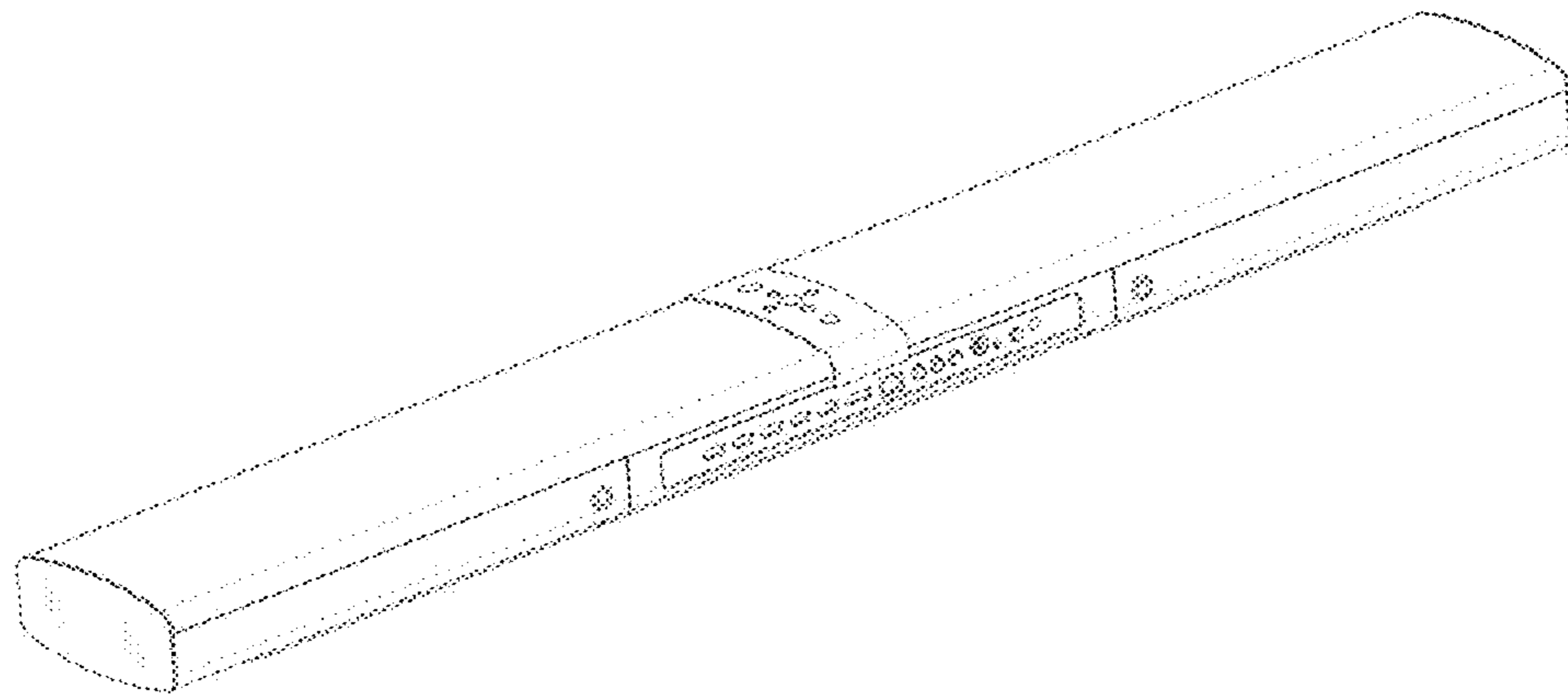


FIG. 8

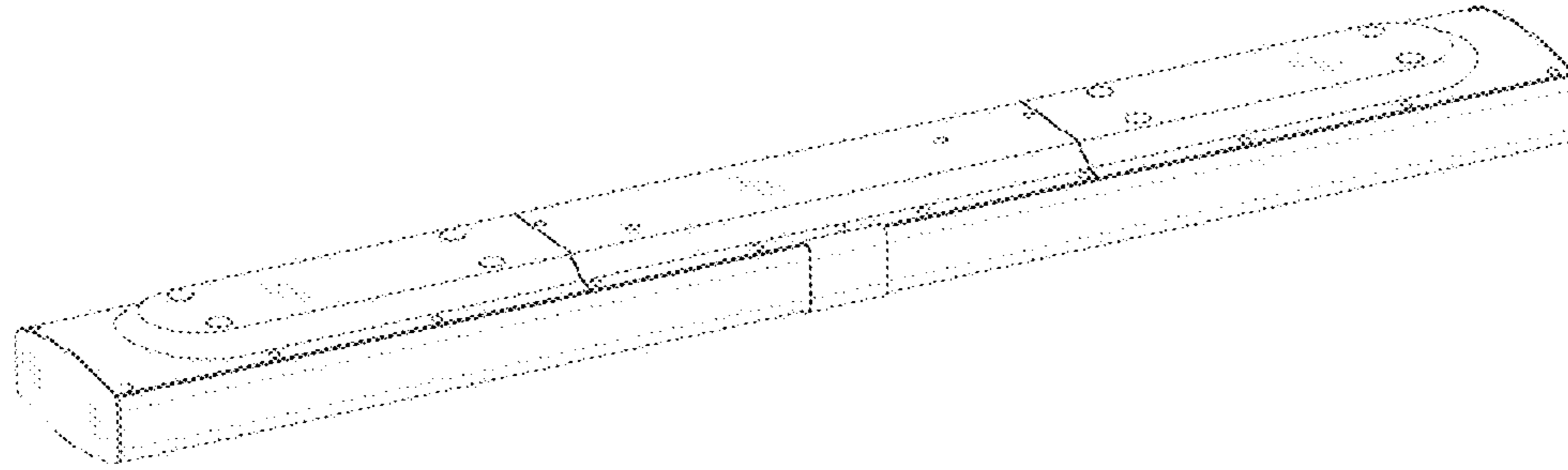


FIG. 9

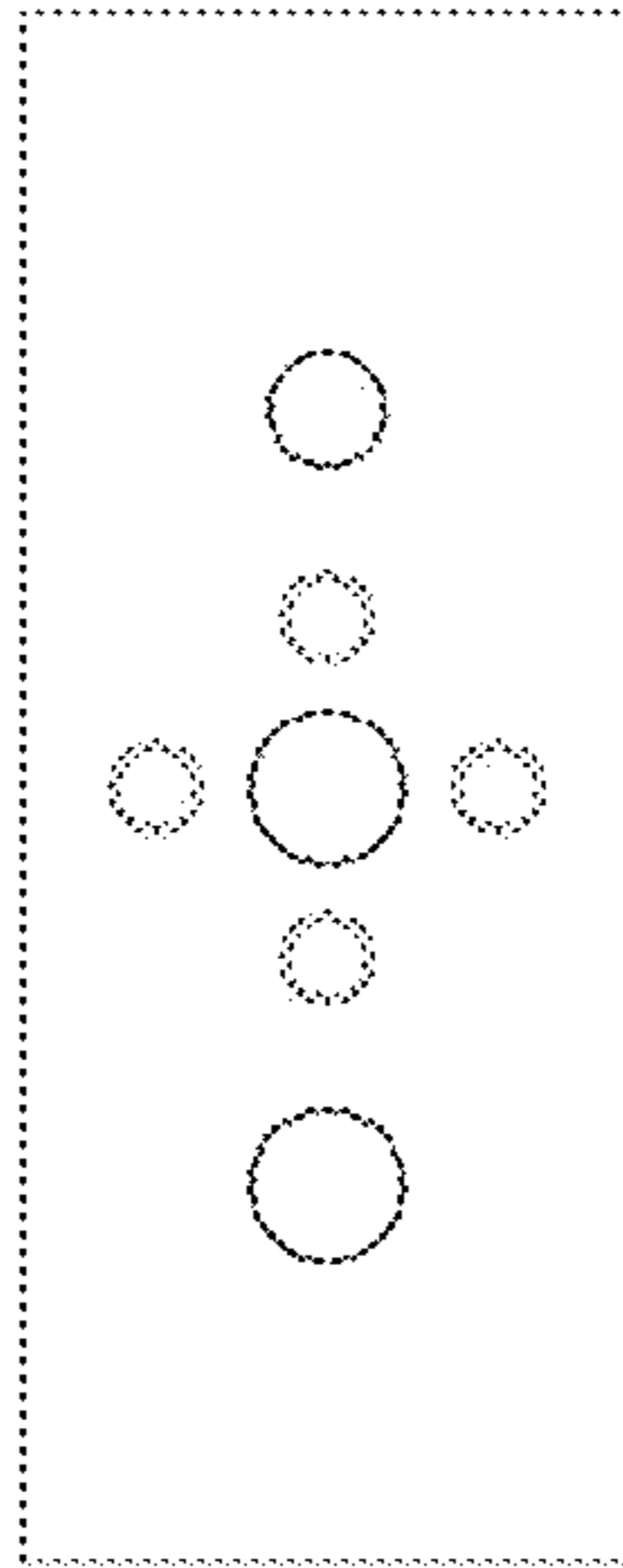


FIG. 10