

US00D827594S

(12) **United States Design Patent**
Shim et al.

(10) **Patent No.:** **US D827,594 S**

(45) **Date of Patent:** **** Sep. 4, 2018**

(54) **HOUSING FOR A SMART MOTOR SENSOR**

(71) Applicant: **W.W. Grainger, Inc.**, Lake Forest, IL (US)

(72) Inventors: **Jerry Shim**, Park Ridge, IL (US);
Ghikhan Blossfeld-Lau, Lake Forest, IL (US); **Yang Xu**, Lake Forest, IL (US)

(73) Assignee: **W.W. Grainger, Inc.**, Lake Forest, IL (US)

(**) Term: **15 Years**

(21) Appl. No.: **29/561,854**

(22) Filed: **Apr. 20, 2016**

(51) **LOC (11) Cl.** **13-03**

(52) **U.S. Cl.**
USPC **D13/184**

(58) **Field of Classification Search**
USPC D13/184; D10/46, 60, 74, 80, 104.1, 102
See application file for complete search history.

(56) **References Cited**

U.S. PATENT DOCUMENTS

D449,894 S * 10/2001 Novitsky D10/81
D557,624 S * 12/2007 Coster D10/70
D699,616 S * 2/2014 Ke D10/106.95

D764,957 S * 8/2016 Bhattacharya D10/104.1
D788,603 S * 6/2017 Liu D10/102
D800,313 S * 10/2017 Chang D24/167
9,875,582 B2 * 1/2018 Bolin G07C 3/04
D810,944 S * 2/2018 Goolkasian D24/167
D811,244 S * 2/2018 Klein D10/46
2017/0018165 A1 * 1/2017 Klein G08B 21/187

* cited by examiner

Primary Examiner — Lakiya G Rogers

Assistant Examiner — Harold E Blackwell, II

(74) *Attorney, Agent, or Firm* — Greenberg Traurig, LLP

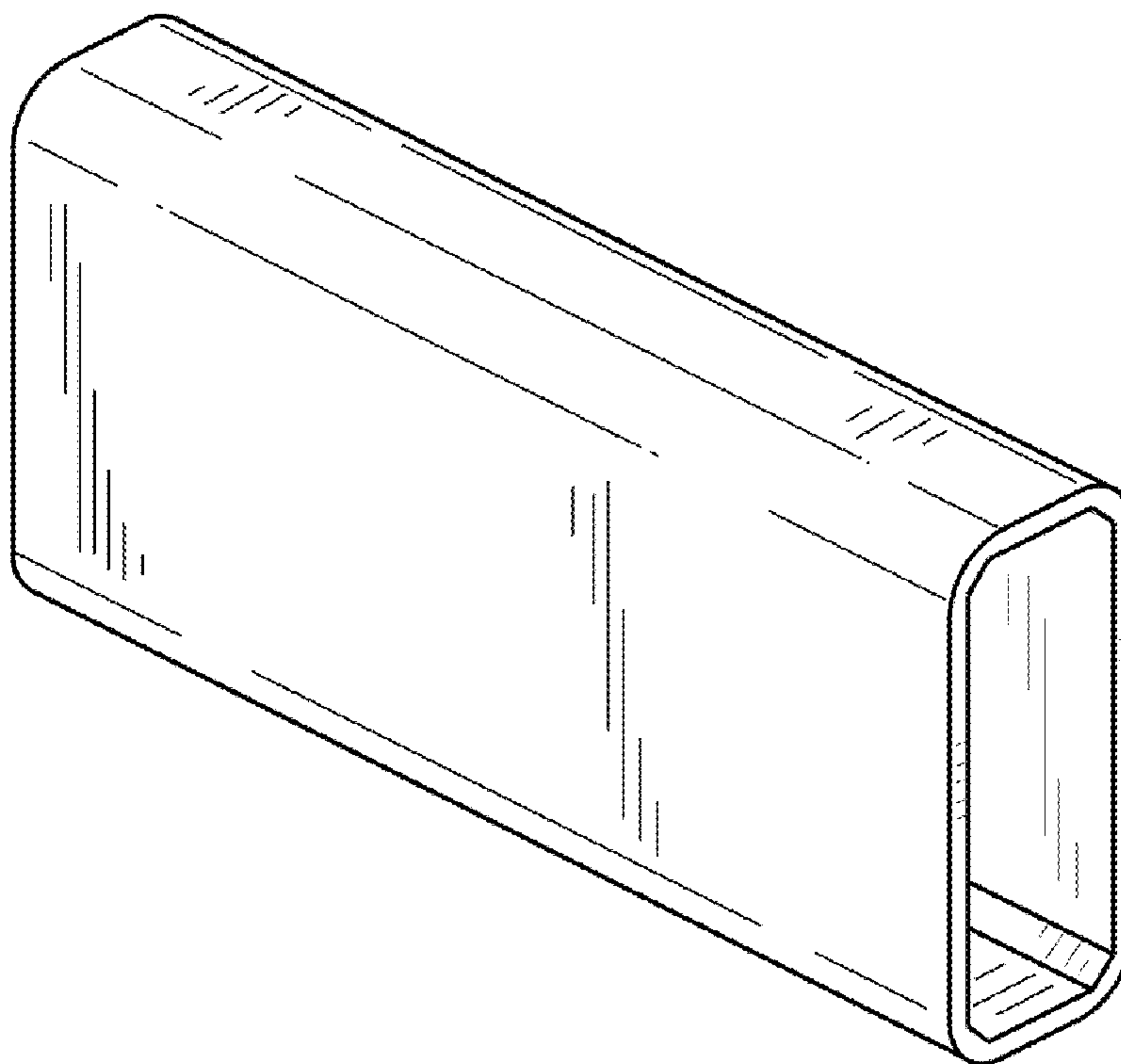
(57) **CLAIM**

The ornamental design for a housing for a smart motor sensor, as shown and described.

DESCRIPTION

FIG. 1 is a front perspective view of a housing for a smart motor sensor showing our new design;
FIG. 2 is a rear perspective view thereof;
FIG. 3 is a front side elevational view thereof;
FIG. 4 is a rear side elevational view thereof;
FIG. 5 is a top plan view thereof;
FIG. 6 is a bottom view thereof;
FIG. 7 is a right side elevational view thereof; and,
FIG. 8 is a left side elevational view thereof.
The broken lines shown in FIGS. 2, 4, and 7 illustrate portions of the smart motor sensor that form no part of the claimed design.

1 Claim, 3 Drawing Sheets



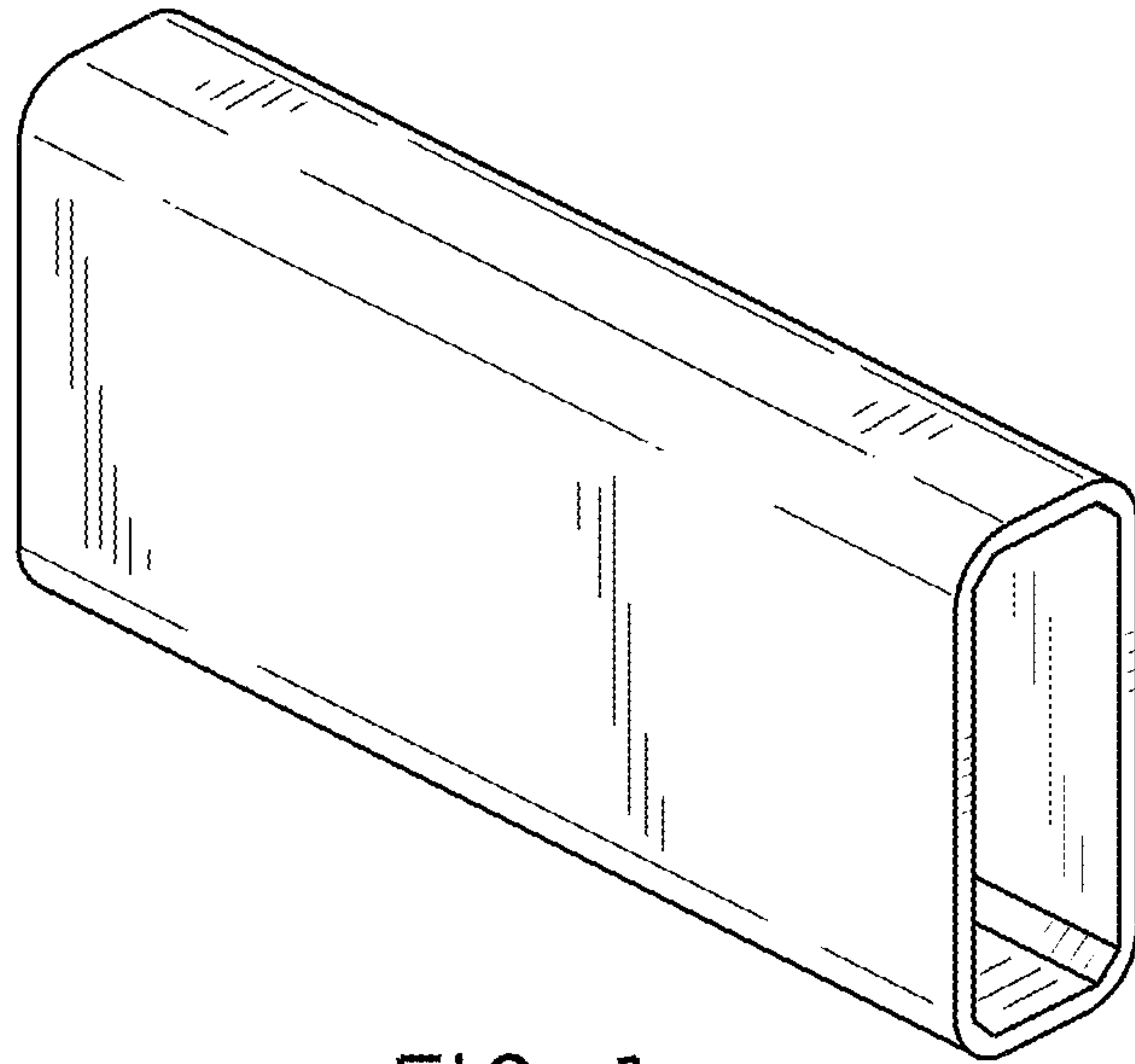


FIG. 1

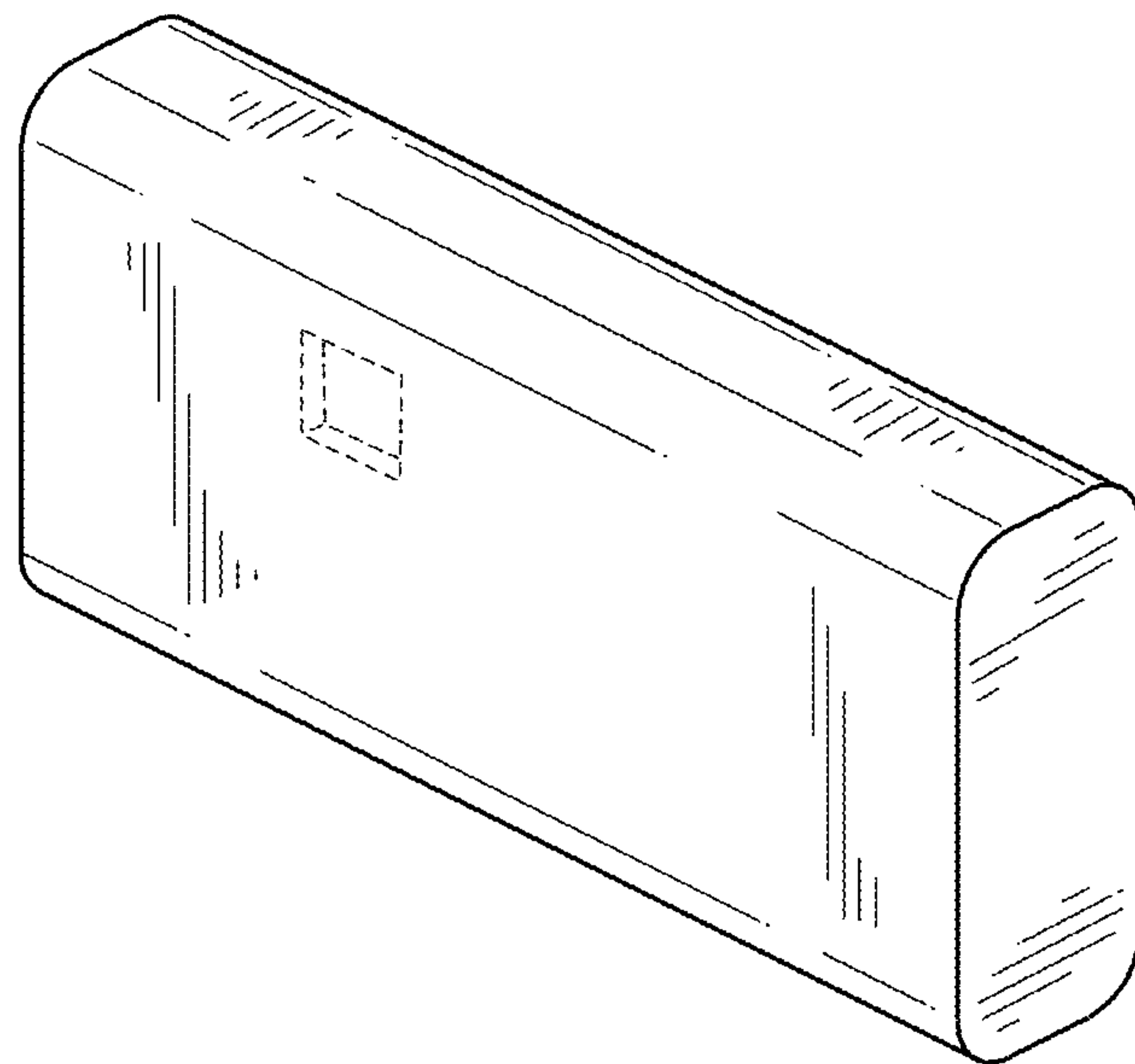


FIG. 2

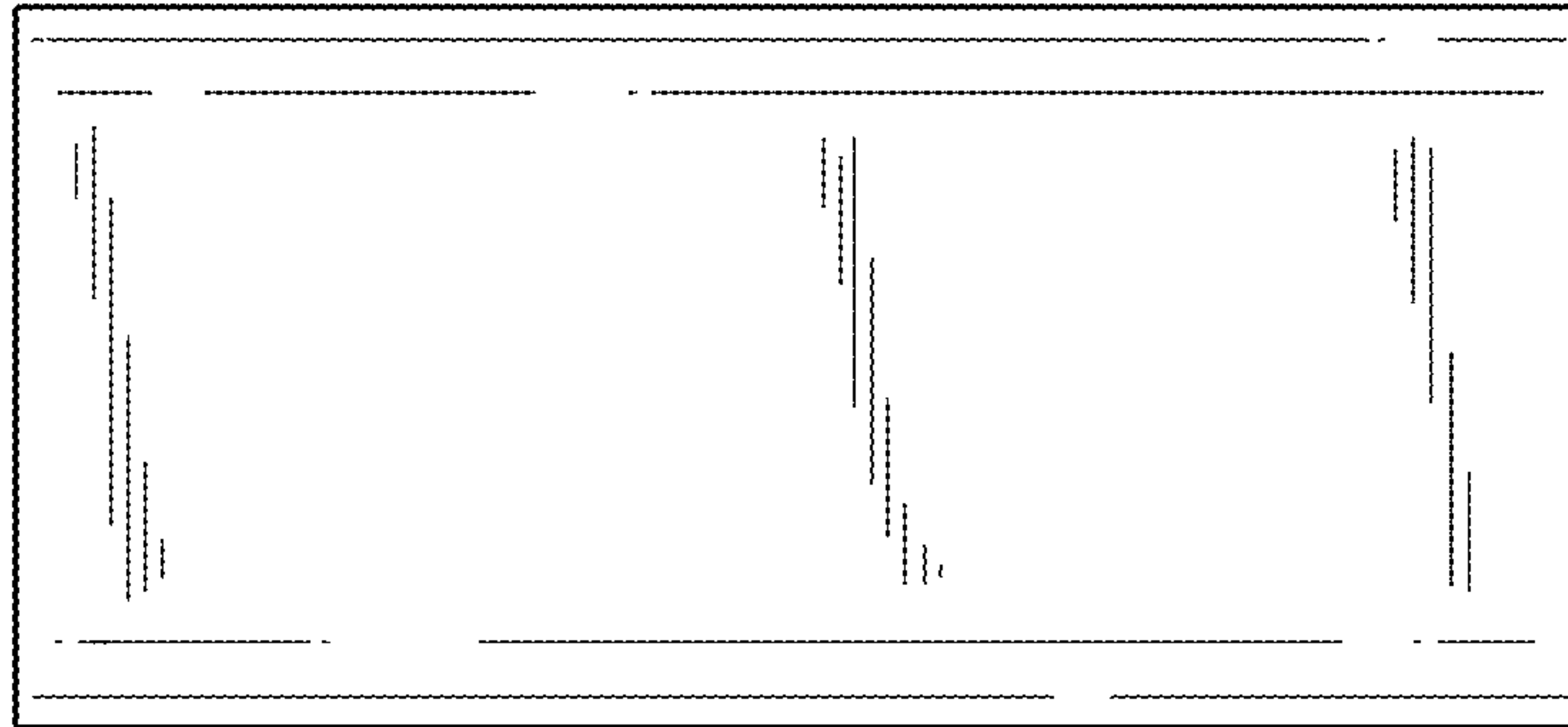


FIG. 3

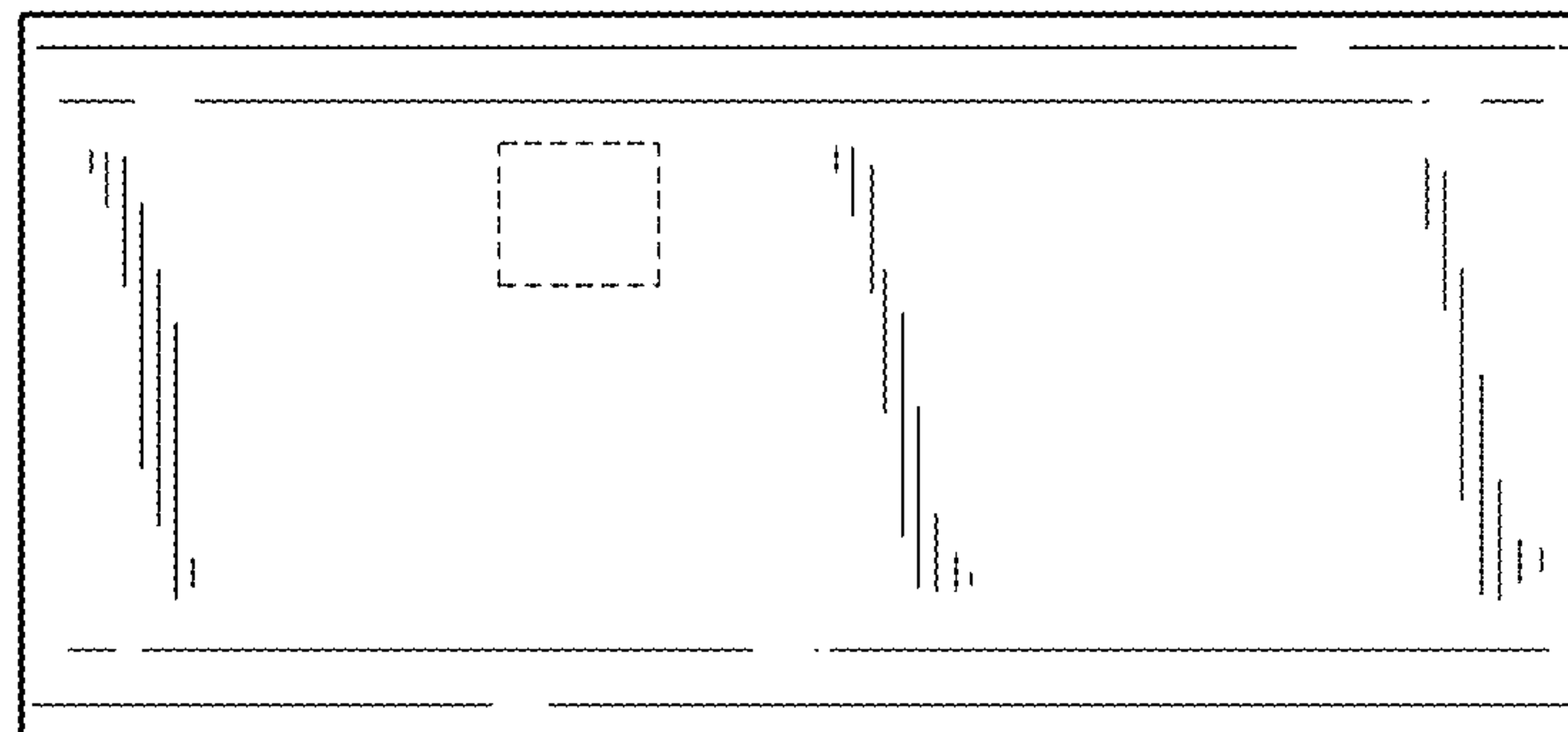


FIG. 4

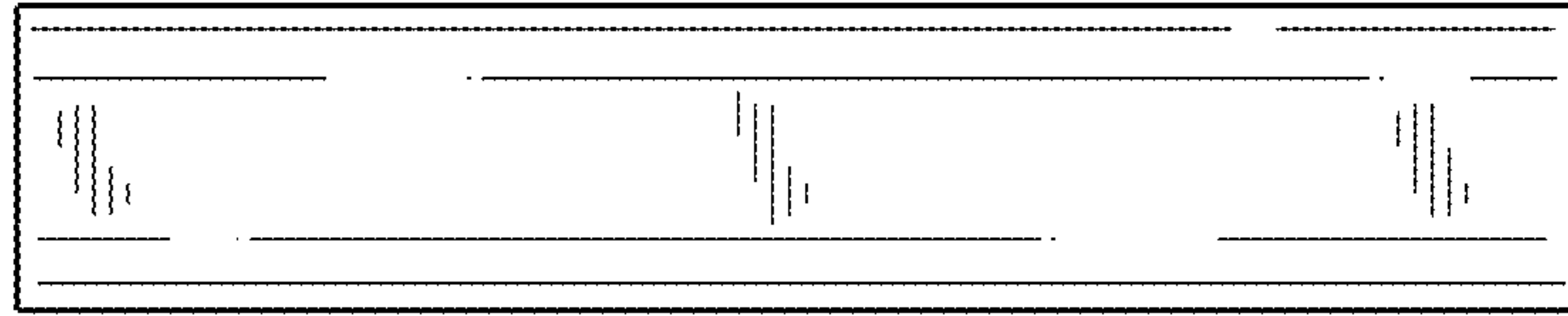


FIG. 5

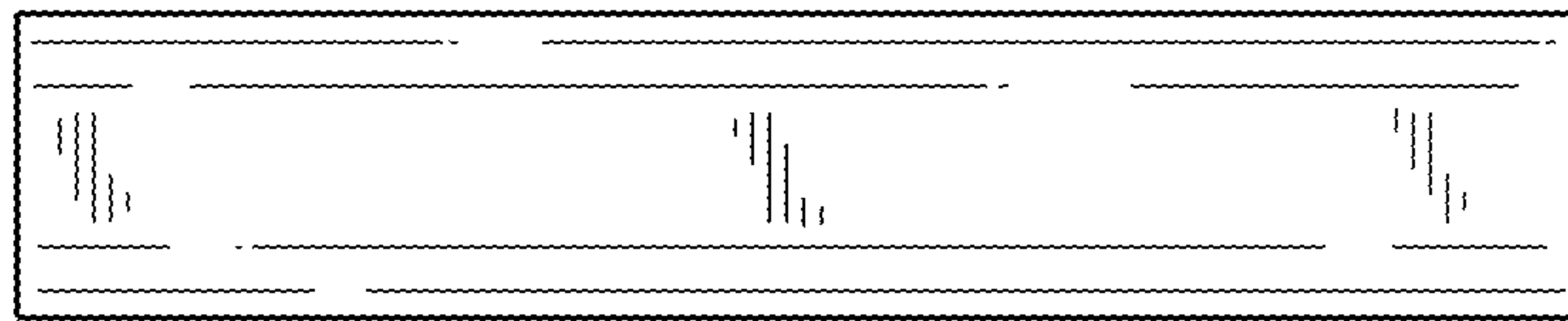


FIG. 6

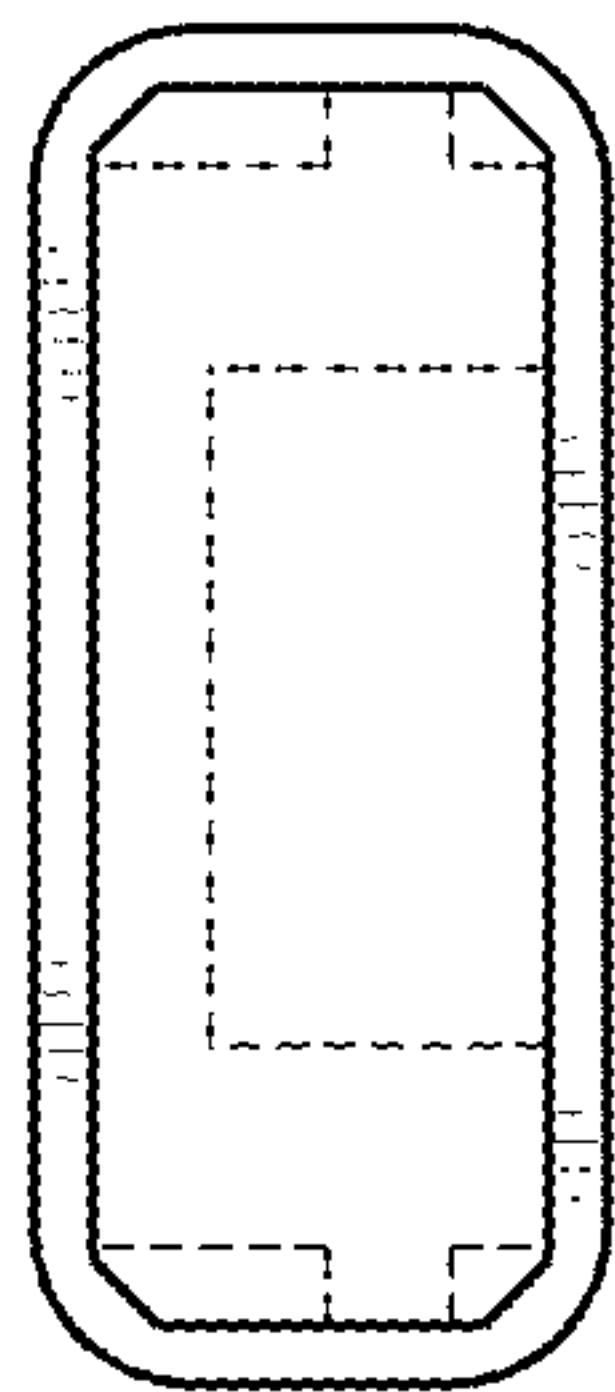


FIG. 7

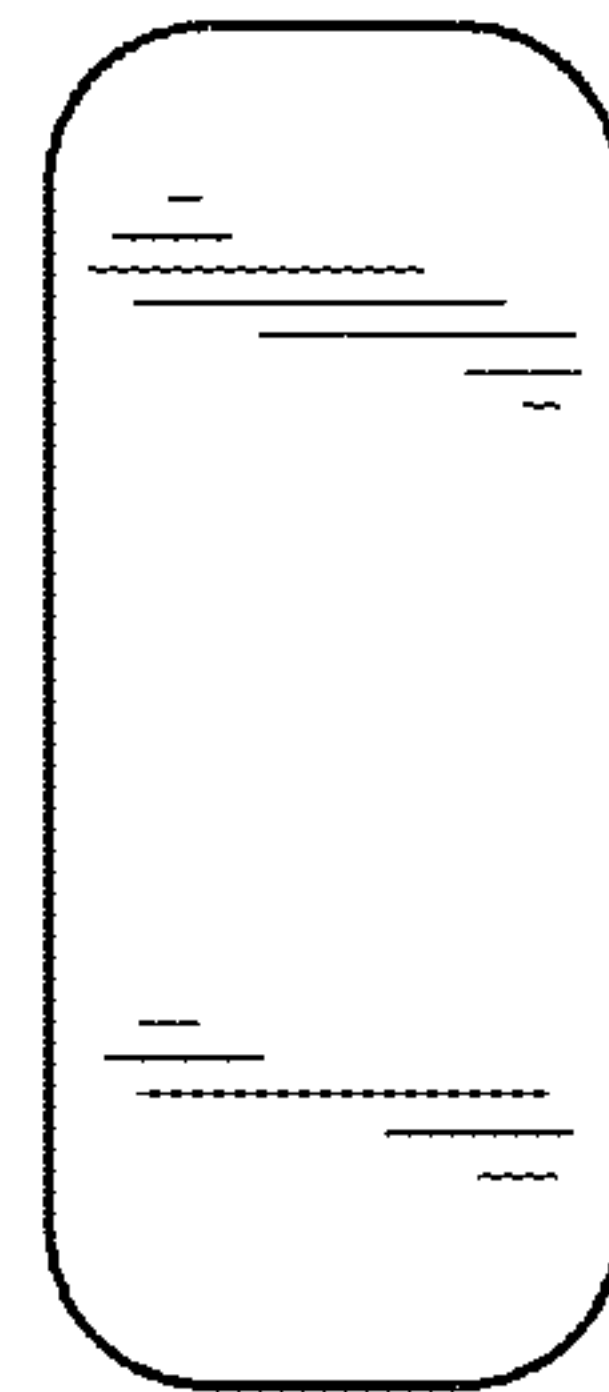


FIG. 8