



US00D827592S

(12) **United States Design Patent**
Ichino et al.

(10) **Patent No.: US D827,592 S**
(45) **Date of Patent: ** Sep. 4, 2018**

(54) **ELECTRODE COVER FOR A PLASMA PROCESSING APPARATUS**

(71) Applicant: **Hitachi High-Technologies Corporation**, Minato-ku, Tokyo (JP)

(72) Inventors: **Takamasa Ichino**, Tokyo (JP); **Kohei Sato**, Tokyo (JP); **Kazunori Nakamoto**, Tokyo (JP)

(73) Assignee: **Hitachi High-Technologies Corporation**, Tokyo (JP)

(**) Term: **15 Years**

(21) Appl. No.: **29/610,995**

(22) Filed: **Jul. 18, 2017**

(30) **Foreign Application Priority Data**

Jan. 31, 2017 (JP) 2017-001752

(51) **LOC (11) Cl.** **13-03**

(52) **U.S. Cl.**
USPC **D13/182**

(58) **Field of Classification Search**
USPC D13/158-177, 182, 18; 204/286.1, 204/297.1; 205/118, 123; 200/1 R, 5 R,
(Continued)

(56) **References Cited**

U.S. PATENT DOCUMENTS

D404,372 S * 1/1999 Ishii D13/182
D494,551 S 8/2004 Doba
(Continued)

FOREIGN PATENT DOCUMENTS

JP D1210213 S 6/2004
JP D1361441 S 6/2009
JP D1551512 S 6/2016

OTHER PUBLICATIONS

Ichino et al., Design U.S. Appl. No. 29/610,996, filed Jul. 18, 2017.

(Continued)

Primary Examiner — Elizabeth J Oswecki

(74) *Attorney, Agent, or Firm* — Crowell & Moring, LLP

(57) **CLAIM**

The ornamental design for an electrode cover for a plasma processing apparatus, as shown and described.

DESCRIPTION

This application contains subject matter related to the following co-pending U.S. design patent applications:

Application Ser. No. 29/610,996, filed herewith and entitled “Electrode Cover for a Plasma Processing Apparatus”;

Application Ser. No. 29/610,998, filed herewith and entitled “Ring for a Plasma Processing Apparatus”;

Application Ser. No. 29/610,999, filed herewith and entitled “Cover Ring for a Plasma Processing Apparatus”; and

Application Ser. No. 29/611,001, filed herewith and entitled “Discharge Chamber for a Plasma Processing Apparatus”.

FIG. 1 is a front, top and right side perspective view of an electrode cover for a plasma processing apparatus, showing our new design;

FIG. 2 is a front, bottom and right side perspective view thereof;

FIG. 3 is a front elevational view thereof;

FIG. 4 is a rear elevational view thereof;

FIG. 5 is a right side elevational view thereof;

FIG. 6 is a left side elevational view thereof;

FIG. 7 is a top plan view thereof;

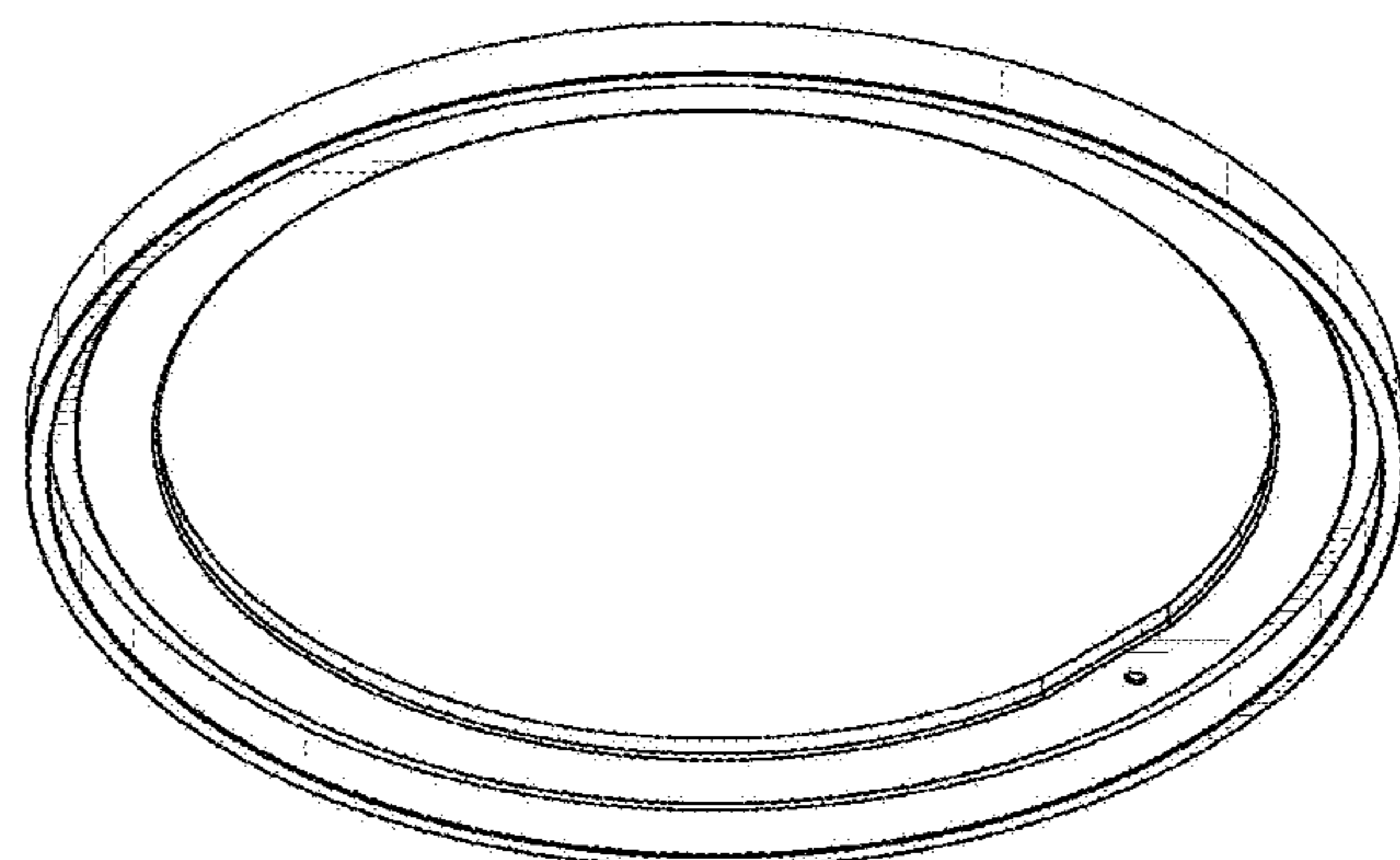
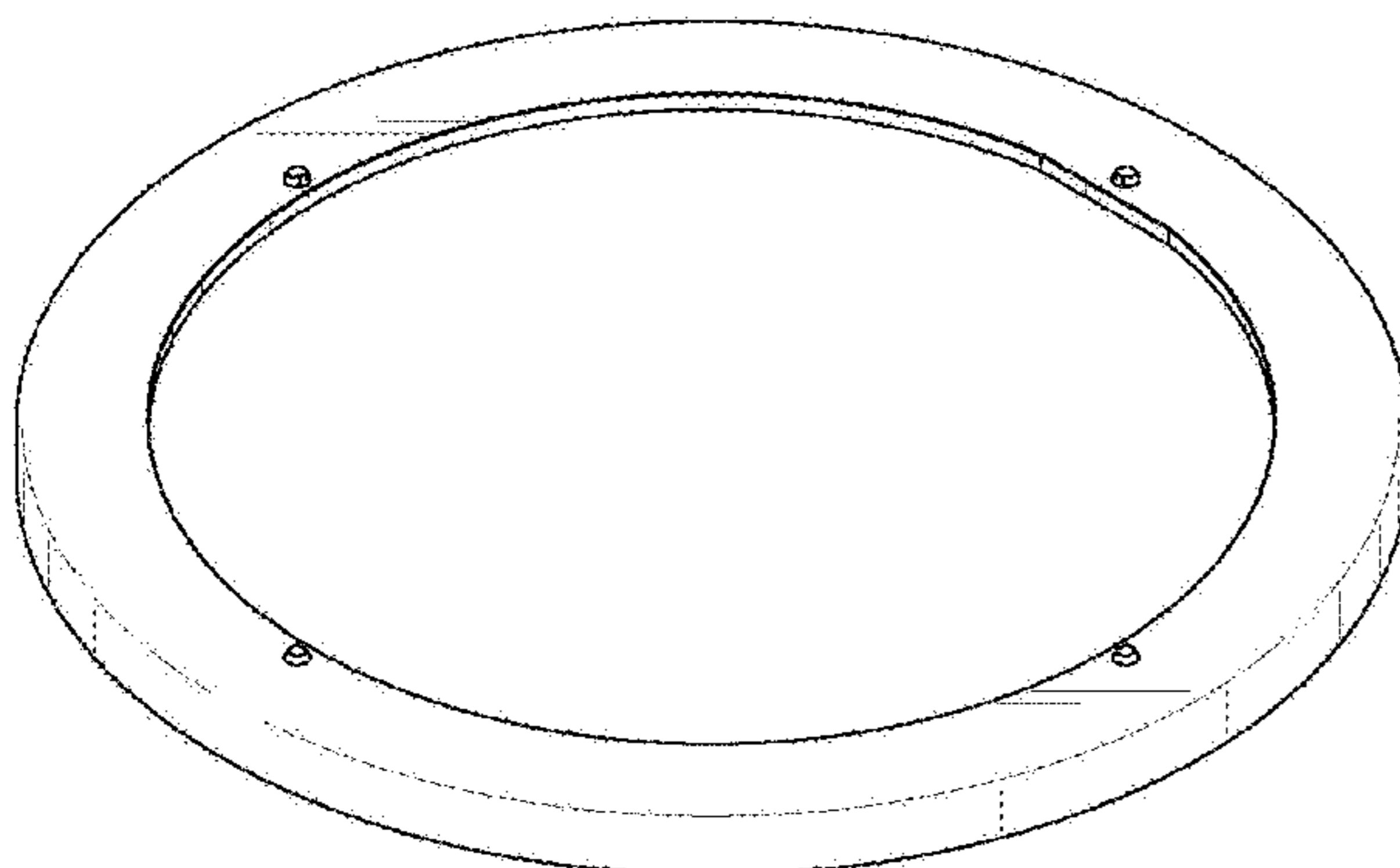
FIG. 8 is a bottom plan view thereof;

FIG. 9 is a cross-sectional view taken along line 9-9 of FIG. 3; and,

FIG. 10 is an enlarged view of the portion shown in BOX 10 in FIG. 9.

The box labeled FIG. 10 in FIG. 9 is shown in broken lines and forms no part of the claimed design.

1 Claim, 5 Drawing Sheets



(58) **Field of Classification Search**
 USPC ... 200/52 R, 315, 310, 6 A, 302.1, 308, 314,
 200/317, 11 R, 16 B
 CPC C25D 17/10; C25D 17/12; C25D 17/14;
 C25D 17/06; C25D 17/08; C25D 7/12;
 C25D 7/10; H01L 21/283; H01H 9/02;
 H01H 9/0214; H01H 9/04; H01H 9/161;
 H01H 13/04; H01H 13/06; H01H 13/023;
 H01H 21/08; H01H 19/025
 See application file for complete search history.

(56) **References Cited**

U.S. PATENT DOCUMENTS

D557,226 S	12/2007	Uchino et al.	
D557,425 S	12/2007	Nakamura et al.	
D559,993 S *	1/2008	Nagakubo	D24/232
D559,994 S	1/2008	Nagakubo et al.	
D699,199 S *	2/2014	Kuwabara	D13/182
D699,200 S *	2/2014	Nagakubo	D13/182
D709,536 S *	7/2014	Yoshimura	D15/138
D709,537 S *	7/2014	Kuwabara	D15/138
D709,538 S *	7/2014	Mizukami	D15/138
D709,539 S *	7/2014	Kuwabara	D15/138
D717,746 S *	11/2014	Lau	D13/182
D729,730 S *	5/2015	Gillespie-Brown	D13/110

D770,992 S	11/2016	Tauchi et al.	
D783,922 S *	4/2017	Kirkland	D34/29
D789,888 S *	6/2017	Jang	D13/121
D797,691 S *	9/2017	Joubert	D13/182
D803,917 S *	11/2017	Harada	D15/144.1
D804,556 S *	12/2017	Harada	D15/144.1
D810,705 S *	2/2018	Krishnan	D13/182
D813,181 S *	3/2018	Okajima	D13/182
2004/0077167 A1 *	4/2004	Willis	B24B 37/32 438/689
2009/0050272 A1 *	2/2009	Rosenberg	C23C 14/50 156/345.51
2012/0263569 A1 *	10/2012	Priddy	C30B 23/02 414/800
2015/0024330 A1 *	1/2015	Tian	C23C 16/46 432/9
2016/0002788 A1 *	1/2016	Nal	C23C 16/45504 118/724

OTHER PUBLICATIONS

Ichino et al., Design U.S. Appl. No. 29/610,998, filed Jul. 18, 2017.
 Ichino et al., Design U.S. Appl. No. 29/610,999, filed Jul. 18, 2017.
 Nunomura et al., Design U.S. Appl. No. 29/611,001, filed Jul. 18, 2017.

* cited by examiner

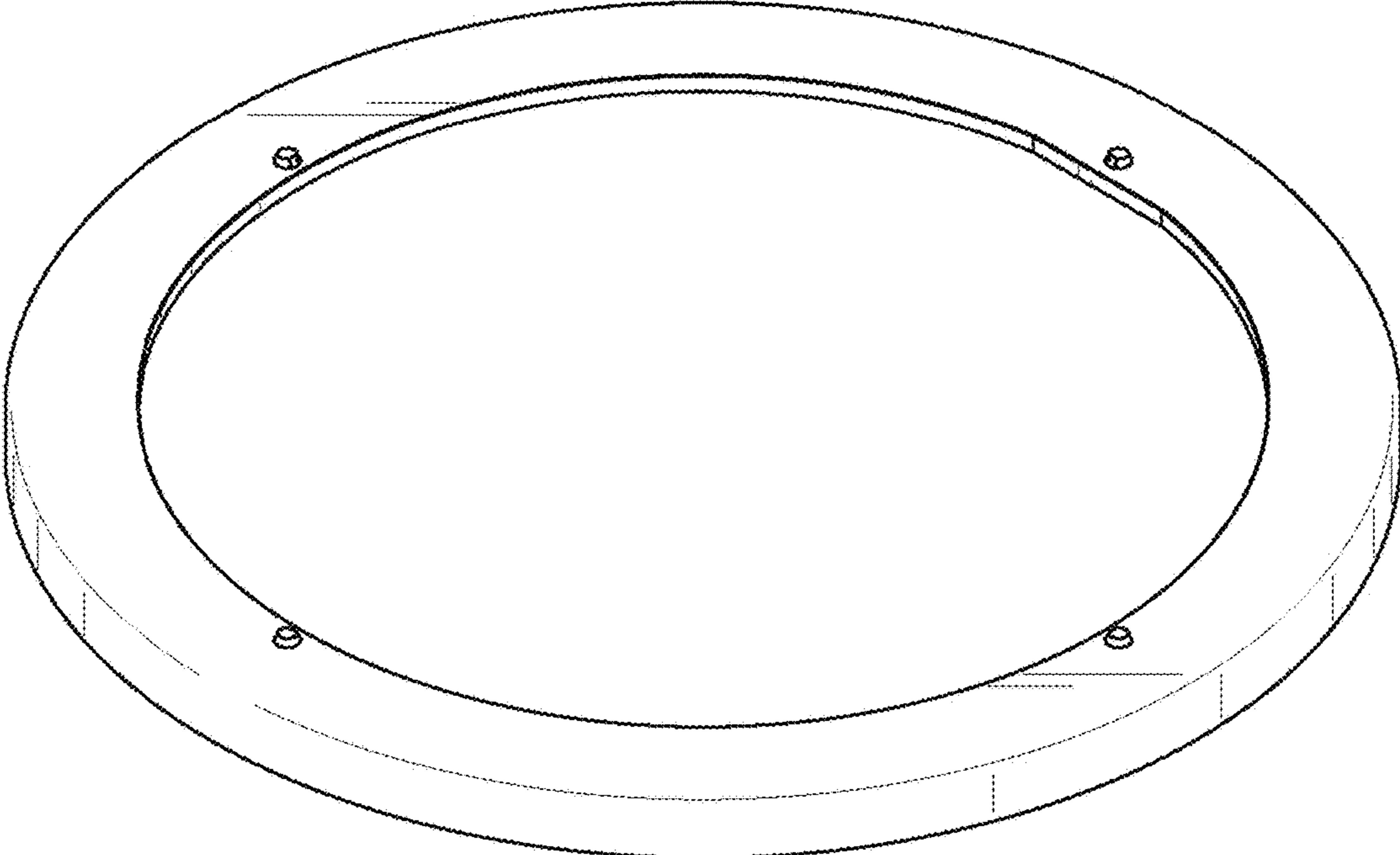


FIG. 1

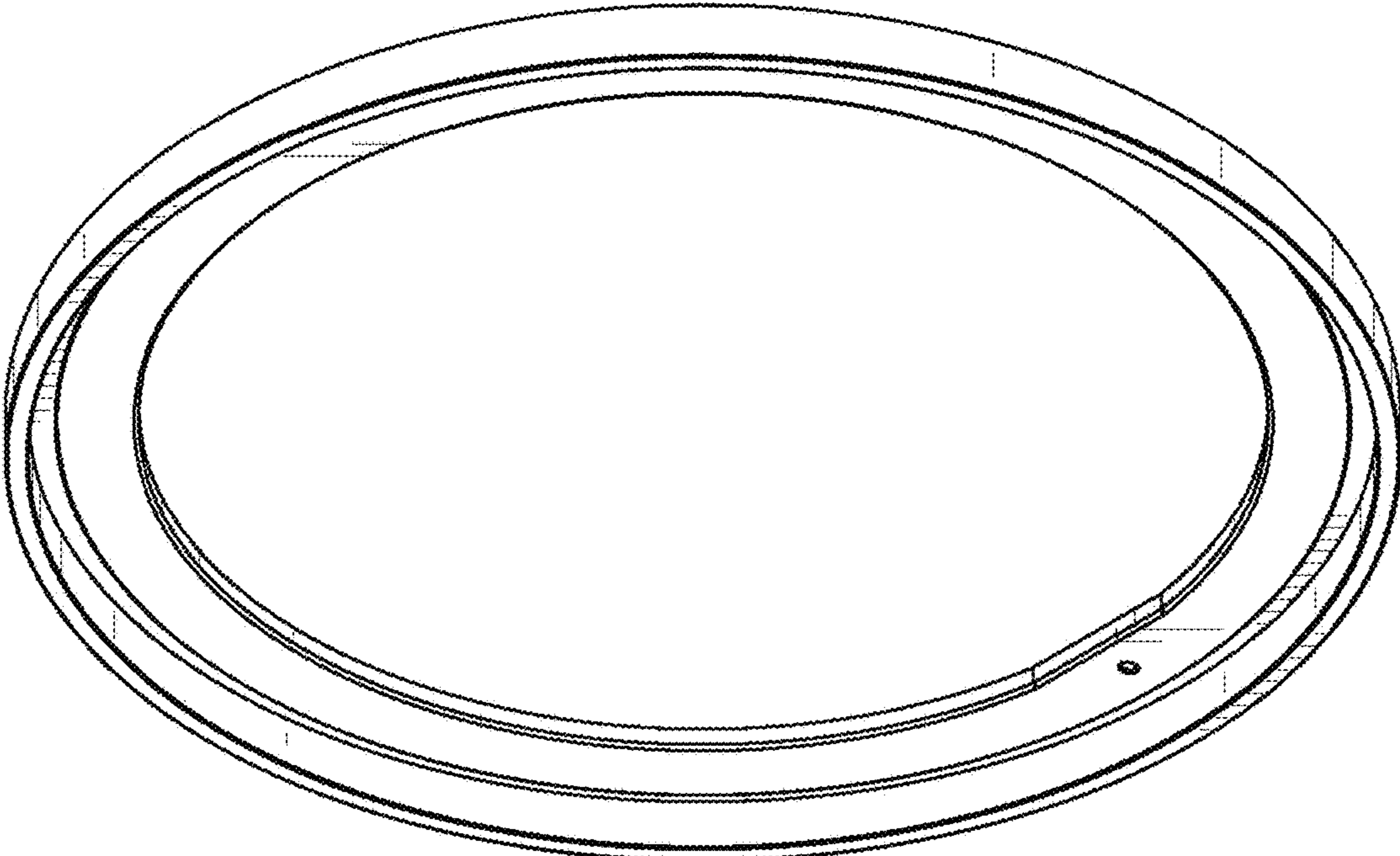


FIG. 2

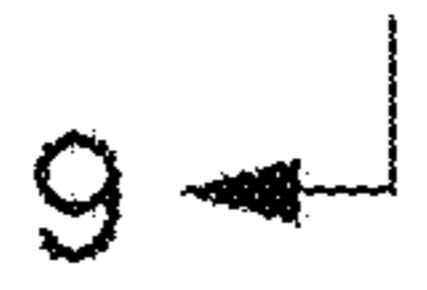
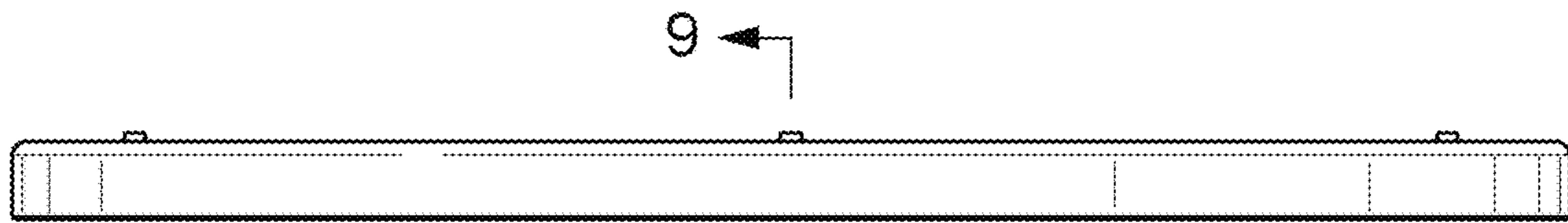


FIG. 3



FIG. 4



FIG. 5



FIG. 6

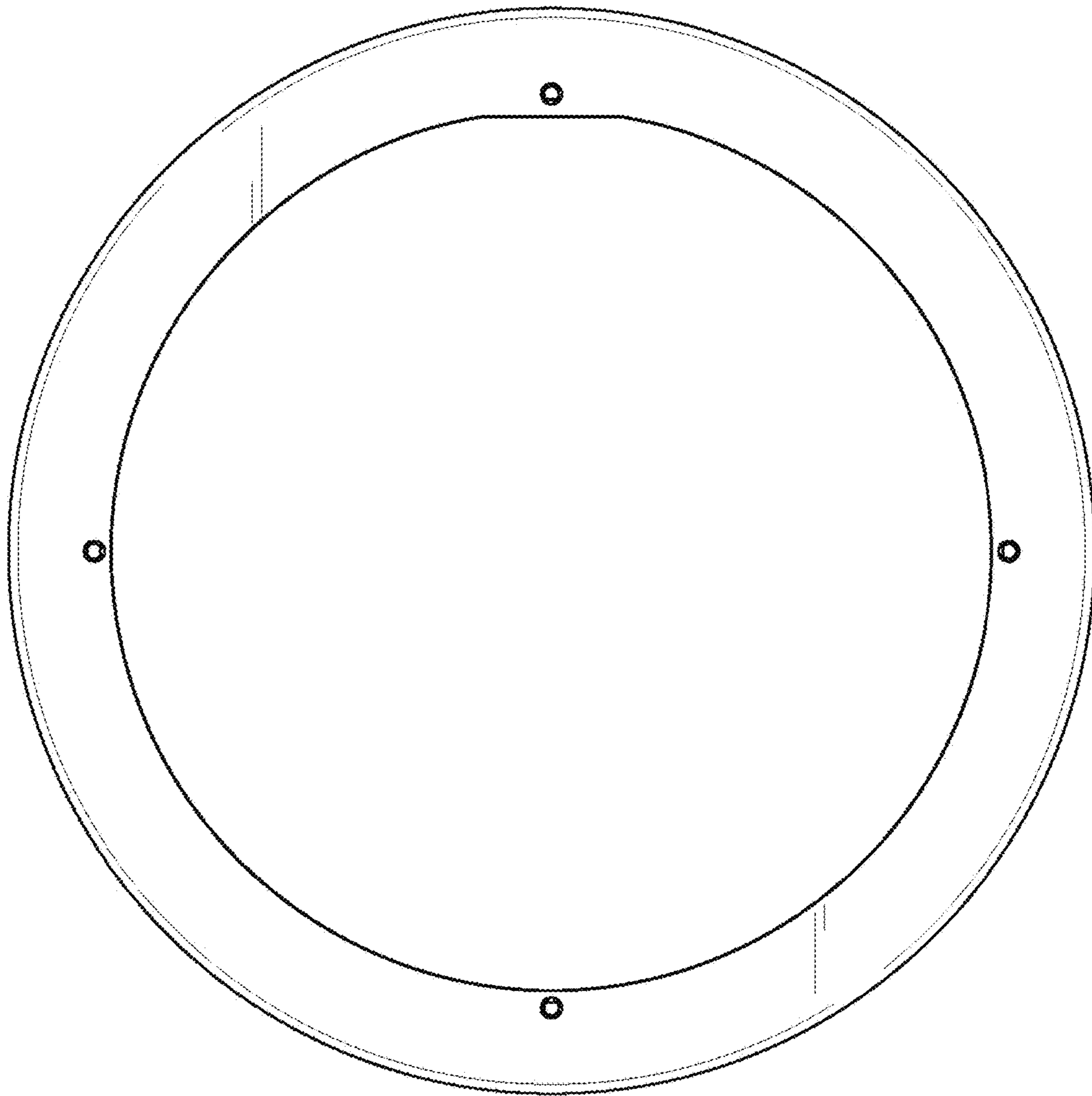


FIG. 7

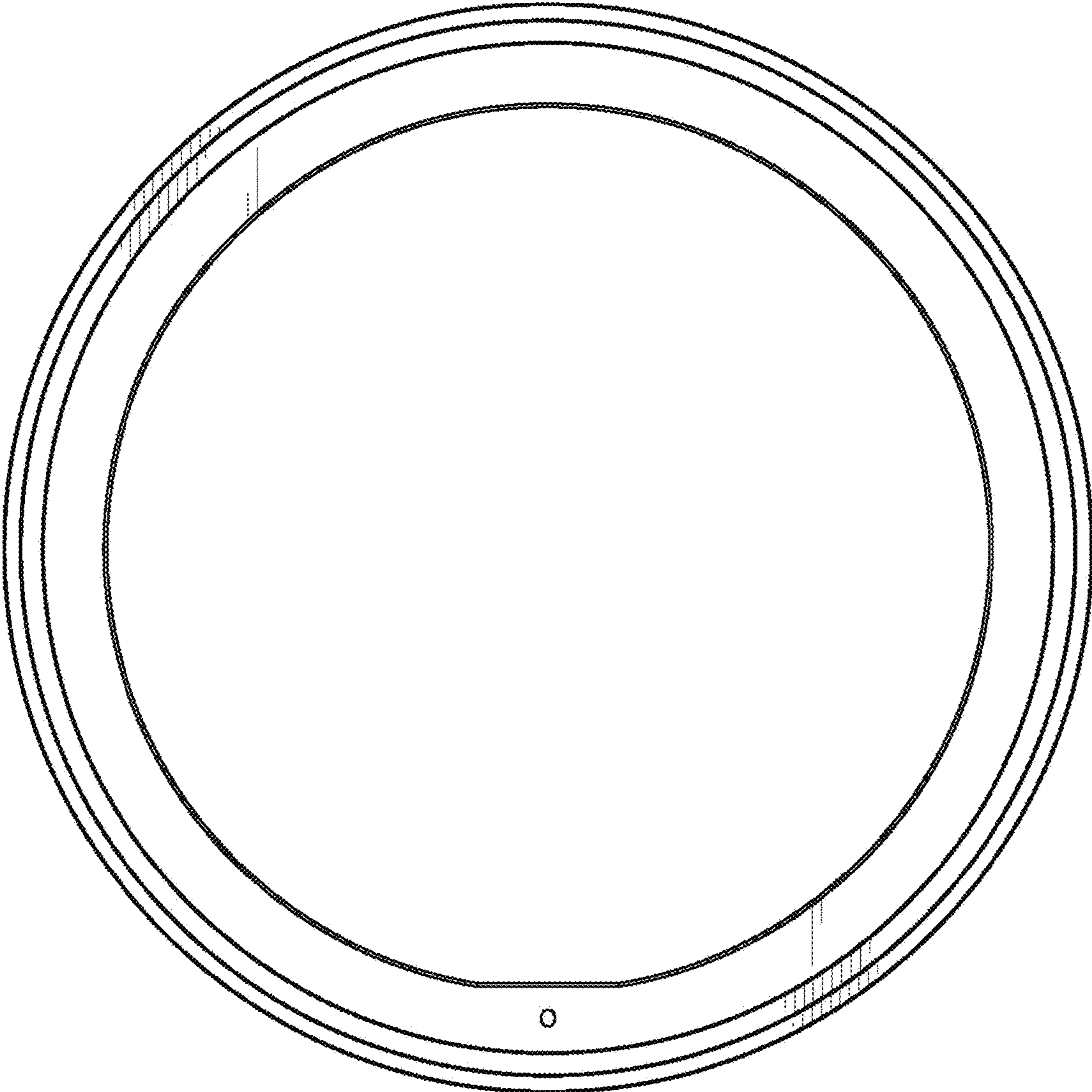


FIG. 8

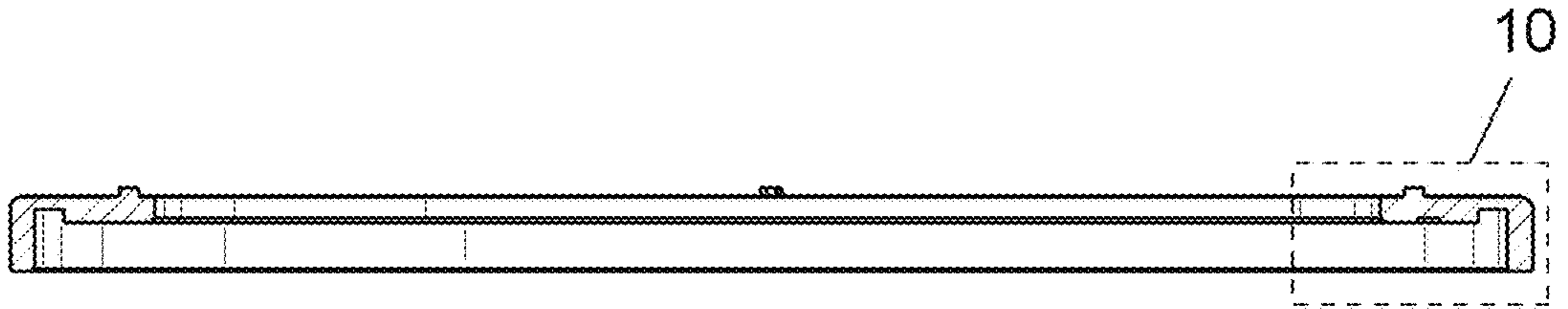


FIG. 9

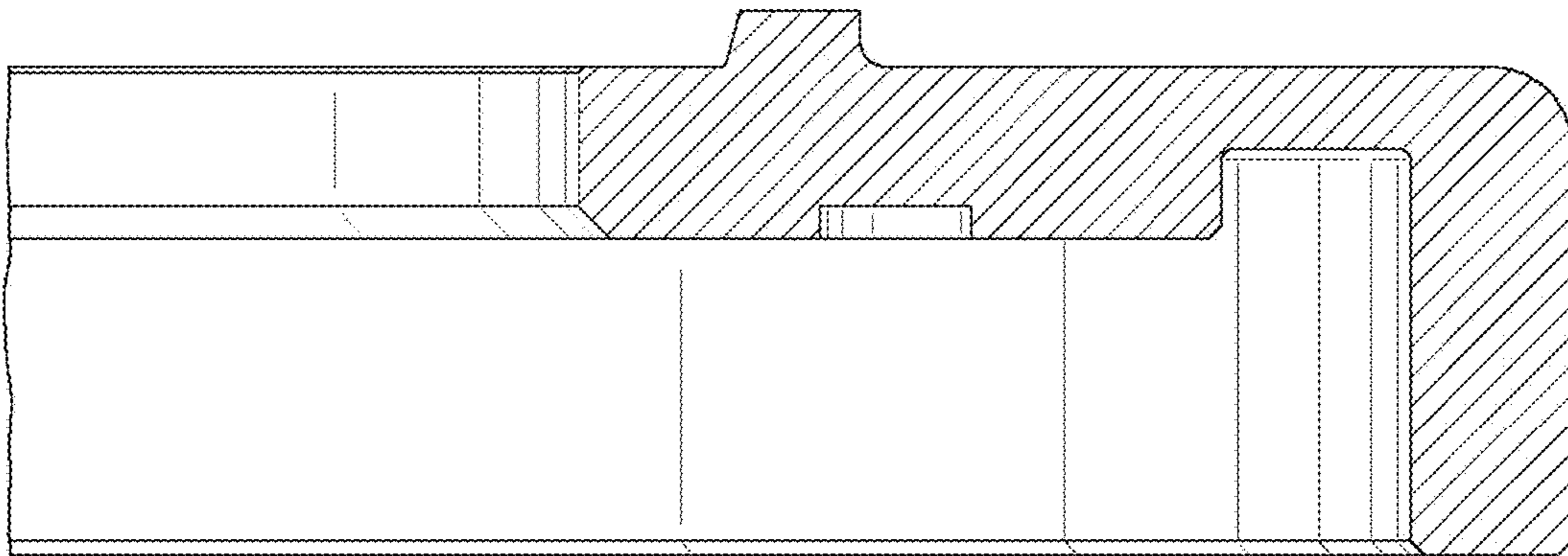


FIG. 10