



US00D827586S

(12) **United States Design Patent** (10) **Patent No.:** **US D827,586 S**  
**Bettcher, III et al.** (45) **Date of Patent:** **\*\* Sep. 4, 2018**

(54) **VEHICLE LIFT PLATFORM HAND SWITCH**

D554,080 S \* 10/2007 Lekura ..... D13/168  
D663,252 S \* 7/2012 Bondesson ..... D12/317  
D746,758 S \* 1/2016 Dannenberg ..... D12/317  
D813,826 S \* 3/2018 Dalton ..... D13/168

(71) Applicant: **The Braun Corporation**, Winamac, IN (US)

\* cited by examiner

(72) Inventors: **Robert E. Bettcher, III**, Winamac, IN (US); **Justin M. Kline**, Westfield, IN (US); **Austin D. Metzger**, Rensselaer, IN (US); **Steven Visser**, West Lafayette, IN (US); **Yingxiao Cao**, West Lafayette, IN (US)

*Primary Examiner* — Robert M. Spear  
(74) *Attorney, Agent, or Firm* — Taft Stettinius & Hollister LLP; Ryan O. White

(73) Assignee: **The Braun Corporation**, Winamac, IN (US)

(57) **CLAIM**

The ornamental design for a vehicle lift platform hand switch, as shown and described.

(\*\*) Term: **15 Years**

**DESCRIPTION**

(21) Appl. No.: **29/566,188**

(22) Filed: **May 27, 2016**

(51) **LOC (11) Cl.** ..... **13-03**

(52) **U.S. Cl.**  
USPC ..... **D13/169**

(58) **Field of Classification Search**  
USPC ..... D12/174, 179; D14/412, 415, 416;  
D15/5, 7, 28; D21/333; D34/35;  
D13/168, 169; D23/245, 250, 499  
CPC .... H01H 25/04; H01H 25/041; H01H 25/043;  
F16H 59/0204  
See application file for complete search history.

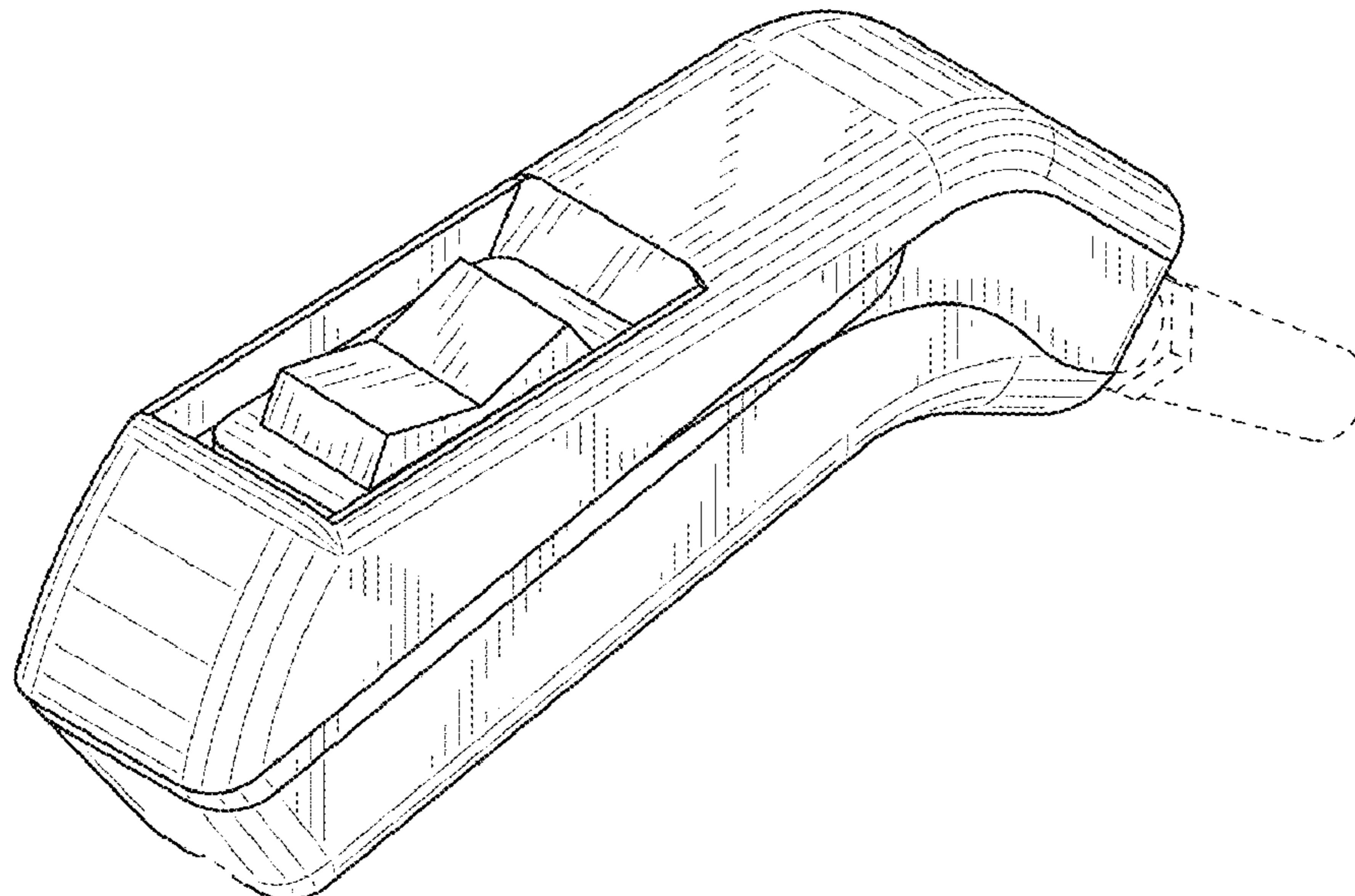
FIG. 1 is a front perspective view of a vehicle lift platform hand switch that shows our new, original and ornamental design.  
FIG. 2 is a left side view of the vehicle lift platform hand switch of FIG. 1.  
FIG. 3 is a right side view of the vehicle lift platform hand switch of FIG. 1.  
FIG. 4 is a front view of the vehicle lift platform hand switch of FIG. 1.  
FIG. 5 is a rear view of the vehicle lift platform hand switch of FIG. 1.  
FIG. 6 is a top view of the vehicle lift platform hand switch of FIG. 1; and,  
FIG. 7 is a bottom view of the vehicle lift platform hand switch of FIG. 1.  
The broken lines in the drawings depict portions of the vehicle lift platform hand switch that form no part of the claimed design.

(56) **References Cited**

U.S. PATENT DOCUMENTS

D497,347 S \* 10/2004 Iekura ..... D13/168  
D502,148 S \* 2/2005 Iekura ..... D13/168

**1 Claim, 4 Drawing Sheets**



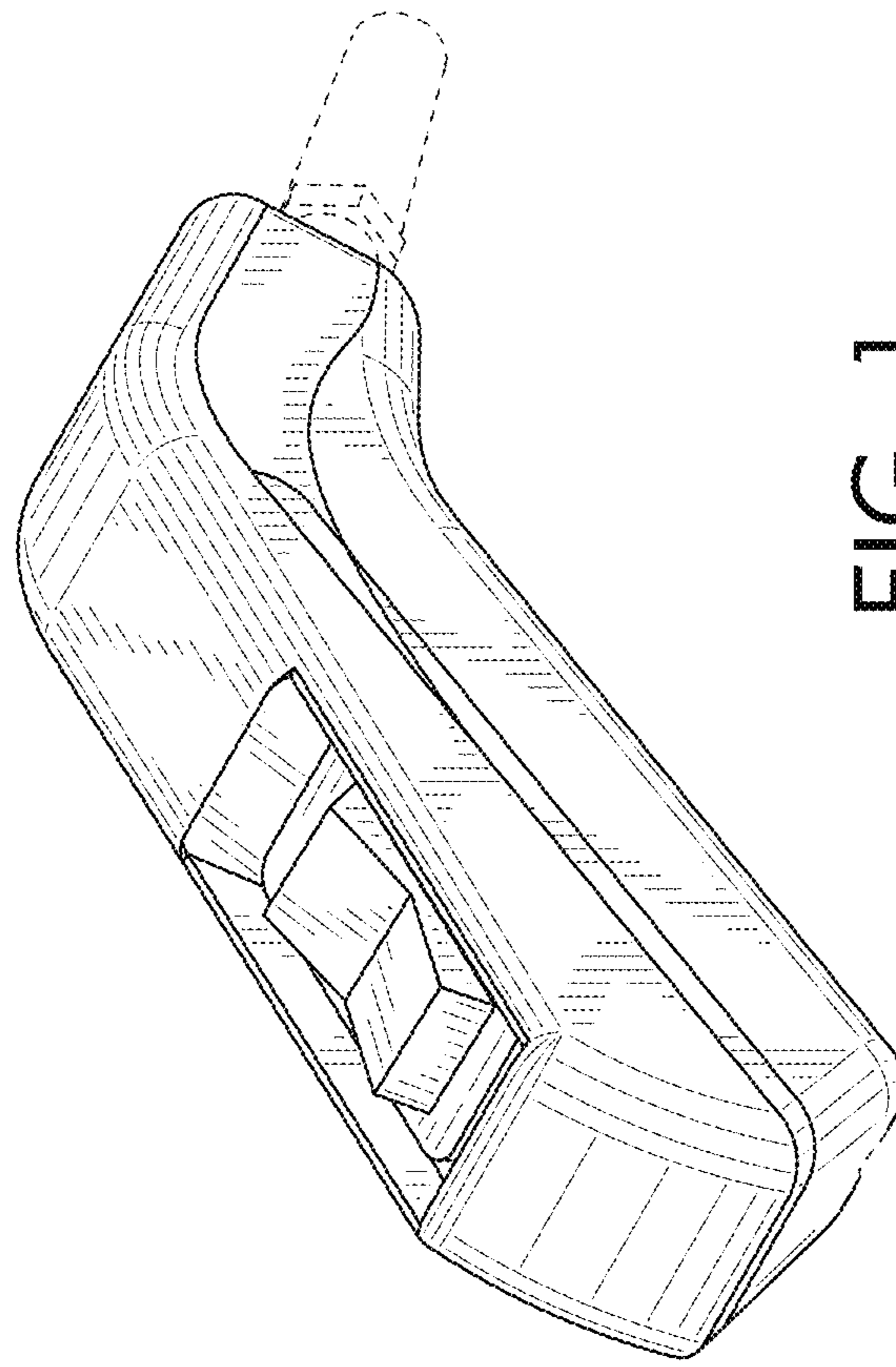


FIG. 1

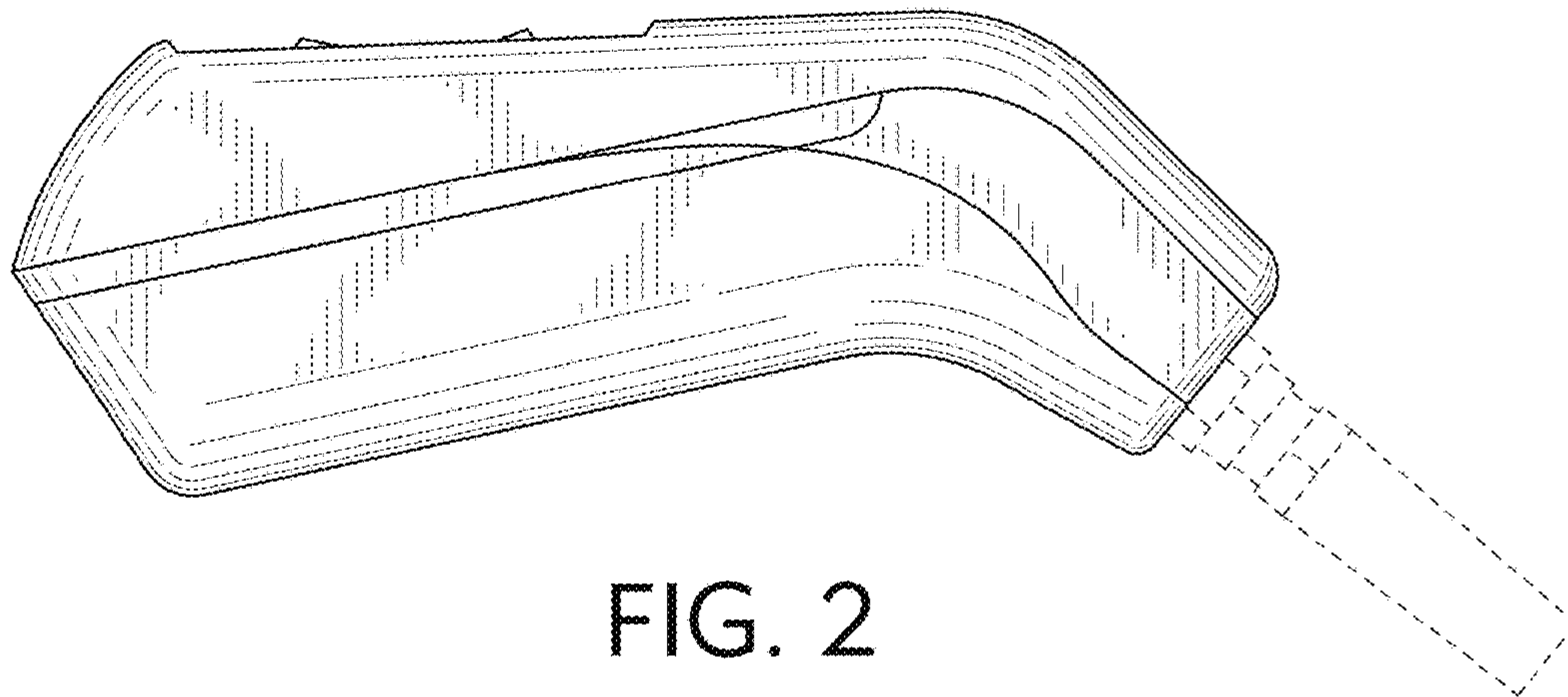


FIG. 2

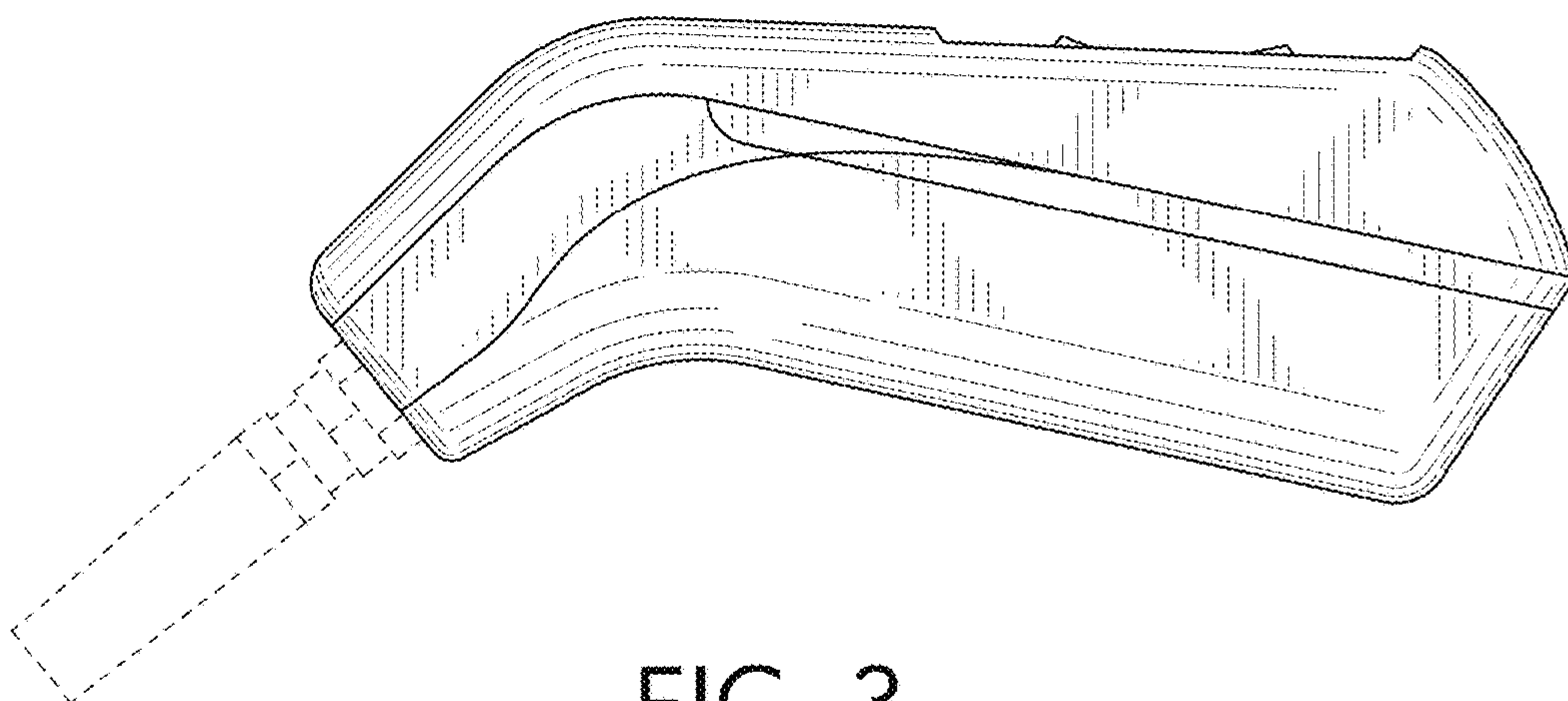


FIG. 3

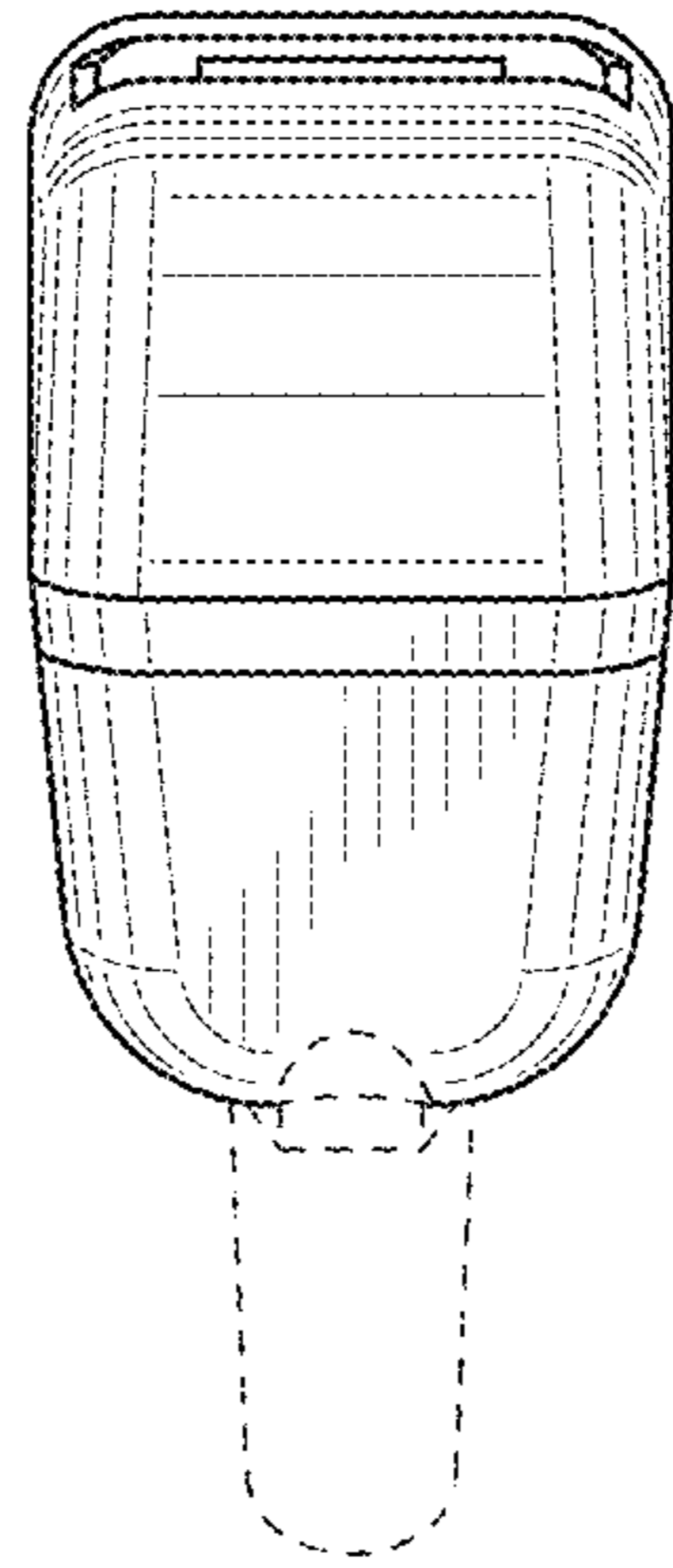


FIG. 4

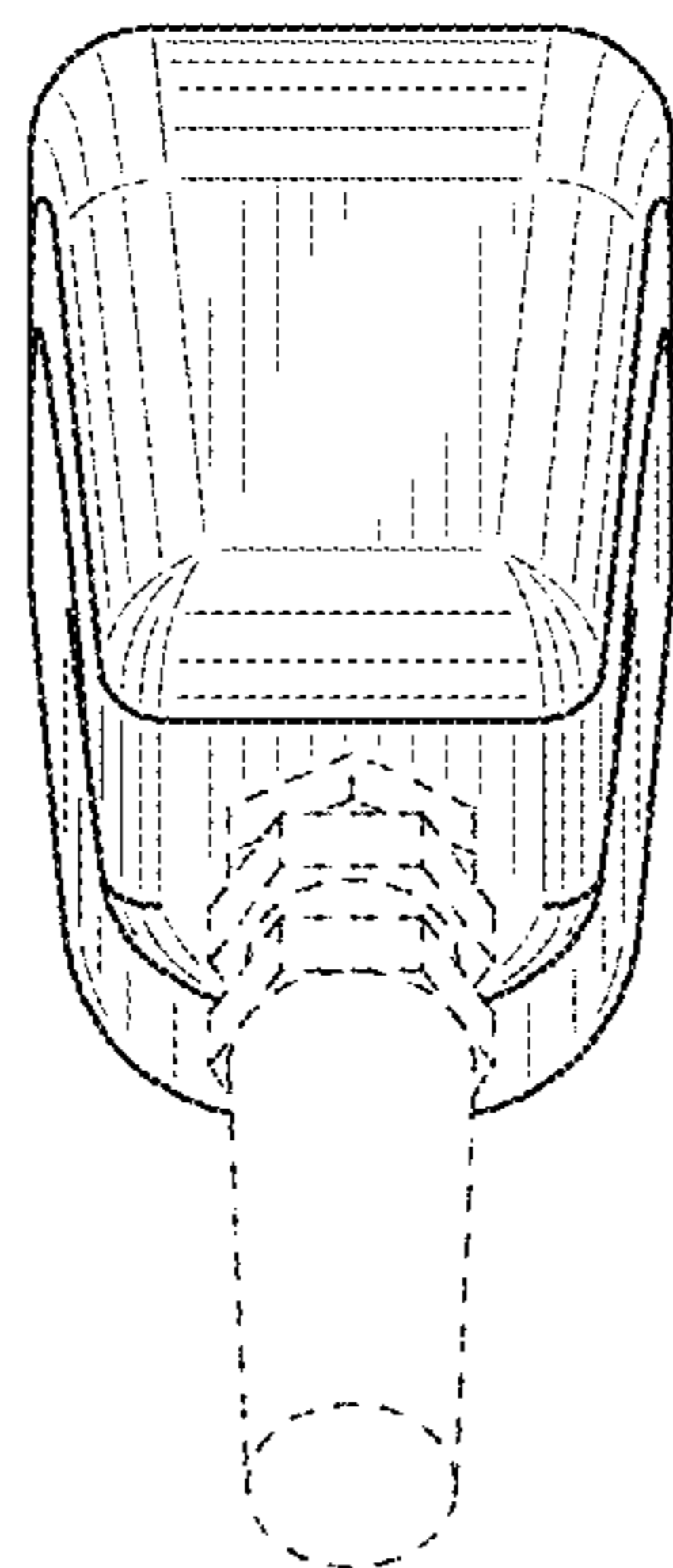


FIG. 5

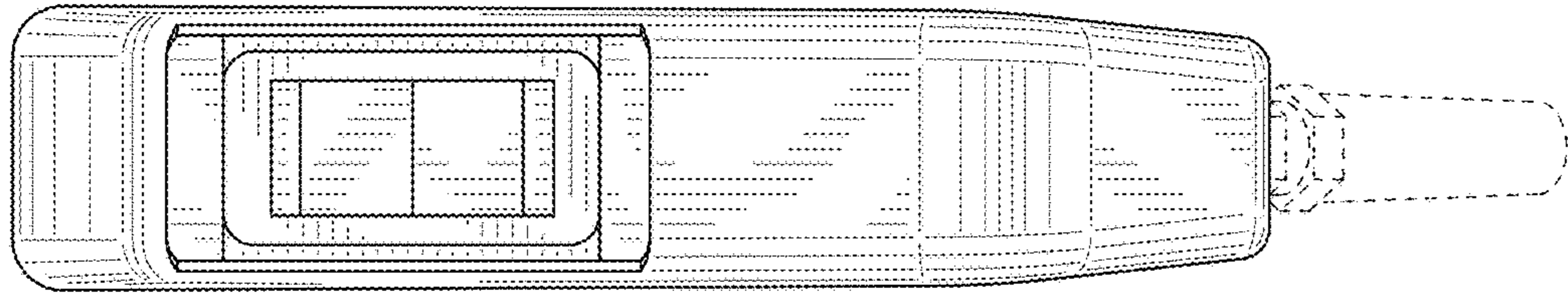


FIG. 6

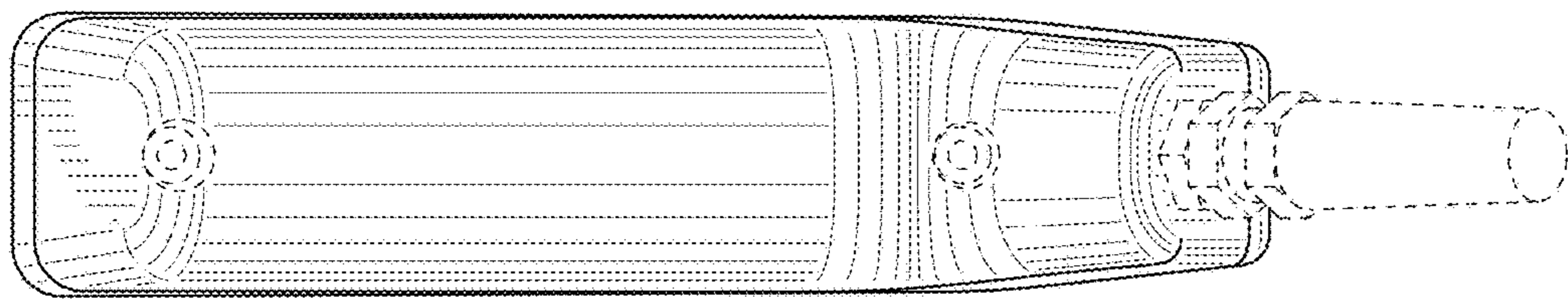


FIG. 7