



US00D827585S

(12) **United States Design Patent** (10) **Patent No.:** **US D827,585 S**  
**Sato et al.** (45) **Date of Patent:** **\*\* Sep. 4, 2018**

(54) **REMOTE CONTROLLER FOR AIR CONDITIONER**

(71) Applicant: **HITACHI-JOHNSON CONTROLS AIR CONDITIONING, INC.**, Tokyo (JP)

(72) Inventors: **Yoko Sato**, Tokyo (JP); **Kunihito Kawamura**, Tokyo (JP); **Takaaki Matsushita**, Tokyo (JP)

(73) Assignee: **HITACHI-JOHNSON CONTROLS AIR CONDITIONING, INC.**, Tokyo (JP)

(\*\*) Term: **15 Years**

(21) Appl. No.: **29/610,430**

(22) Filed: **Jul. 12, 2017**

(30) **Foreign Application Priority Data**

Jan. 13, 2017 (JP) ..... 2017-000464

(51) **LOC (11) Cl.** ..... **14-03**

(52) **U.S. Cl.**  
USPC ..... **D13/168; D10/50**

(58) **Field of Classification Search**  
USPC ..... D13/162, 168; D10/49, 50; D14/218, D14/137, 138 G, 138 R  
CPC ..... F24F 11/00; F24F 11/0012; F24F 11/006; F24F 11/0086; F24F 11/0009; F24F 11/30; F24F 2011/0057; F24F 2011/0073; F24F 2011/0091; G05B 19/0426; G05B 19/409; G05B 15/02; G06F 1/1601; G06F 3/041; G06F 3/044; G06F 3/0482; G06F 3/0488; G06F 3/0489; G05D 23/1902; G05D 23/1905; G05D 23/1931; G02F 1/33308; H01H 9/02; H05B 37/02

See application file for complete search history.

(56) **References Cited**

U.S. PATENT DOCUMENTS

D532,791	S	*	11/2006	Kim	.....	D14/203.7
D558,460	S	*	1/2008	Yu	.....	D14/341
D584,738	S	*	1/2009	Kim	.....	D14/496
D602,487	S	*	10/2009	Maskatia	.....	D14/341
D628,913	S	*	12/2010	Cheng	.....	D10/65
D635,556	S	*	4/2011	Suzuki	.....	D14/218
D639,277	S	*	6/2011	Alvarado	.....	D14/218
8,149,222	B2	*	4/2012	Hsieh	.....	G06F 3/041 345/173
D684,872	S	*	6/2013	Bias	.....	D10/49
D696,636	S	*	12/2013	Sakai	.....	D13/168
D721,075	S	*	1/2015	Toda	.....	D14/342
D729,793	S	*	5/2015	Hickok	.....	D14/126
D750,621	S	*	3/2016	Loor Canizares	.....	D14/203.7

(Continued)

FOREIGN PATENT DOCUMENTS

JP	1386726	S	5/2010
JP	1395659	S	8/2010
JP	1485800	S	12/2013

*Primary Examiner* — Selina Sikder

(74) *Attorney, Agent, or Firm* — Volpe and Koenig, P.C.

(57) **CLAIM**

We claim, the ornamental design for a remote controller for air conditioner, as shown and described.

**DESCRIPTION**

FIG. 1 is a front, top and left side perspective view of a remote controller for air conditioner according to our new design;

FIG. 2 is a front view thereof;

FIG. 3 is a left side view thereof;

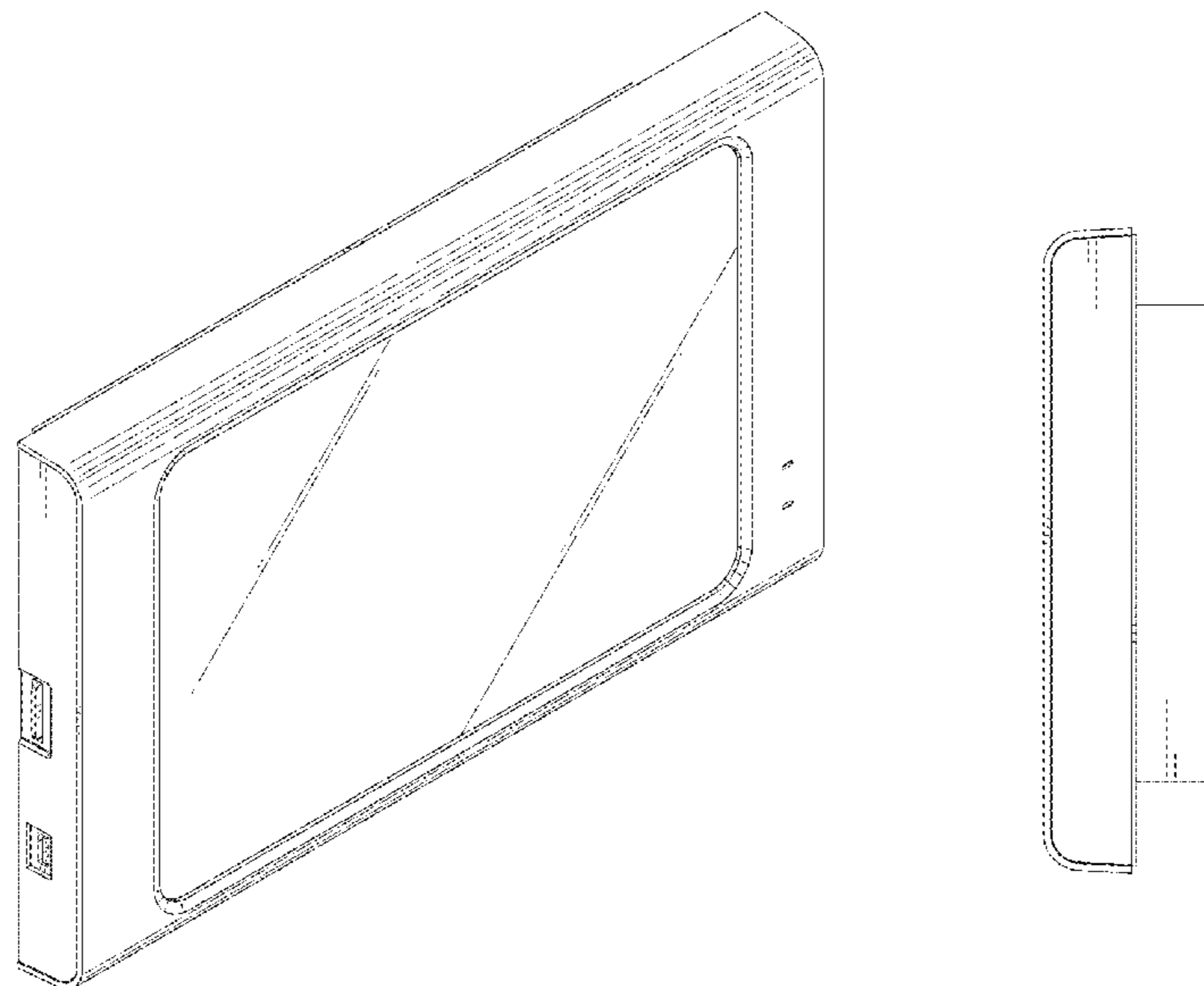
FIG. 4 is a right side view thereof;

FIG. 5 is a top plan view thereof;

FIG. 6 is a bottom plan view thereof; and,

FIG. 7 is a rear view thereof.

**1 Claim, 5 Drawing Sheets**



(56)

**References Cited**

U.S. PATENT DOCUMENTS

D763,203 S \* 8/2016 Ikegaya ..... D13/168  
9,488,380 B2 \* 11/2016 Ino ..... G05D 23/1905  
D786,803 S \* 5/2017 Kim ..... D13/168  
D800,096 S \* 10/2017 Skokna ..... D14/218  
D801,288 S \* 10/2017 Kim ..... D13/168  
D820,223 S \* 6/2018 Mori ..... D13/168  
2013/0279142 A1 \* 10/2013 Wang ..... H05K 7/02  
361/809  
2014/0043256 A1 \* 2/2014 Wu ..... H01H 9/02  
345/173  
2014/0300567 A1 \* 10/2014 Inata ..... G06F 3/0488  
345/173  
2015/0062087 A1 \* 3/2015 Cho ..... G02F 1/13338  
345/175

\* cited by examiner

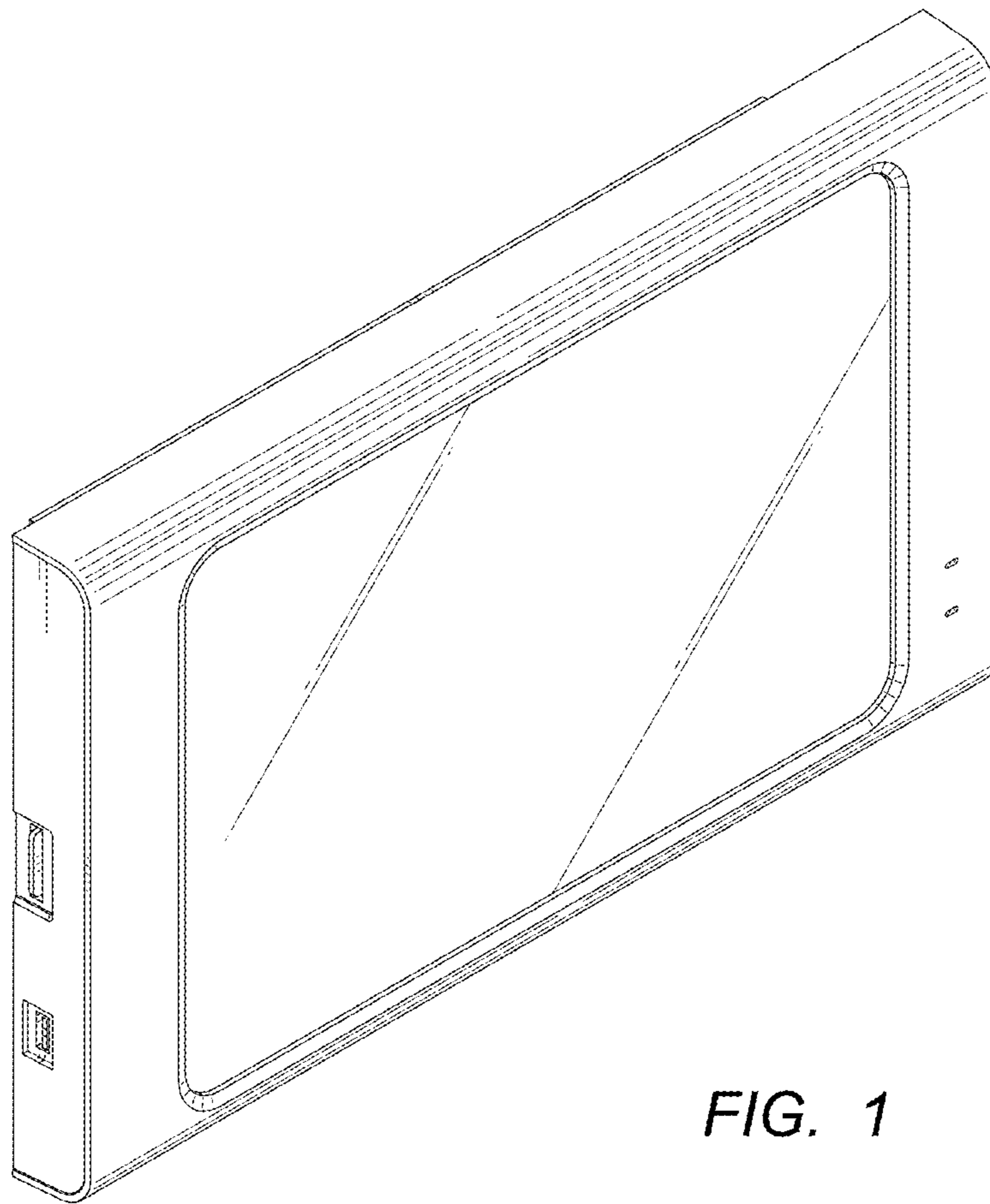


FIG. 1

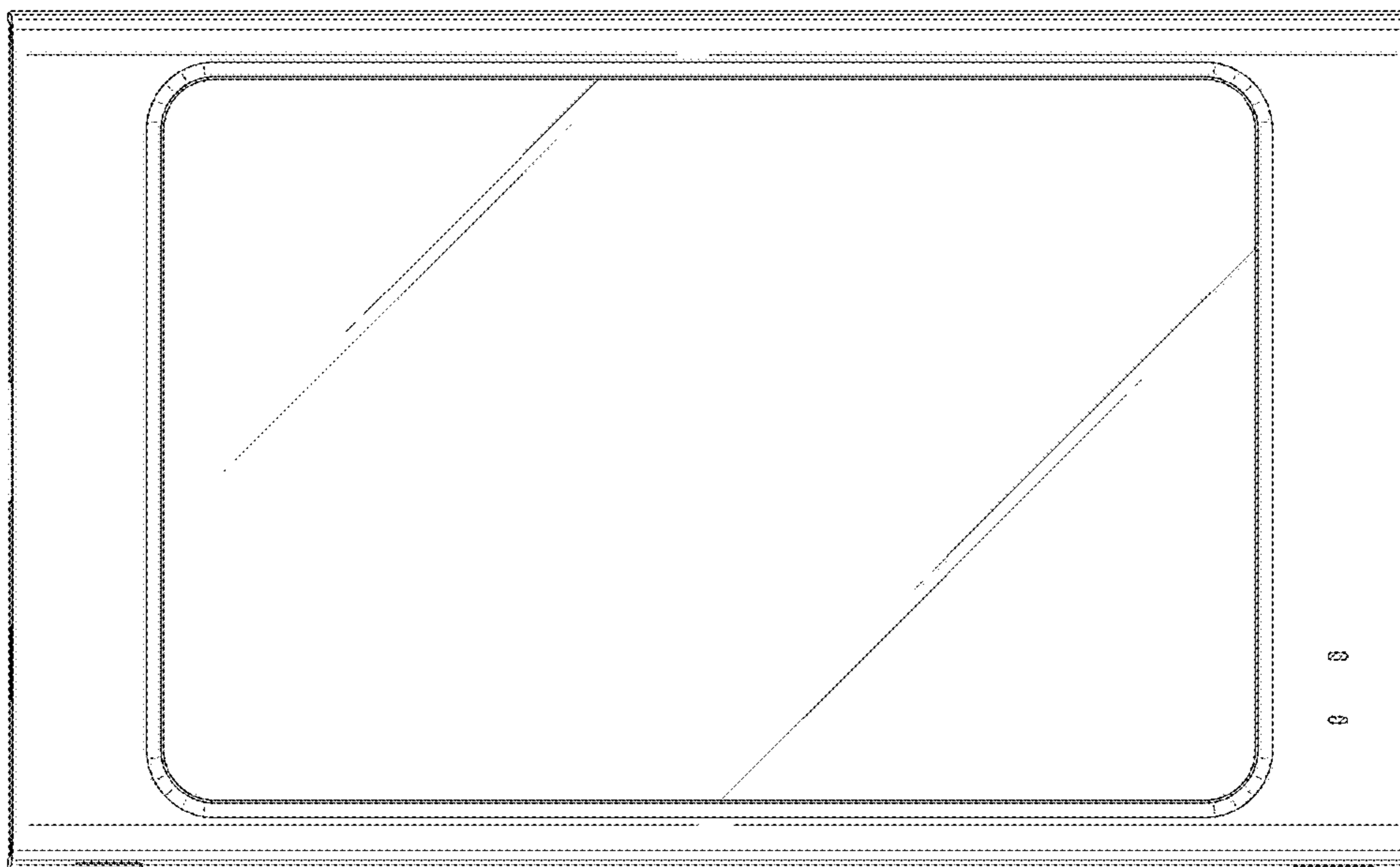


FIG. 2

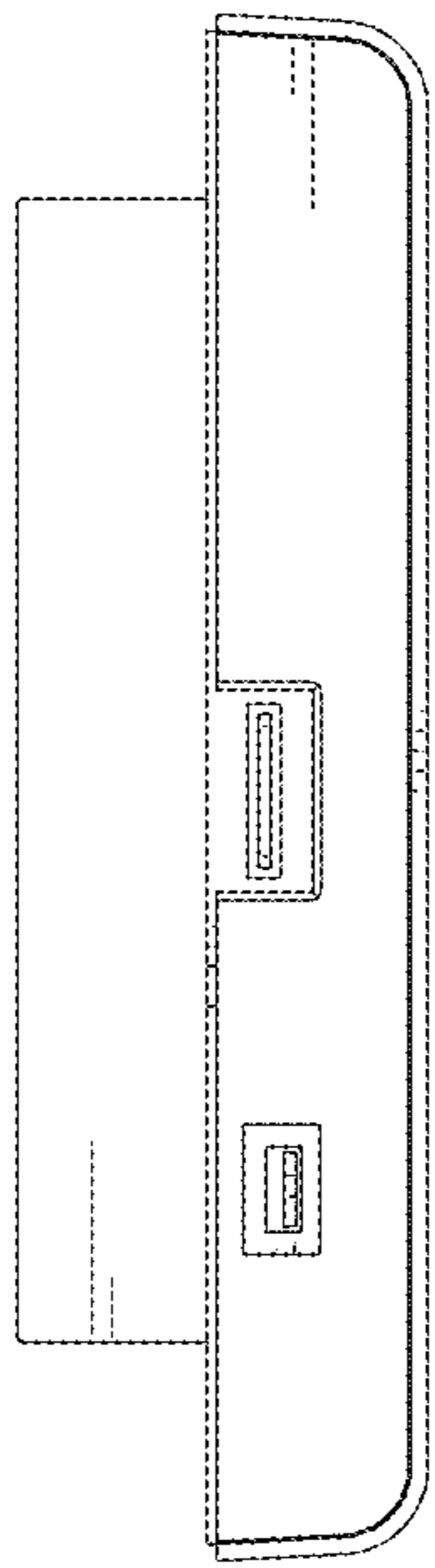


FIG. 3

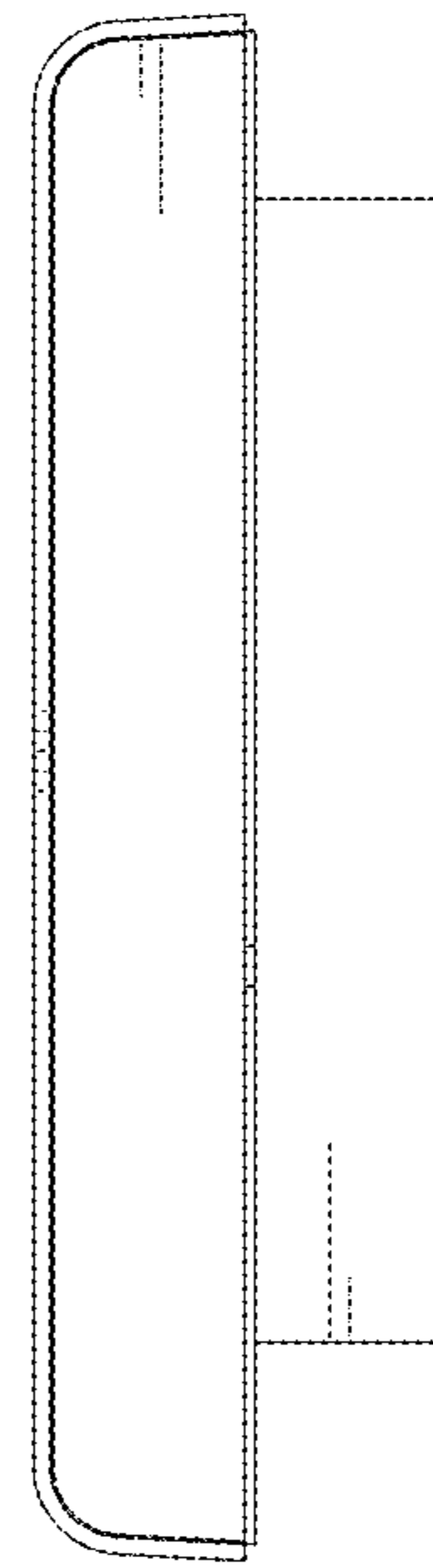


FIG. 4

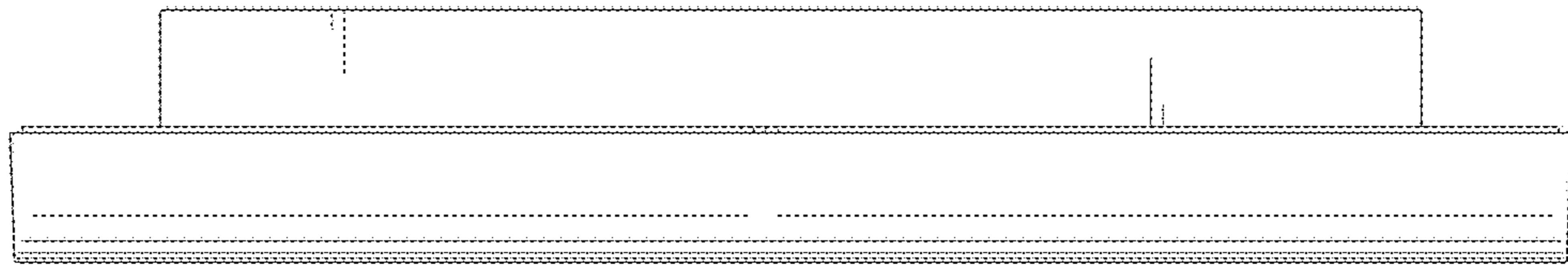


FIG. 5

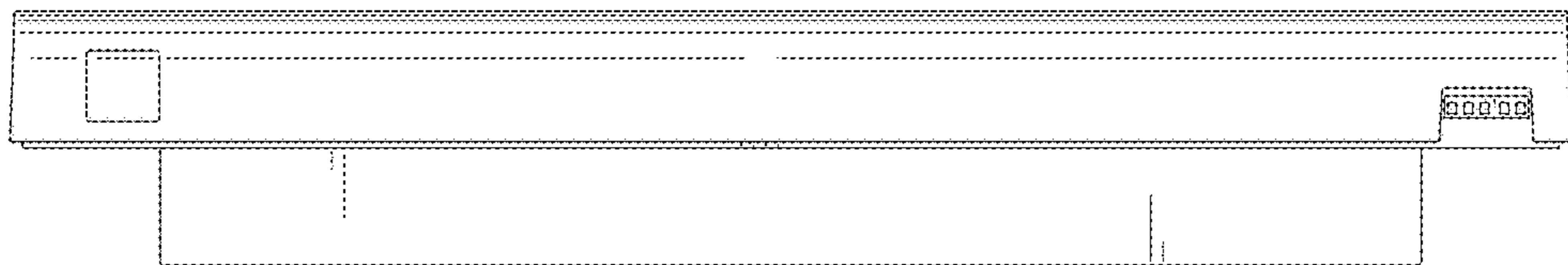


FIG. 6

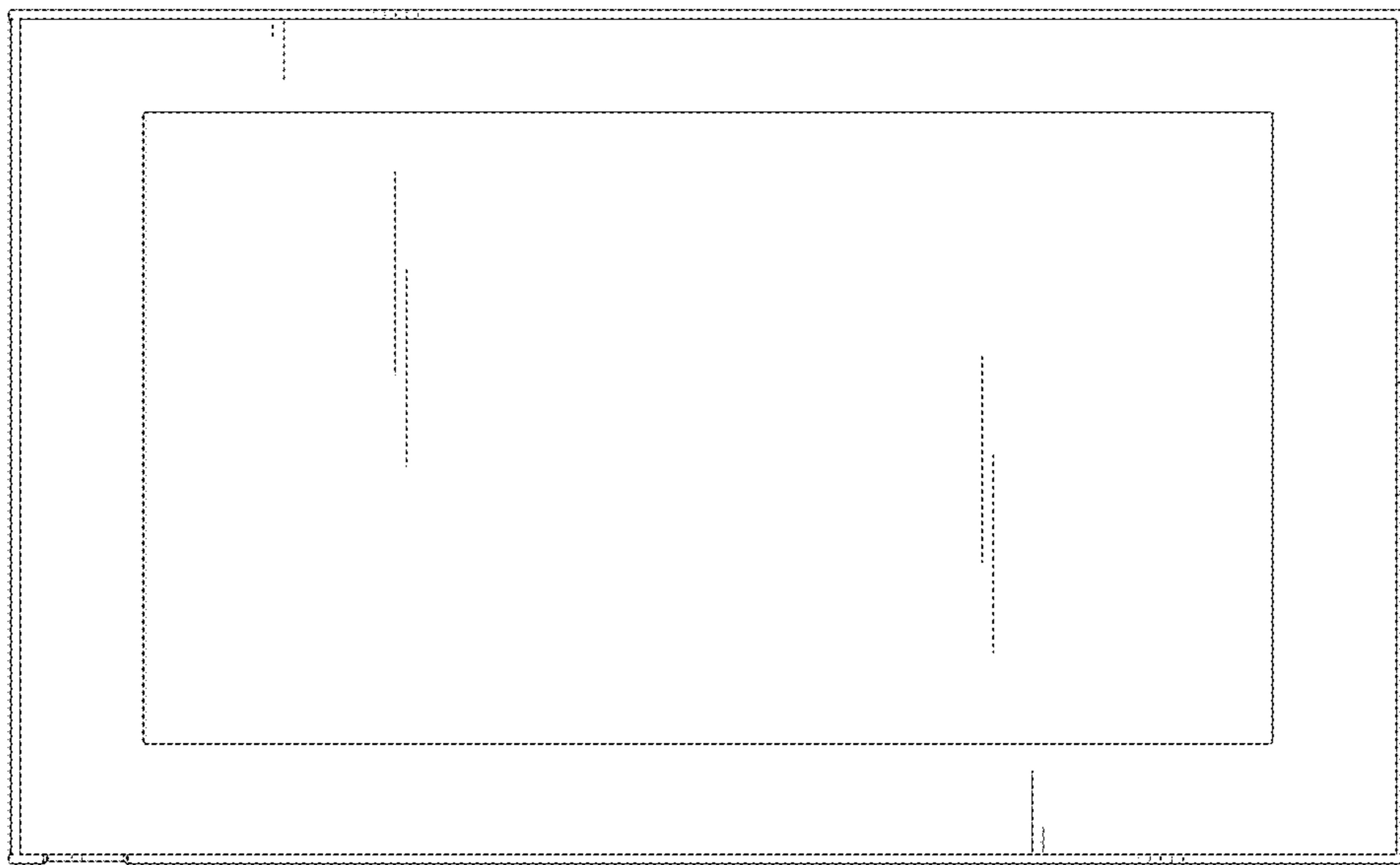


FIG. 7