



US00D827584S

(12) **United States Design Patent**
Neilson et al.

(10) **Patent No.:** **US D827,584 S**
(45) **Date of Patent:** **** Sep. 4, 2018**

(54) **LIGHTING CONTROL DEVICE**

(71) Applicant: **Switcheroo LLC**, Pittsburgh, PA (US)

(72) Inventors: **Michael R. Neilson**, McKees Rocks, PA (US); **William D. Gibbons**, Brooklyn, NY (US)

(73) Assignee: **Switcheroo LLC**, Pittsburgh, PA (US)

(**) Term: **15 Years**

(21) Appl. No.: **29/602,127**

(22) Filed: **Apr. 28, 2017**

(51) **LOC (11) Cl.** **13-03**

(52) **U.S. Cl.**
USPC **D13/162**; D13/168

(58) **Field of Classification Search**
USPC D13/134, 135, 137.1, 137.2, 137.3, 158,
D13/162, 168; D10/40, 50, 104.1;
D14/217, 218
CPC H01H 3/08; H01H 19/04; H01H 19/08;
H05B 37/02; H05B 37/0272; H05B
39/00; H05B 39/02; H05B 39/086; H05B
39/088; H01R 13/46; H01R 25/006;
G08C 17/02; G08C 19/00; G08C 19/02;
G08C 2201/00; G08C 2201/10; G08C
2201/40

See application file for complete search history.

(56) **References Cited**

U.S. PATENT DOCUMENTS

D207,638	S	*	5/1967	Clement, Jr.	D13/162
D213,372	S	*	2/1969	Gross	D13/162
D253,752	S	*	12/1979	Dilgard, Jr.	D10/104.1
D268,753	S	*	4/1983	Fenne	D13/137.3
D299,127	S	*	12/1988	Boguss	D13/137.3
D301,868	S	*	6/1989	Schwartz	D13/158
4,839,533	A	*	6/1989	Aga	H01H 3/022 192/129 A

(Continued)

Primary Examiner — Selina Sikder

(74) *Attorney, Agent, or Firm* — Fox Rothschild LLP

(57) **CLAIM**

The ornamental design of a lighting control device, as shown and described.

DESCRIPTION

FIG. 1 illustrates a side perspective view of a lighting control device showing our new design.

FIG. 2 illustrates a front view of the lighting control device thereof.

FIG. 3 illustrates a rear view of the lighting control device thereof.

FIG. 4 illustrates a left side view of the lighting control device thereof.

FIG. 5 illustrates a right side view of the lighting control device thereof.

FIG. 6 illustrates a top view of the lighting control device thereof.

FIG. 7 illustrates a bottom view of the lighting control device thereof.

FIG. 8 illustrates a side perspective view of a lighting control device showing an alternate position of the slots shown in broken lines.

FIG. 9 illustrates a front view of the lighting control device thereof.

FIG. 10 illustrates a rear view of the lighting control device thereof.

FIG. 11 illustrates a left side view of the lighting control device thereof.

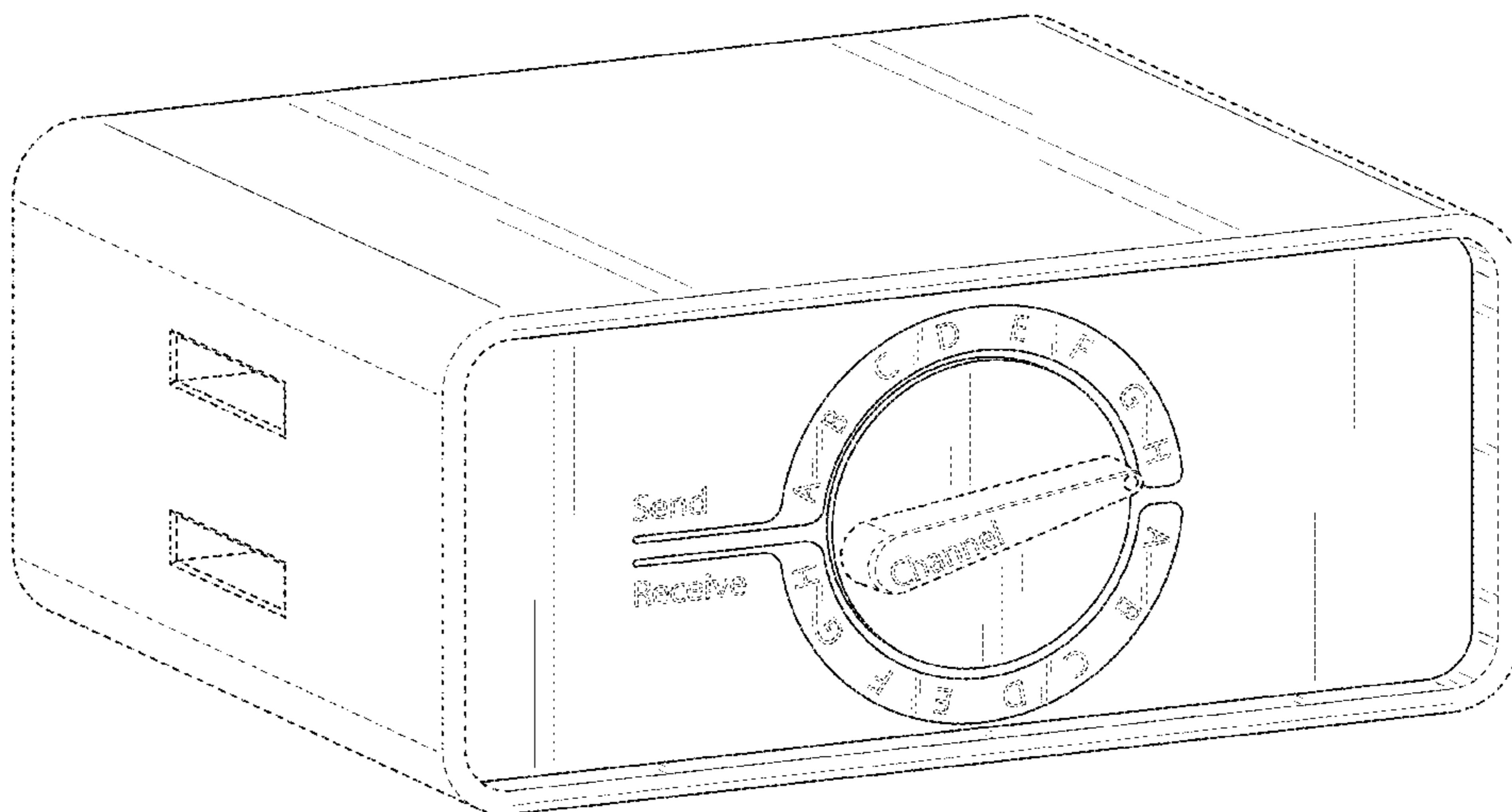
FIG. 12 illustrates a right side view of the lighting control device thereof.

FIG. 13 illustrates a top view of the lighting control device thereof; and,

FIG. 14 illustrates a bottom view of the lighting control device thereof.

The broken lines in the figures show portions of the lighting control device that form no part of the claimed design.

1 Claim, 14 Drawing Sheets



(56)

References Cited

U.S. PATENT DOCUMENTS

D310,063	S *	8/1990	Cheng	D13/137.3
D411,201	S *	6/1999	Munoz	D13/184
D431,027	S *	9/2000	Armstrong	D13/162
6,566,819	B2 *	5/2003	Wolff	H05B 37/0281
				307/116
6,715,902	B1 *	4/2004	Herring	F21V 23/04
				362/154
D492,263	S *	6/2004	Murray	D13/162
D602,877	S *	10/2009	Melzner	D13/162
D603,344	S *	11/2009	Pradhan	D13/162
D603,345	S *	11/2009	Melzner	D13/162
D642,540	S *	8/2011	Lin	D13/162
D664,931	S *	8/2012	Chang	D13/168
D726,663	S *	4/2015	Clymer	D13/162
D755,127	S *	5/2016	Wong	D13/137.2
D781,812	S *	3/2017	Cho	D14/204
2010/0117597	A1 *	5/2010	Wang	H02J 7/0042
				320/111
2014/0028210	A1 *	1/2014	Maxik	F21V 23/06
				315/200 R
2015/0236449	A1 *	8/2015	Puschnigg	H01R 13/717
				439/304

* cited by examiner

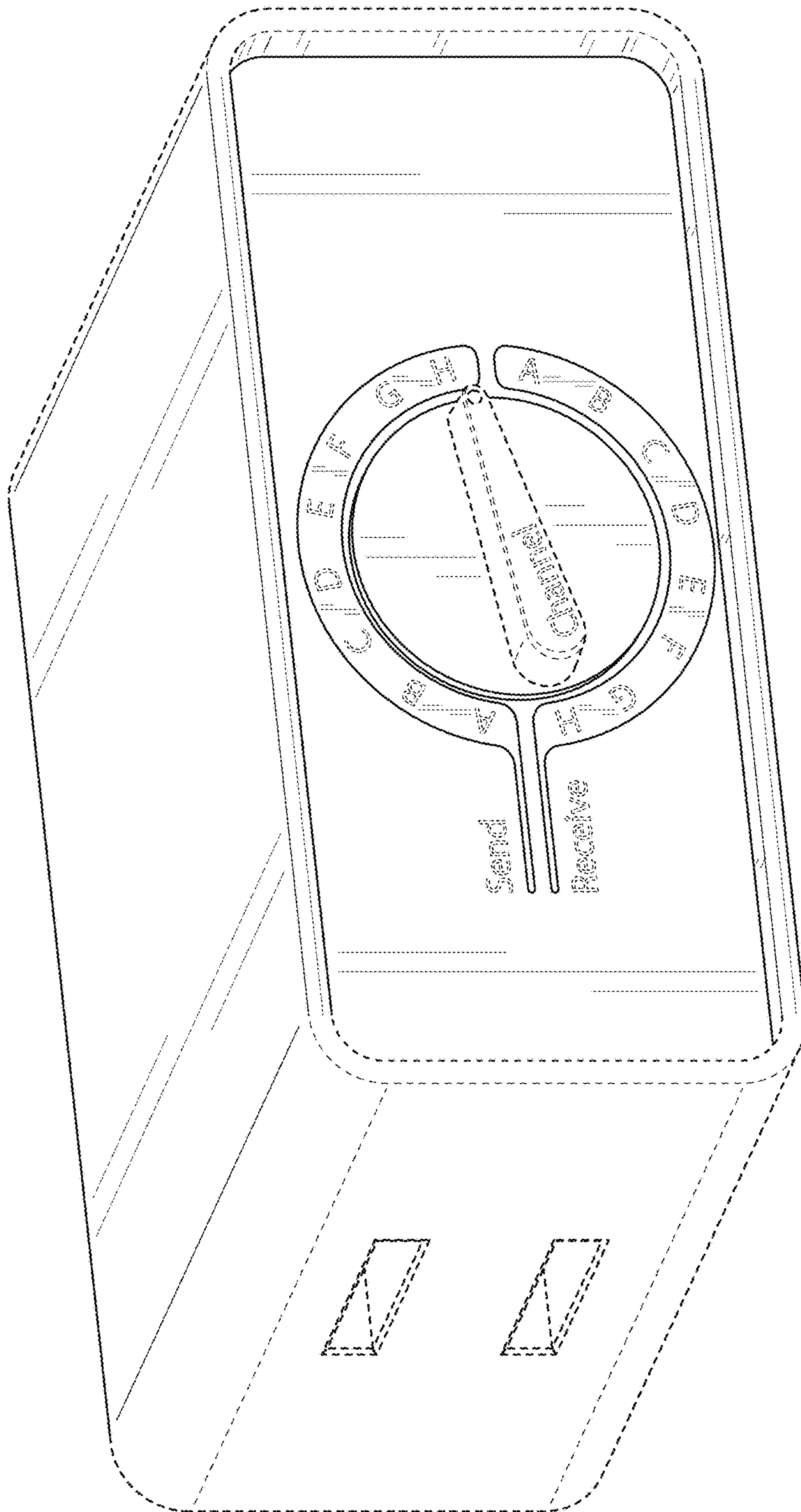


FIG. 1

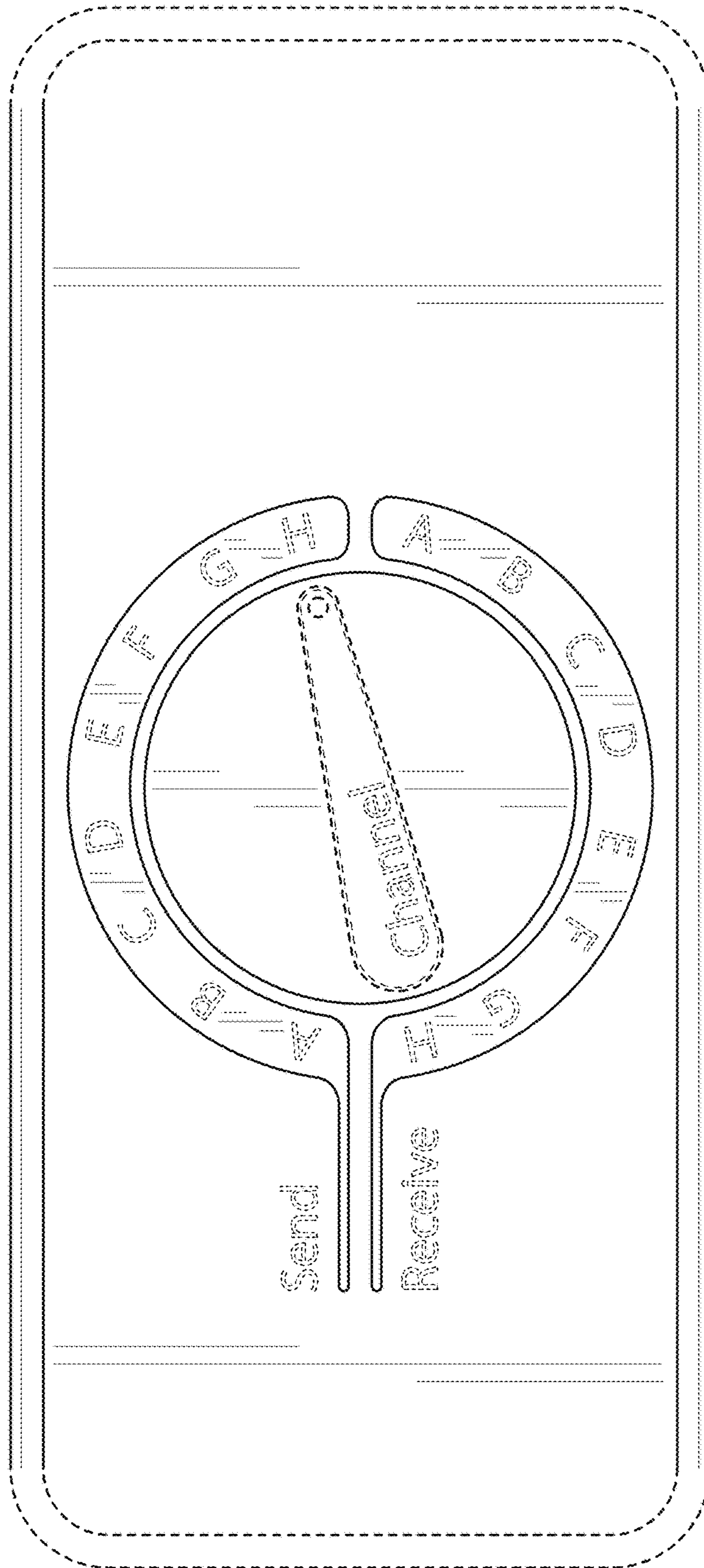


FIG. 2

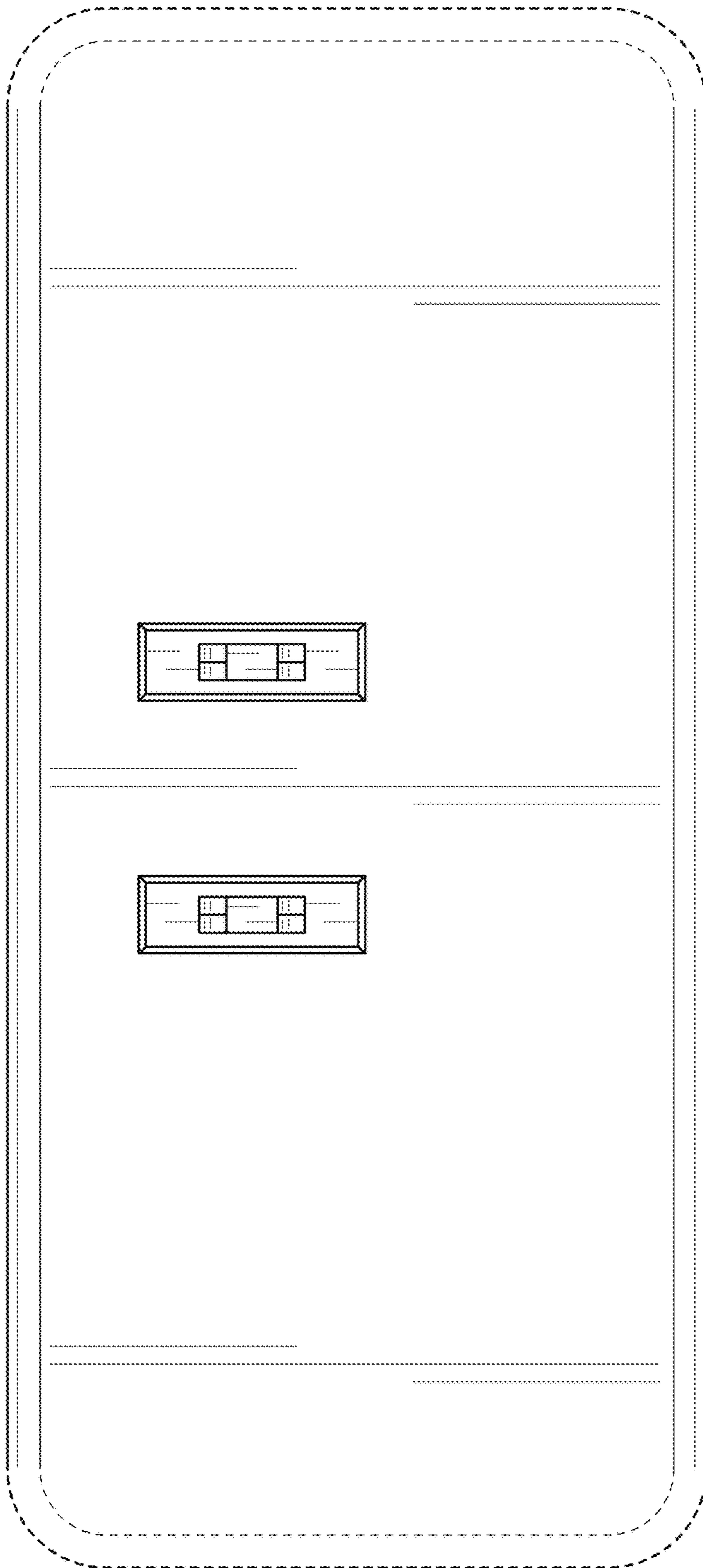


FIG. 3

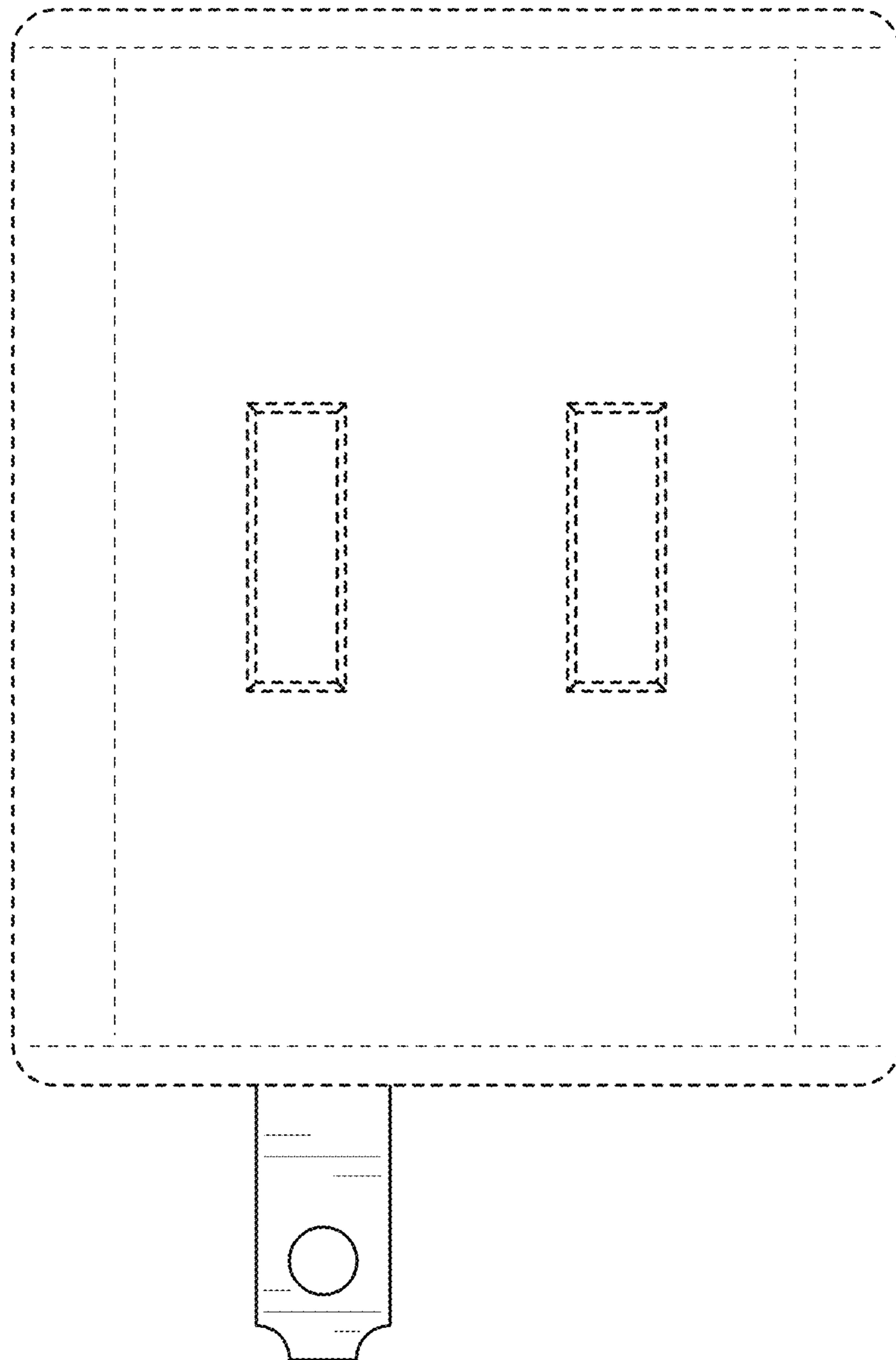


FIG. 4

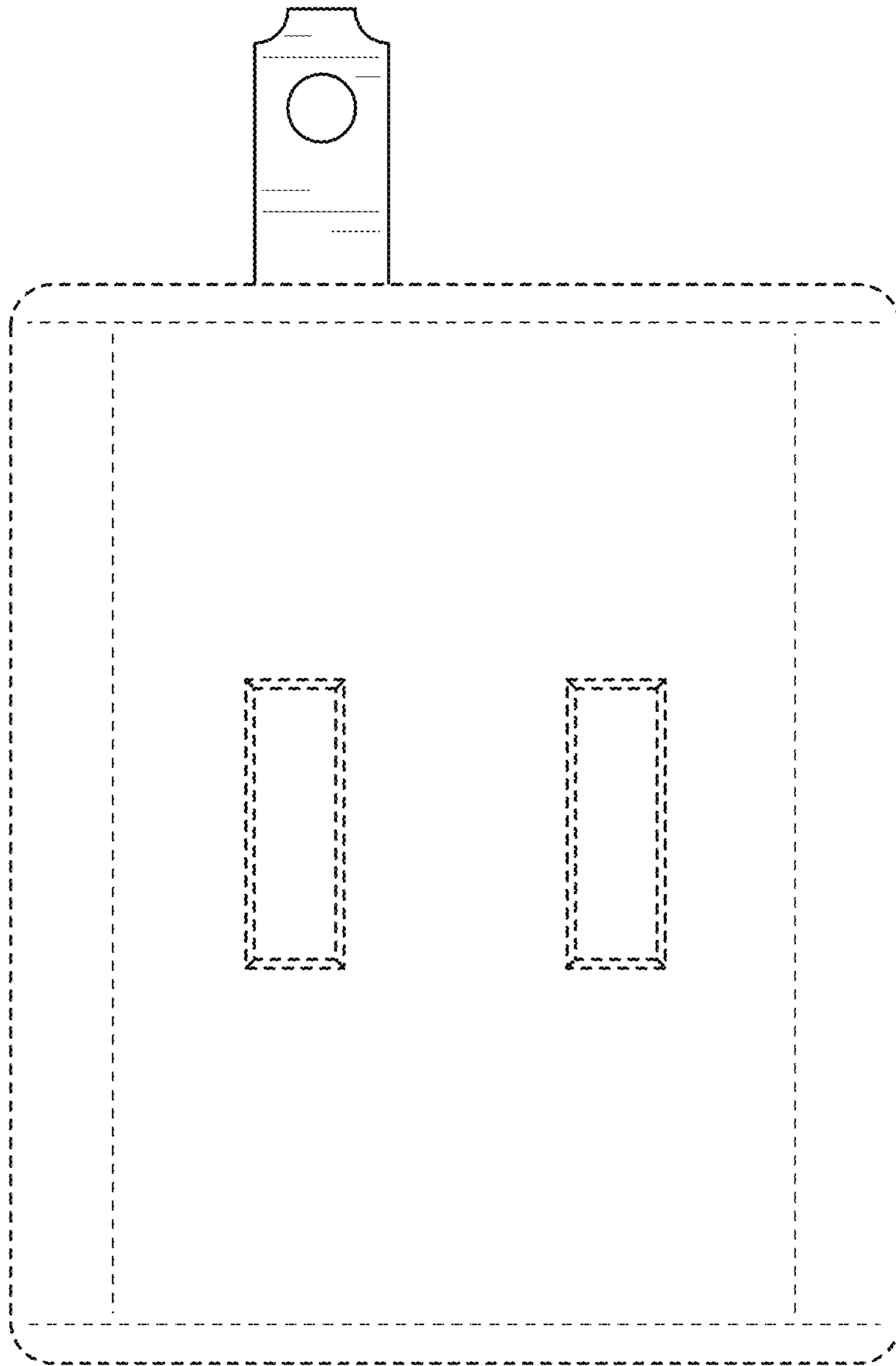


FIG. 5

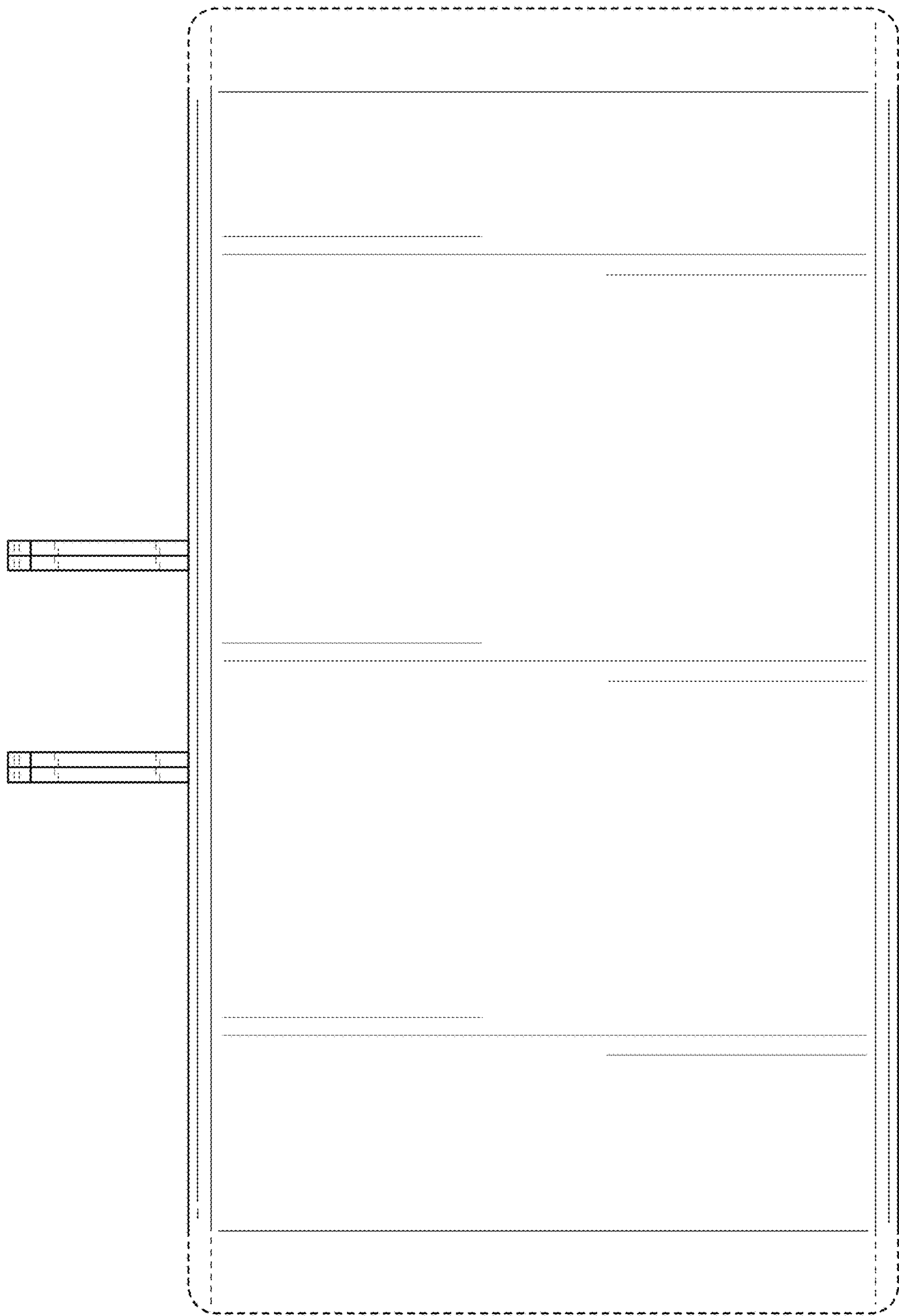


FIG. 6

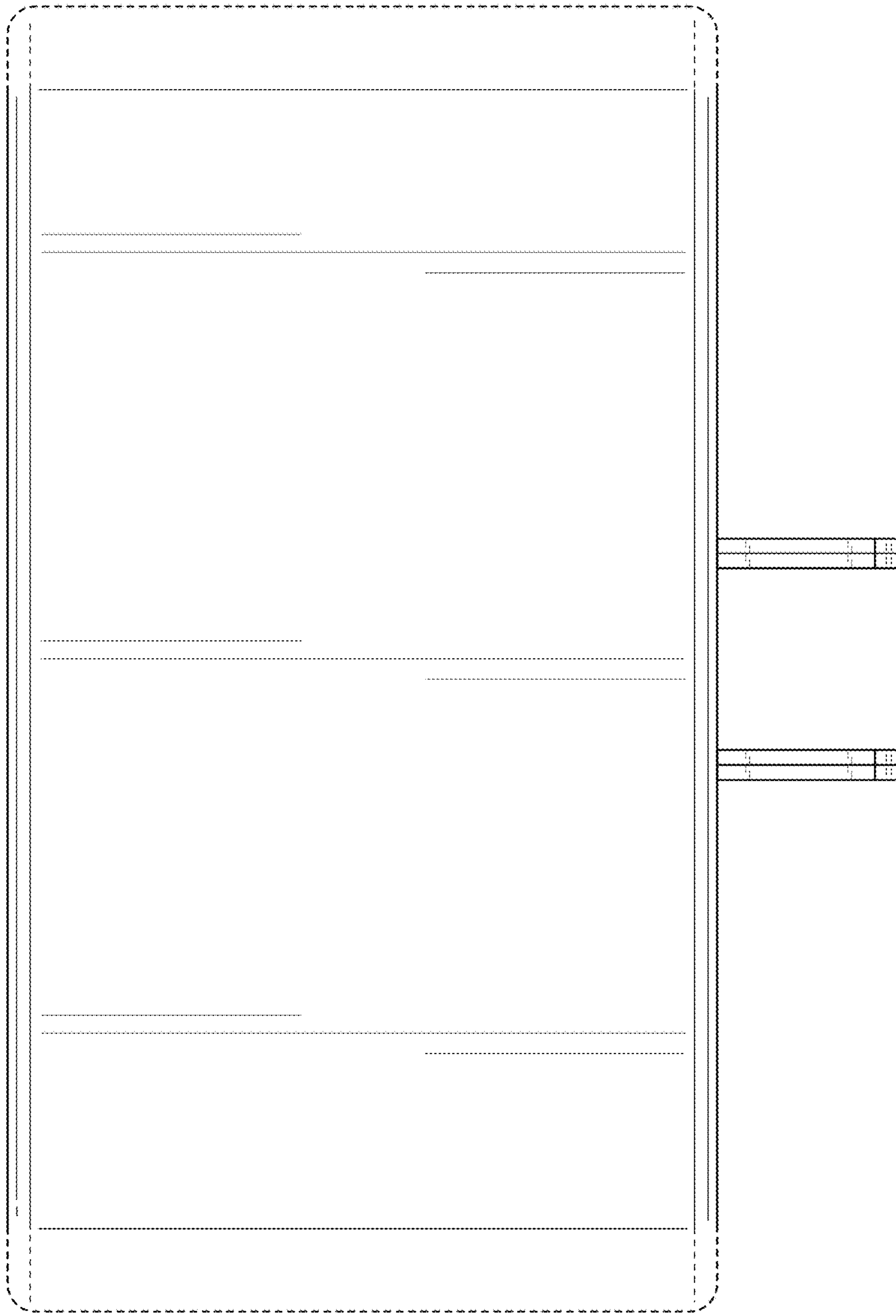


FIG. 7

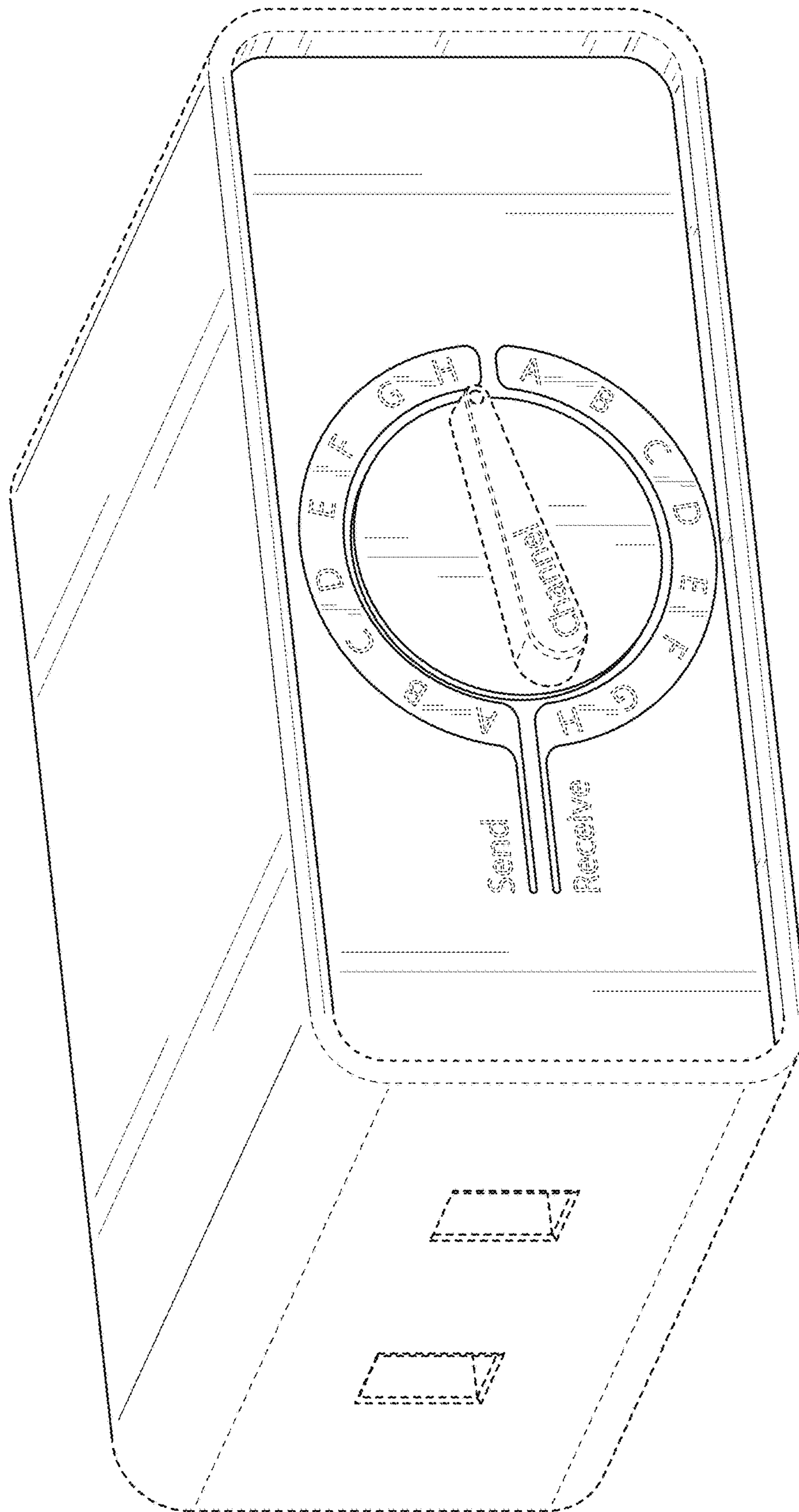


FIG. 8

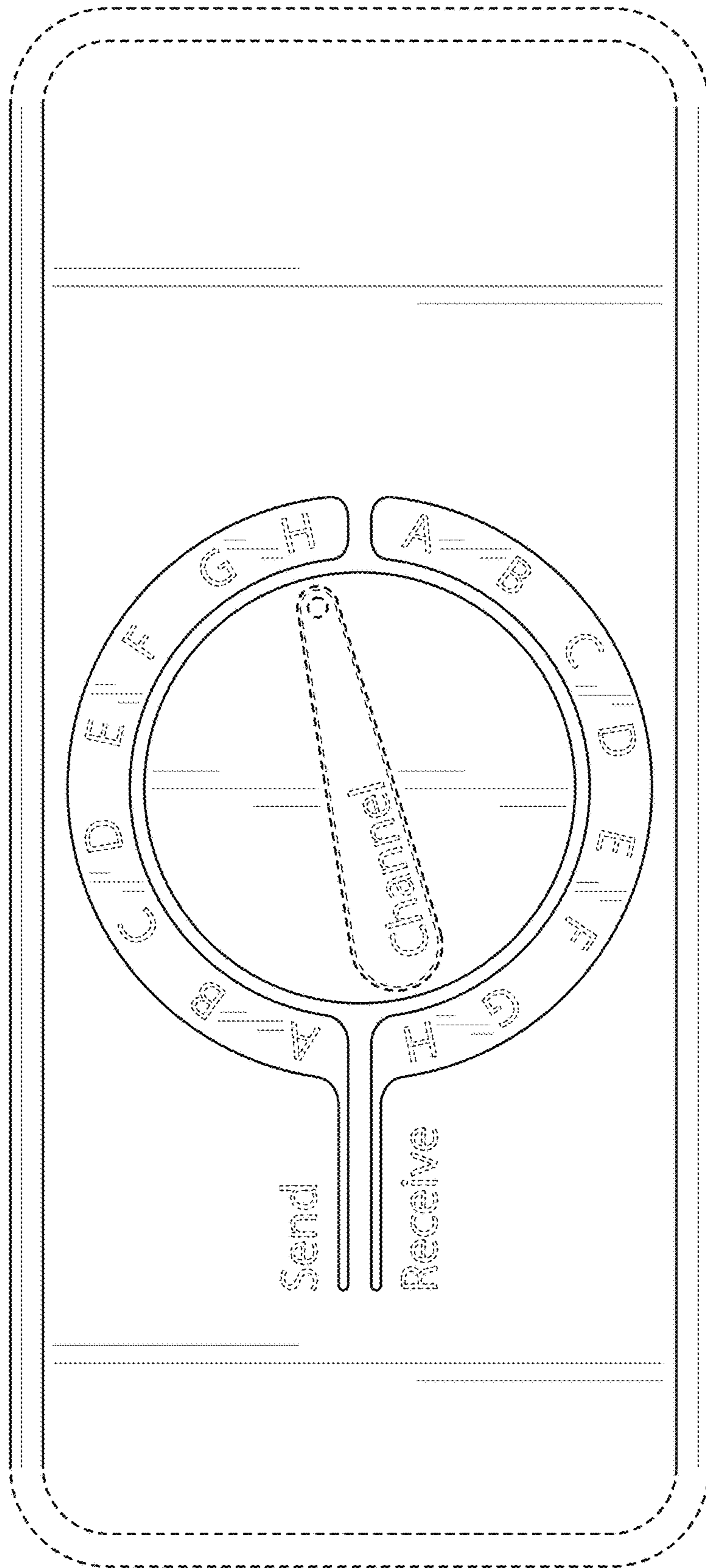


FIG. 9

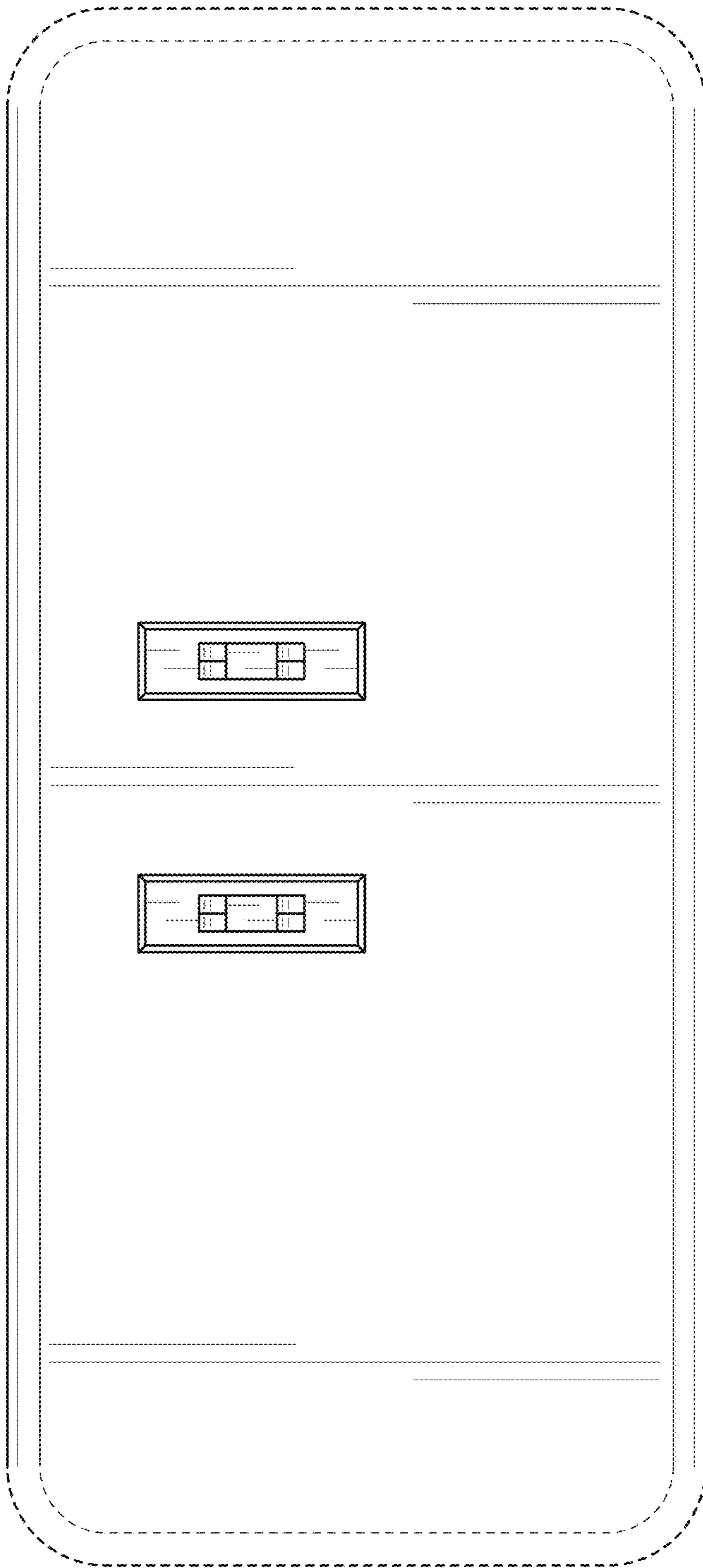


FIG. 10

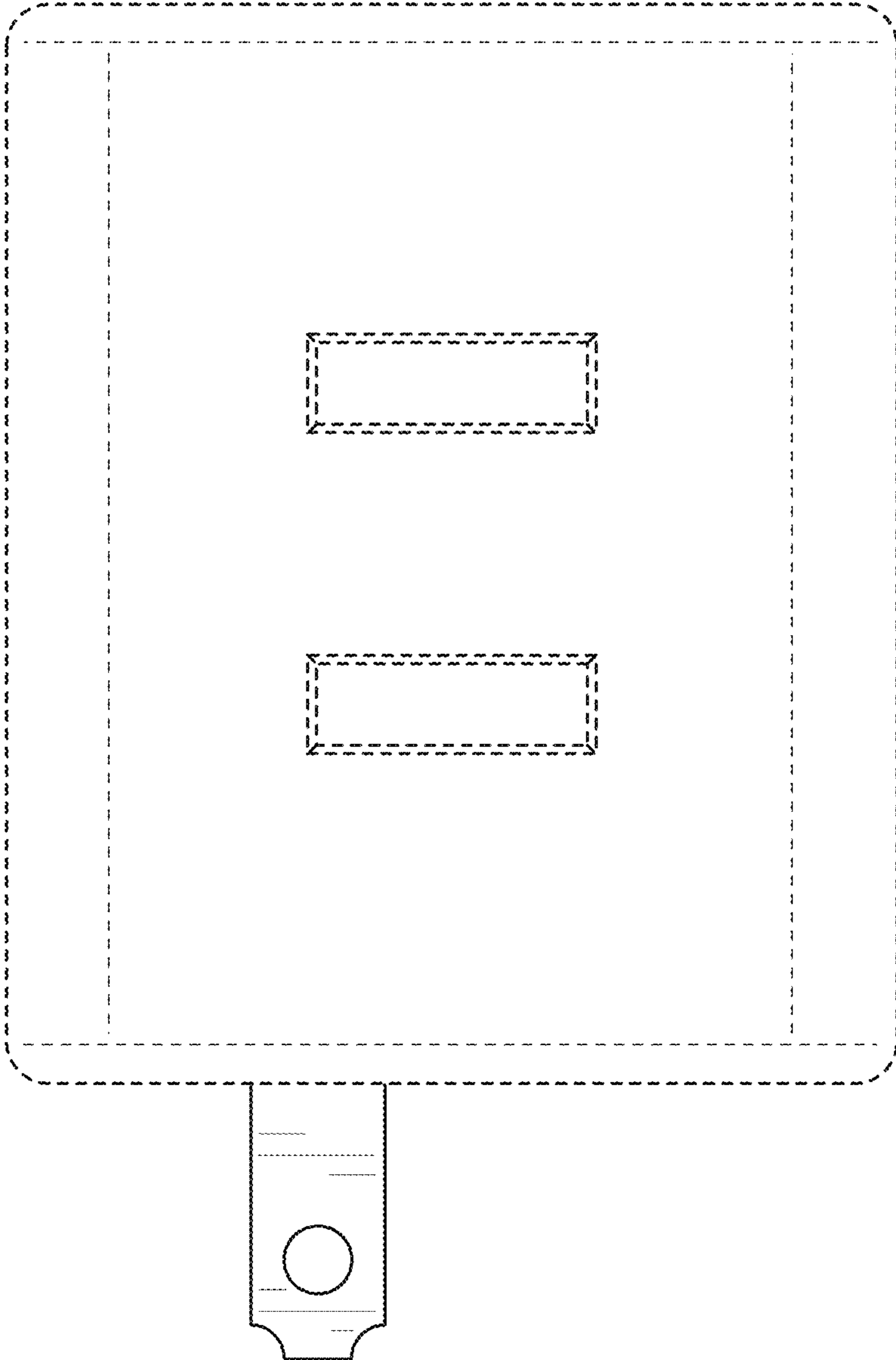


FIG. 11

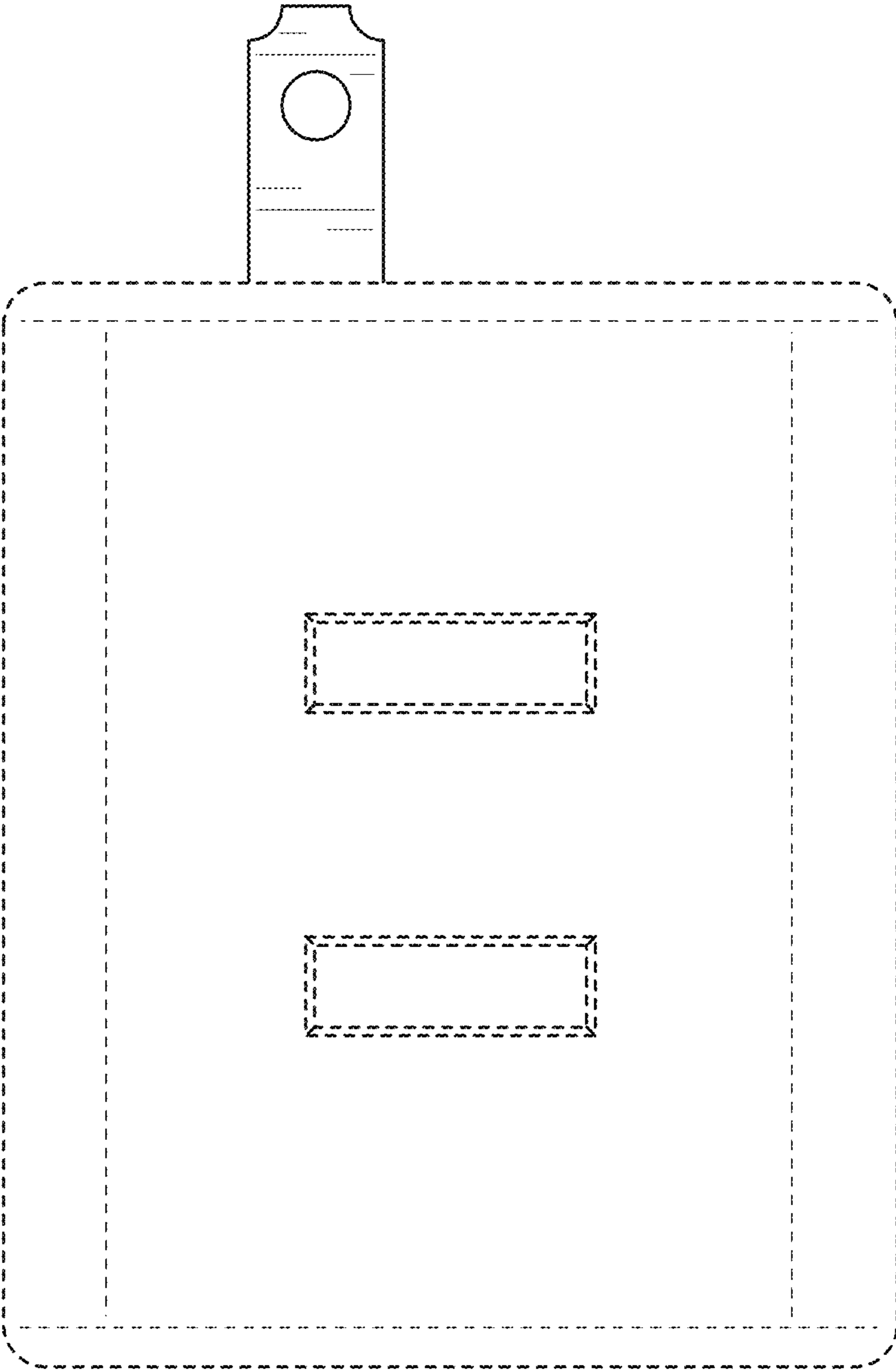


FIG. 12

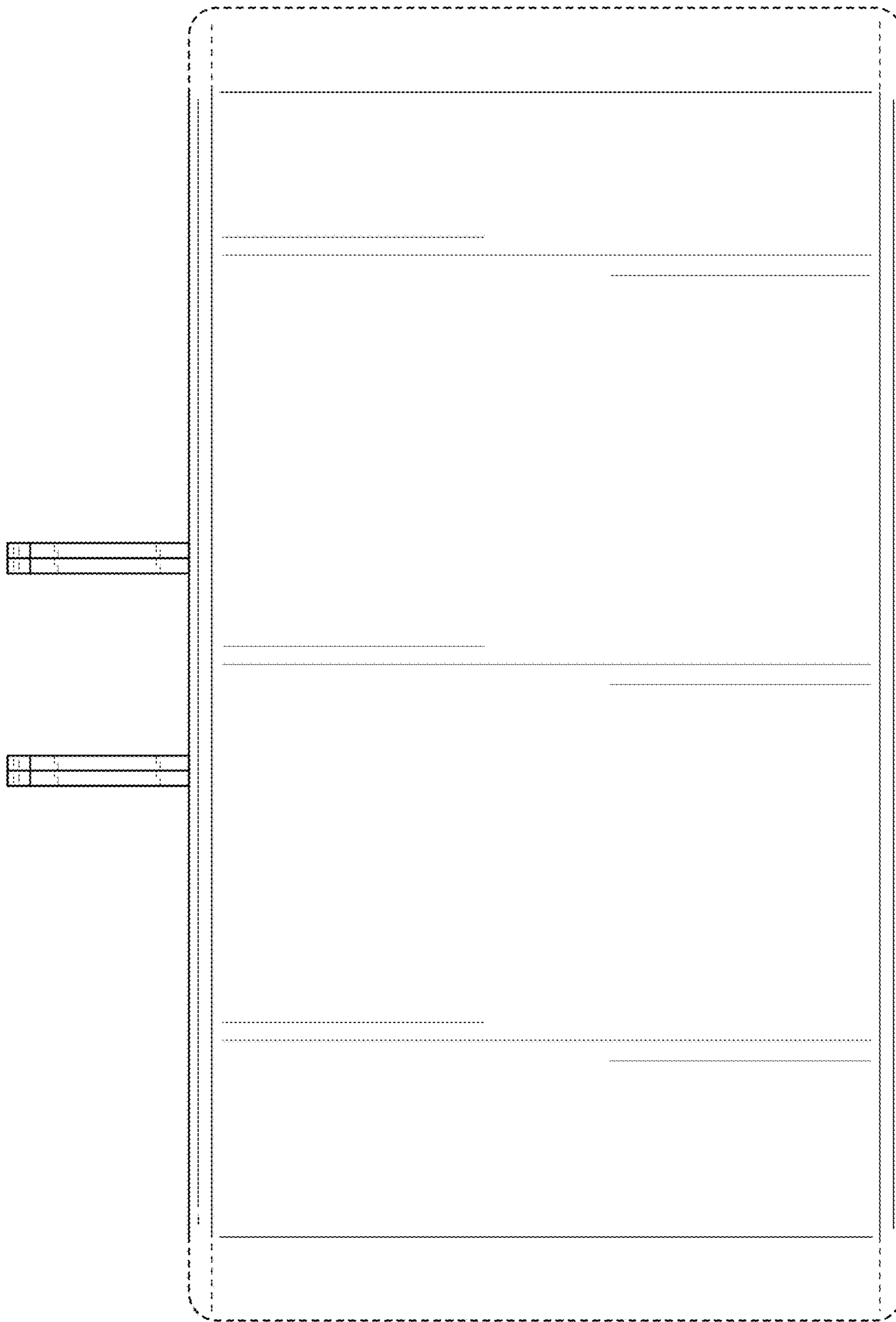


FIG. 13

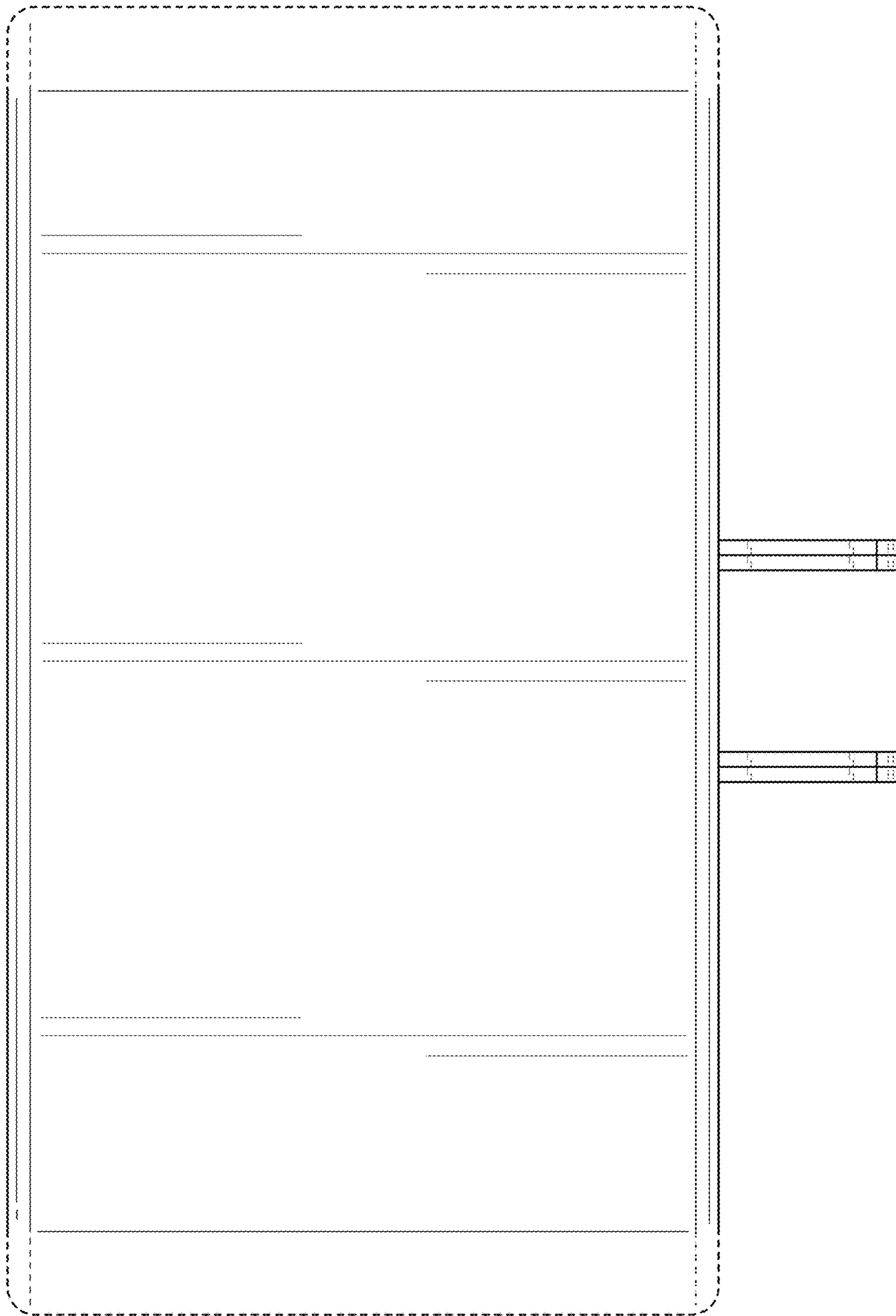


FIG. 14