



US00D827583S

(12) **United States Design Patent** (10) **Patent No.:** **US D827,583 S**
Oleson (45) **Date of Patent:** **** Sep. 4, 2018**

(54) **FAN CONTROLLER**

(71) Applicant: **DELTA T, LLC**, Lexington, KY (US)

(72) Inventor: **Richard A. Oleson**, Lexington, KY (US)

(73) Assignee: **DELTA T, LLC**, Lexington, KY (US)

(**) Term: **15 Years**

(21) Appl. No.: **29/597,914**

(22) Filed: **Mar. 21, 2017**

(51) **LOC (11) Cl.** **13-03**

(52) **U.S. Cl.**
USPC **D13/162**

(58) **Field of Classification Search**
USPC D14/218, 240, 374, 383, 384, 434, 496, D14/203.3, 203.7; D13/168, 107, 108, D13/162, 162.1, 173; D10/104.1, 106.1, D10/106.5, 106.6, 106.95, 49, 50; D7/602, 610; D3/218; 455/419, 420, 92, 455/352; D23/411
CPC H04N 5/4403; H01H 9/0235; H03J 9/00; H04B 1/205; G08C 2201/00; G08C 2201/30; G08C 2201/40; G08C 2201/41; G08C 2201/42; G08C 2201/91; G08C 2201/92

See application file for complete search history.

(56) **References Cited**

U.S. PATENT DOCUMENTS

D519,394 S * 4/2006 DiPasquale D10/106.1
D520,991 S * 5/2006 Ma D14/240
D527,666 S * 9/2006 Tal D10/106.6
D602,878 S * 10/2009 Coleman D13/168

D622,685 S * 8/2010 Garra D14/137
D632,269 S * 2/2011 Garra D14/137
D646,280 S * 10/2011 Yano D14/188
D649,532 S * 11/2011 Tran D14/218
D681,608 S * 5/2013 Takami D14/218
D698,754 S * 2/2014 Vuillet D13/168
D767,426 S * 9/2016 Zhu D10/106.1
D767,568 S * 9/2016 McWilliam D14/358
D789,363 S * 6/2017 Jentz D14/218
D789,366 S * 6/2017 Jentz D14/218
D804,452 S * 12/2017 Parfitt D14/218
D813,826 S * 3/2018 Dalton D13/168
D813,852 S * 3/2018 Ni D14/240
D814,426 S * 4/2018 Dalton D13/168

* cited by examiner

Primary Examiner — Jeffrey D Asch

Assistant Examiner — Rebekah A Caruso

(74) *Attorney, Agent, or Firm* — King & Schickli, PLLC

(57) **CLAIM**

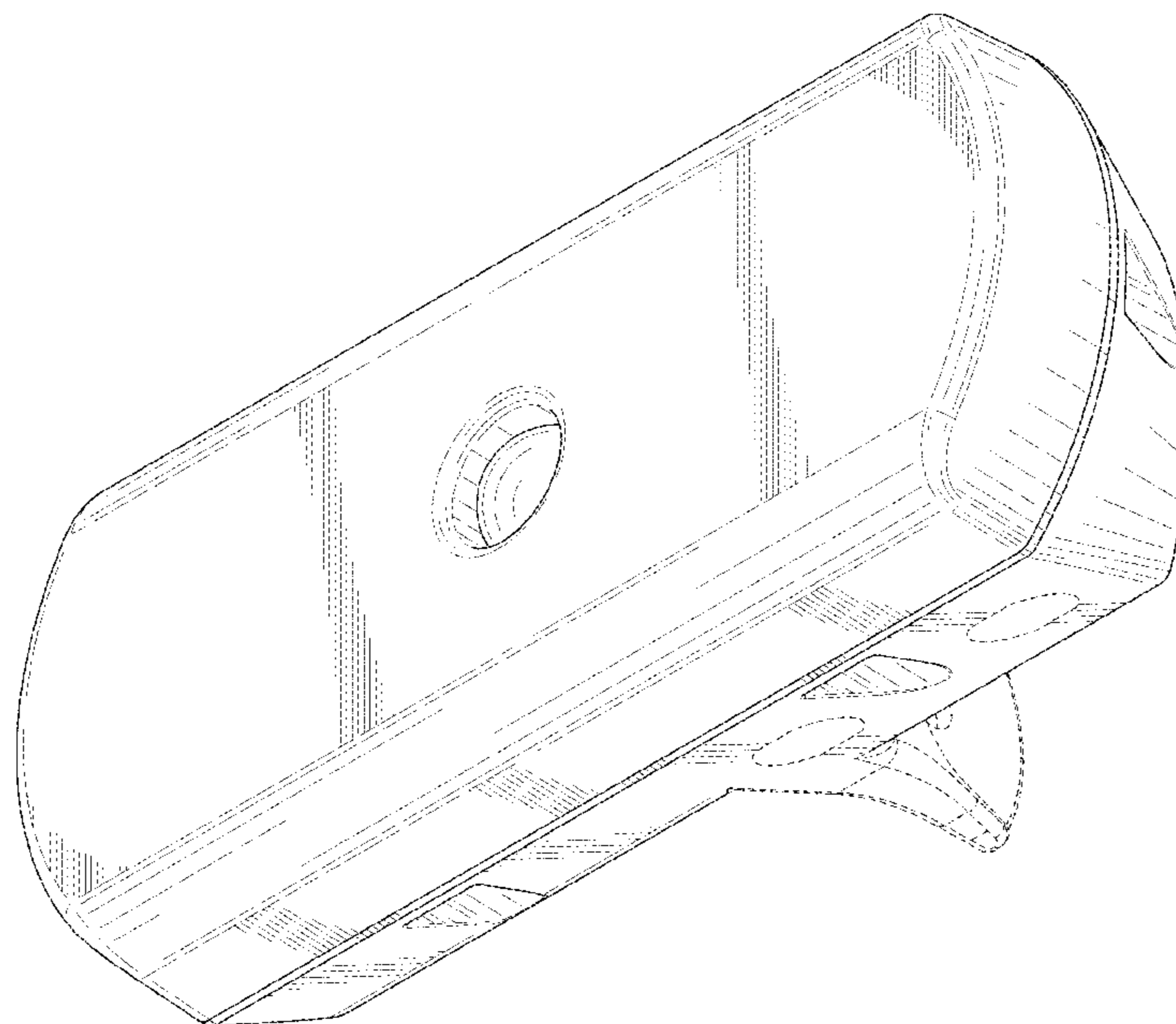
The ornamental design for a fan controller, as shown and described.

DESCRIPTION

FIG. 1 is a bottom perspective view of the fan controller shown in use;
FIG. 2 is a bottom perspective view of the fan controller;
FIG. 3 is a rear perspective view of the fan controller;
FIG. 4 is a front view of the fan controller;
FIG. 5 is a right side view;
FIG. 6 is a left side view;
FIG. 7 is a rear view;
FIG. 8 is a top view; and,
FIG. 9 is a bottom view.

The broken line depictions form no part of the claimed design.

1 Claim, 9 Drawing Sheets



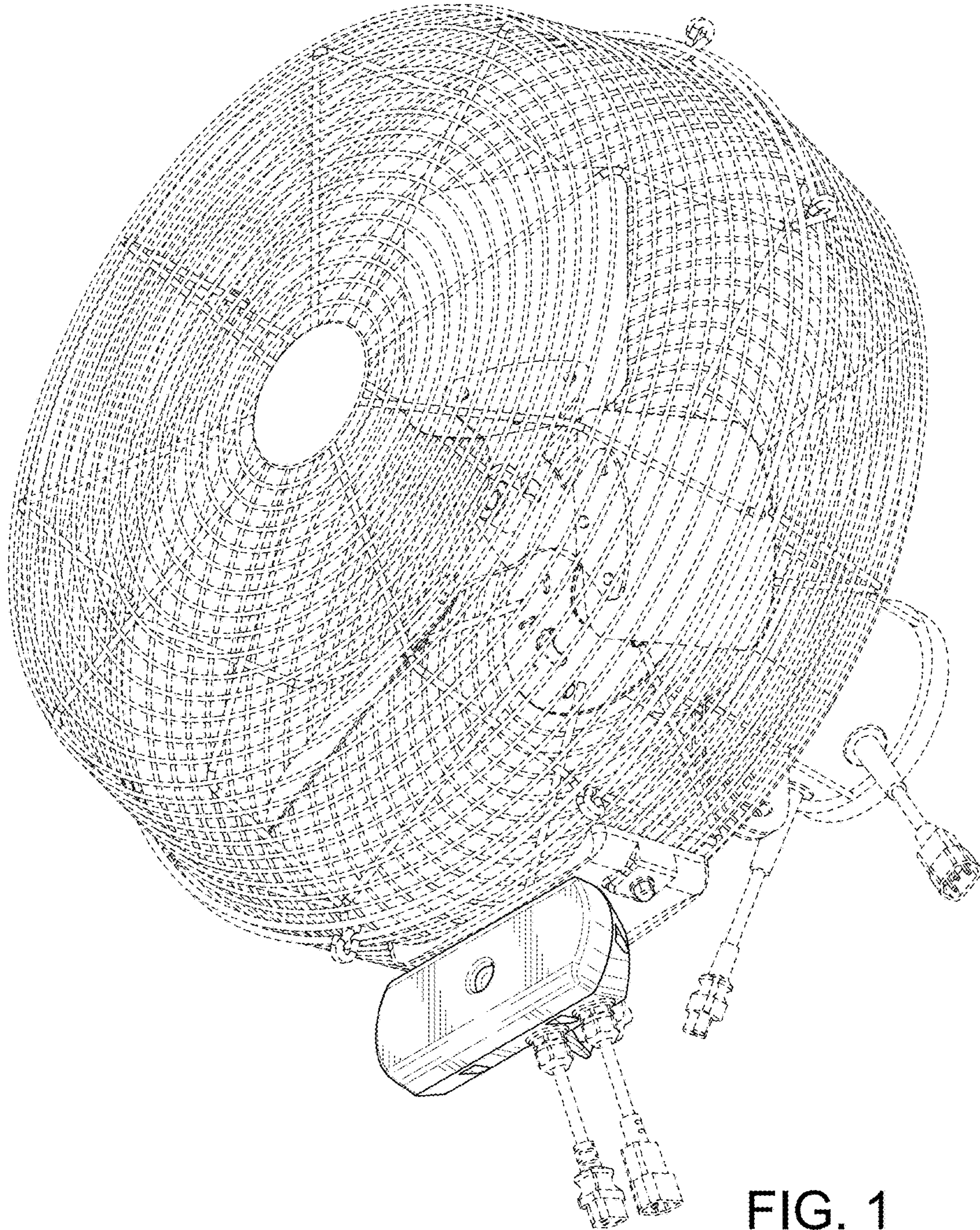


FIG. 1

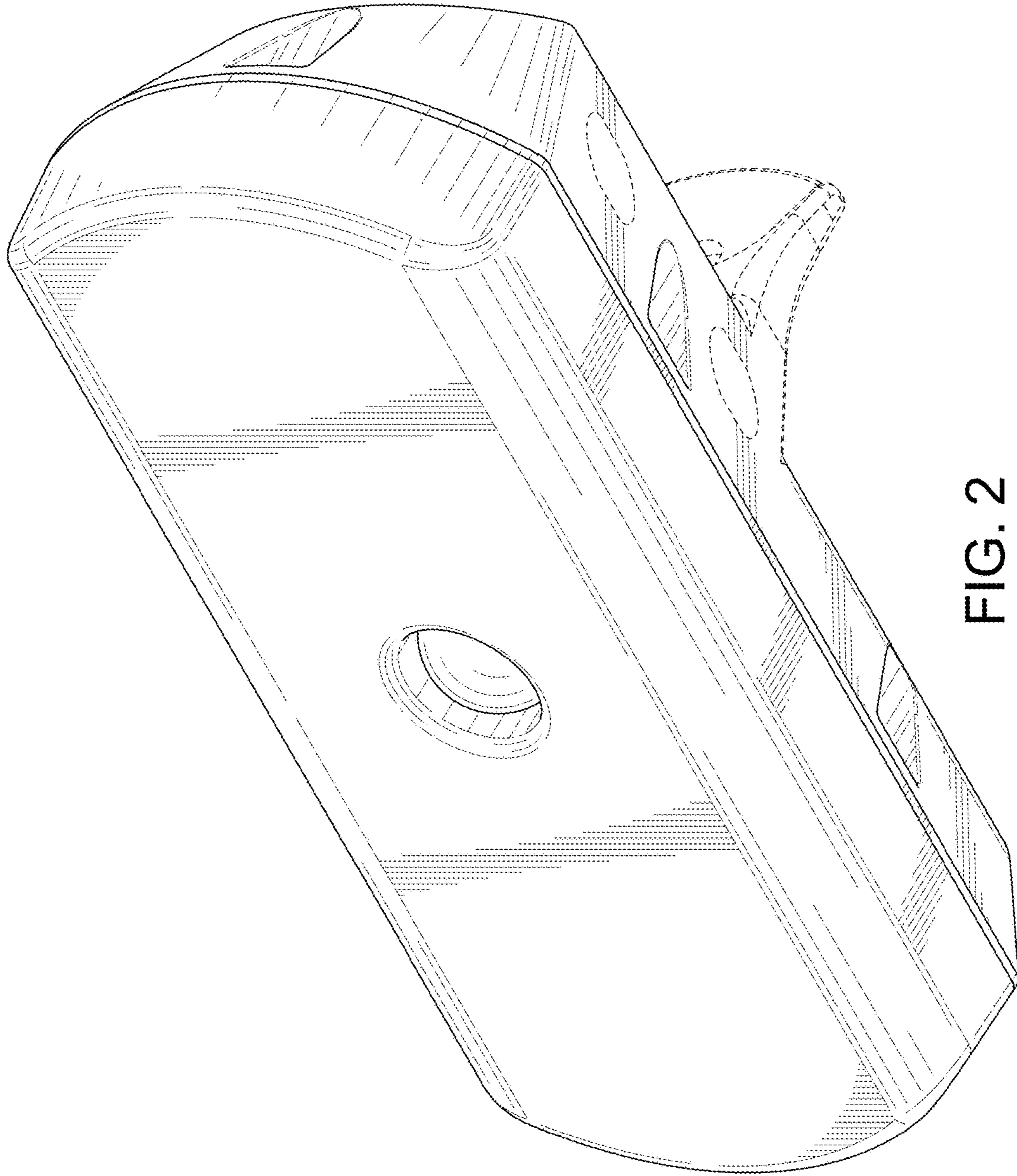


FIG. 2

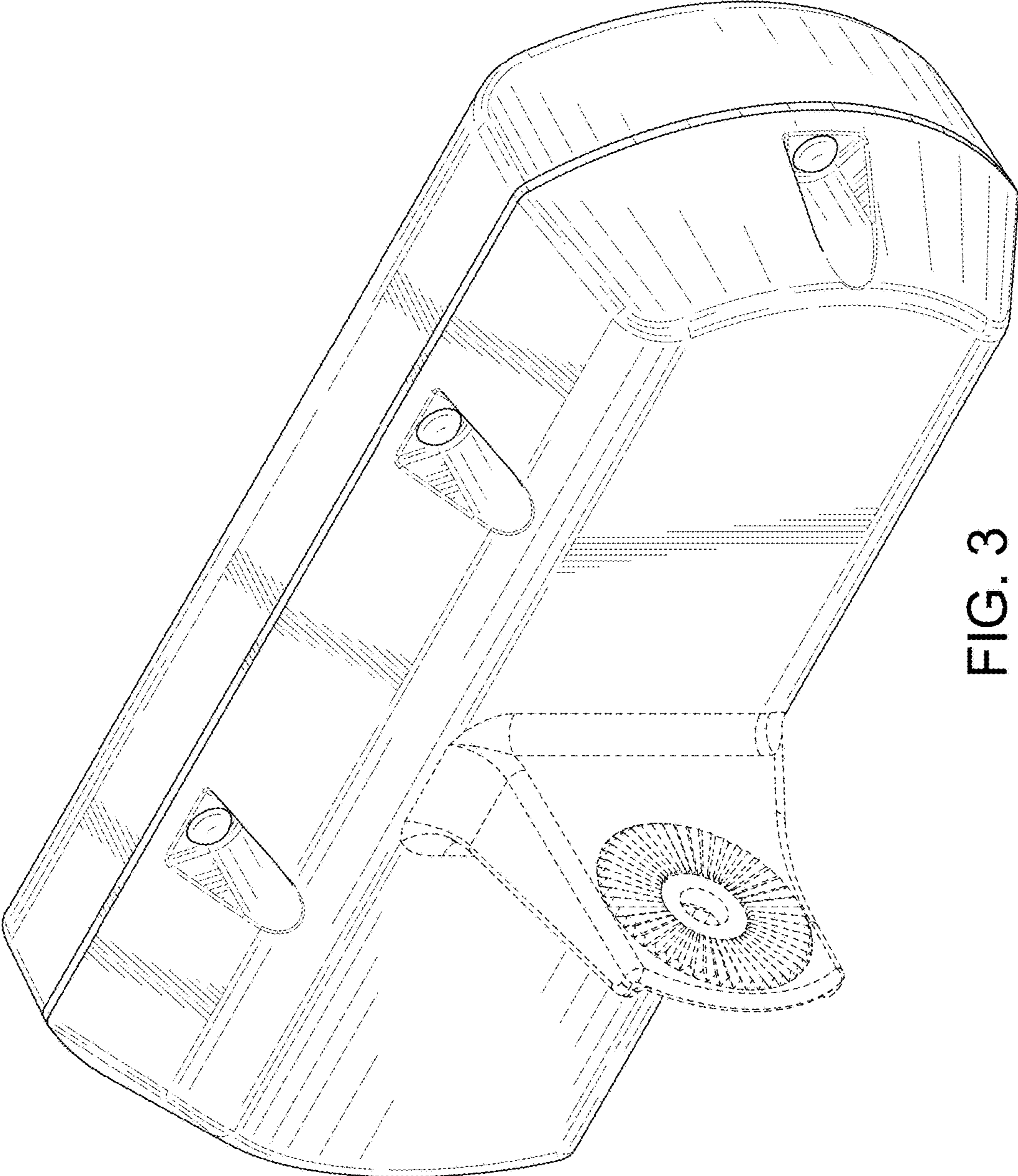


FIG. 3

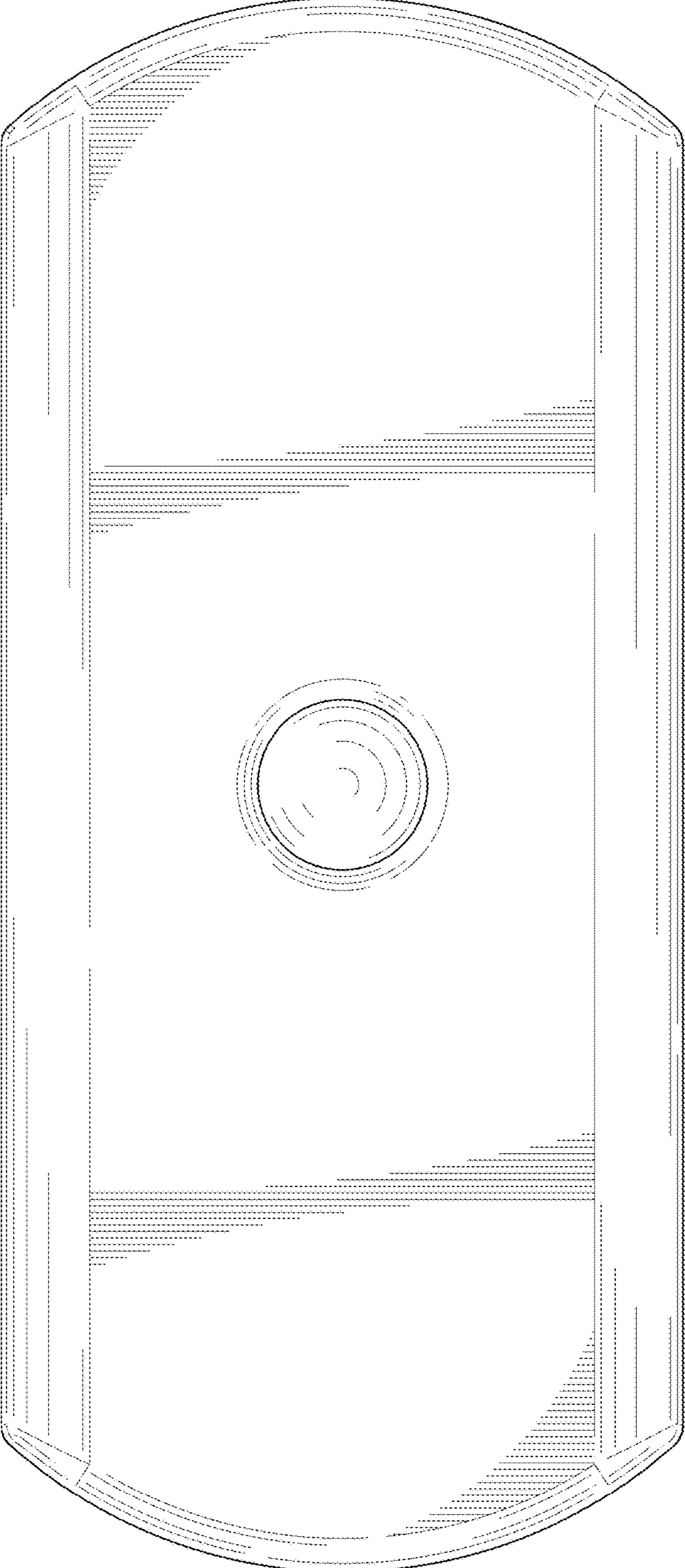


FIG. 4

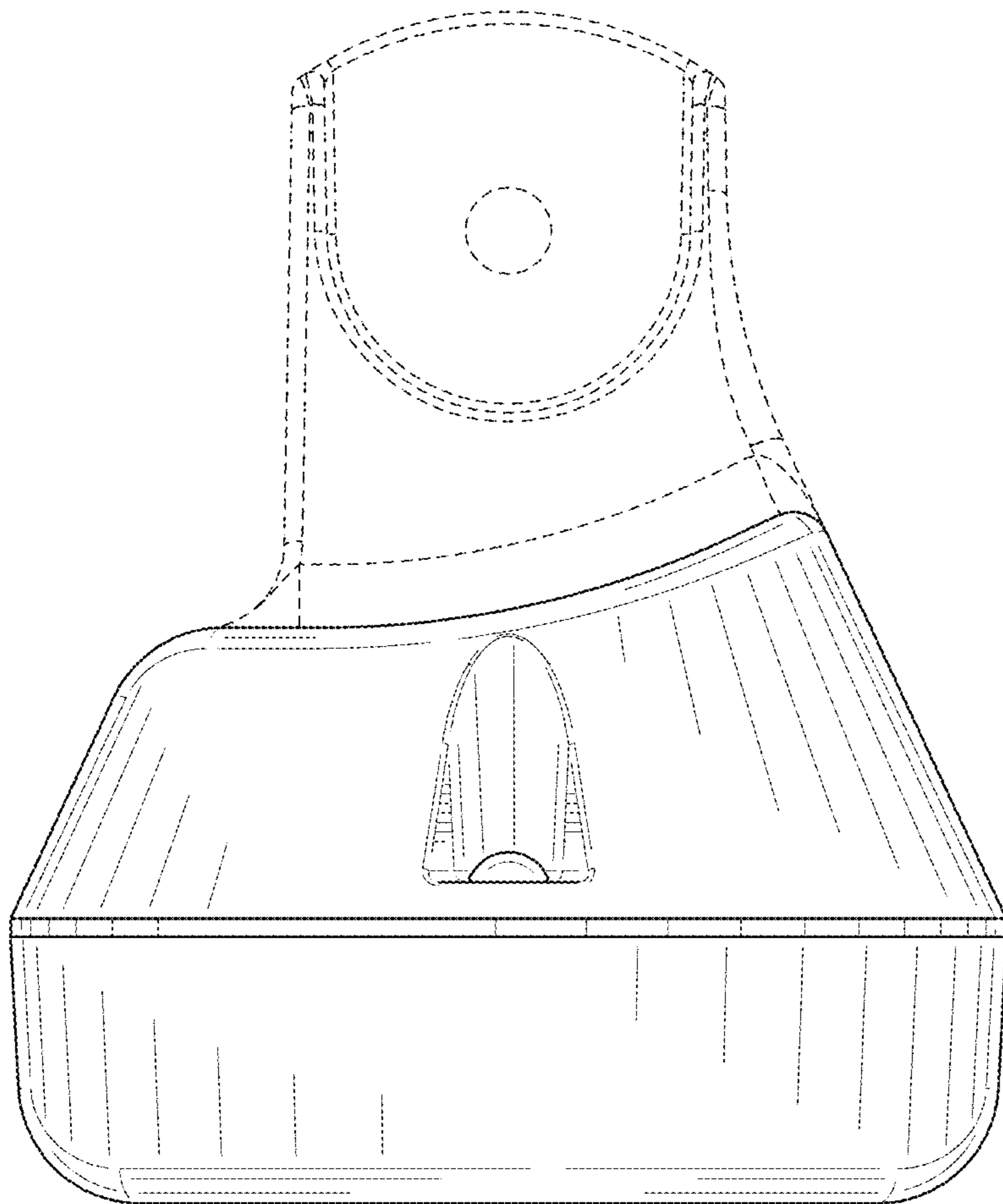


FIG. 5

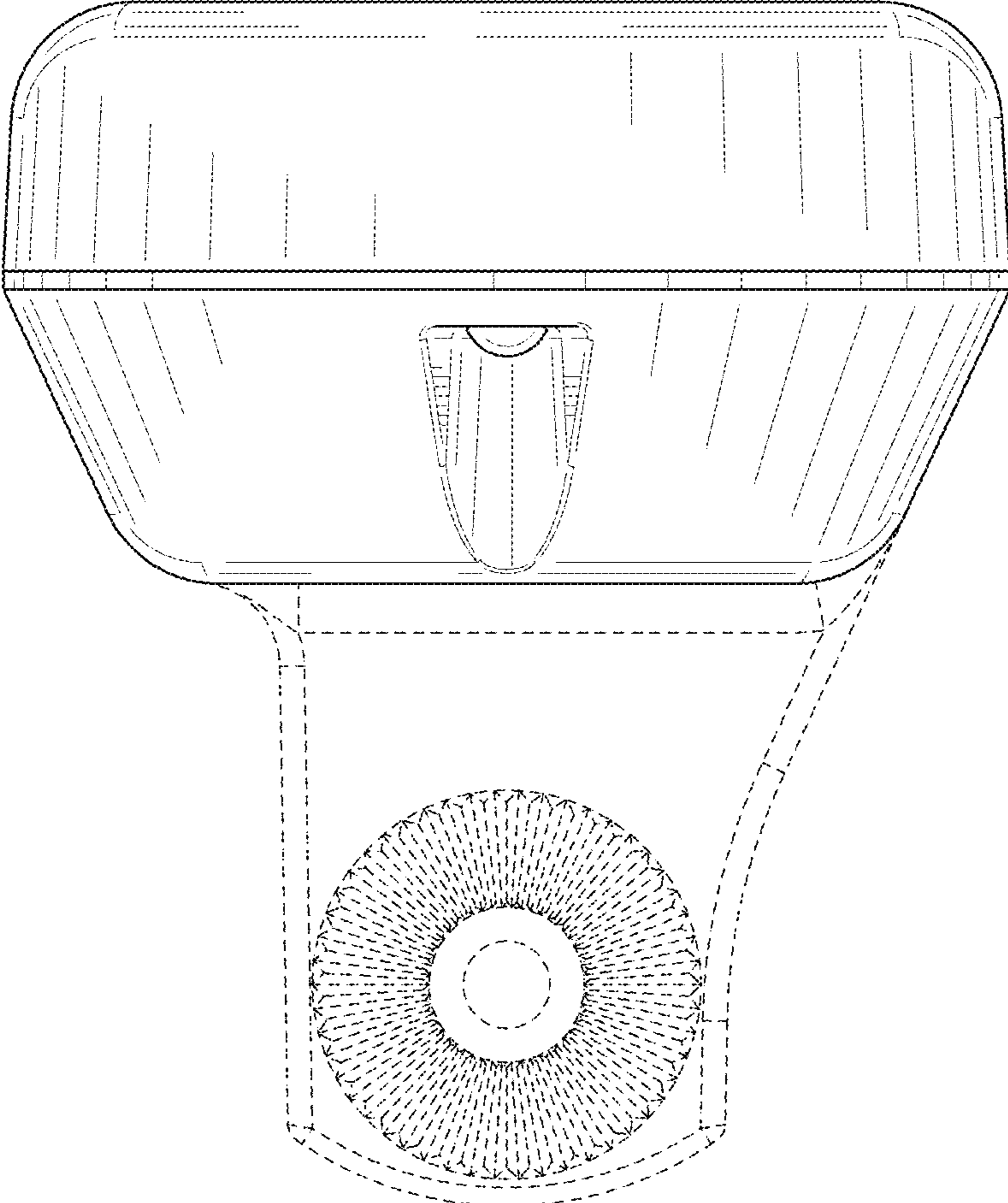


FIG. 6

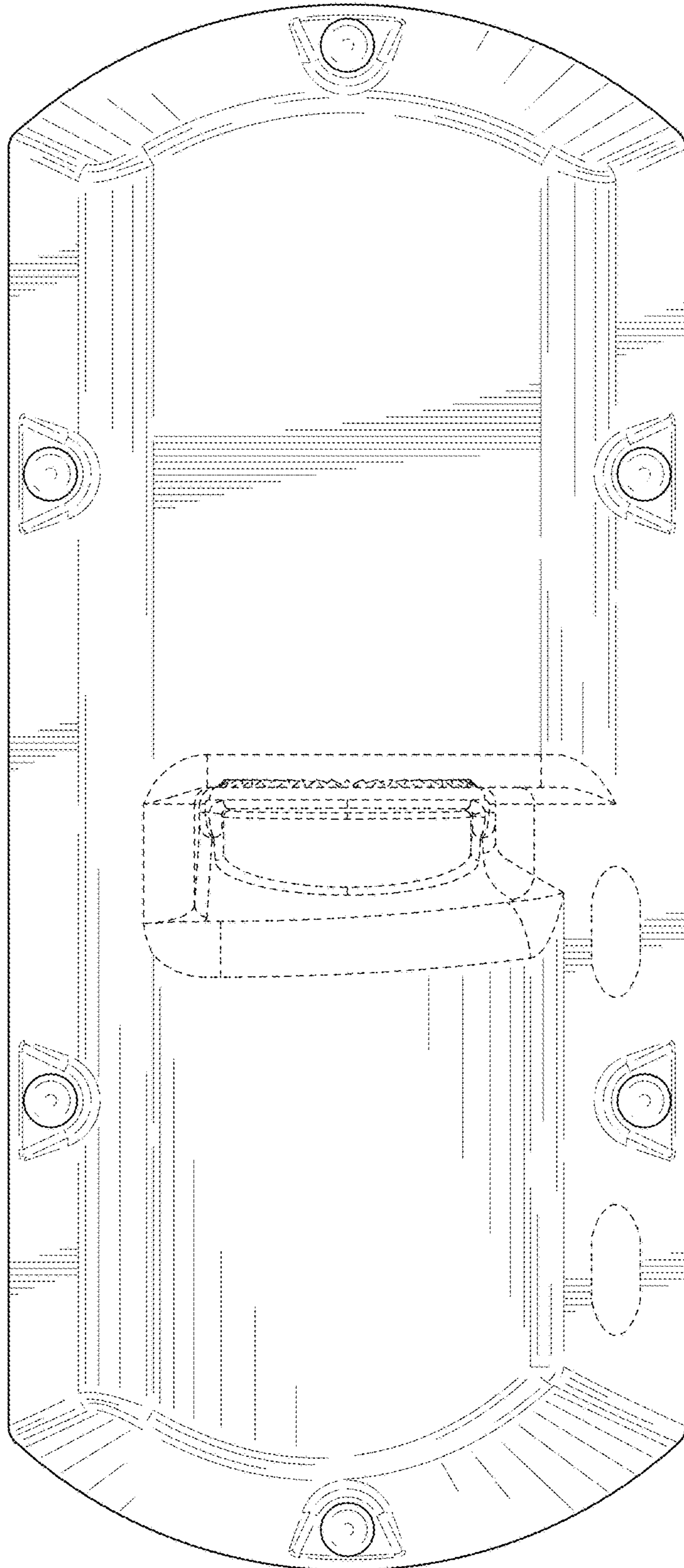


FIG. 7

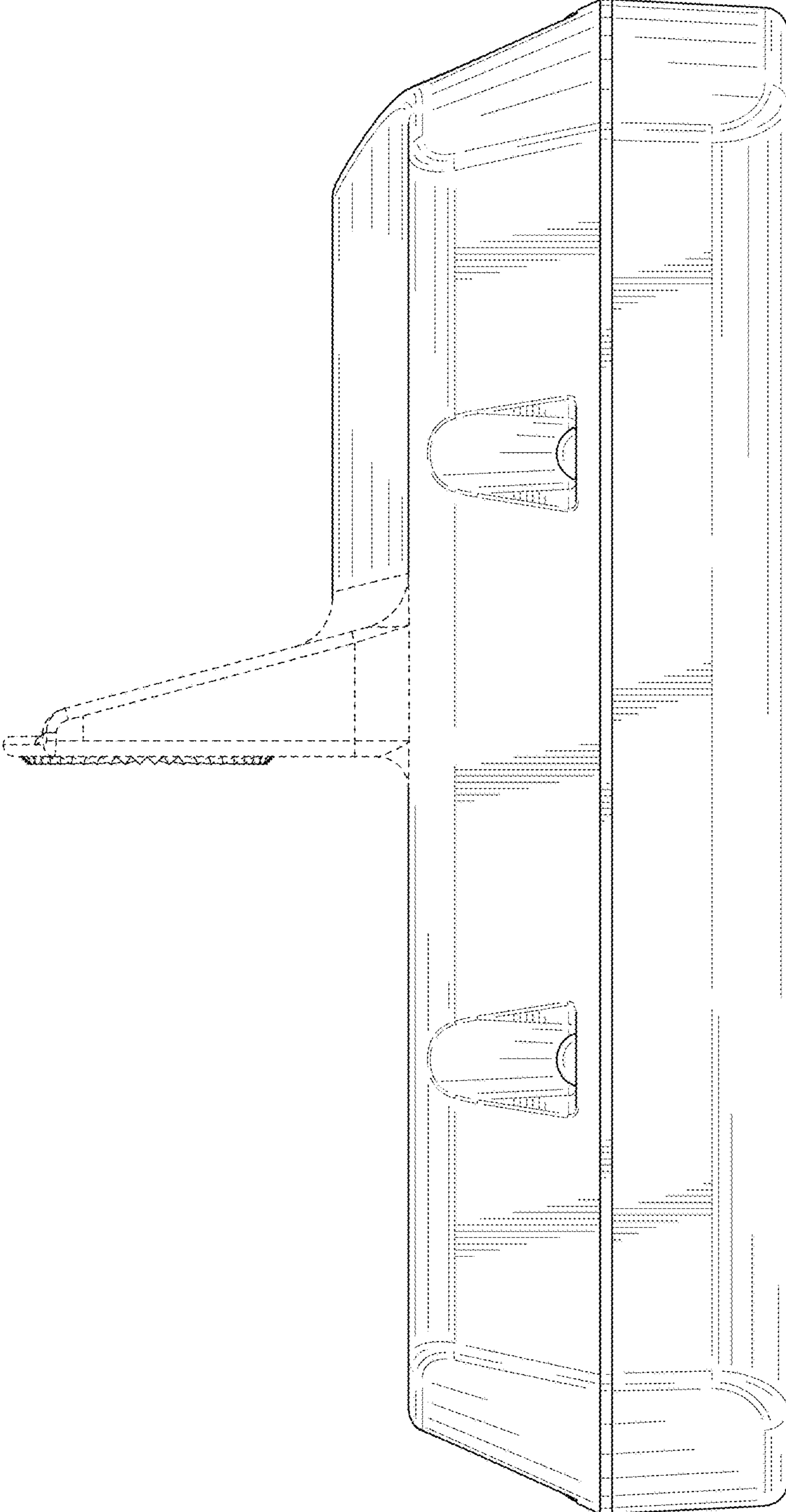


FIG. 8

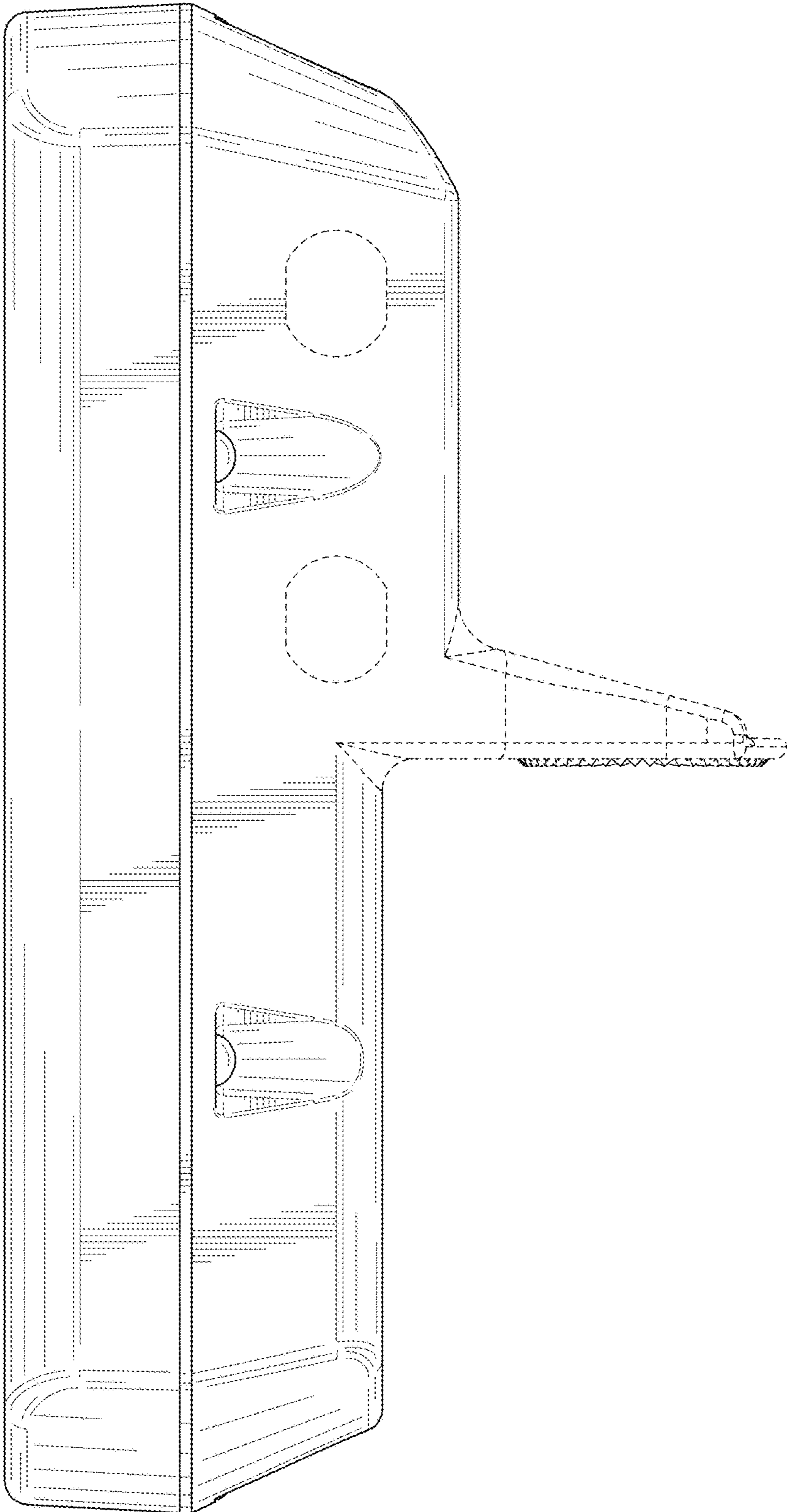


FIG. 9