



US00D827581S

(12) **United States Design Patent** (10) **Patent No.:** **US D827,581 S**
Ho (45) **Date of Patent:** **** Sep. 4, 2018**

(54) **ELECTRICAL CONNECTOR**

(71) Applicant: **CHIEF LAND ELECTRONIC CO., LTD.**, New Taipei (TW)

(72) Inventor: **Shin-Tai Ho**, New Taipei (TW)

(73) Assignee: **CHIEF LAND ELECTRONIC CO., LTD.**, New Taipei (TW)

(**) Term: **15 Years**

(21) Appl. No.: **29/609,647**

(22) Filed: **Jul. 3, 2017**

(51) **LOC (11) Cl.** **13-03**

(52) **U.S. Cl.**
USPC **D13/147**

(58) **Field of Classification Search**

USPC D13/123, 133, 146, 147, 154, 184, 199
CPC H01R 12/51; H01R 12/52; H01R 12/57;
H01R 12/592; H01R 12/61; H01R 12/63;
H01R 12/7005; H01R 12/716; H01R
12/72; H01R 12/732; H01R 12/777;
H01R 12/79; H01R 12/87; H01R 12/89;
H01R 13/213; H01R 13/2464; H01R
13/2492; H01R 13/26; H01R 13/28;
H01R 13/428; H01R 13/434; H01R
13/4362; H01R 13/4534; H01R 13/506;
H01R 13/508; H01R 13/5804; H01R
13/5816; H01R 13/585; H01R 13/6271;
H01R 13/635

See application file for complete search history.

(56) **References Cited**

U.S. PATENT DOCUMENTS

D675,994	S	*	2/2013	Faith	D13/147
D678,843	S	*	3/2013	Faith	D13/147
D690,655	S	*	10/2013	Fu	D13/147
D708,580	S	*	7/2014	McCartin	D13/147
D710,310	S	*	8/2014	McCartin	D13/147

* cited by examiner

Primary Examiner — Daniel Bui

(74) *Attorney, Agent, or Firm* — Li & Cai Intellectual Property (USA) Office

(57) **CLAIM**

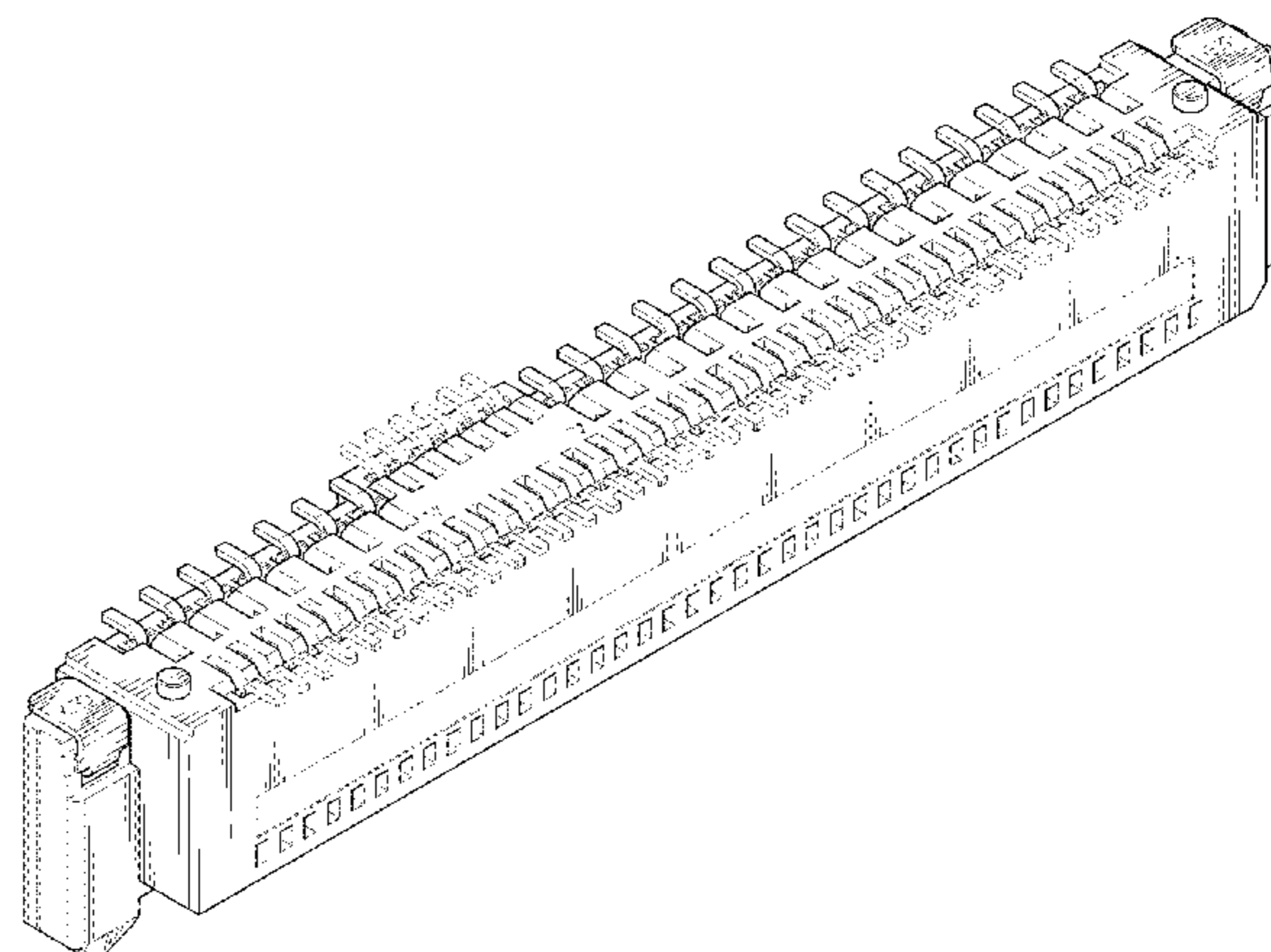
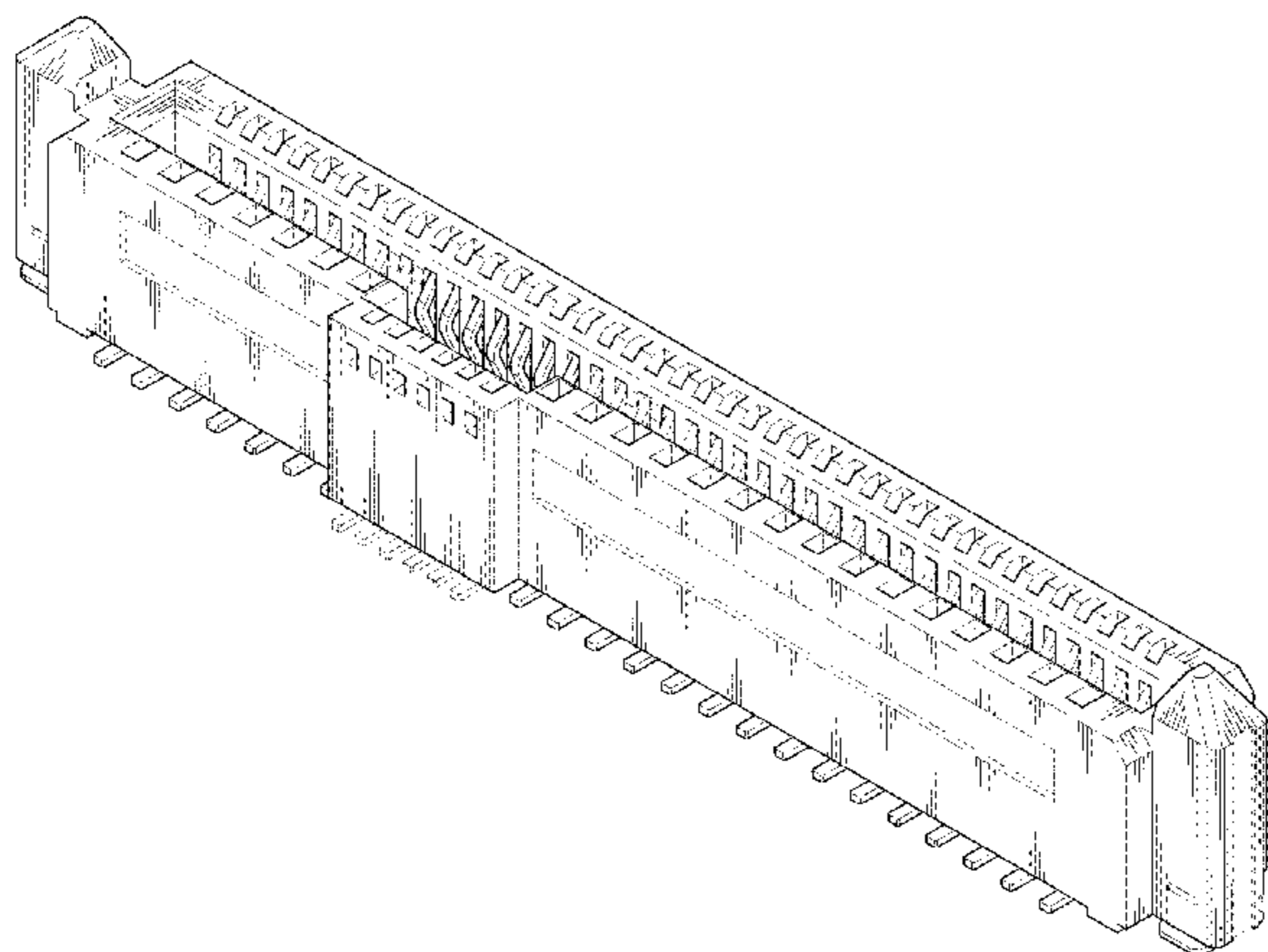
The ornamental design for an “electrical connector,” as shown and described.

DESCRIPTION

FIG. 1 is a front, top and right side perspective view of an electrical connector showing my new design; FIG. 2 is a front elevational view thereof; FIG. 3 is a rear elevational view thereof; FIG. 4 is a left elevational side view thereof; FIG. 5 is a right elevational side view thereof; FIG. 6 is a top plan view thereof; FIG. 7 is a bottom plan view thereof; FIG. 8 is a rear, bottom and left side perspective view thereof; and, FIG. 9 is a cross-sectional view thereof, taken along line “IX-IX” of FIG. 6.

The broken line show in the drawing views represents unclaimed environmental only and forms no part of the claimed design. The relatively light shade lines on the surface portions indicate contour and not surface decoration.

1 Claim, 8 Drawing Sheets



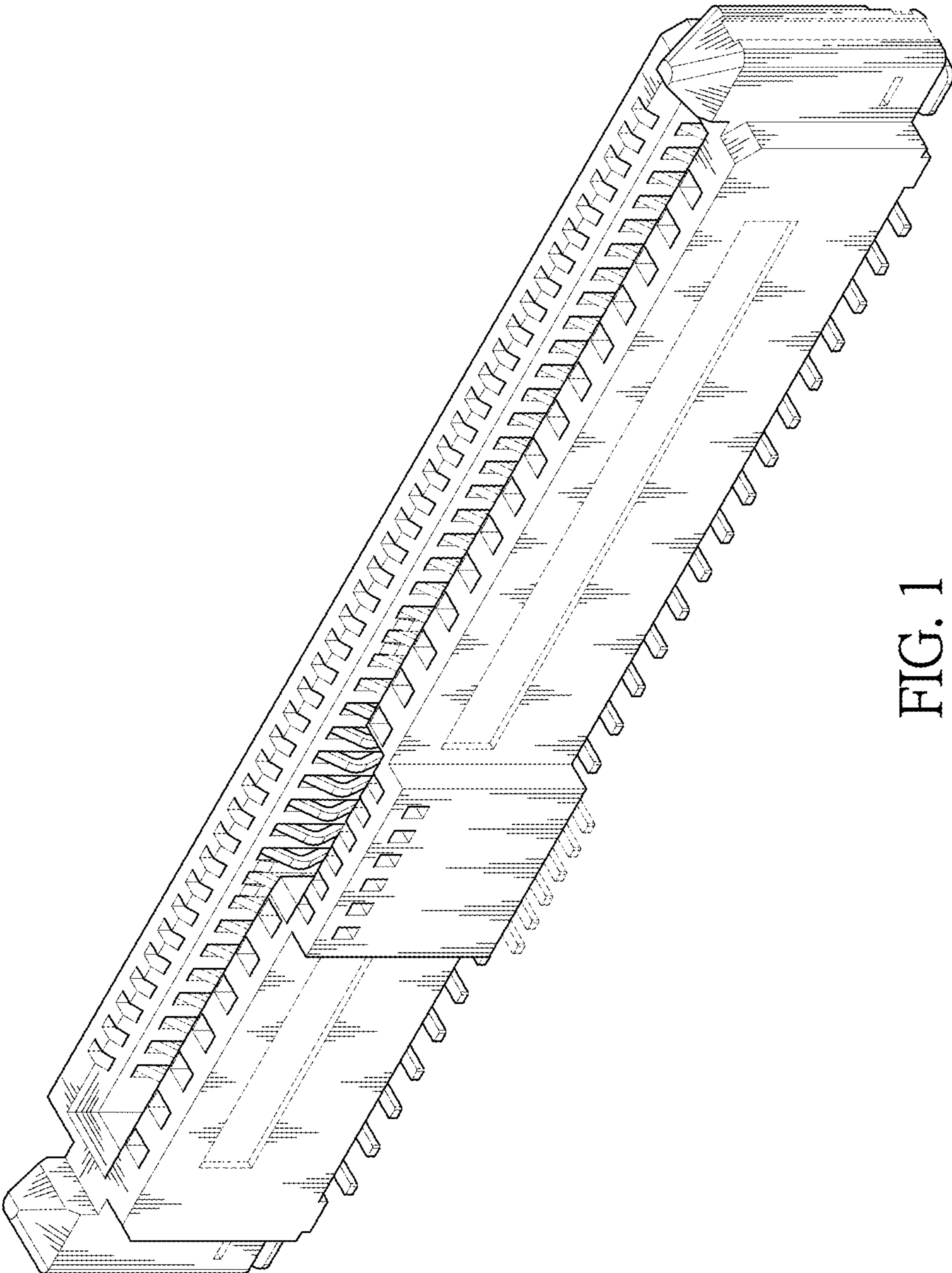


FIG. 1

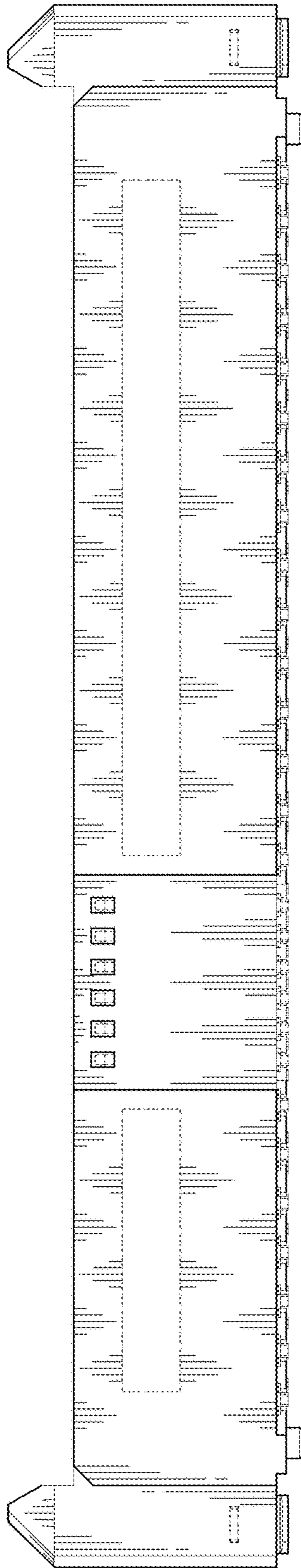


FIG. 2

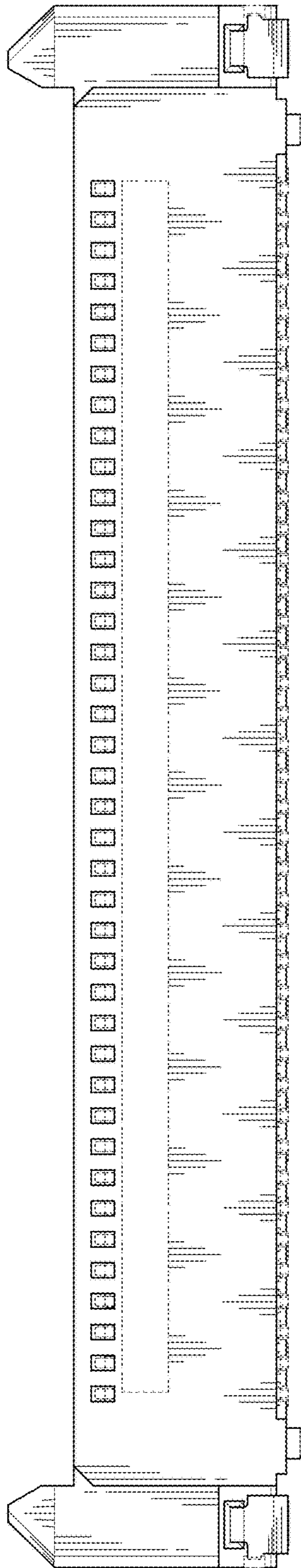


FIG. 3

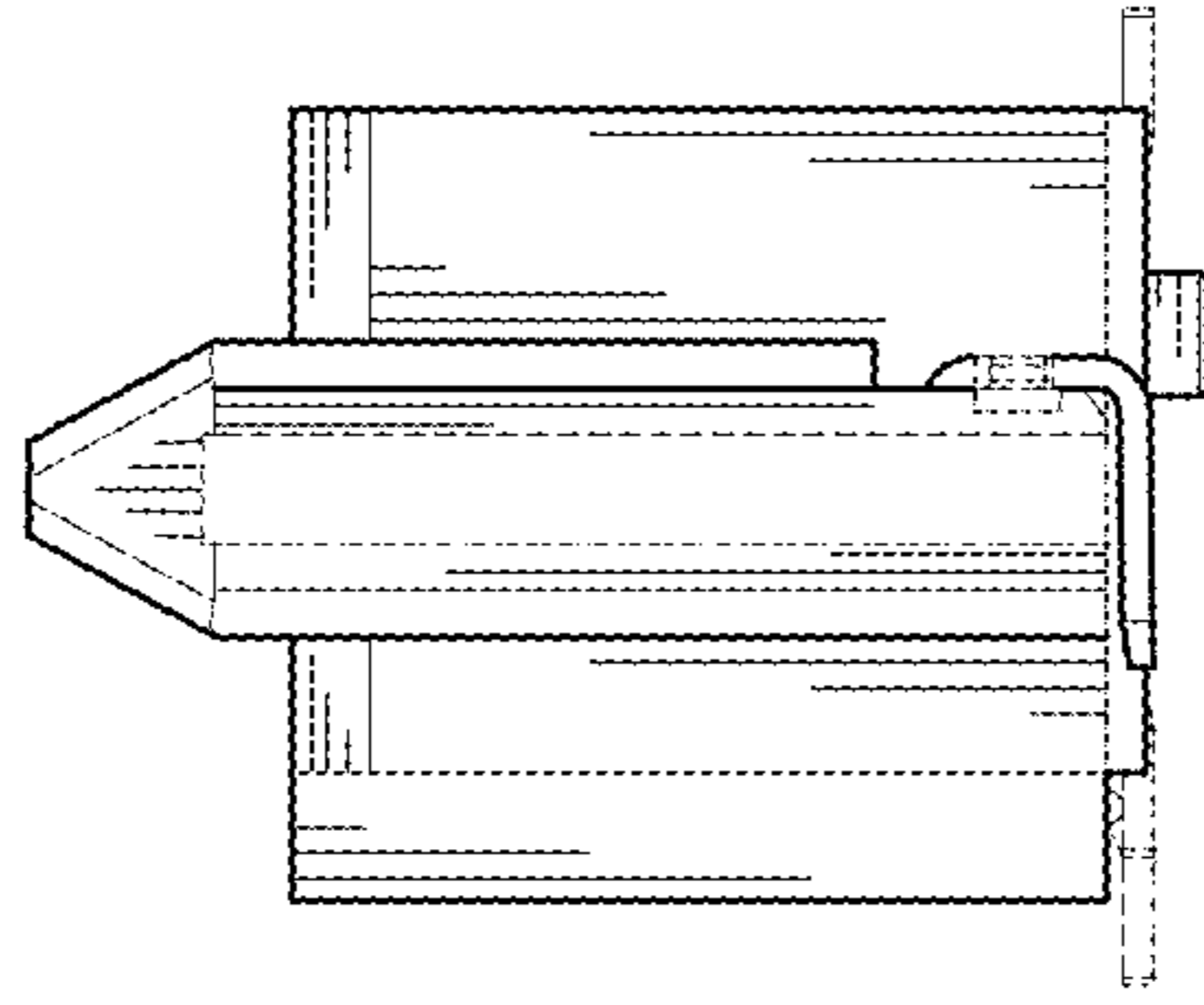


FIG. 5

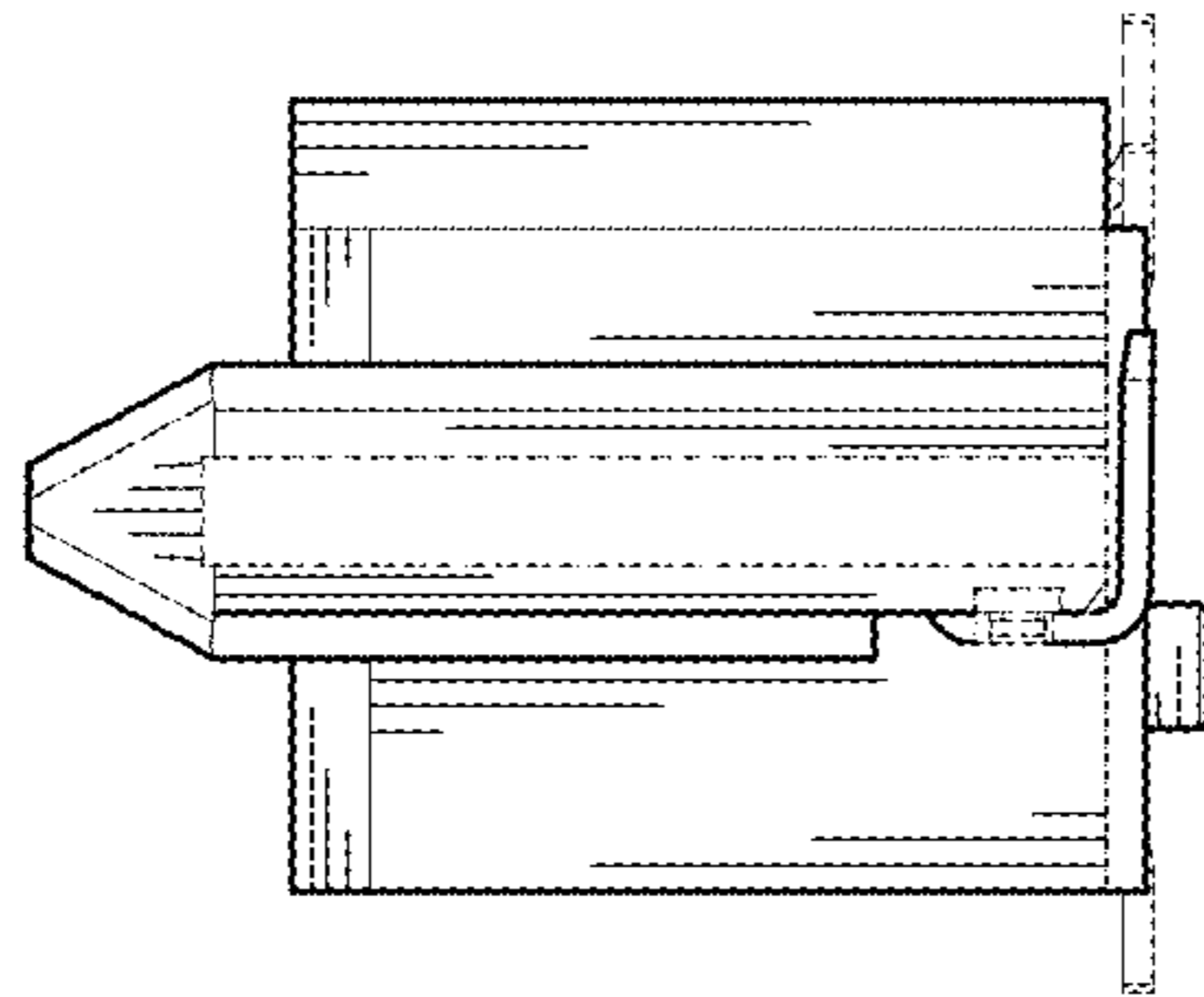


FIG. 4

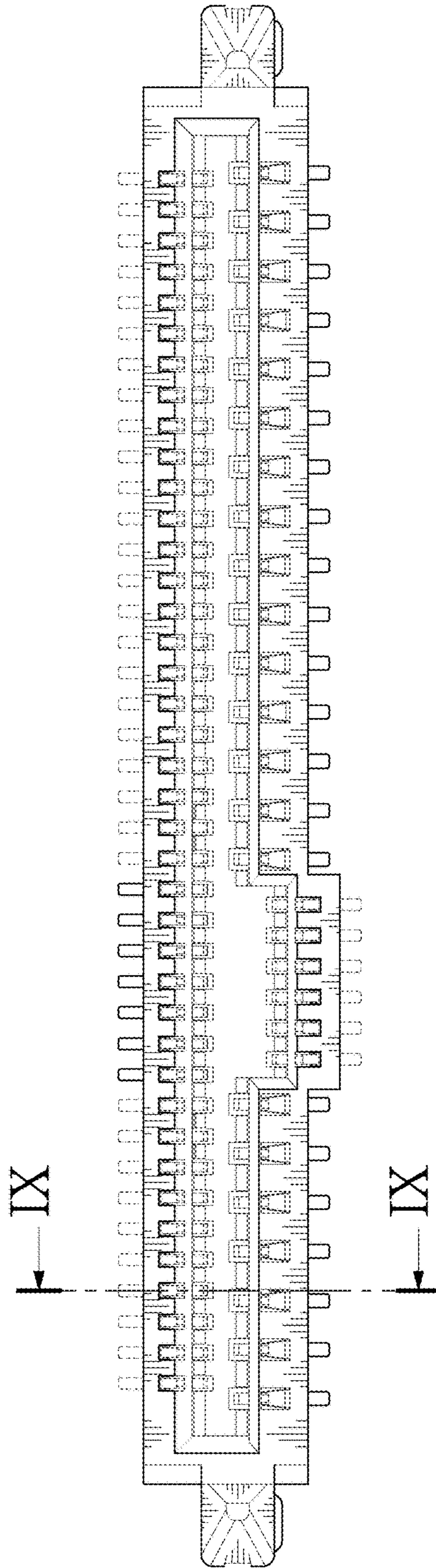


FIG. 6

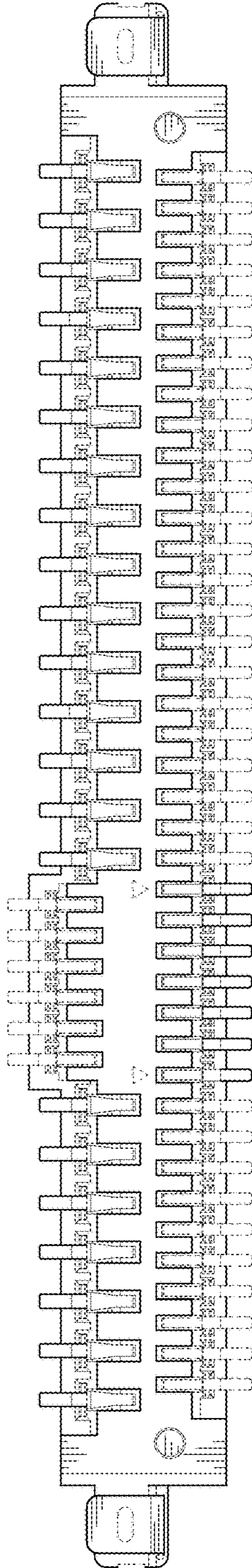


FIG. 7

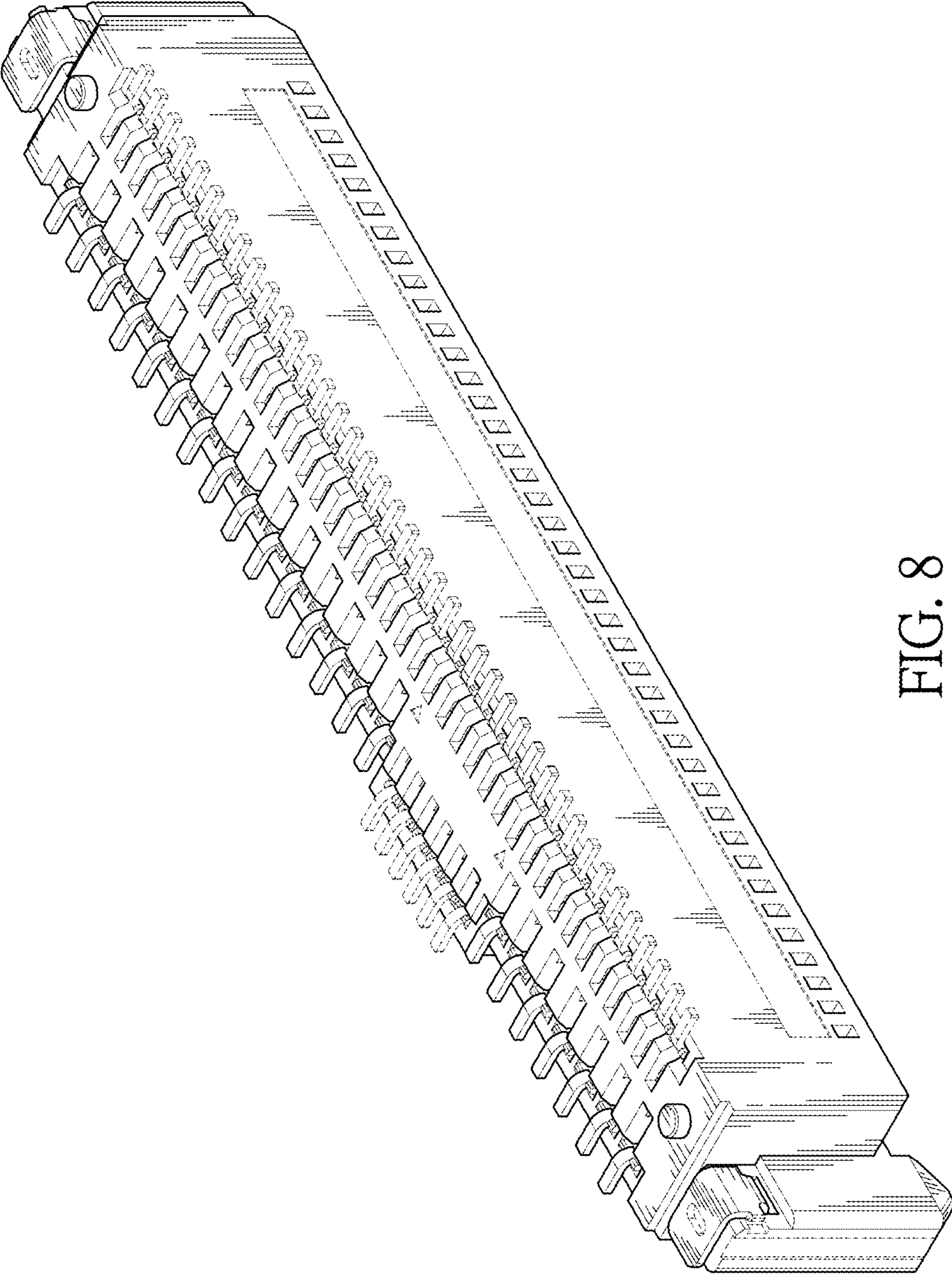


FIG. 8

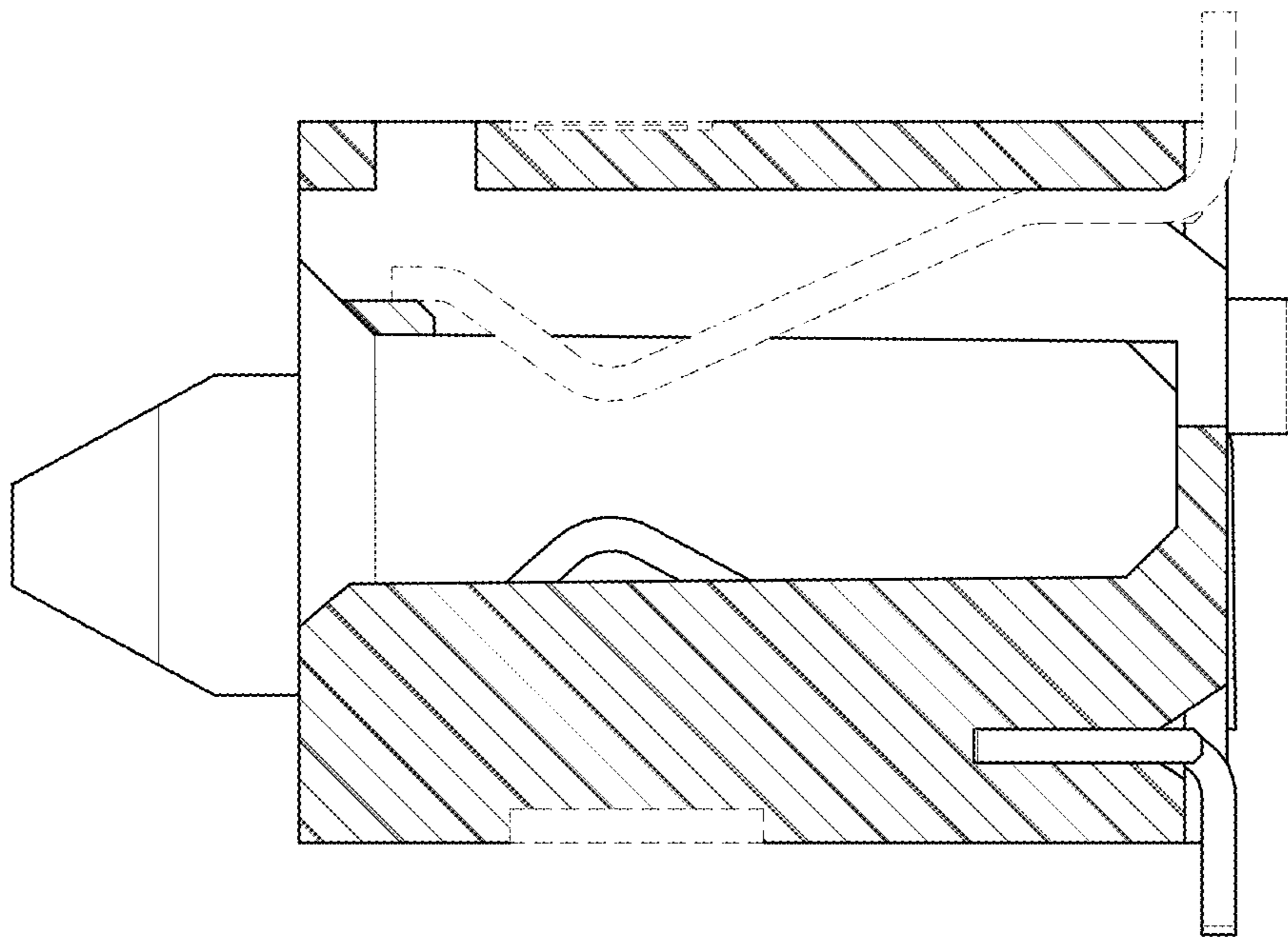


FIG. 9