

US00D827579S

(12) **United States Design Patent** (10) **Patent No.:** **US D827,579 S**
Byrne et al. (45) **Date of Patent:** **** Sep. 4, 2018**

(54) **POWER AND DATA RECEPTACLE MOUNT**

7,736,178 B2 6/2010 Byrne
D620,435 S * 7/2010 Yang D13/120
D624,017 S * 9/2010 Liu D13/120
D628,539 S * 12/2010 Tezak D13/152
D639,737 S * 6/2011 Saber D13/118
(Continued)

(71) Applicants: **Norman R. Byrne**, Ada, MI (US);
Juan Carlos Angulo, Grand Rapids, MI
(US); **Matthew R. Andree**, Rockford,
MI (US); **Joseph D. Ward**, Grand
Rapids, MI (US)

(72) Inventors: **Norman R. Byrne**, Ada, MI (US);
Juan Carlos Angulo, Grand Rapids, MI
(US); **Matthew R. Andree**, Rockford,
MI (US); **Joseph D. Ward**, Grand
Rapids, MI (US)

(**) Term: **15 Years**

(21) Appl. No.: **29/607,295**

(22) Filed: **Jun. 12, 2017**

(51) **LOC (11) Cl.** **13-03**

(52) **U.S. Cl.**
USPC **D13/139.4**

(58) **Field of Classification Search**
USPC D13/117–122, 133, 139.4, 112, 152
CPC H01R 13/44; H01R 13/60; H01R 13/447;
H01R 13/6315; H01R 25/003; H01R
25/006

See application file for complete search history.

(56) **References Cited**

U.S. PATENT DOCUMENTS

- 6,589,064 B1 * 7/2003 Chen H01R 13/6395
439/135
D514,514 S * 2/2006 Franks, Jr. D13/133
D553,082 S * 10/2007 Peng D13/133
D555,093 S * 11/2007 Chien D13/133
D555,095 S * 11/2007 Ho D13/133
D567,769 S * 4/2008 Sinai D13/152
D568,246 S * 5/2008 Wu D13/133
D568,815 S * 5/2008 Chiang D13/133
D579,415 S * 10/2008 Gershfeld D13/139.4
D582,348 S * 12/2008 Shiu D13/133

OTHER PUBLICATIONS

Co-pending Design U.S. Appl. No. 29/605,930, filed May 31, 2017.

Primary Examiner — Manpreet S Matharu
Assistant Examiner — Jennifer M Campbell
(74) *Attorney, Agent, or Firm* — Gardner, Linn, Burkhardt
& Ondersma LLP

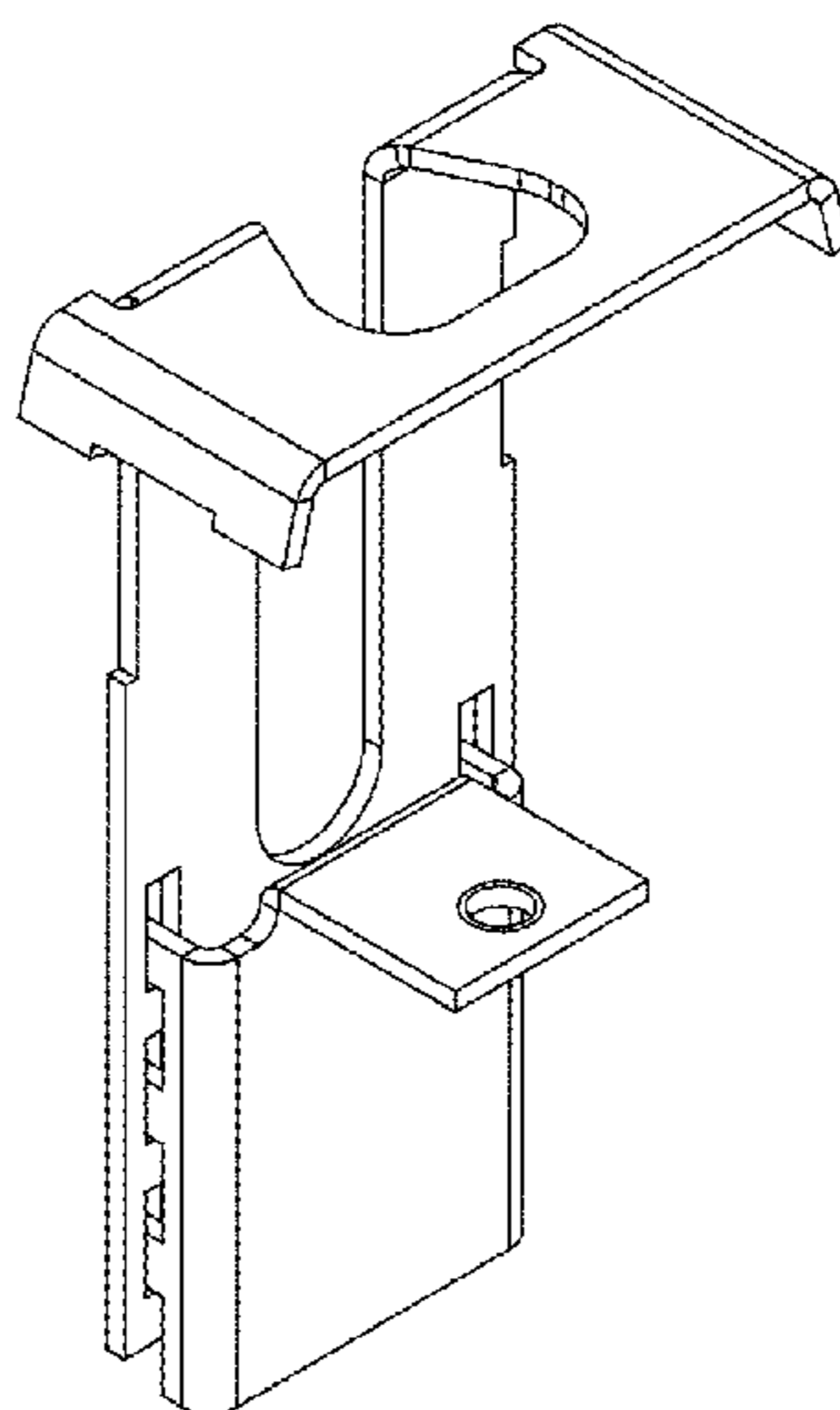
(57) **CLAIM**

The ornamental design for a power and data receptacle mount, as shown and described.

DESCRIPTION

FIG. 1 is a front perspective view of a power and data receptacle mount showing our new design, viewed from above and to the right;
FIG. 2 is another front perspective view thereof, viewed from below and to the left;
FIG. 3 is a rear perspective view thereof, viewed from above and to the right;
FIG. 4 is another rear perspective view thereof, viewed from below and to the left;
FIG. 5 is a top plan view thereof;
FIG. 6 is a bottom plan view thereof;
FIG. 7 is a front elevation thereof;
FIG. 8 is a rear elevation thereof;
FIG. 9 is a right side elevation thereof;
FIG. 10 is a left side elevation thereof; and,
FIG. 11 is another front elevation thereof, in a use condition.
In the drawings, the broken lines depict environmental subject matter and form no part of the claimed design.

1 Claim, 3 Drawing Sheets



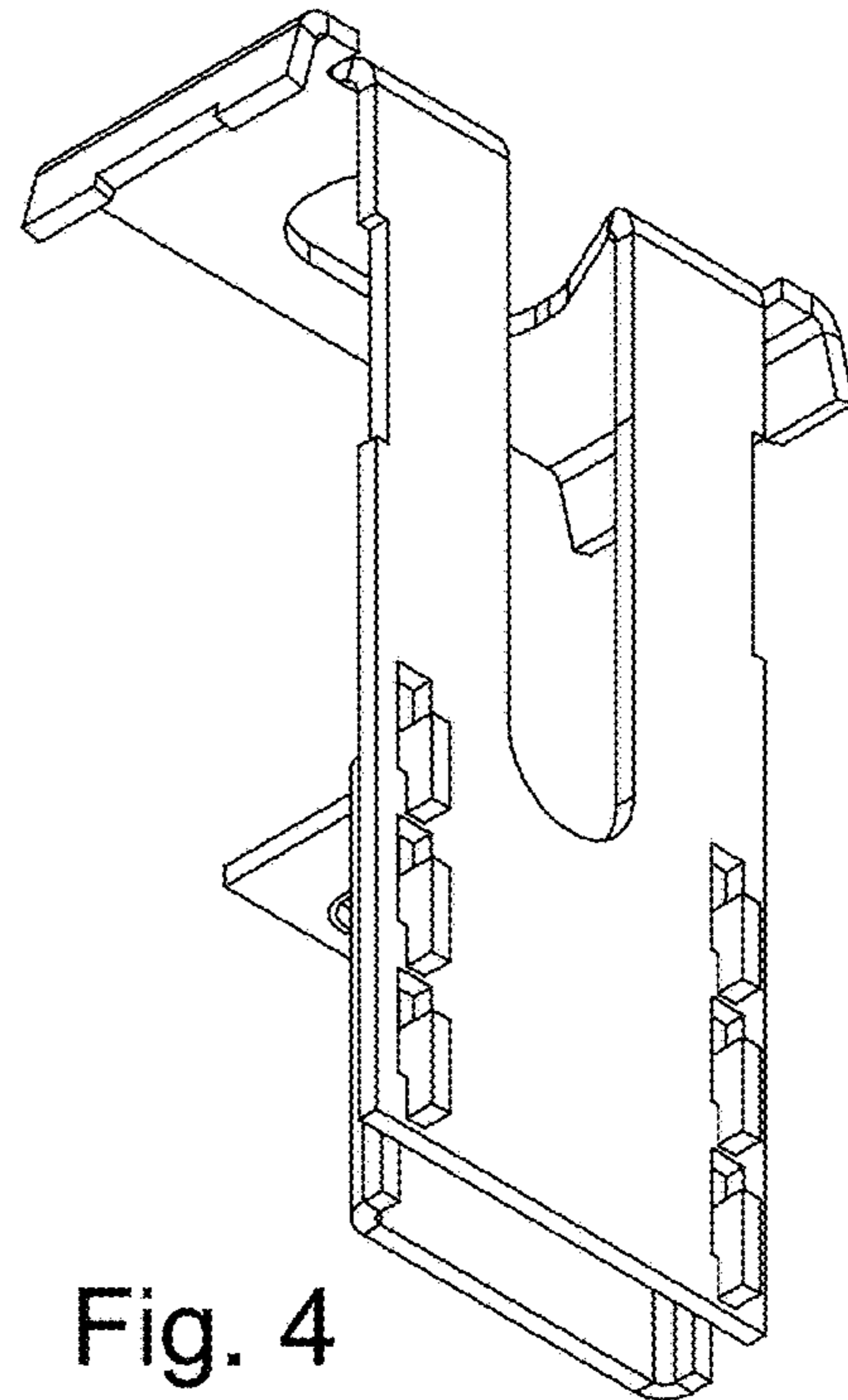
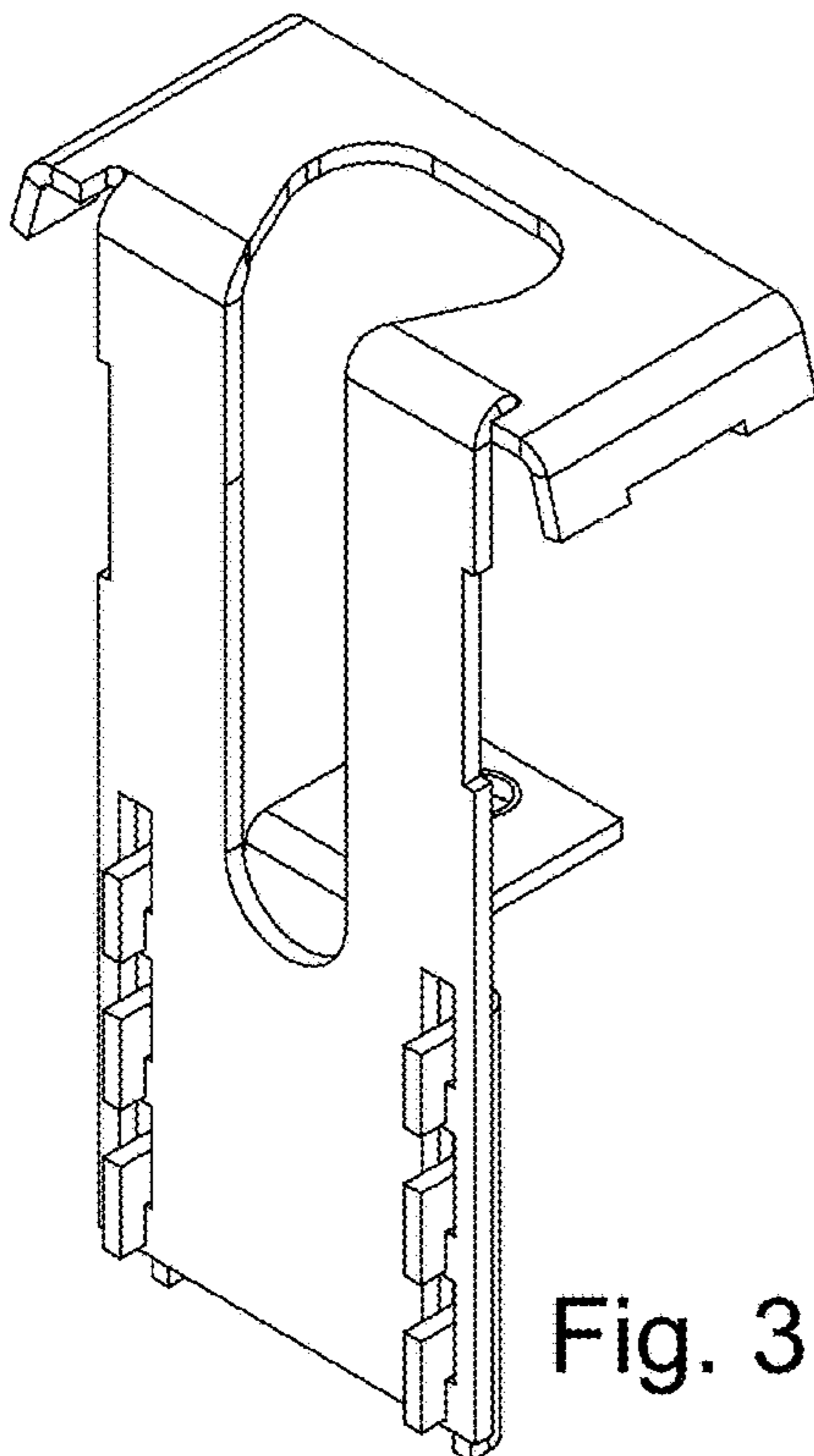
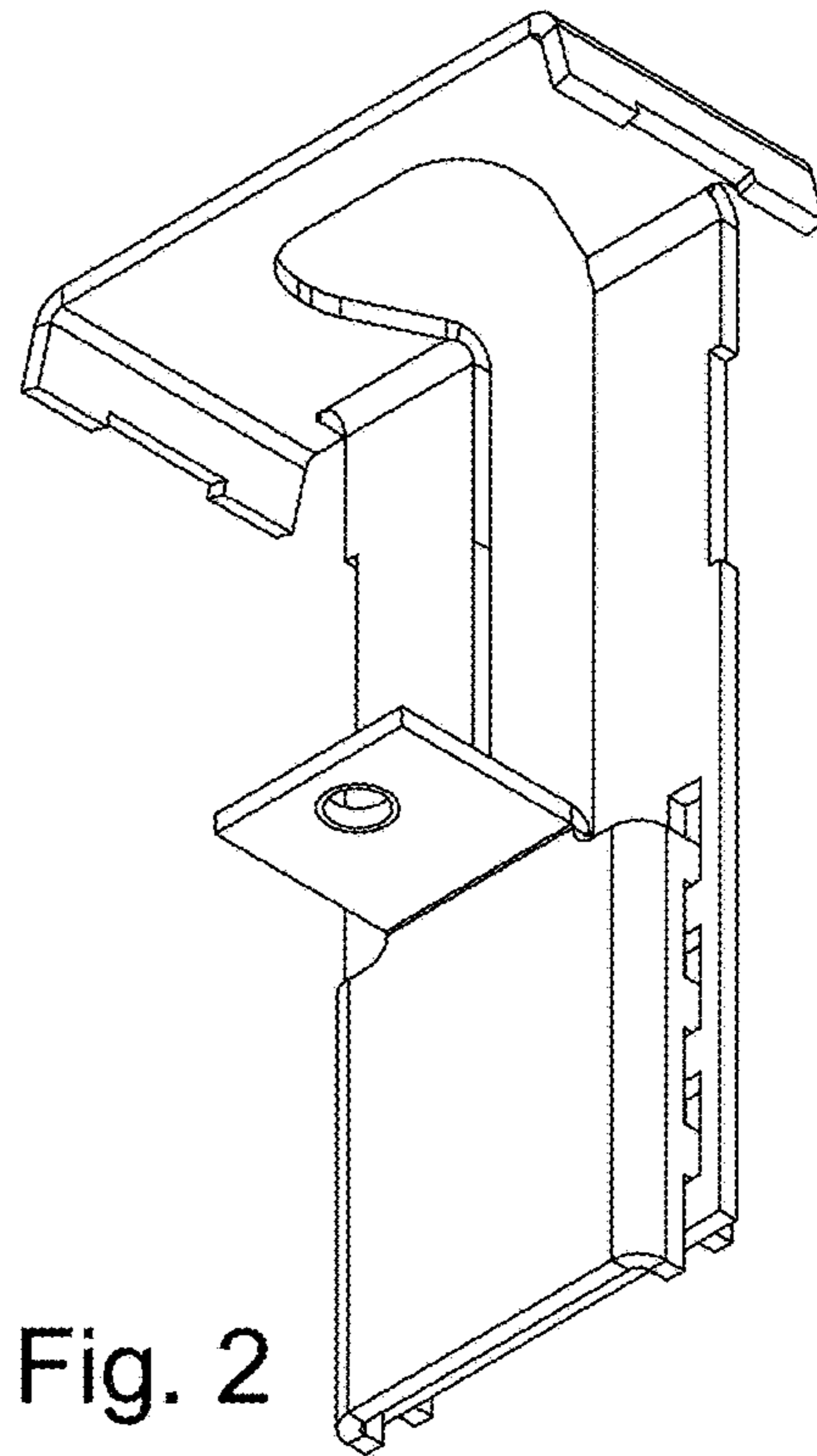
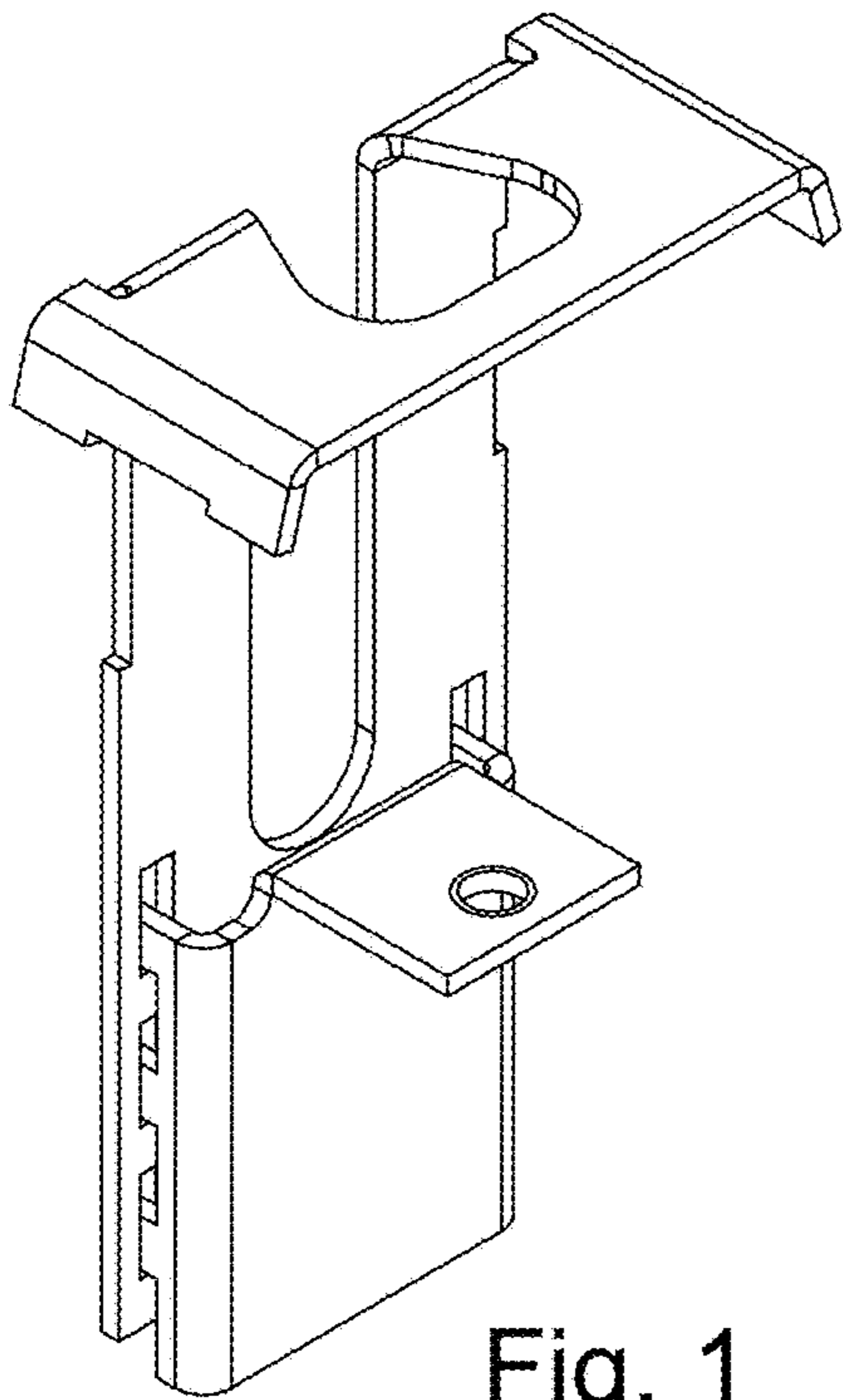
(56)

References Cited

U.S. PATENT DOCUMENTS

9,148,006 B2 9/2015 Byrne et al.
D758,968 S * 6/2016 El Zakhem D13/122

* cited by examiner



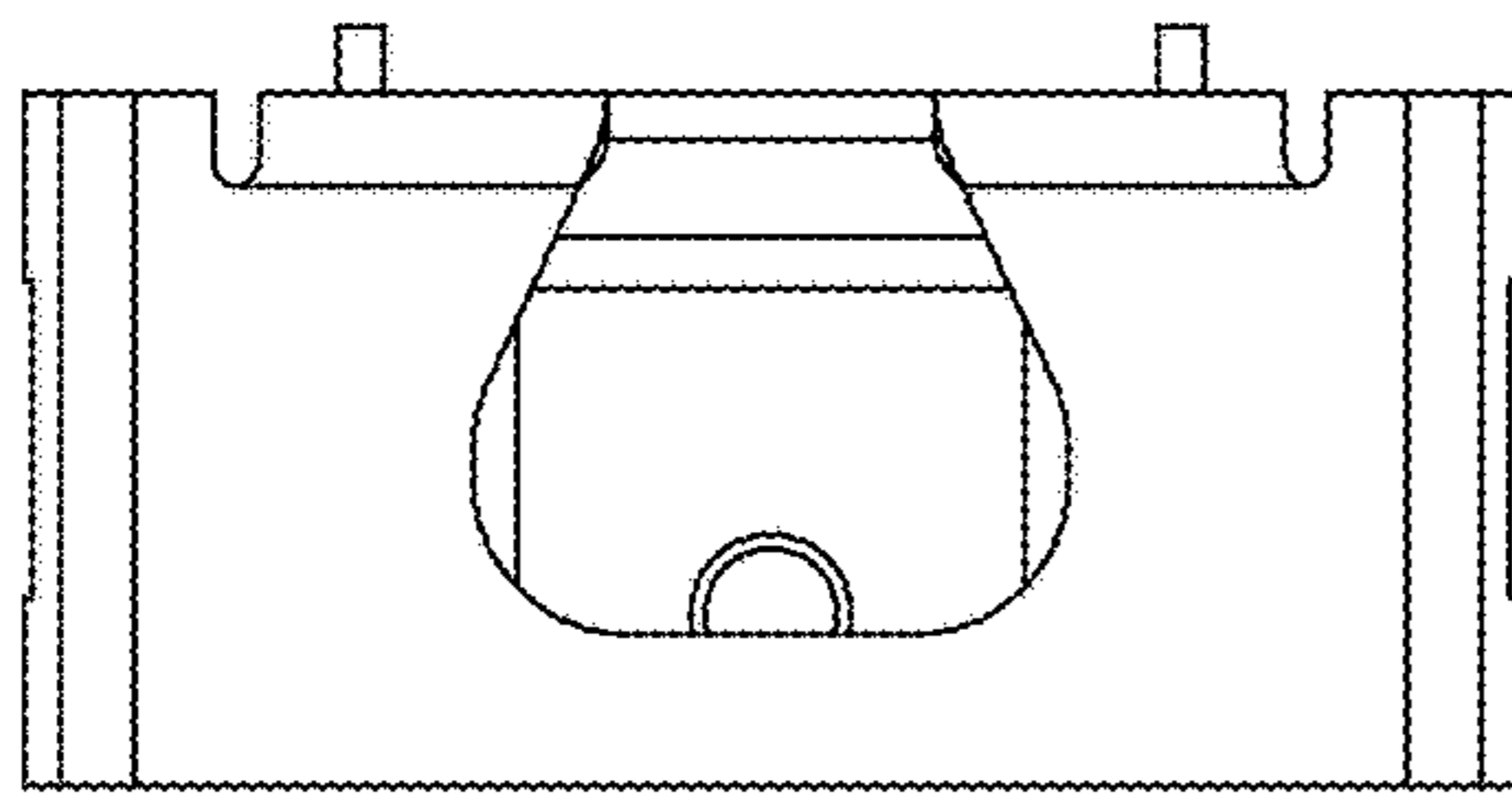


Fig. 5

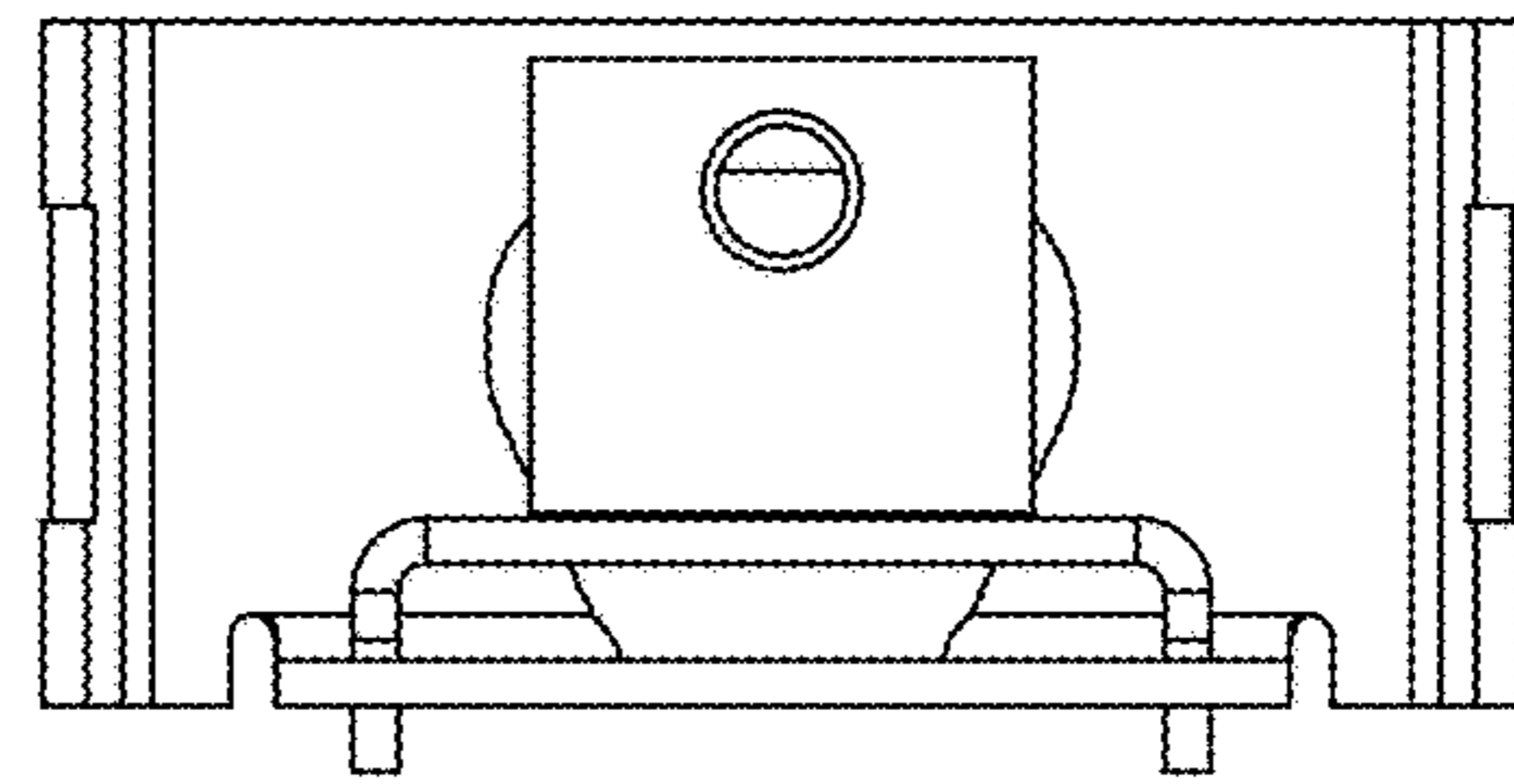


Fig. 6

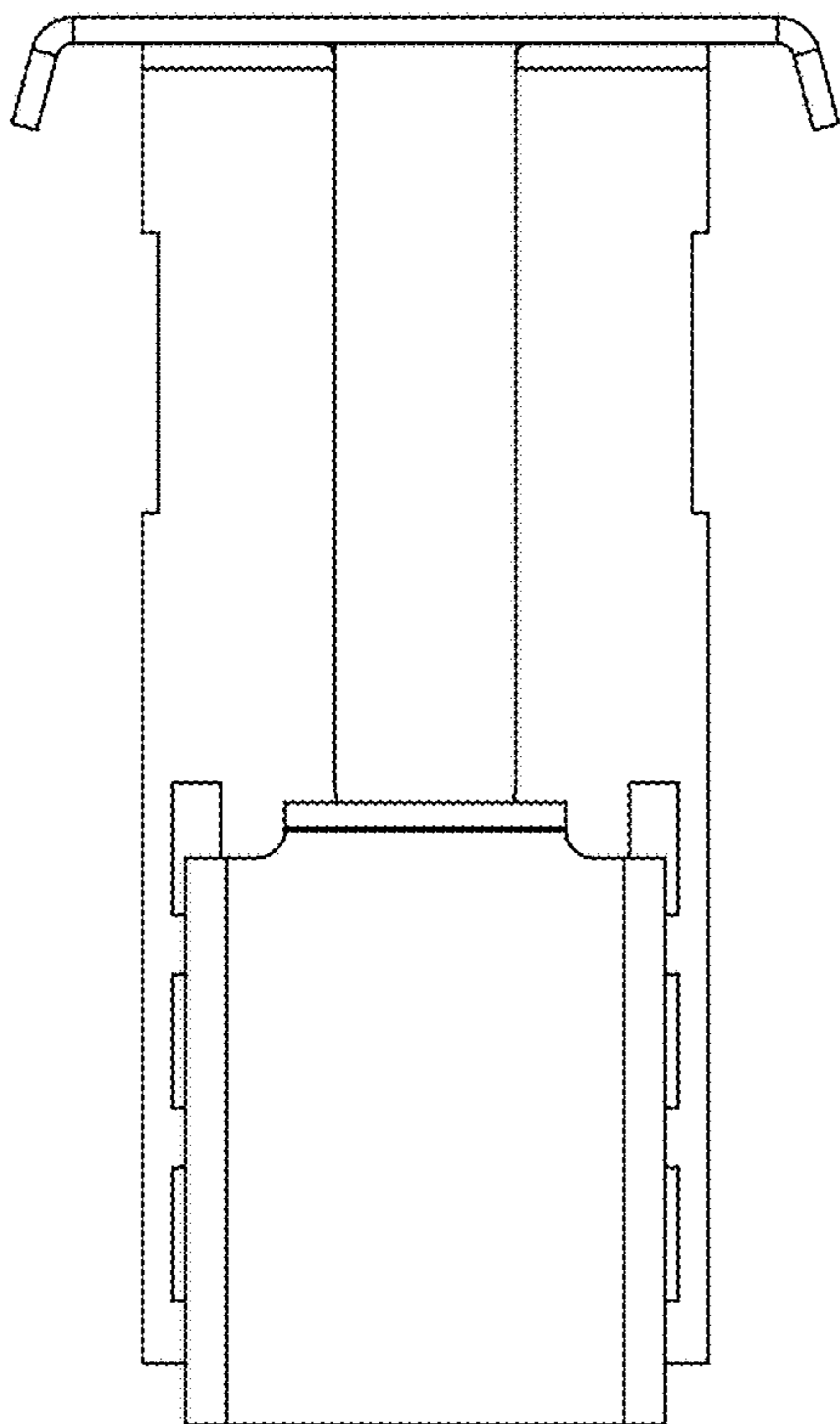


Fig. 7

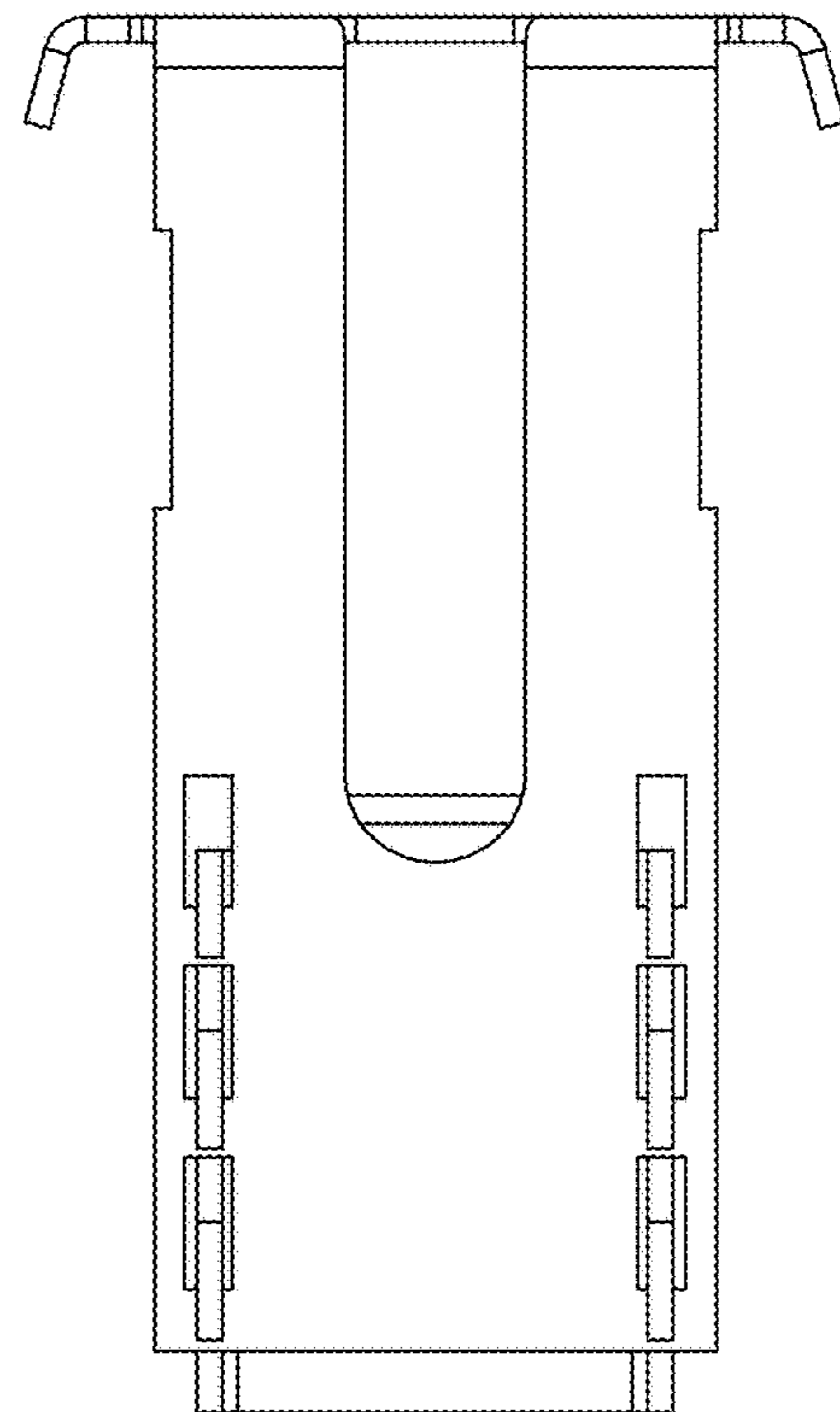


Fig. 8

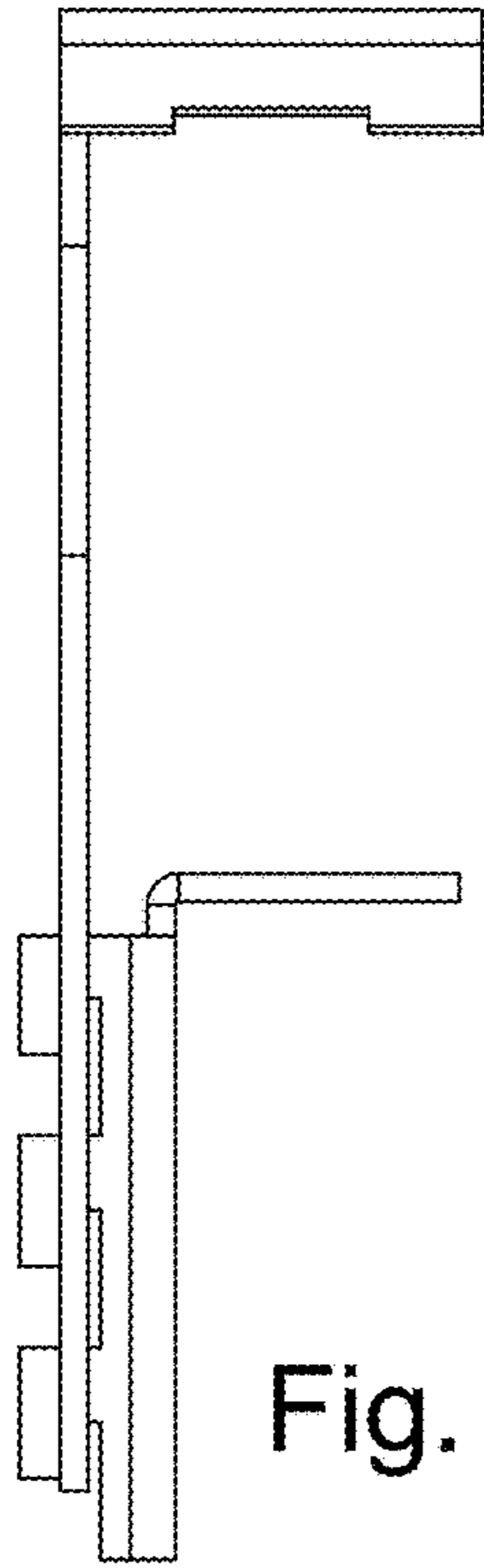


Fig. 9

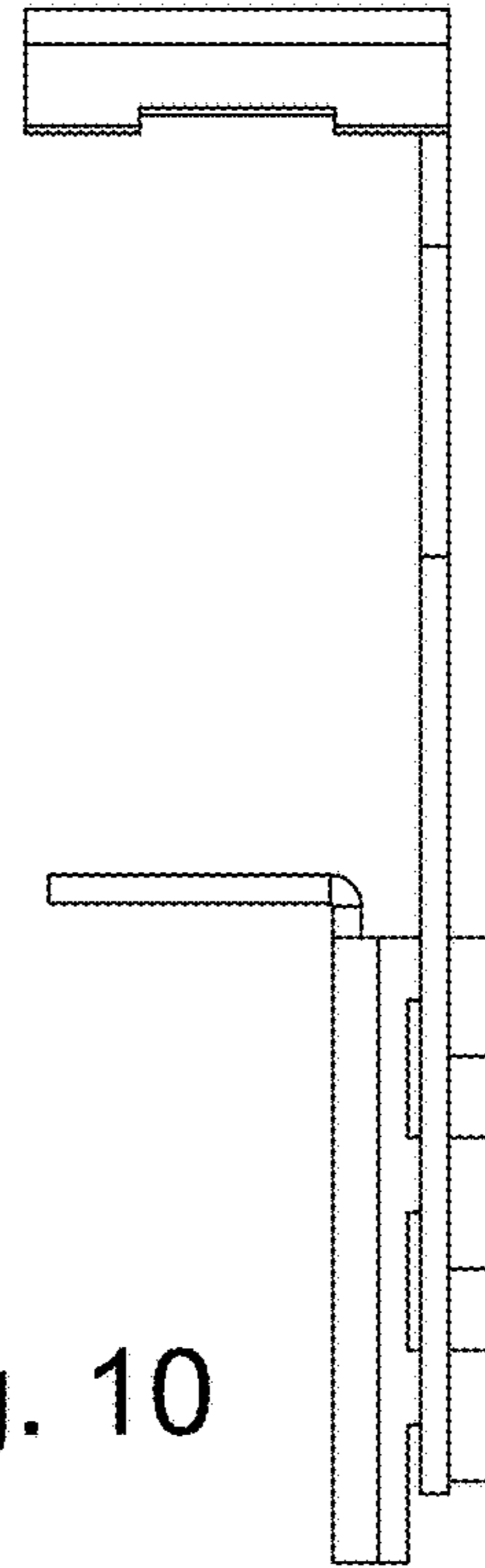


Fig. 10

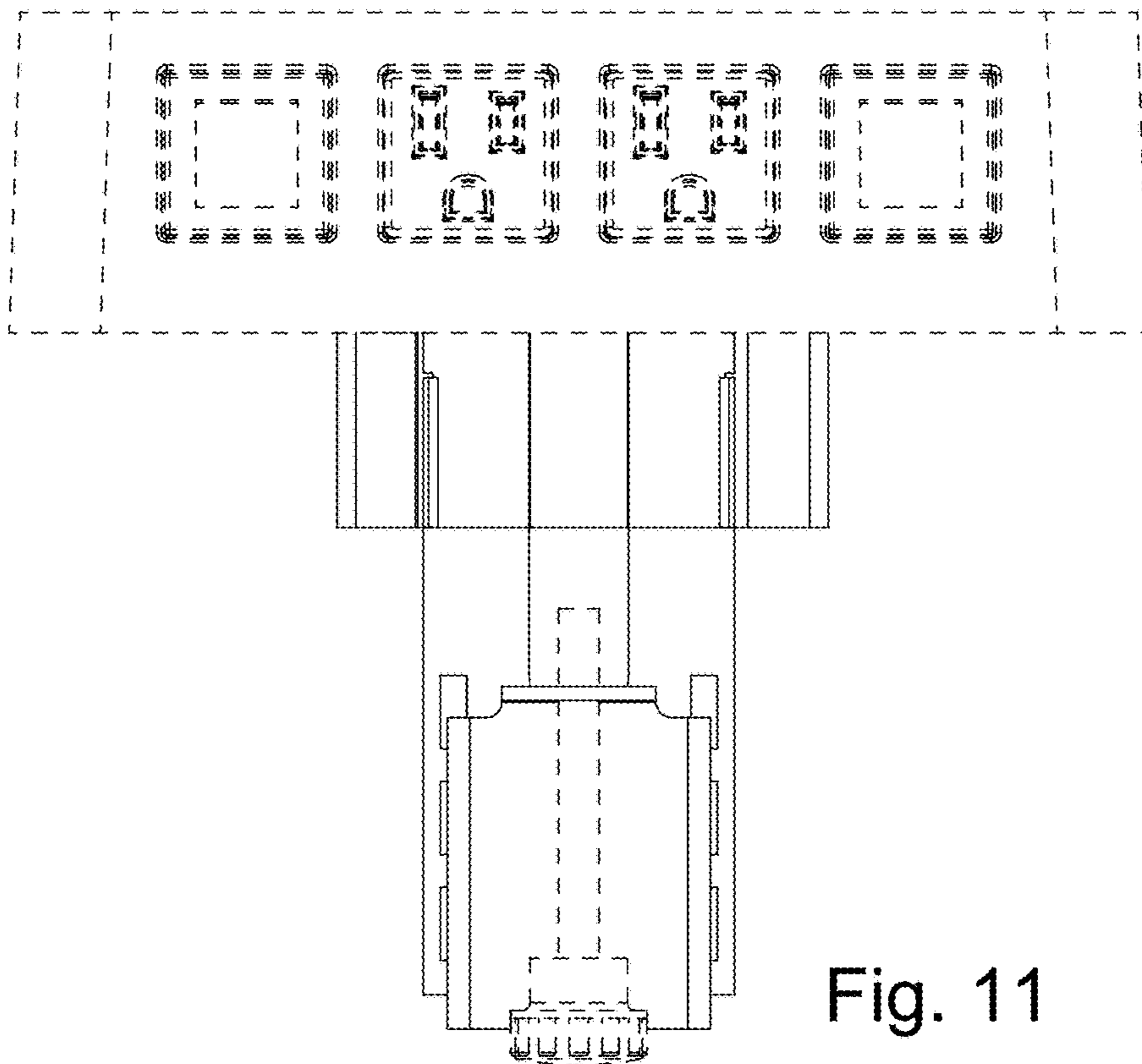


Fig. 11