



US00D827578S

(12) **United States Design Patent**
Brandt et al.

(10) **Patent No.:** **US D827,578 S**

(45) **Date of Patent:** **** Sep. 4, 2018**

(54) **CONDUCTOR**

(71) Applicant: **Eaton Corporation**, Cleveland, OH
(US)

(72) Inventors: **Douglas Michael Brandt**, Wampum,
PA (US); **Brad Robert Leccia**, Bethel
Park, PA (US); **Richard Blaine Frye**,
IV, Aliquippa, PA (US); **Zachary Ryan**
Jenkins, Pittsburgh, PA (US)

(73) Assignee: **EATON INTELLIGENT POWER**
LIMITED, Dublin (IE)

(**) Term: **15 Years**

(21) Appl. No.: **29/613,609**

(22) Filed: **Aug. 11, 2017**

(51) **LOC (11) Cl.** **13-03**

(52) **U.S. Cl.**

USPC **D13/133**

(58) **Field of Classification Search**

USPC D13/110, 112, 118, 120, 122, 123, 133,
D13/146, 147, 154, 173, 184, 199

CPC .. H01H 33/66; H01H 33/6606; H01H 33/664;
H01H 71/02; H01H 71/0235; H01H
71/08; H01H 3/00; H01H 9/30; H01H
31/00; H01H 31/02; H01H 31/28; H01H
47/00; H01H 77/00

See application file for complete search history.

(56) **References Cited**

U.S. PATENT DOCUMENTS

D419,525 S * 1/2000 Arai D13/147
D444,129 S * 6/2001 Arai D13/147

D445,092 S * 7/2001 Lee D13/146
D445,402 S * 7/2001 Arai D13/147
D524,741 S * 7/2006 Bihrer D13/146
D525,202 S * 7/2006 Bihrer D13/146
D795,809 S * 8/2017 Brandt D13/133
9,767,978 B1 * 9/2017 Brandt H01H 71/0235
D801,930 S * 11/2017 Brandt D13/133
2017/0338071 A1 * 11/2017 Brandt H01H 33/664

* cited by examiner

Primary Examiner — Thomas J Johannes

Assistant Examiner — Shawn T Gingrich

(74) *Attorney, Agent, or Firm* — Eckert Seamans

(57) **CLAIM**

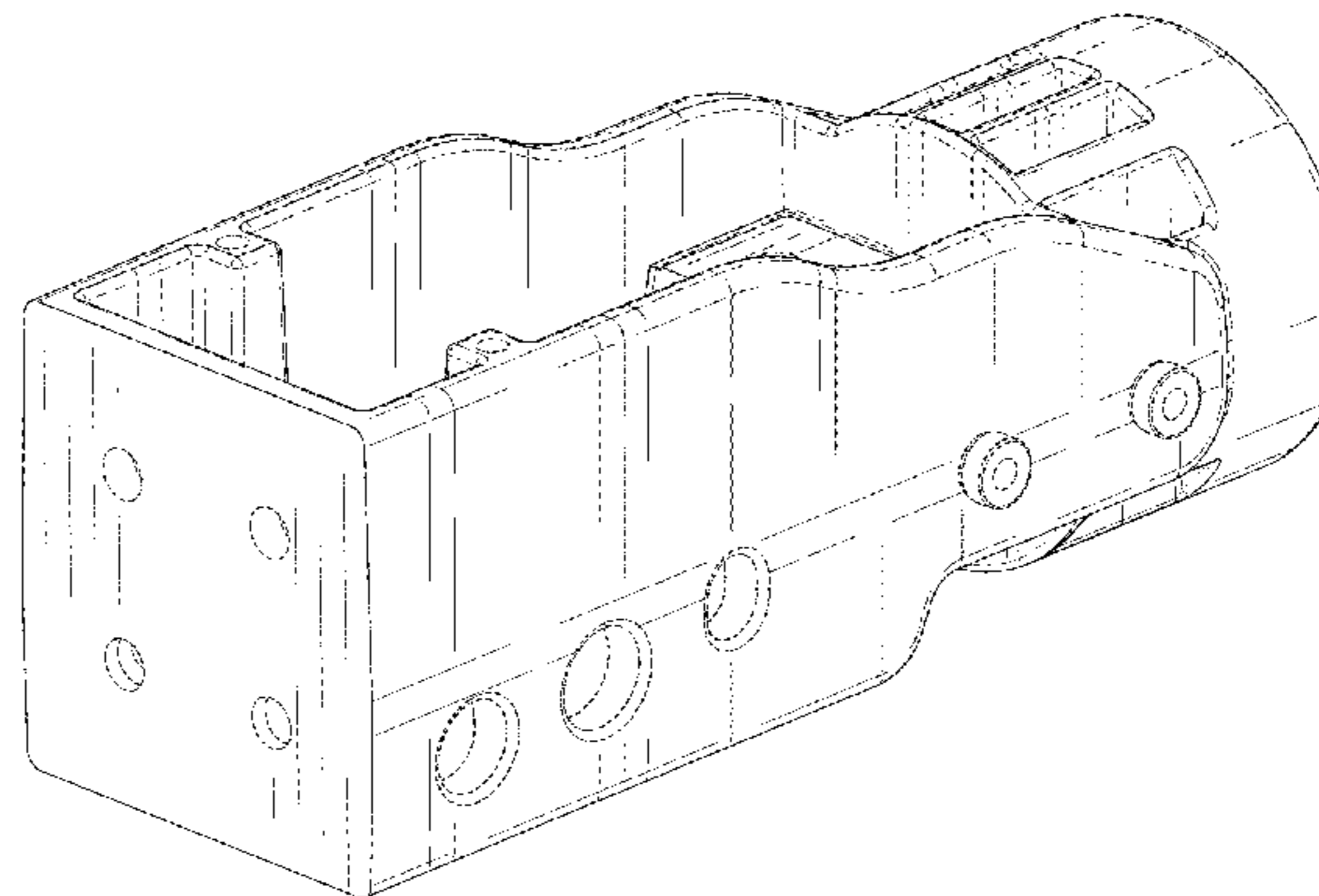
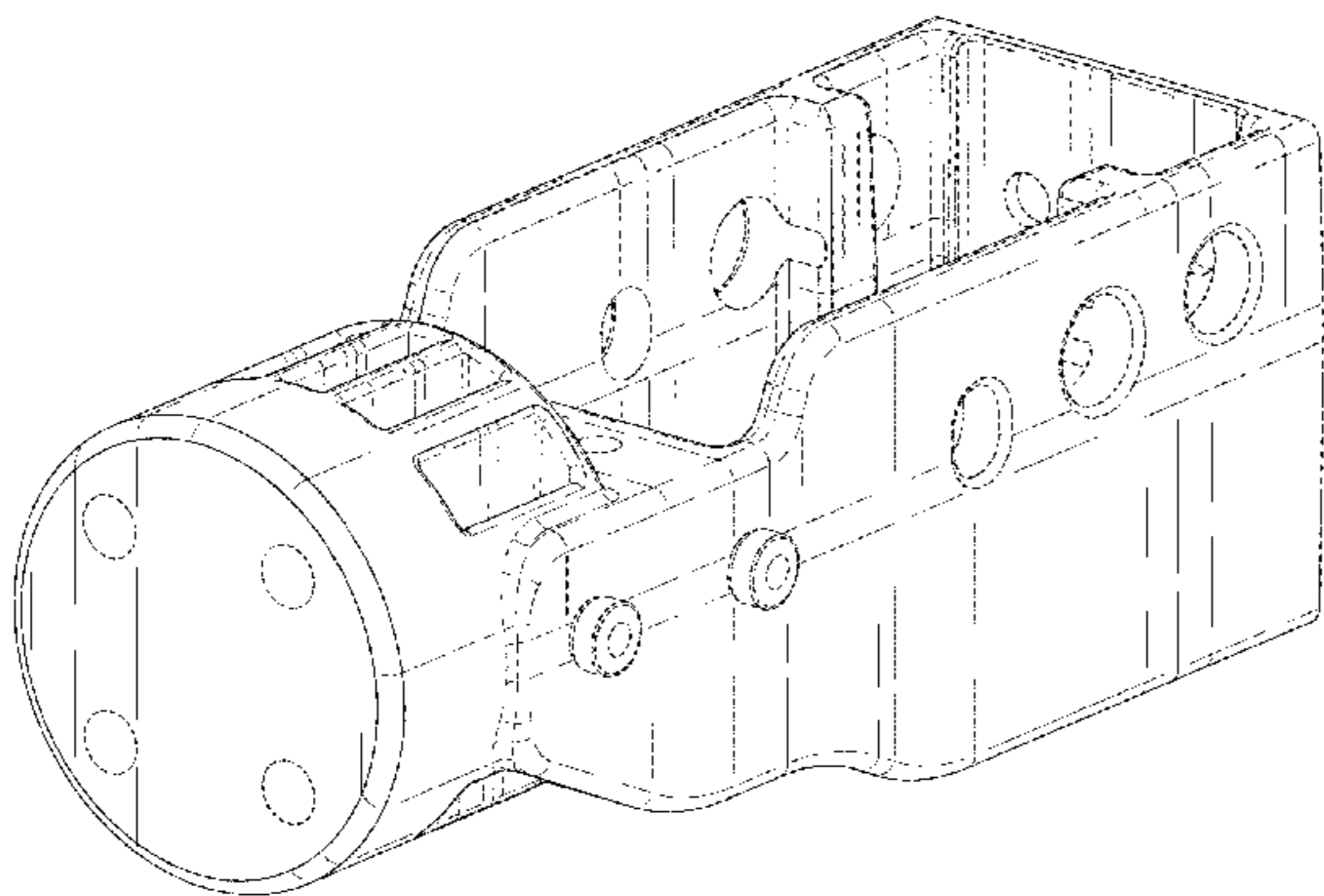
The ornamental design for a conductor, as shown and described.

DESCRIPTION

FIG. 1 is an isometric view of the conductor;
FIG. 2 is another isometric view of the conductor;
FIG. 3 is a top view of the conductor;
FIG. 4 is a bottom view of the conductor;
FIG. 5 is a left view of the conductor;
FIG. 6 is a right view of the conductor;
FIG. 7 is a front view of the conductor;
FIG. 8 is a back view of the conductor; and,
FIG. 9 is cross-sectional view, taken along line 9-9 on FIG. 8, of the conductor.

The broken lines shown represent unclaimed subject matter and form no part of the claimed subject matter.

1 Claim, 8 Drawing Sheets



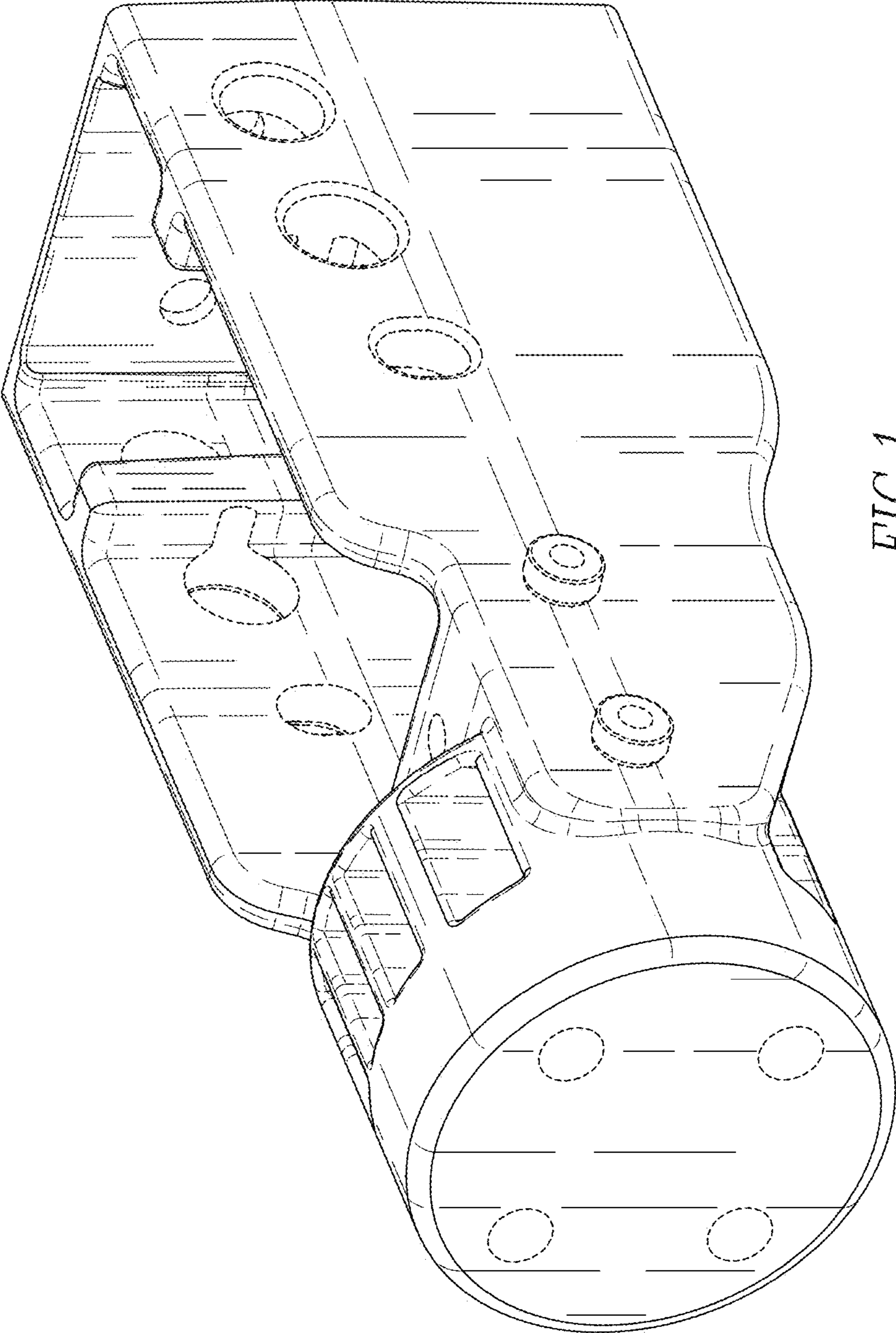


FIG. 1

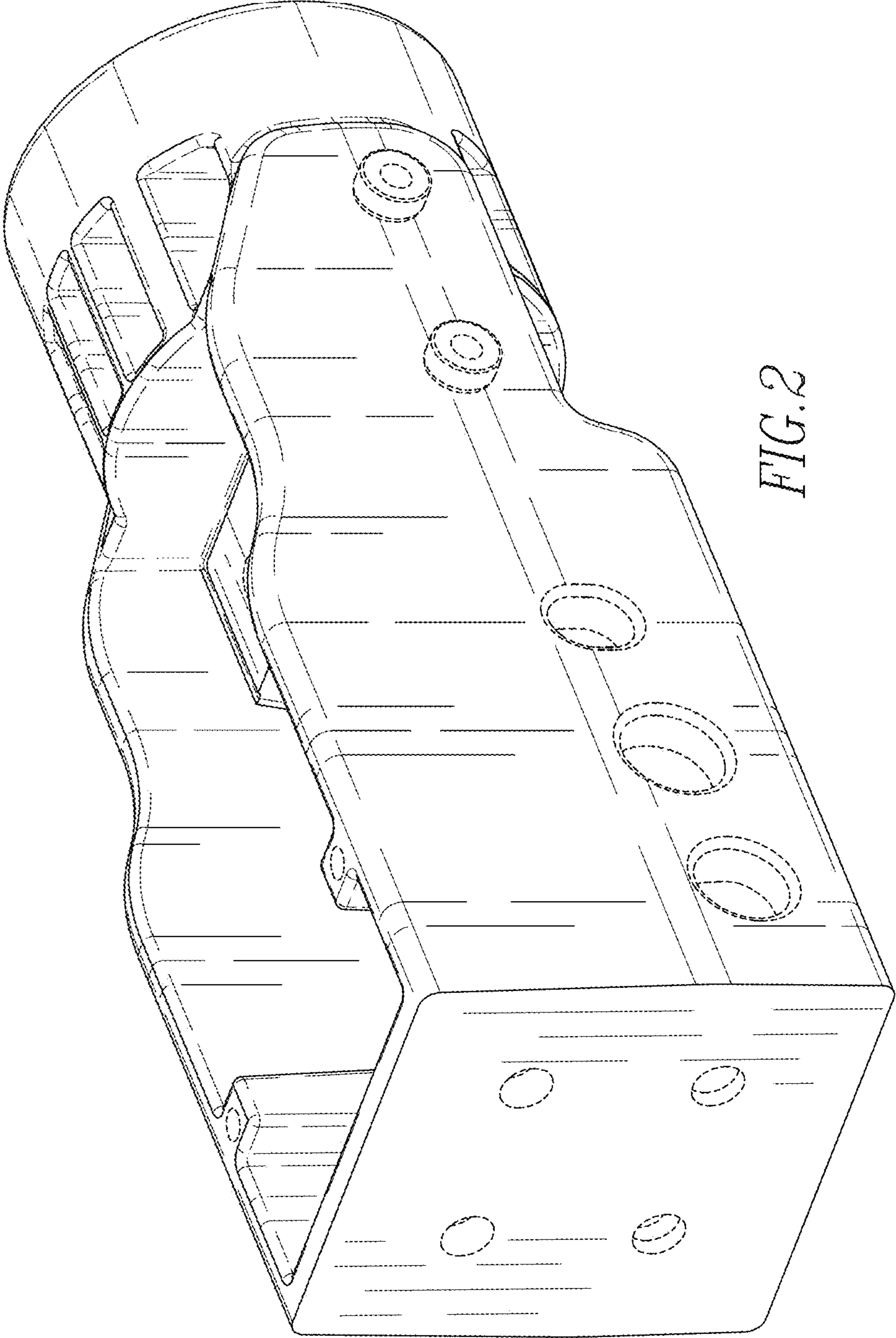


FIG. 2

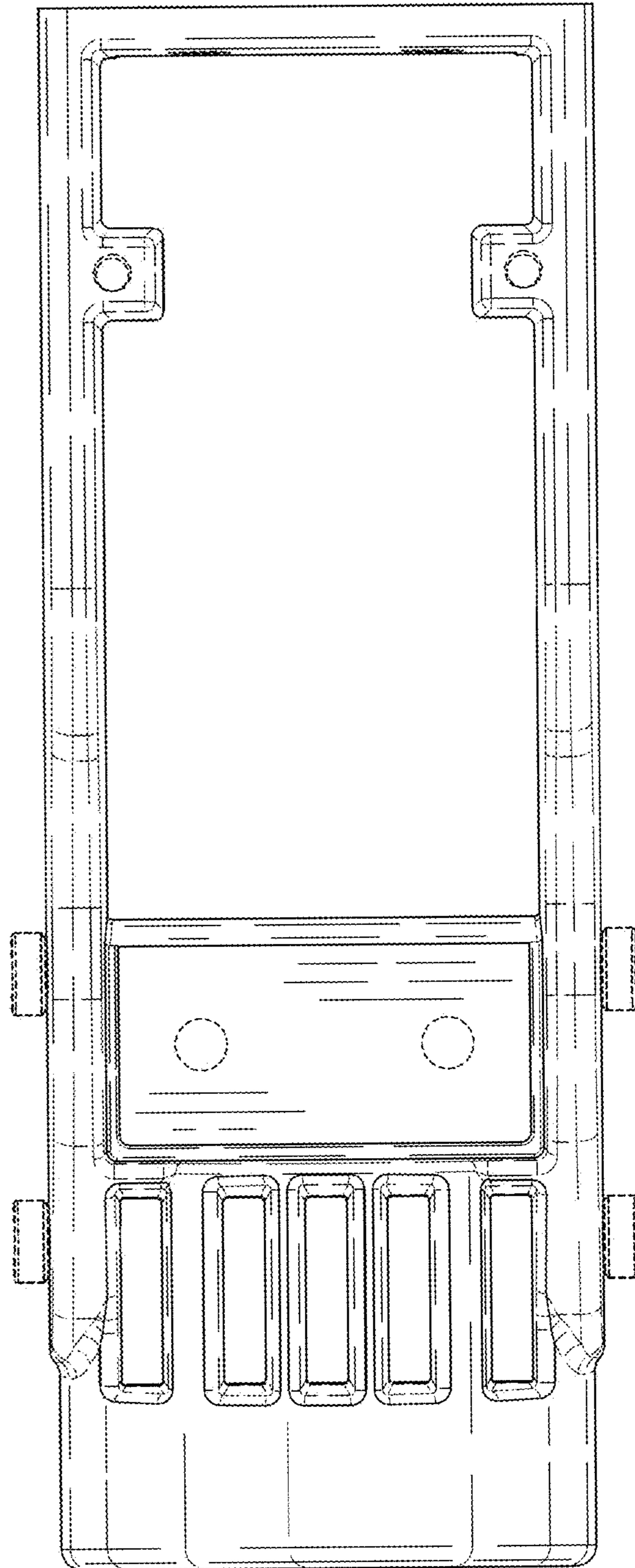


FIG. 3

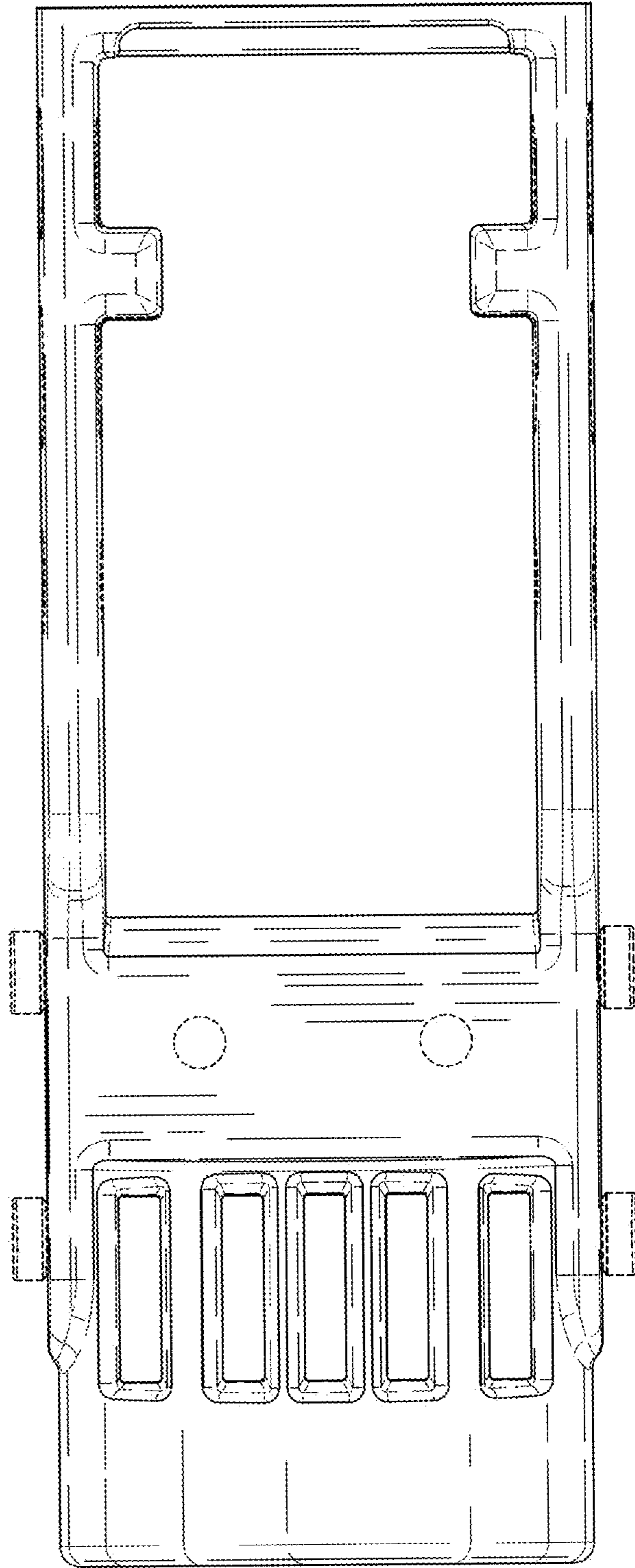


FIG. 4

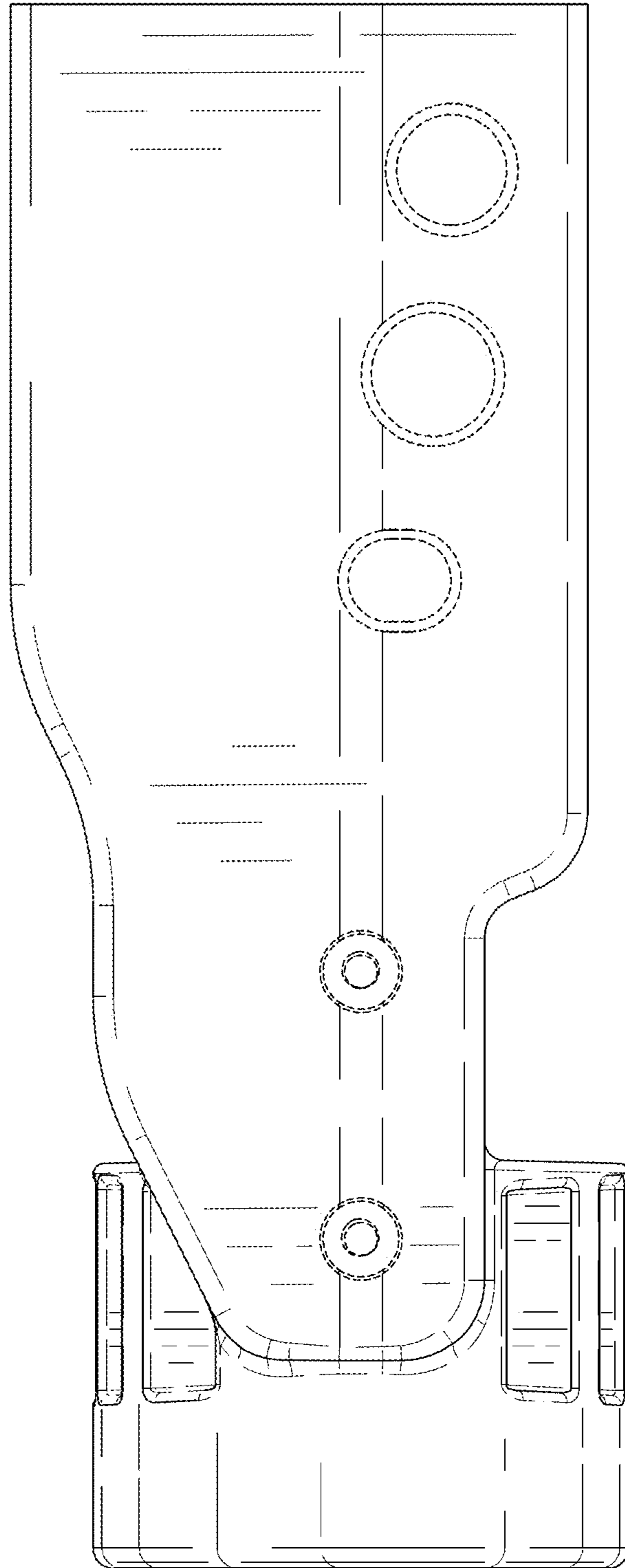


FIG. 5

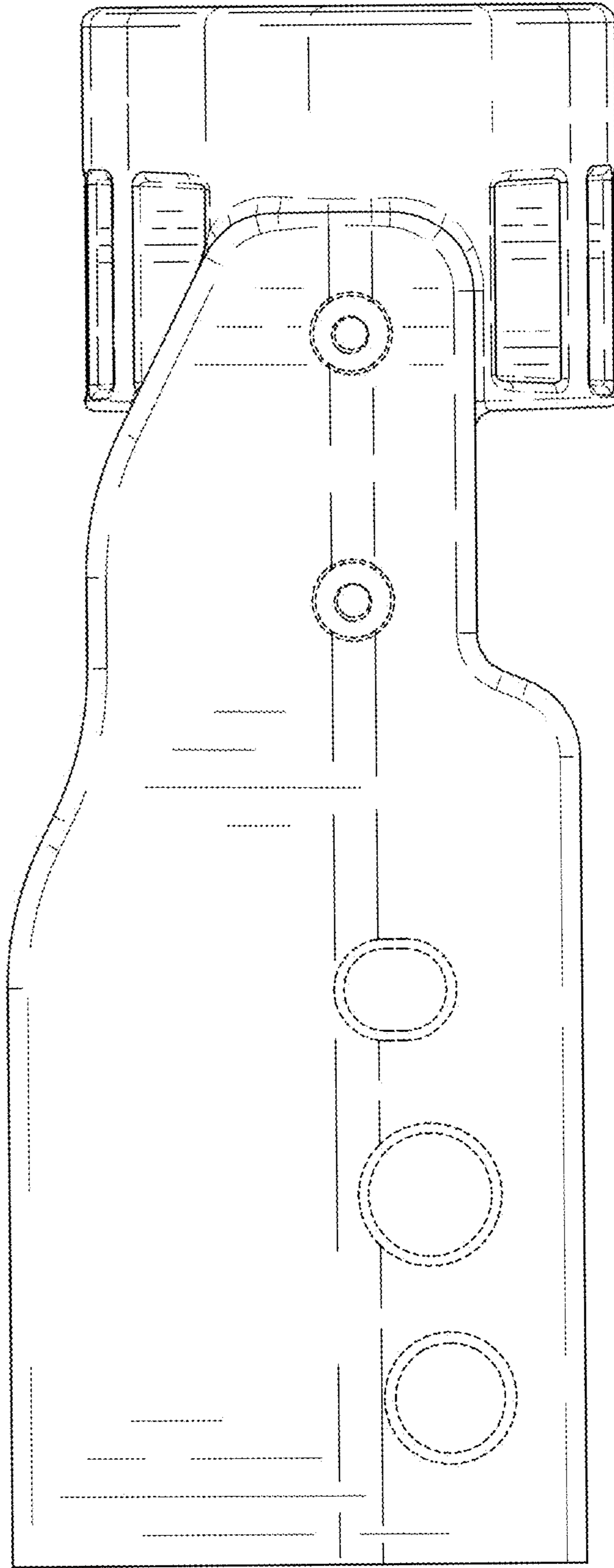


FIG. 6

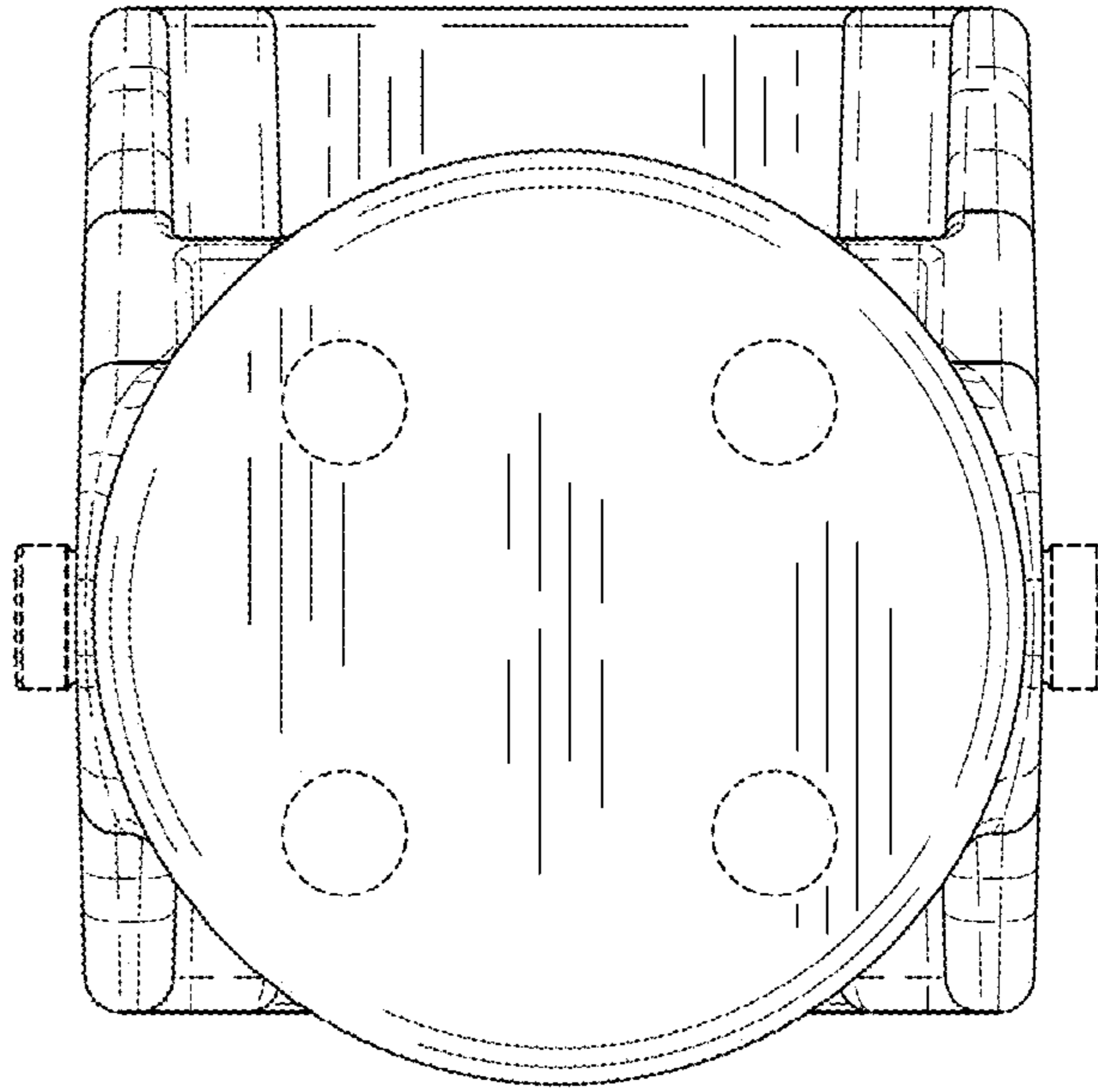


FIG. 7

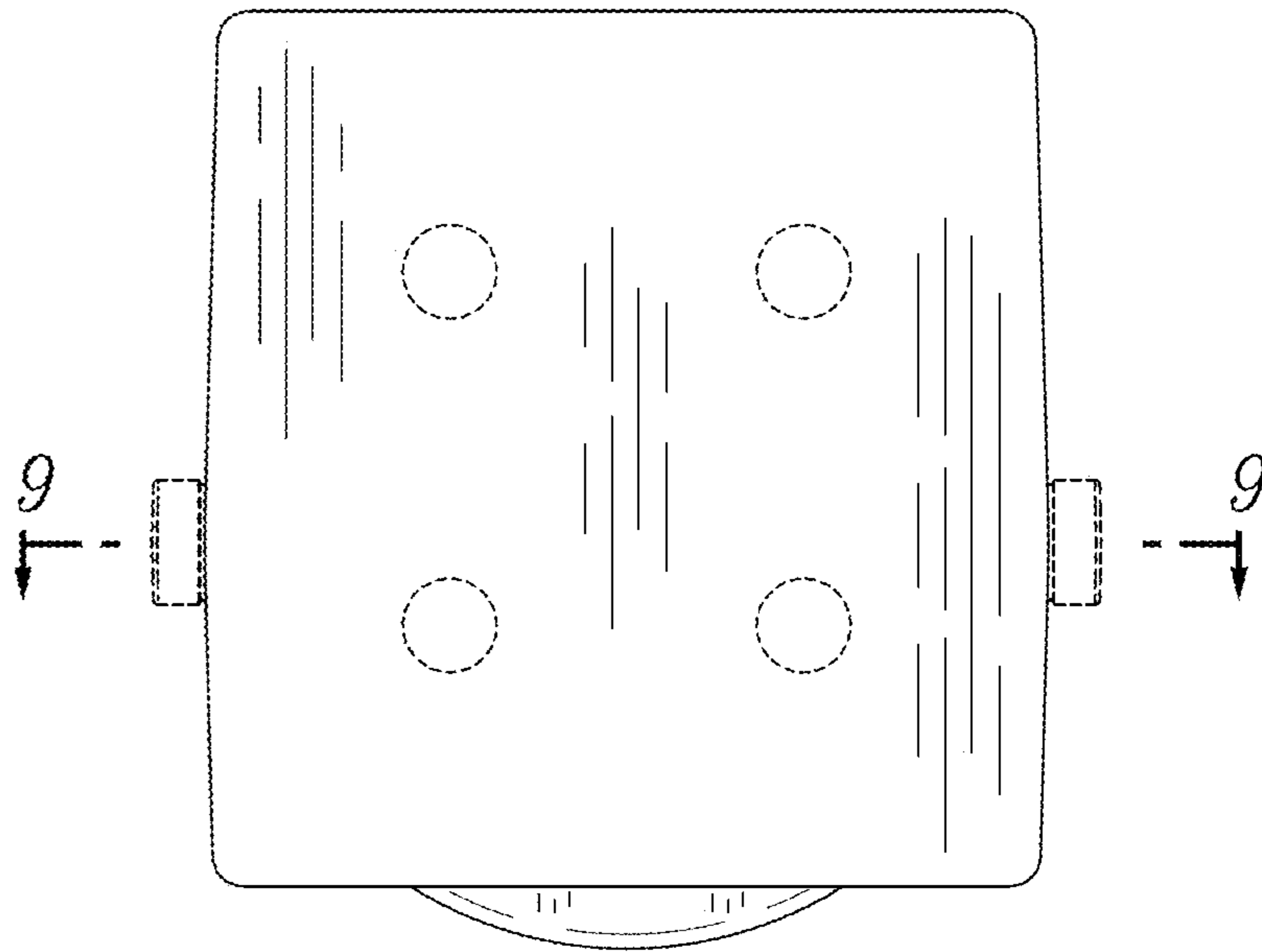


FIG. 8

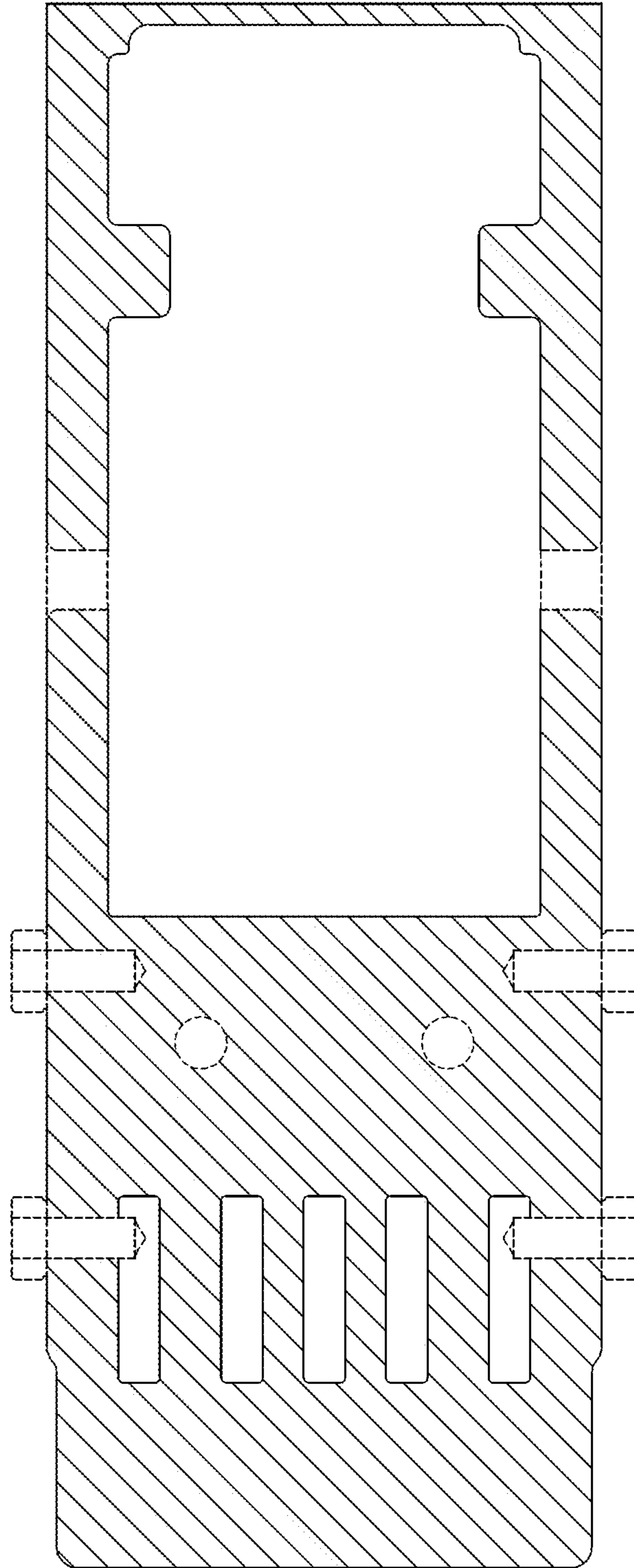


FIG. 9