



US00D827577S

(12) **United States Design Patent** (10) **Patent No.:** **US D827,577 S**  
**Brandt et al.** (45) **Date of Patent:** **\*\* Sep. 4, 2018**

(54) **CONDUCTOR**

(71) Applicant: **Eaton Corporation**, Cleveland, OH (US)

(72) Inventors: **Douglas Michael Brandt**, Wampum, PA (US); **Brad Robert Leccia**, Bethel Park, PA (US); **Richard Blaine Frye, IV**, Aliquippa, PA (US); **Zachary Ryan Jenkins**, Pittsburgh, PA (US)

(73) Assignee: **EATON INTELLIGENT POWER LIMITED**, Dublin (IE)

(\*\*) Term: **15 Years**

(21) Appl. No.: **29/613,604**

(22) Filed: **Aug. 11, 2017**

(51) **LOC (11) Cl.** ..... **13-03**

(52) **U.S. Cl.**  
USPC ..... **D13/133**

(58) **Field of Classification Search**  
USPC ..... D13/110, 112, 118, 120, 122, 123, 133, D13/146, 147, 154, 173, 184, 199  
CPC .. H01H 33/66; H01H 33/6606; H01H 33/664; H01H 71/02; H01H 71/0235; H01H 71/08; H01H 3/00; H01H 9/30; H01H 31/00; H01H 31/02; H01H 31/28; H01H 47/00; H01H 77/00

See application file for complete search history.

(56) **References Cited**

**U.S. PATENT DOCUMENTS**

D419,525 S \* 1/2000 Arai ..... D13/147  
D444,129 S \* 6/2001 Arai ..... D13/147

D445,092 S \* 7/2001 Lee ..... D13/146  
D445,402 S \* 7/2001 Arai ..... D13/147  
D524,741 S \* 7/2006 Bihrer ..... D13/146  
D525,202 S \* 7/2006 Bihrer ..... D13/146  
D795,809 S \* 8/2017 Brandt ..... D13/133  
9,767,978 B1 \* 9/2017 Brandt ..... H01H 71/0235  
D801,930 S \* 11/2017 Brandt ..... D13/133  
2017/0338071 A1 \* 11/2017 Brandt ..... H01H 33/664

\* cited by examiner

*Primary Examiner* — Thomas J Johannes

*Assistant Examiner* — Shawn T Gingrich

(74) *Attorney, Agent, or Firm* — Eckert Seamans

(57) **CLAIM**

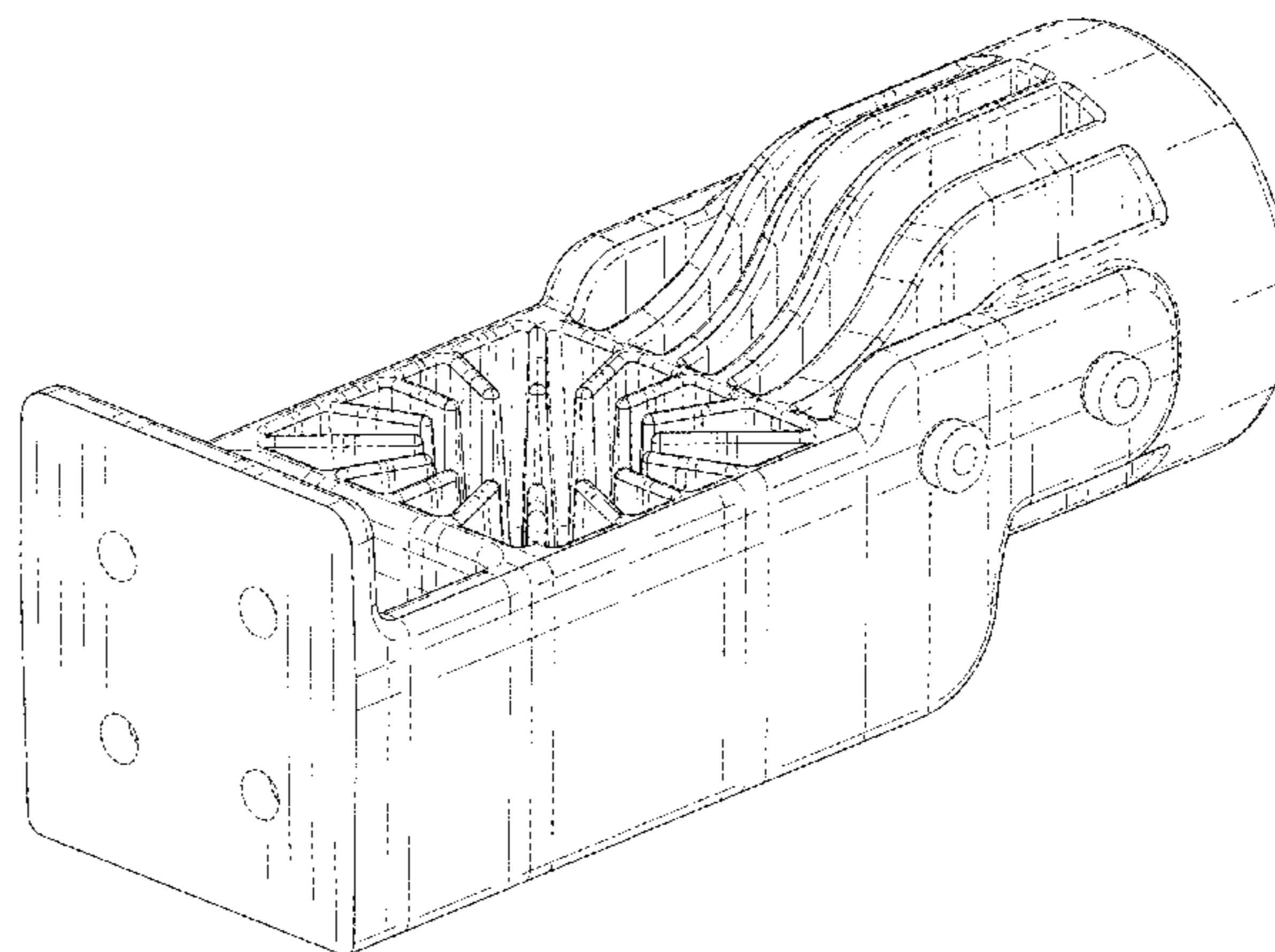
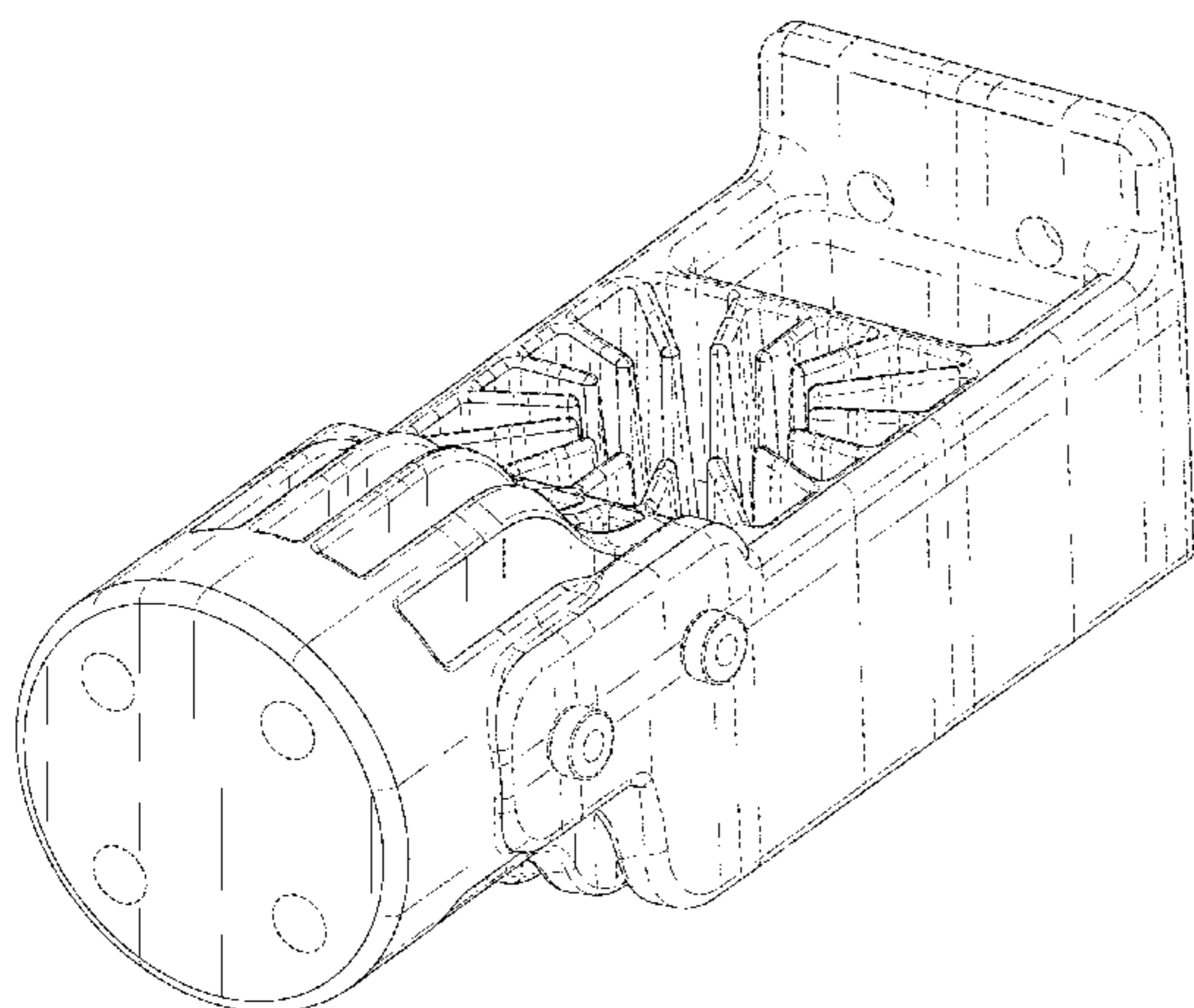
The ornamental design for a conductor, as shown and described.

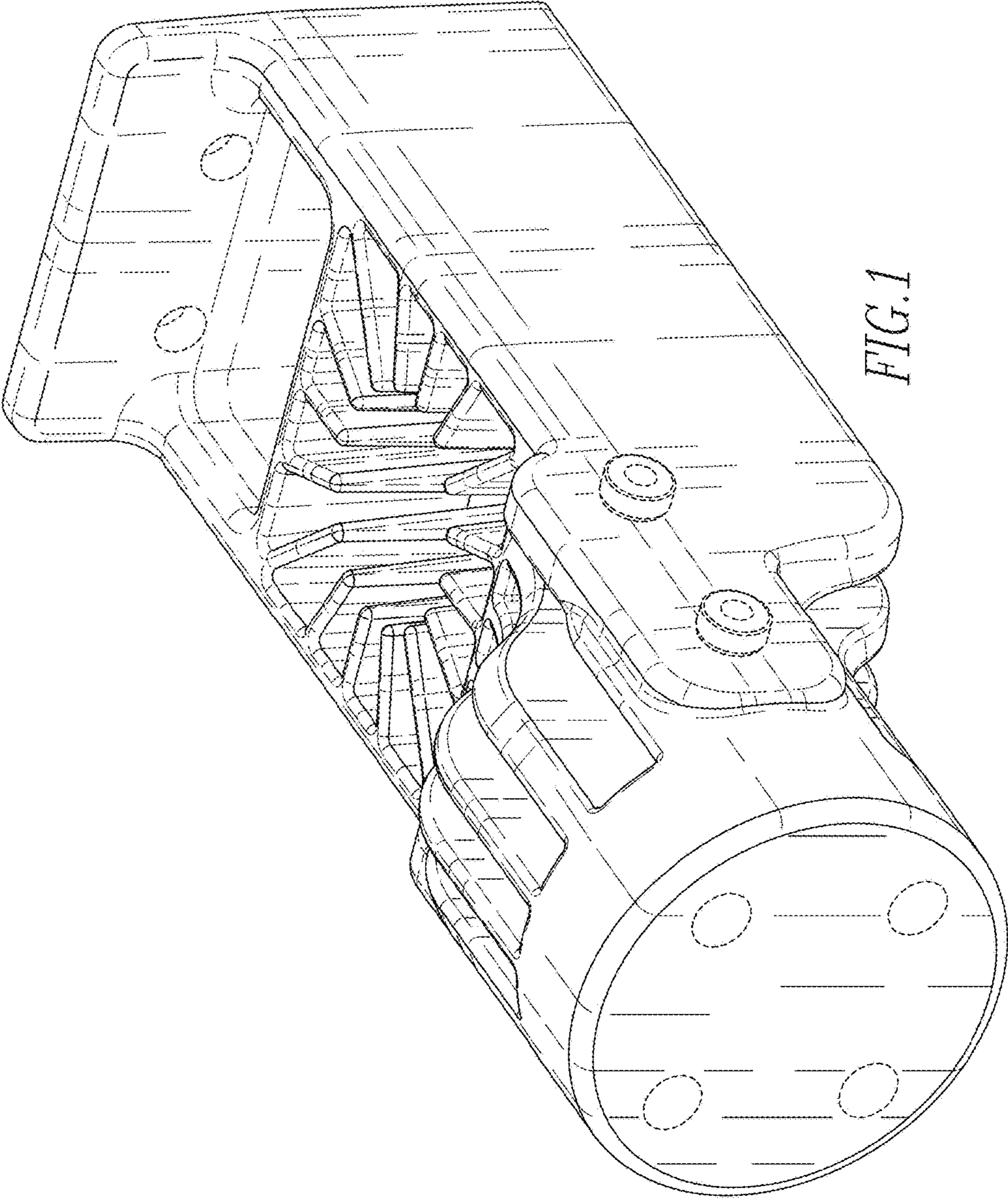
**DESCRIPTION**

FIG. 1 is an isometric view of the conductor;  
FIG. 2 is another isometric view of the conductor;  
FIG. 3 is a top view of the conductor;  
FIG. 4 is a bottom view of the conductor;  
FIG. 5 is a left view of the conductor;  
FIG. 6 is a right view of the conductor;  
FIG. 7 is a front view of the conductor;  
FIG. 8 is a back view of the conductor; and,  
FIG. 9 is a cross-sectional view, taken along line 9-9 on FIG. 8, of the conductor.

The broken lines shown represent unclaimed subject matter and form no part of the claimed subject matter.

**1 Claim, 8 Drawing Sheets**





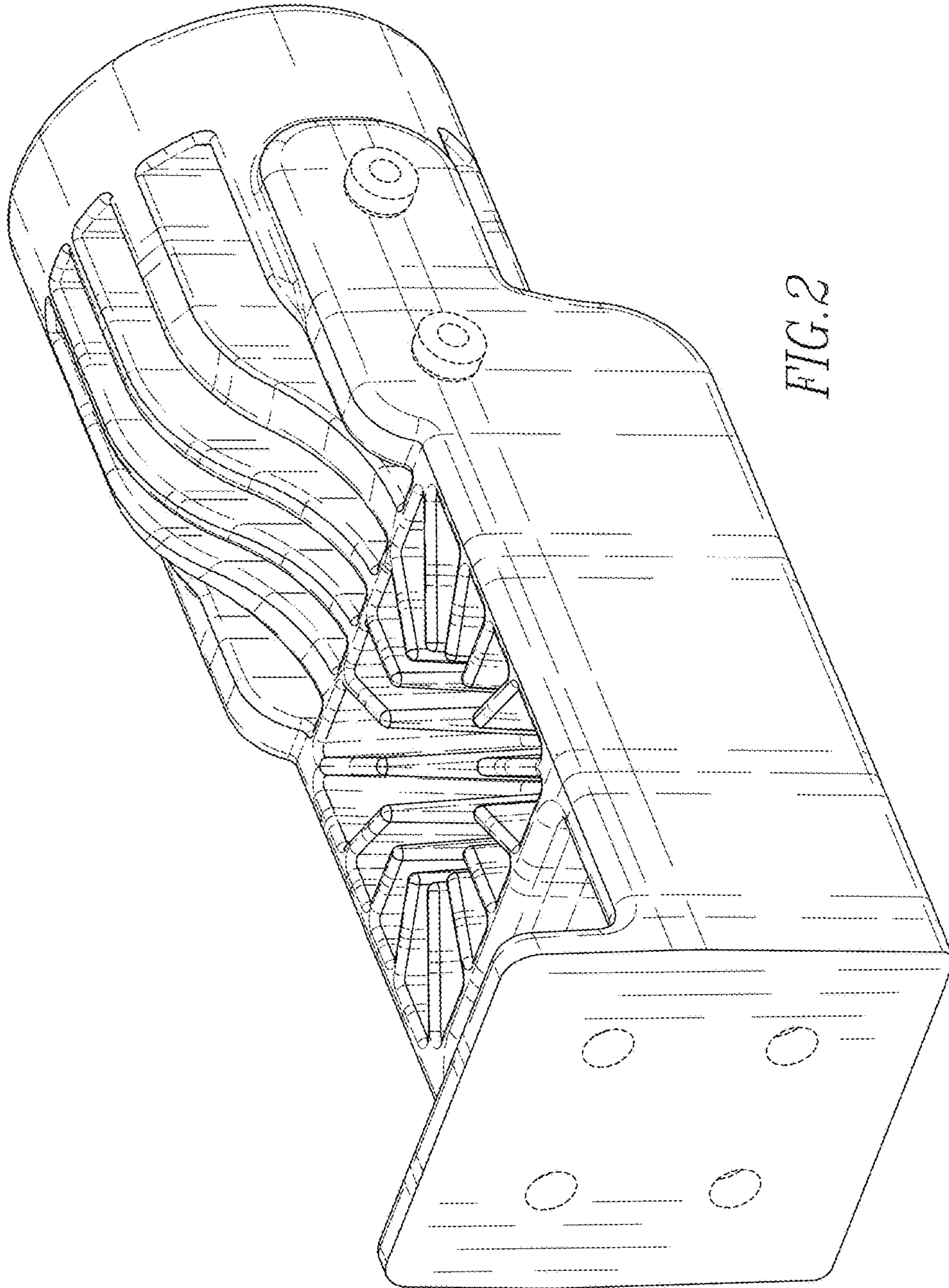


FIG. 2

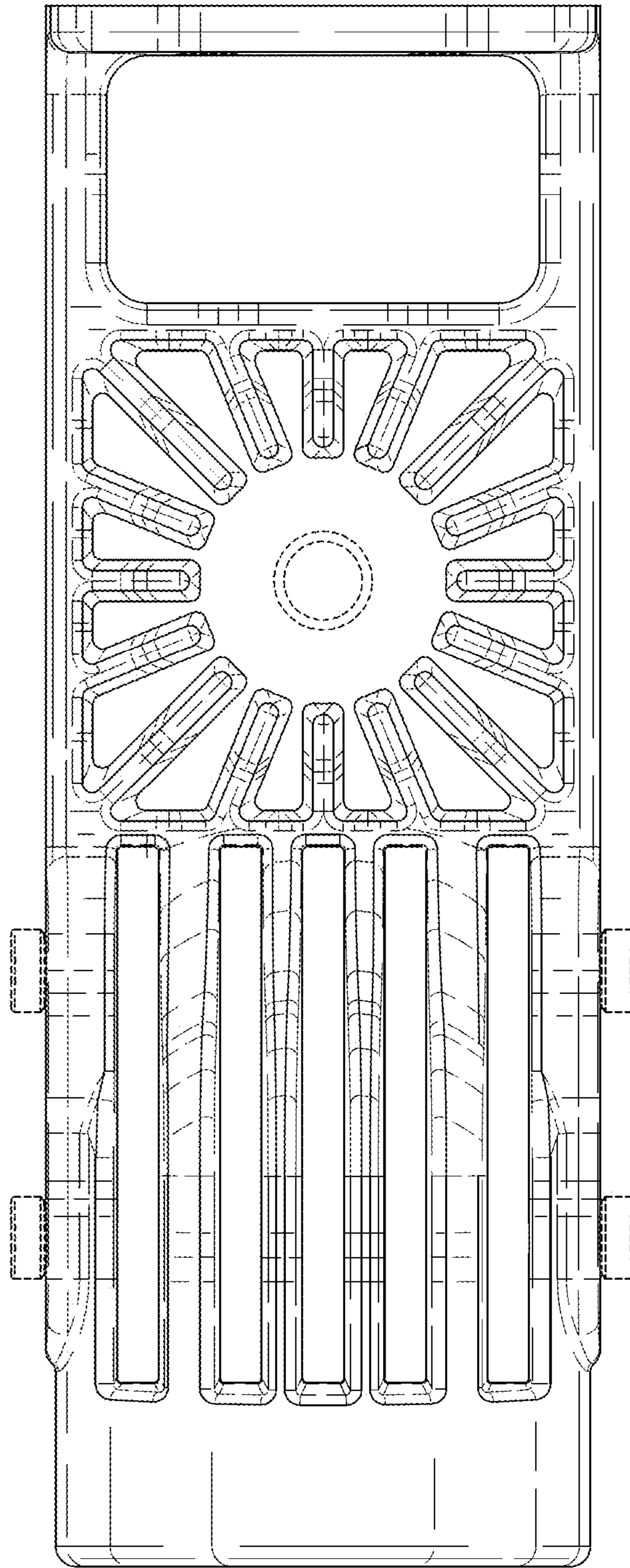


FIG. 3

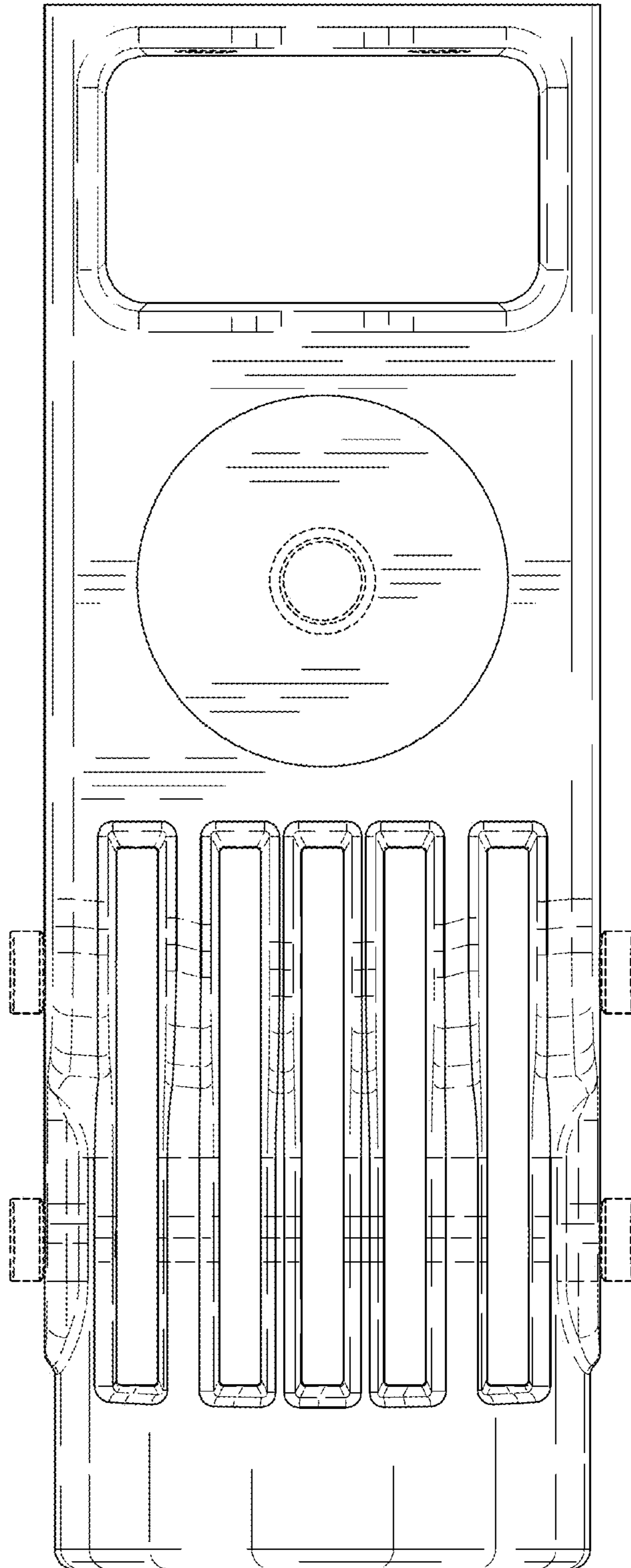


FIG. 4

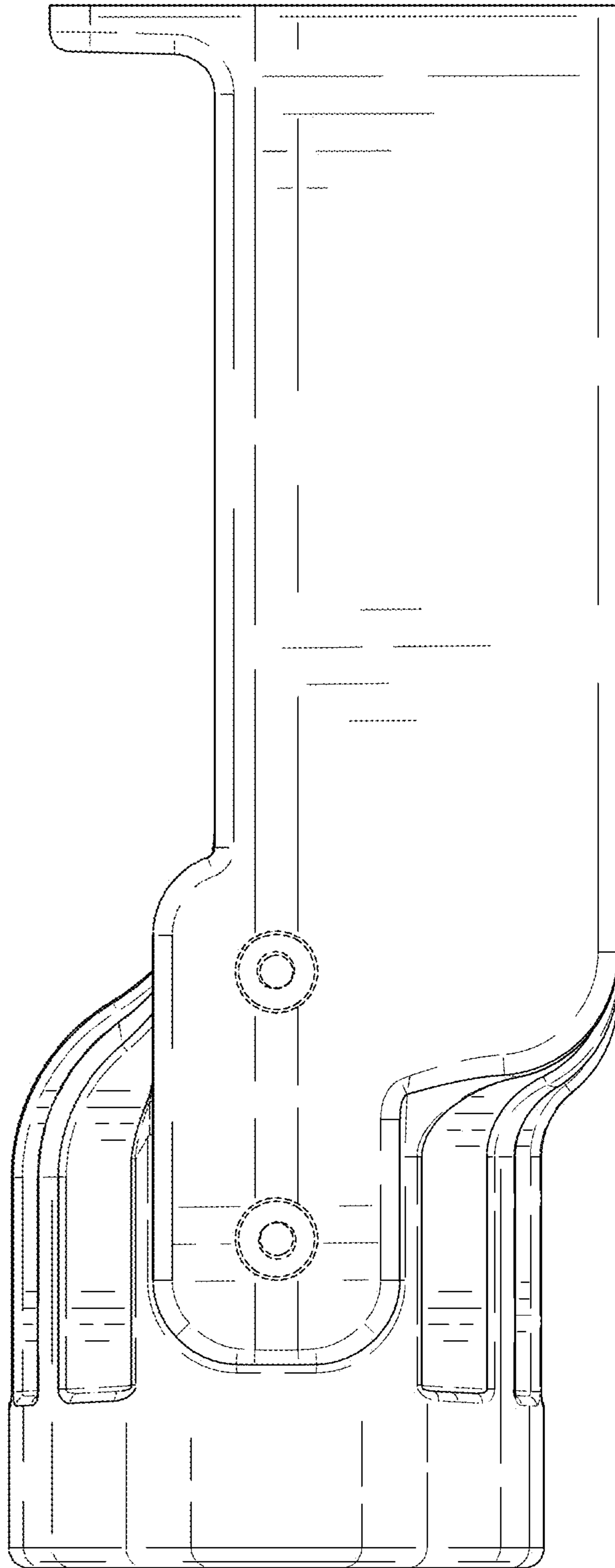


FIG. 5

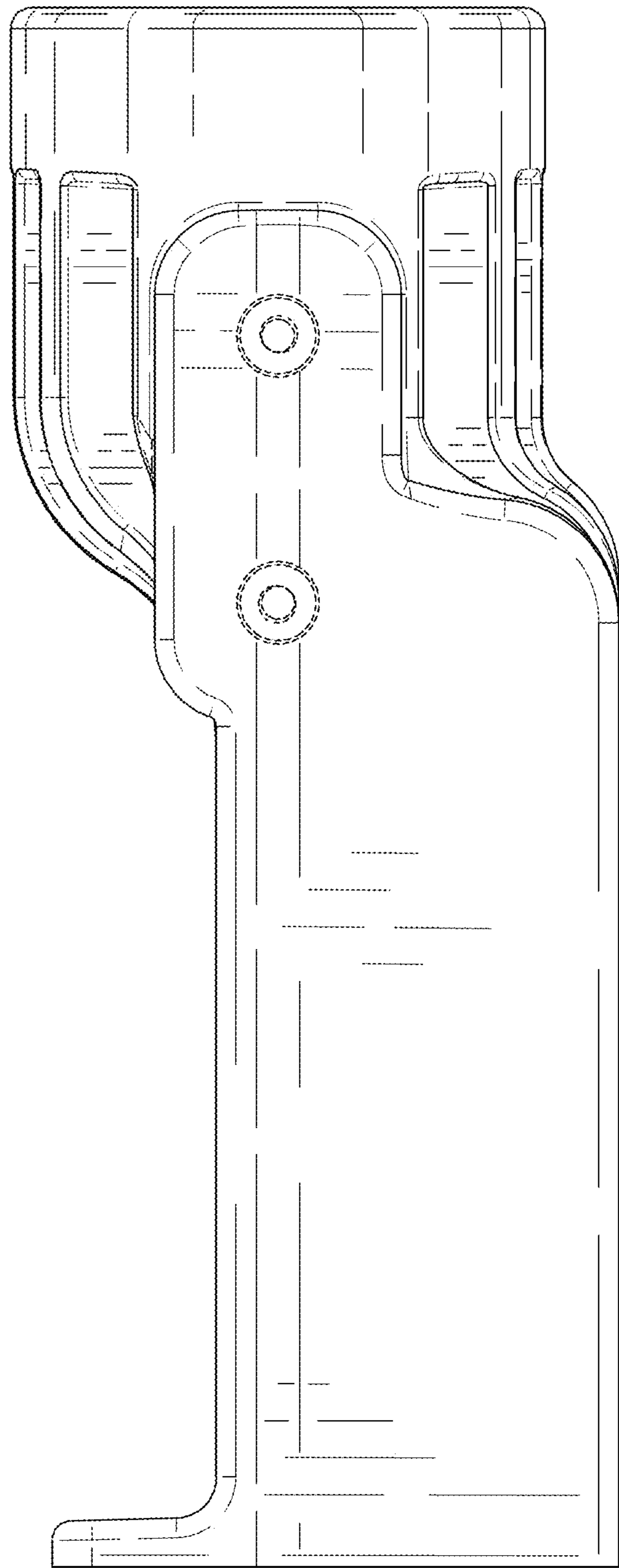


FIG. 6

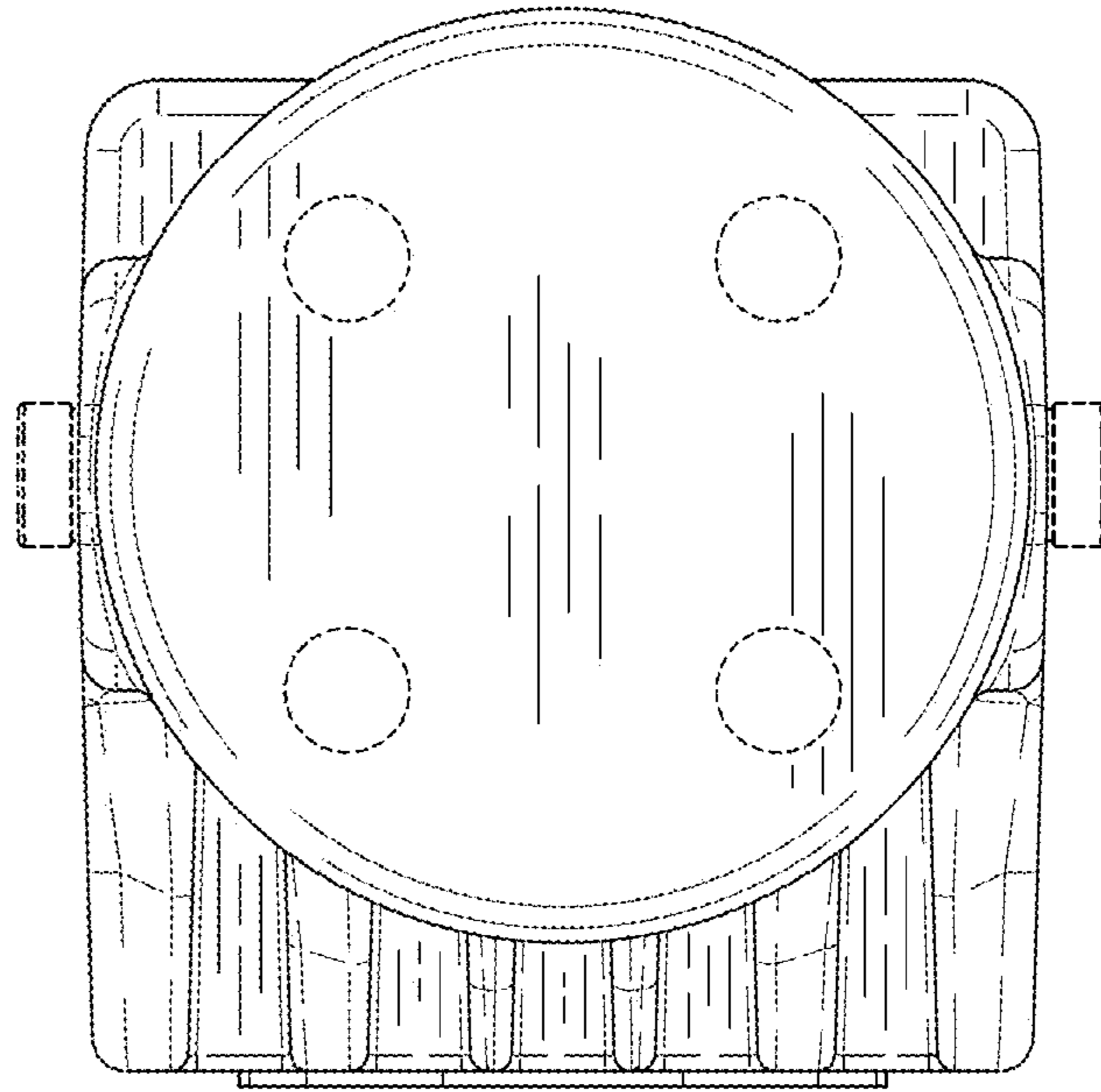


FIG. 7

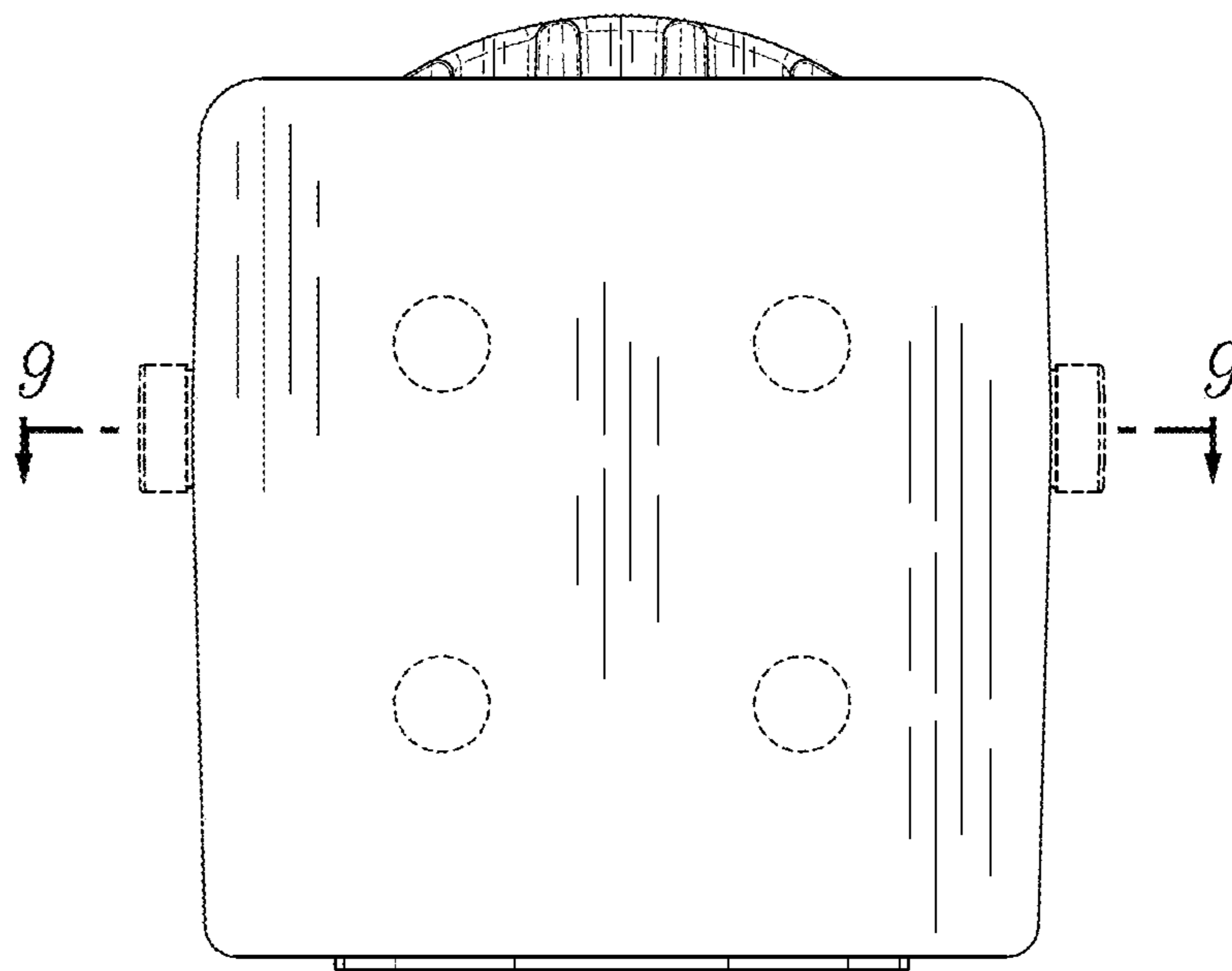


FIG. 8



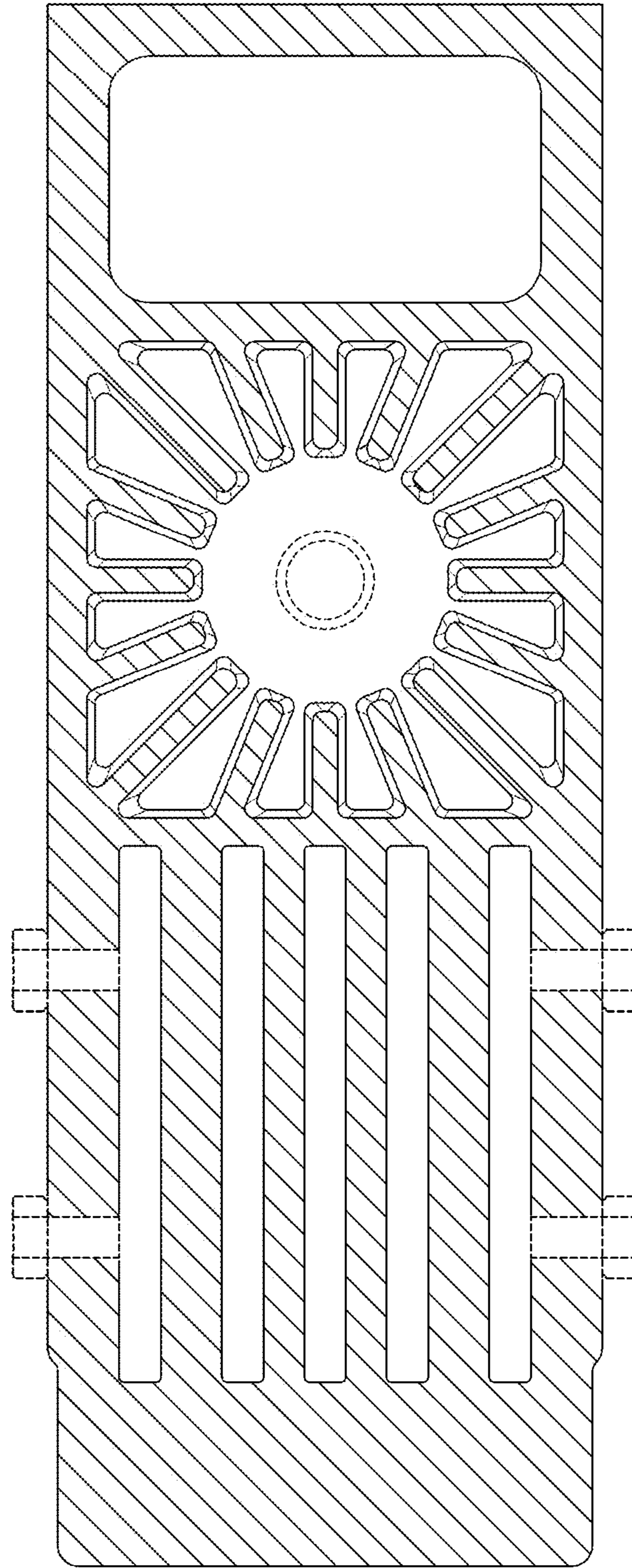


FIG. 9