



US00D827576S

(12) **United States Design Patent** (10) **Patent No.:** **US D827,576 S**
Sugizaki (45) **Date of Patent:** **** Sep. 4, 2018**

(54) **TERMINAL FITTING FOR ELECTRIC CONNECTOR**
(71) Applicant: **Yazaki Corporation**, Tokyo (JP)
(72) Inventor: **Ryuji Sugizaki**, Shizuoka (JP)
(73) Assignee: **YAZAKI CORPORATION**,
Minato-ku, Tokyo (JP)

(**) Term: **15 Years**
(21) Appl. No.: **29/607,224**

(22) Filed: **Jun. 12, 2017**

(30) **Foreign Application Priority Data**
Mar. 9, 2017 (JP) 2017-004795
(51) **LOC (11) Cl.** **13-03**
(52) **U.S. Cl.**
USPC **D13/133**
(58) **Field of Classification Search**
USPC D8/350-353; D13/120, 146, 133, 147
CPC . H01R 4/10; H01R 4/18; H01R 13/58; H01R
43/20; H01R 4/183; H01R 4/185; H01R
4/70; H01R 43/048
See application file for complete search history.

(56) **References Cited**
U.S. PATENT DOCUMENTS
D251,491 S * 4/1979 Snyder, Jr. D13/146
4,990,103 A * 2/1991 Sazaki H01R 13/506
439/445
5,266,056 A * 11/1993 Baderschneider ... H01R 13/432
439/745
D424,020 S * 5/2000 Fischer 439/349
D490,059 S * 5/2004 Conway D13/146
D534,497 S * 1/2007 Mazzullo D13/133
7,993,170 B2 * 8/2011 Nakata H01R 4/185
439/587
D680,075 S * 4/2013 Yang D13/133
9,136,628 B2 * 9/2015 Aizawa H01R 4/185

9,601,840 B2 * 3/2017 Tonoike H01R 4/187
9,711,872 B2 * 7/2017 Sato H01R 4/185
9,711,873 B1 * 7/2017 Tanaka H01R 4/188
9,847,596 B2 * 12/2017 Sato H01R 13/5216
9,899,749 B2 * 2/2018 Kondou H01R 4/188
9,954,289 B2 * 4/2018 Miyakawa H01R 4/70
9,954,300 B2 * 4/2018 Nagasaka H01R 13/428
(Continued)

FOREIGN PATENT DOCUMENTS

JP 1583222 S 8/2017

OTHER PUBLICATIONS

Communication dated Aug. 22, 2017 from the Japanese Patent Office in counterpart application No. 2017-004795.

Primary Examiner — Jennifer Rivard
Assistant Examiner — Alison M Ofstun
(74) *Attorney, Agent, or Firm* — Sughrue Mion, PLLC

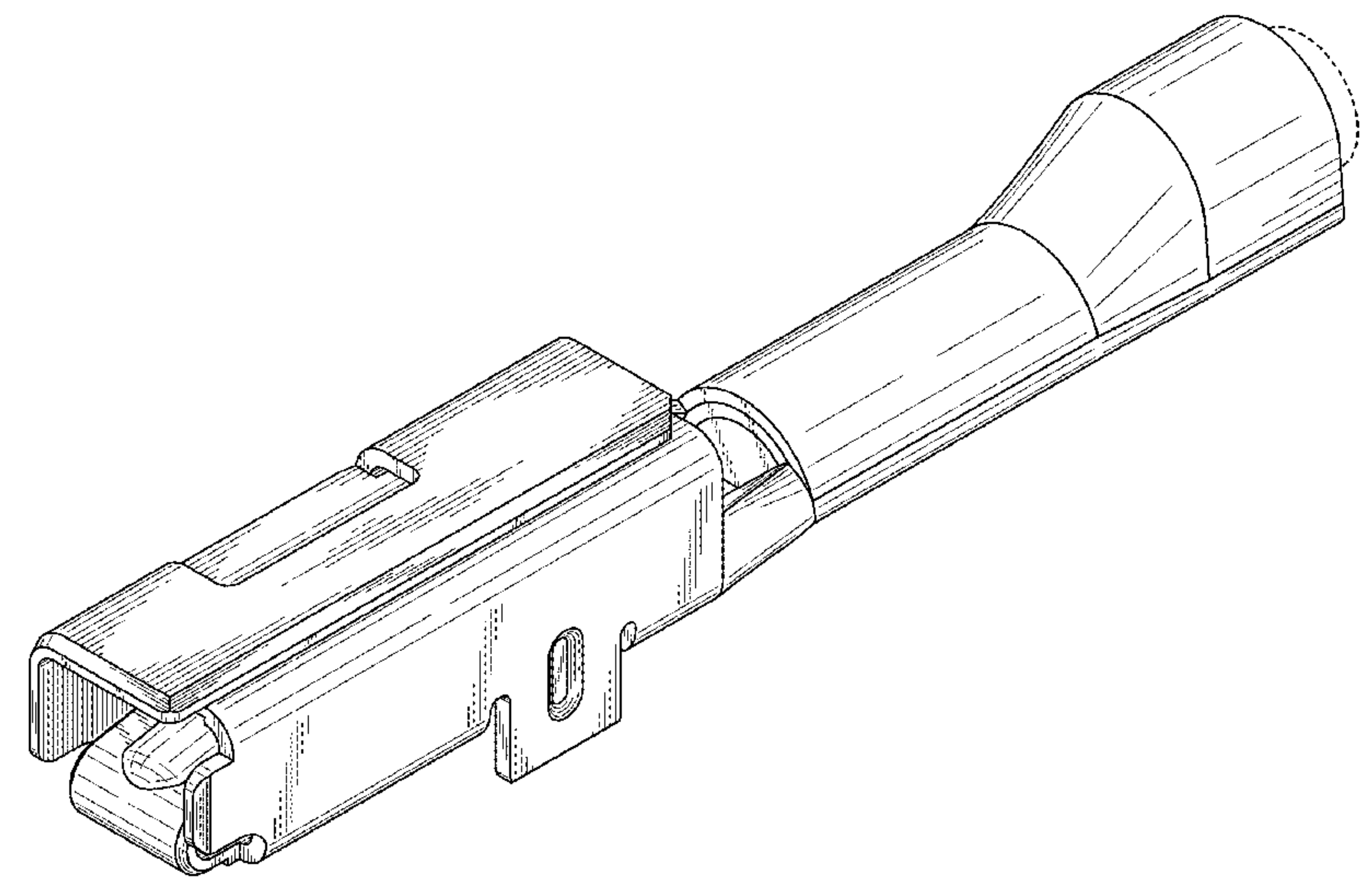
(57) **CLAIM**

The ornamental design for a terminal fitting for electric connector, as shown and described.

DESCRIPTION

FIG. 1 is a front, top and left side perspective view of a terminal fitting for electric connector showing my new design;
FIG. 2 is a rear, bottom and right side perspective view thereof;
FIG. 3 is a front elevational view thereof;
FIG. 4 is a rear elevational view thereof;
FIG. 5 is a right side elevational view thereof;
FIG. 6 is a left side elevational view thereof;
FIG. 7 is a top plan view thereof; and,
FIG. 8 is a bottom plan view thereof.
The broken lines depict portions of the terminal fitting for electric connector in which the design is embodied that form no part of the claimed design.

1 Claim, 7 Drawing Sheets



(56)

References Cited

U.S. PATENT DOCUMENTS

9,954,308	B2 *	4/2018	Sato	H01R 13/5845
D817,882	S *	5/2018	Chen	D13/133
9,966,672	B2 *	5/2018	Aoki	H01R 4/185
9,979,099	B2 *	5/2018	Tonoike	H01R 4/183
2018/0076532	A1 *	3/2018	Iwasawa	H01R 4/185
2018/0109010	A1 *	4/2018	Takahashi	H01R 4/183

* cited by examiner

FIG. 1

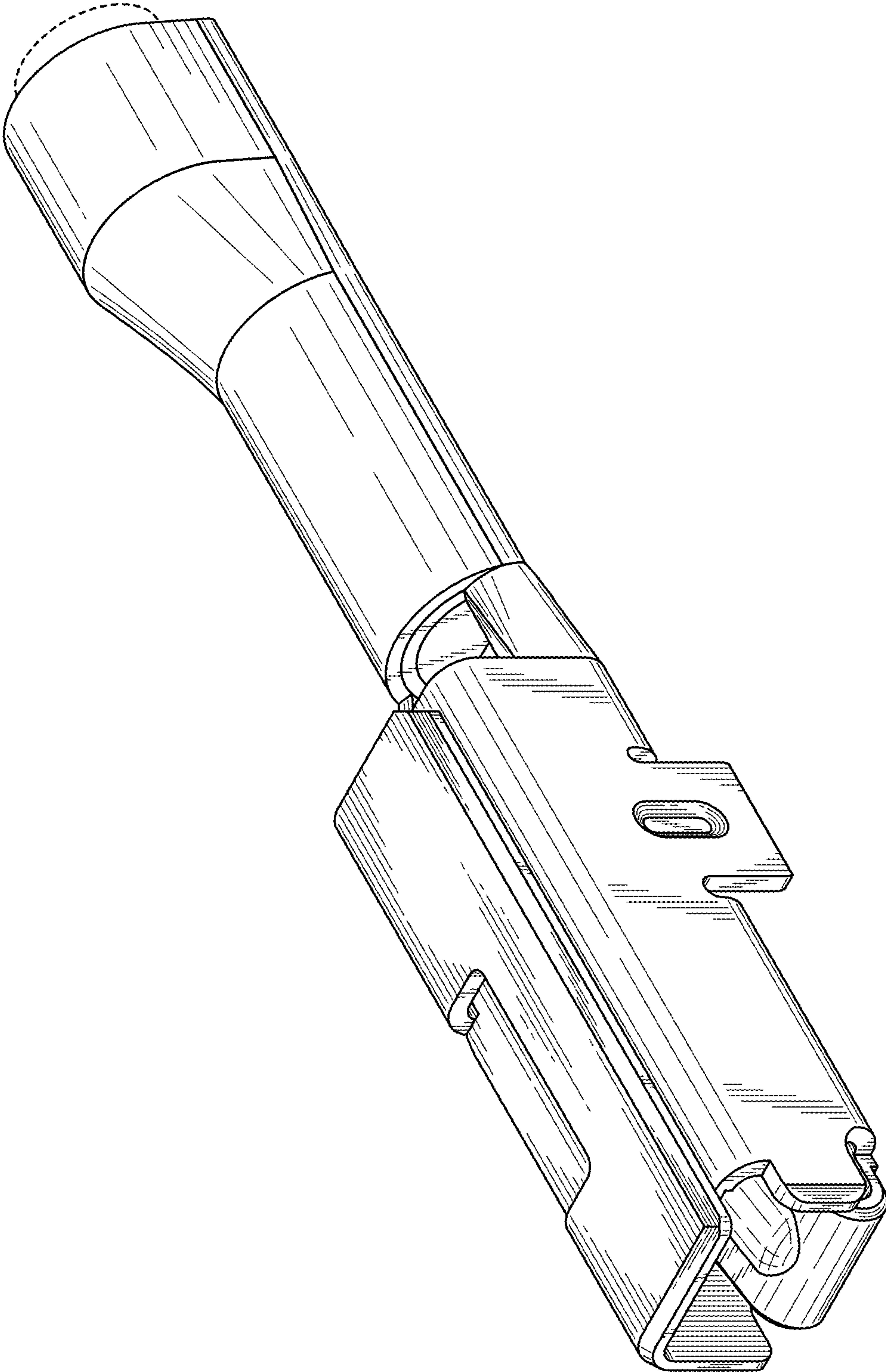


FIG. 2

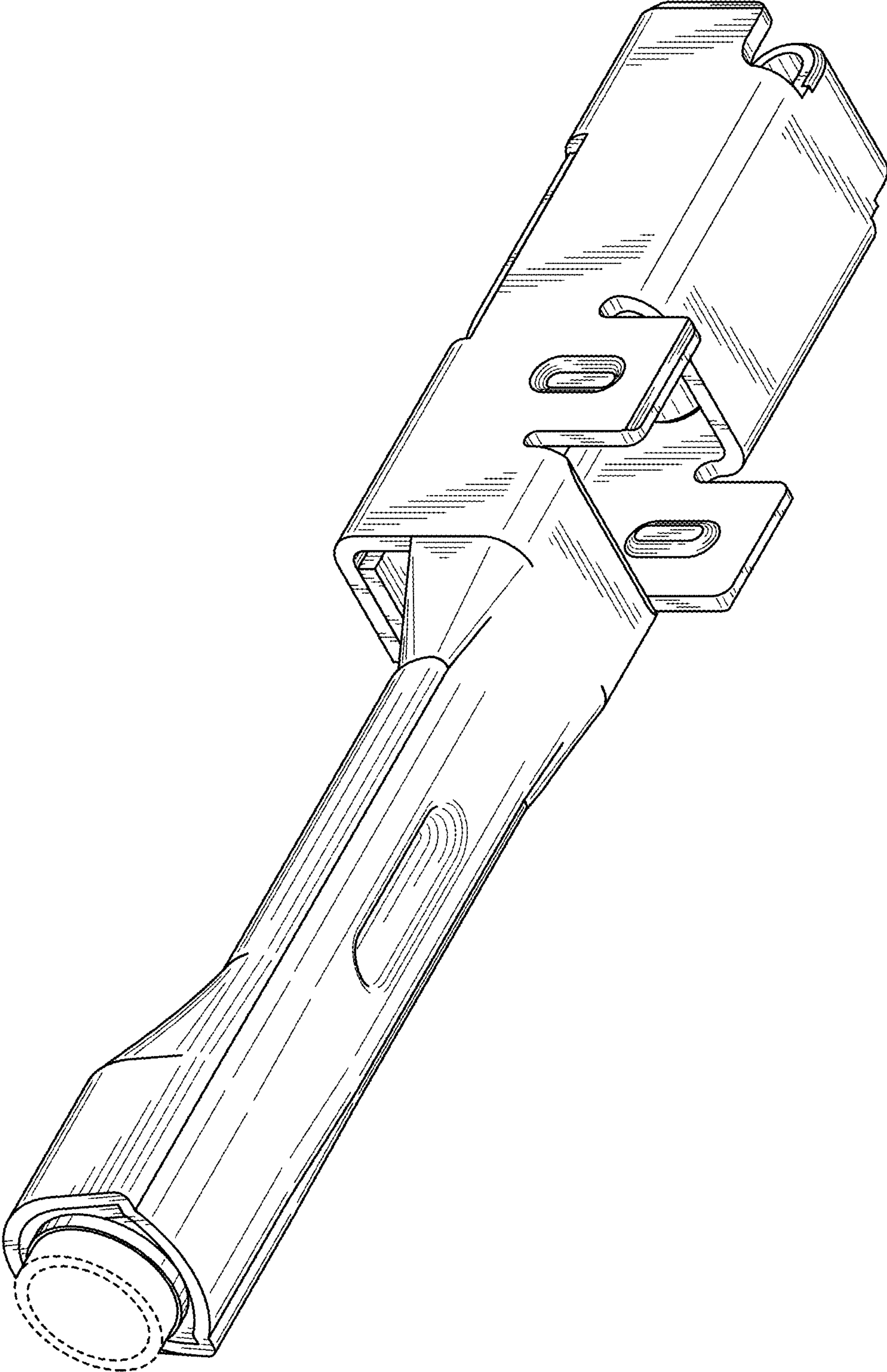


FIG. 3

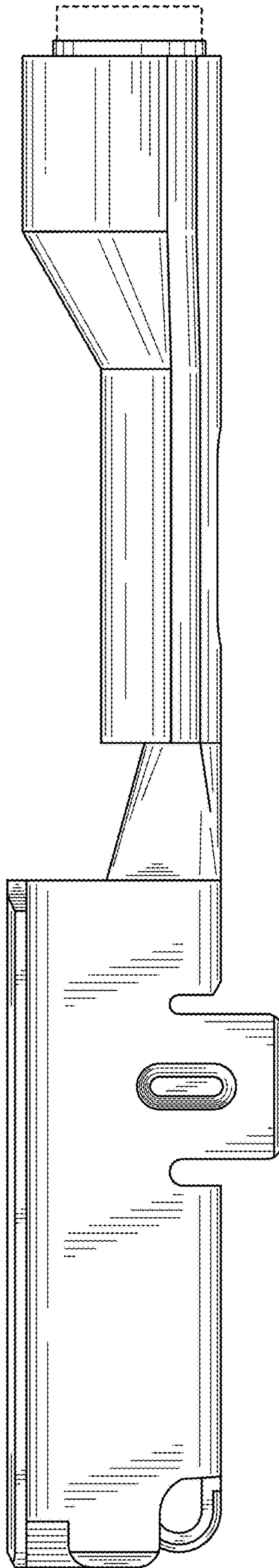


FIG. 4

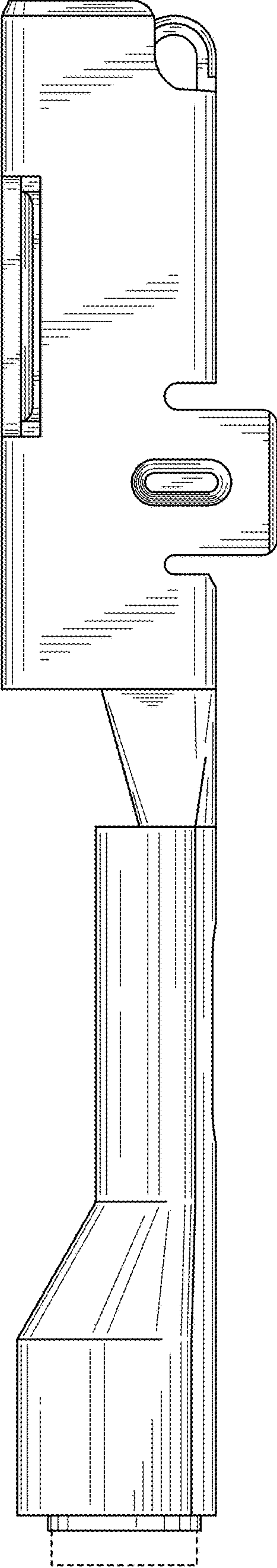


FIG. 5

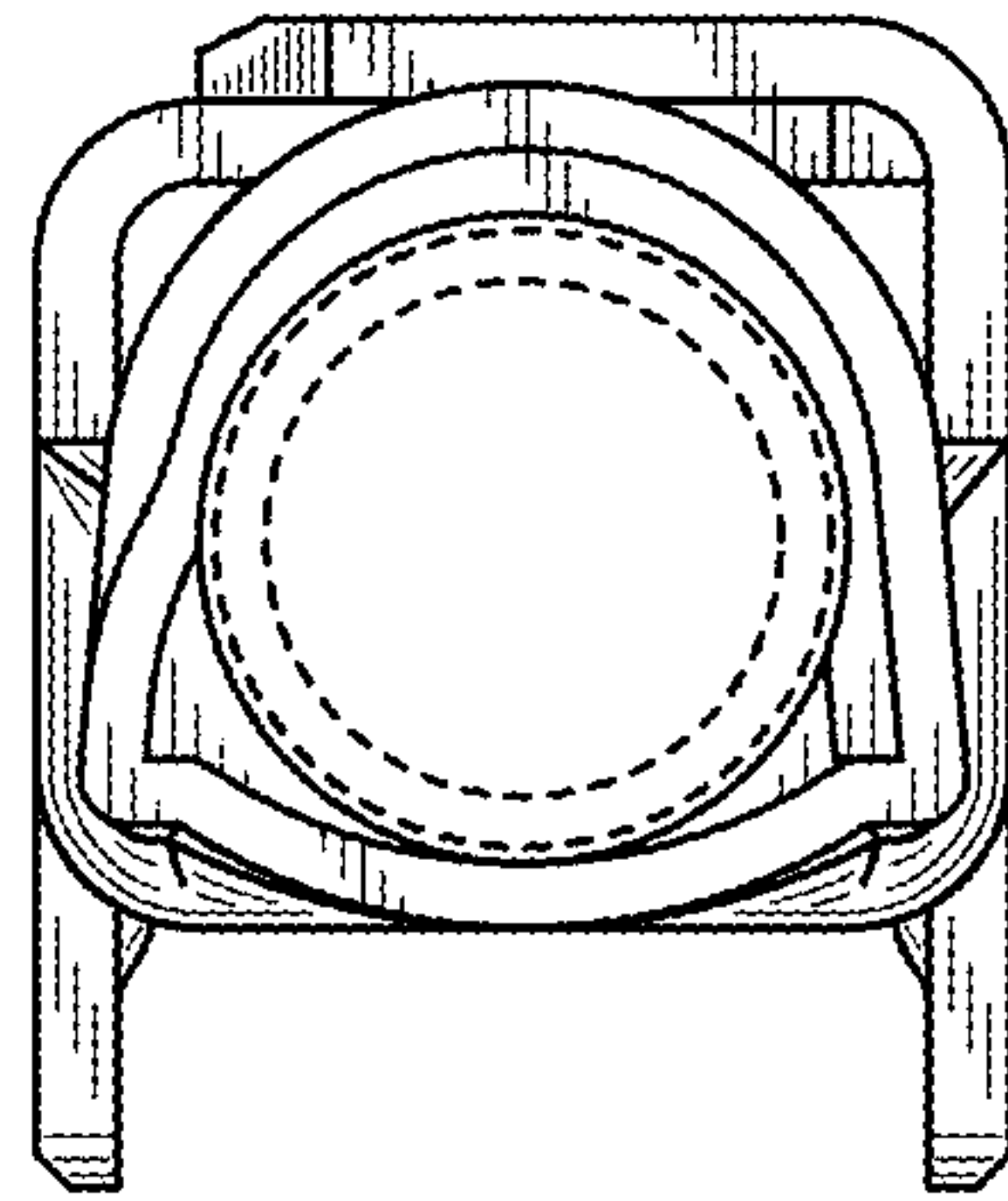


FIG. 6

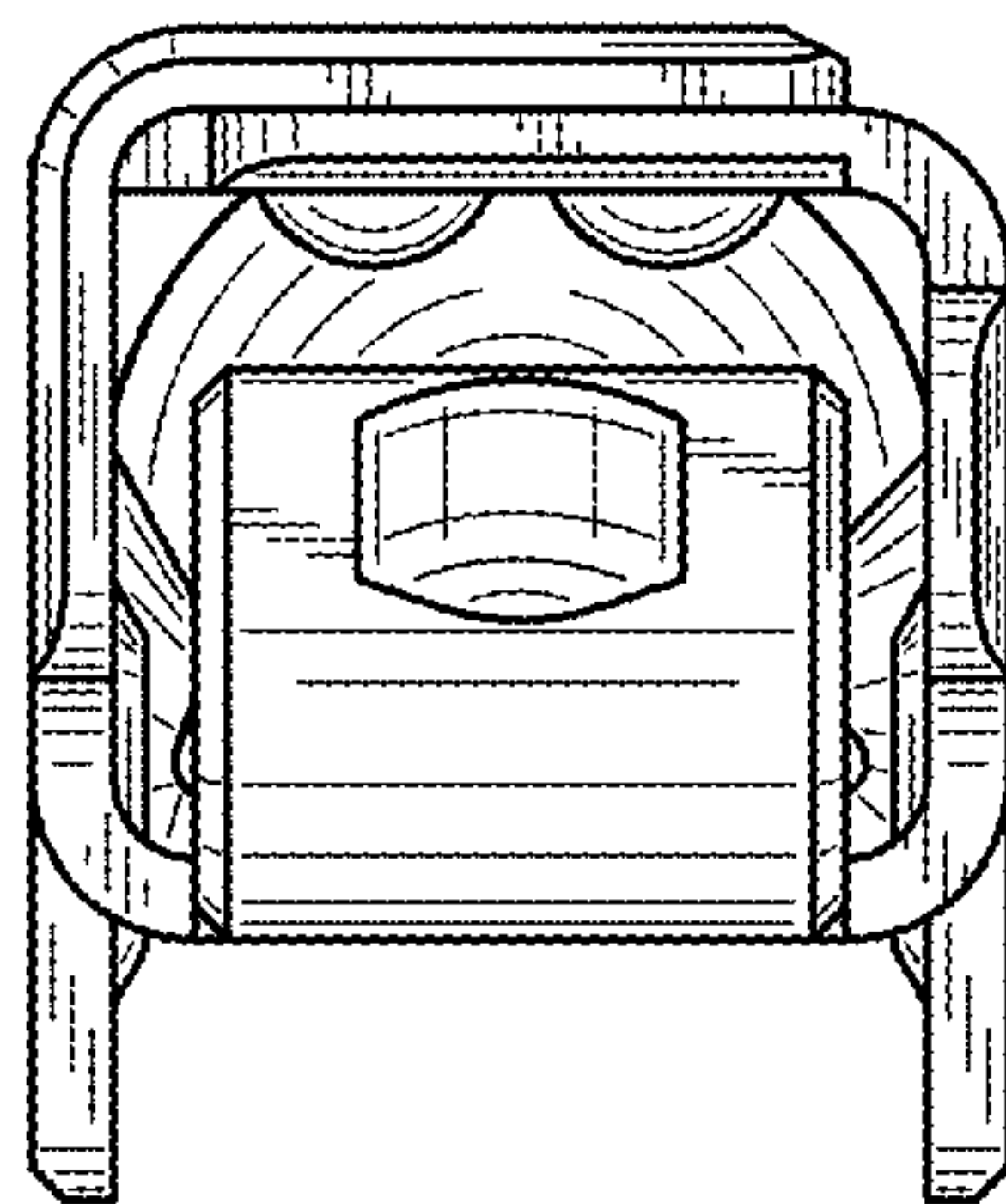


FIG. 7

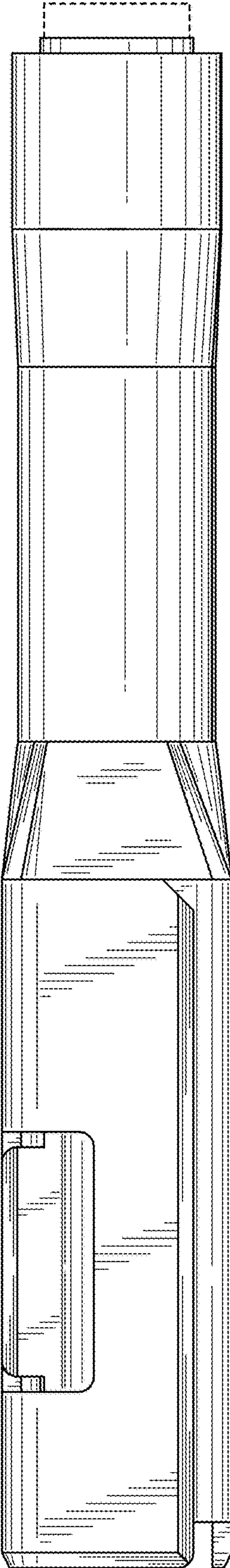


FIG. 8

