



US00D827574S

(12) **United States Design Patent** (10) **Patent No.:** **US D827,574 S**  
**Kawakami et al.** (45) **Date of Patent:** **\*\* Sep. 4, 2018**

(54) **ELECTRICAL CONNECTOR**

(56) **References Cited**

(71) Applicant: **Hosiden Corporation**, Yao-shi, Osaka (JP)

U.S. PATENT DOCUMENTS

(72) Inventors: **Yuta Kawakami**, Yao (JP); **Takayuki Nagata**, Yao (JP)

D585,024	S	*	1/2009	Kudo	.....	D13/133
D753,597	S	*	4/2016	Bies	.....	D13/137.1
D753,598	S	*	4/2016	Bies	.....	D13/137.1
D754,070	S	*	4/2016	Wu	.....	D13/133
D759,599	S	*	6/2016	Kobayashi	.....	D13/147
D790,470	S	*	6/2017	Katagiyama	.....	D13/133
D801,278	S	*	10/2017	Li	.....	D13/147
D801,931	S	*	11/2017	Sasaki	.....	D13/133
D801,932	S	*	11/2017	Sasaki	.....	D13/133
D801,933	S	*	11/2017	Sasaki	.....	D13/133
D801,934	S	*	11/2017	Sasaki	.....	D13/133

(73) Assignee: **HOSIDEN CORPORATION**, Yao-Shi (JP)

(\*\*) Term: **15 Years**

\* cited by examiner

(21) Appl. No.: **29/581,445**

*Primary Examiner* — Rosemary K Tarcza

(22) Filed: **Oct. 19, 2016**

*Assistant Examiner* — Christy M Nemeth

(30) **Foreign Application Priority Data**

(74) *Attorney, Agent, or Firm* — Rankin, Hill & Clark LLP

Apr. 22, 2016 (JP) ..... 2016-008917

(51) **LOC (11) Cl.** ..... **13-03**

(52) **U.S. Cl.**  
USPC ..... **D13/133**

(57) **CLAIM**

The ornamental design for an electrical connector, as shown and described.

(58) **Field of Classification Search**  
USPC ..... D14/432, 433, 435.1, 196, 496, 199;  
D13/103, 108, 109, 110, 133,  
D13/137.1–137.4, 138.1–138.2,  
D13/139.1–139.8, 146, 147, 151,  
D13/152–156, 173, 177, 162, 158, 184,  
D13/107; D8/350, 353–356, 358, 402,  
D8/403; D25/108, 122, 124, 119, 121;  
D23/259, 262; D21/699

CPC .... H01R 25/00; H01R 25/006; H01R 25/003;  
H01R 13/5845; H01R 13/72; H01R  
13/46; H01R 31/06; H01R 24/28; H01R  
11/00; H01R 9/00; H01B 7/2806; H02J  
2007/0062

See application file for complete search history.

**DESCRIPTION**

FIG. 1 is a front, right side and top perspective view of an electrical connector of our new design;  
FIG. 2 is a front elevation view thereof;  
FIG. 3 is a rear elevation view thereof;  
FIG. 4 is a left side view thereof, a right side view being a mirror image;  
FIG. 5 is a top plan view thereof; and,  
FIG. 6 is a bottom plan view thereof.  
The broken line portion of the drawings is included to show portions of the article that form no part of the claimed design.

**1 Claim, 4 Drawing Sheets**

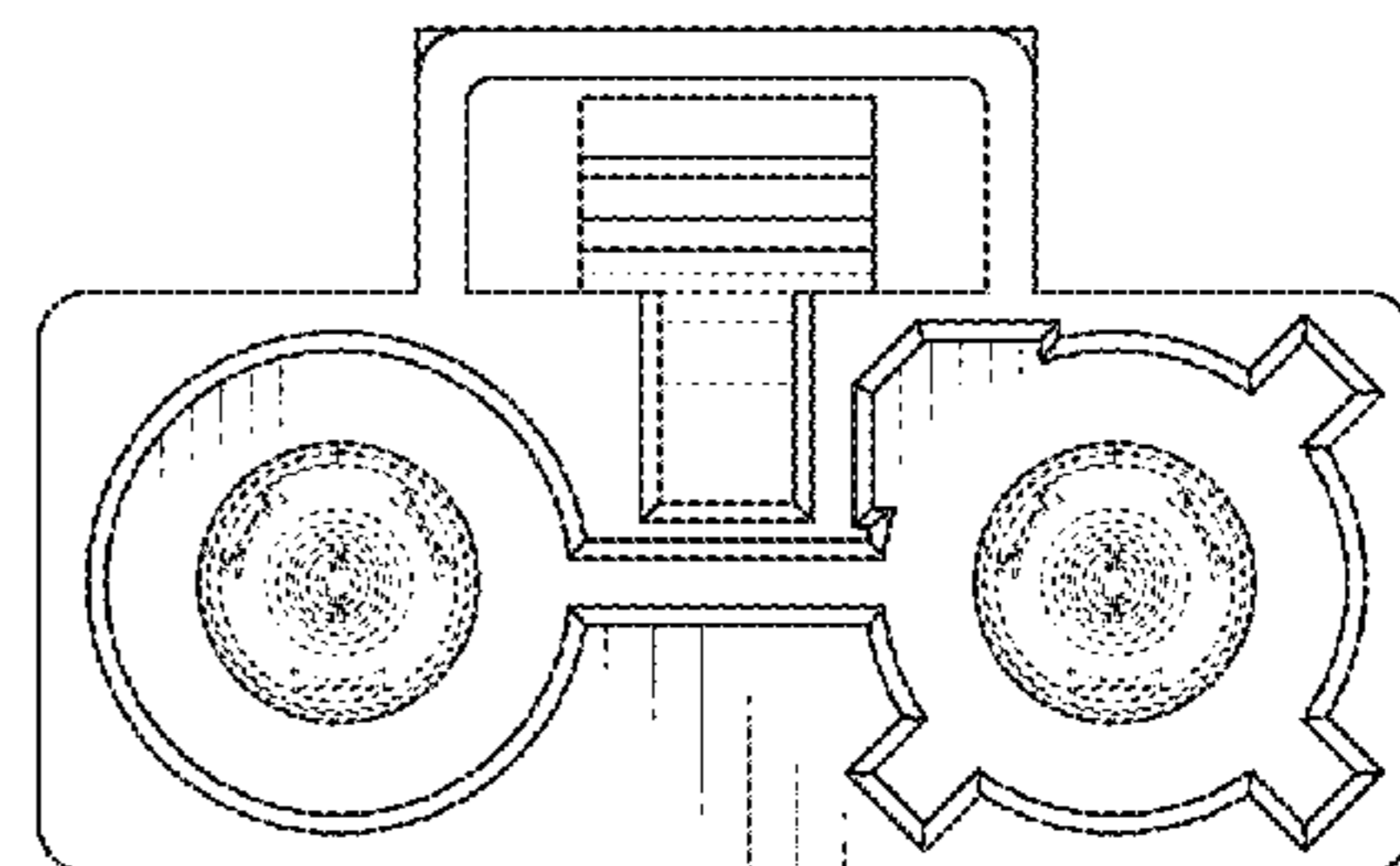
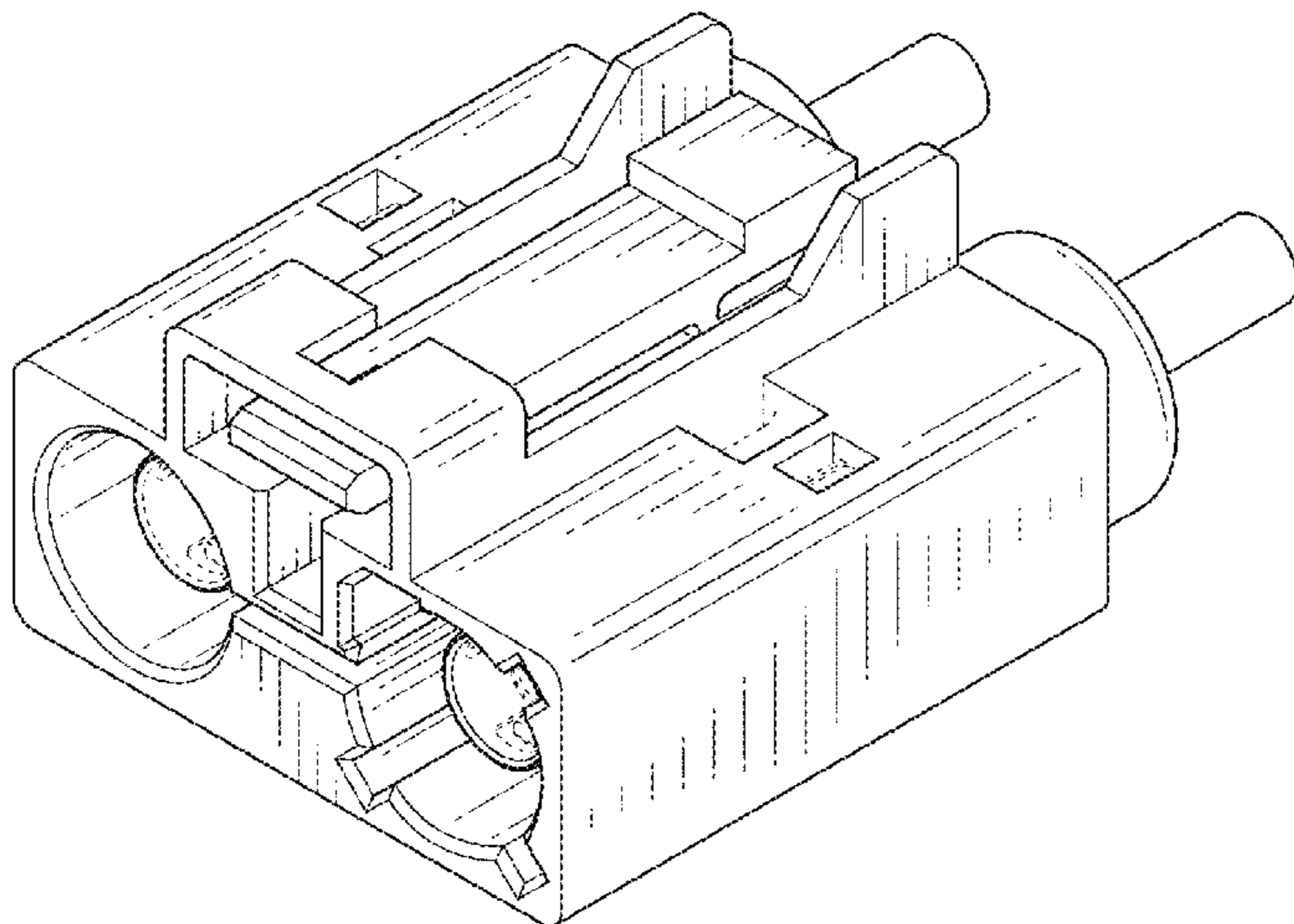


FIG. 1

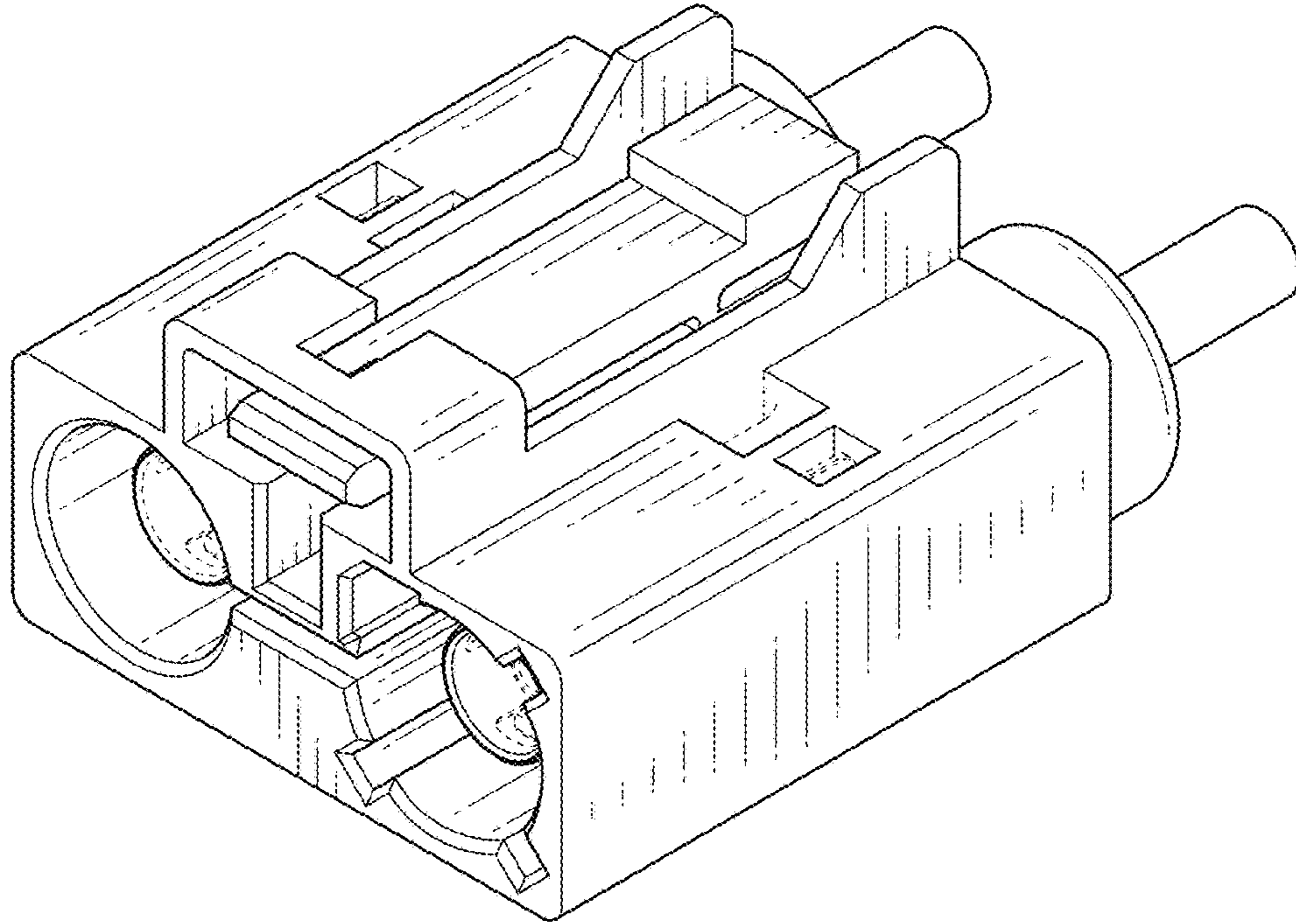


FIG. 2

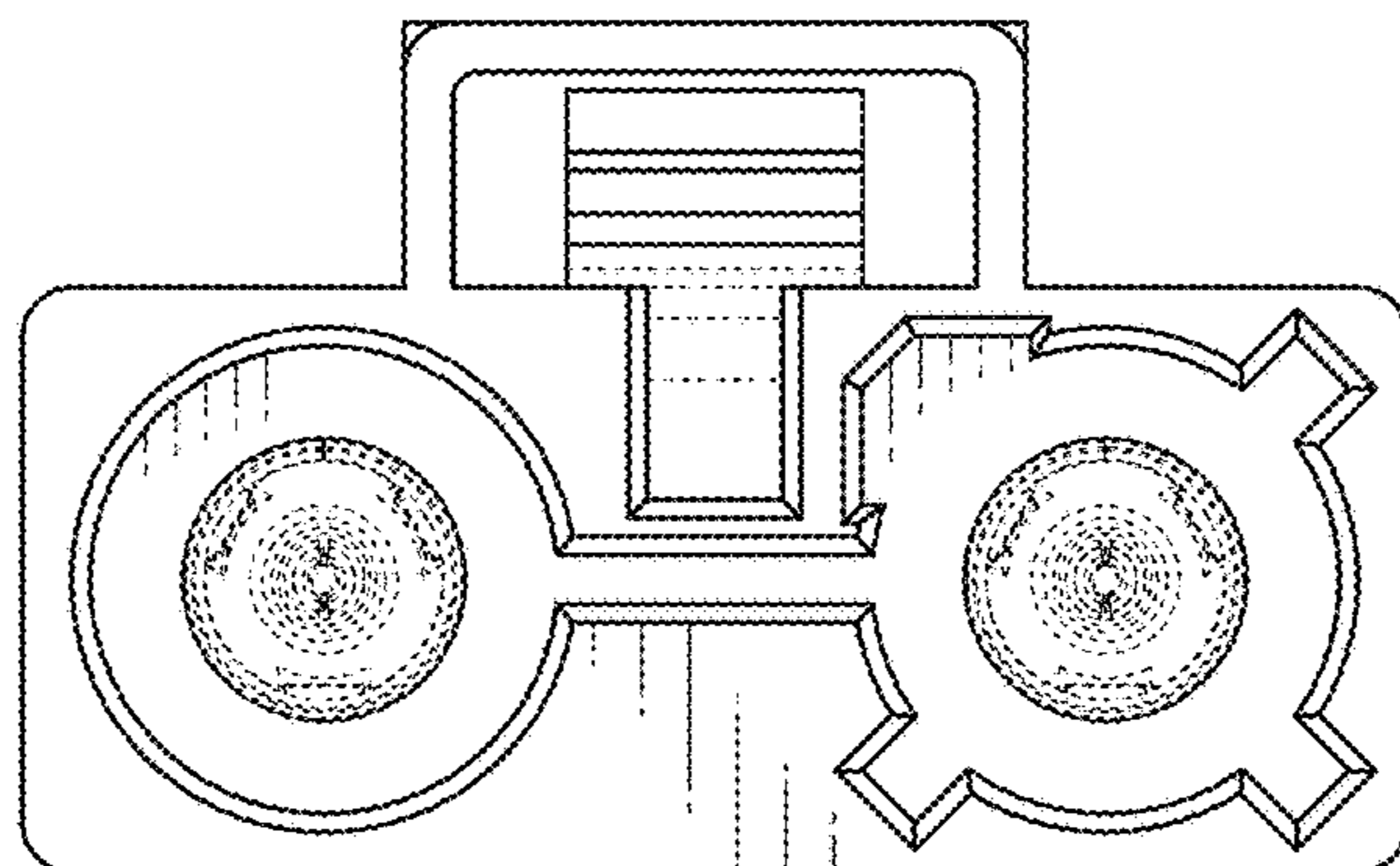


FIG. 3

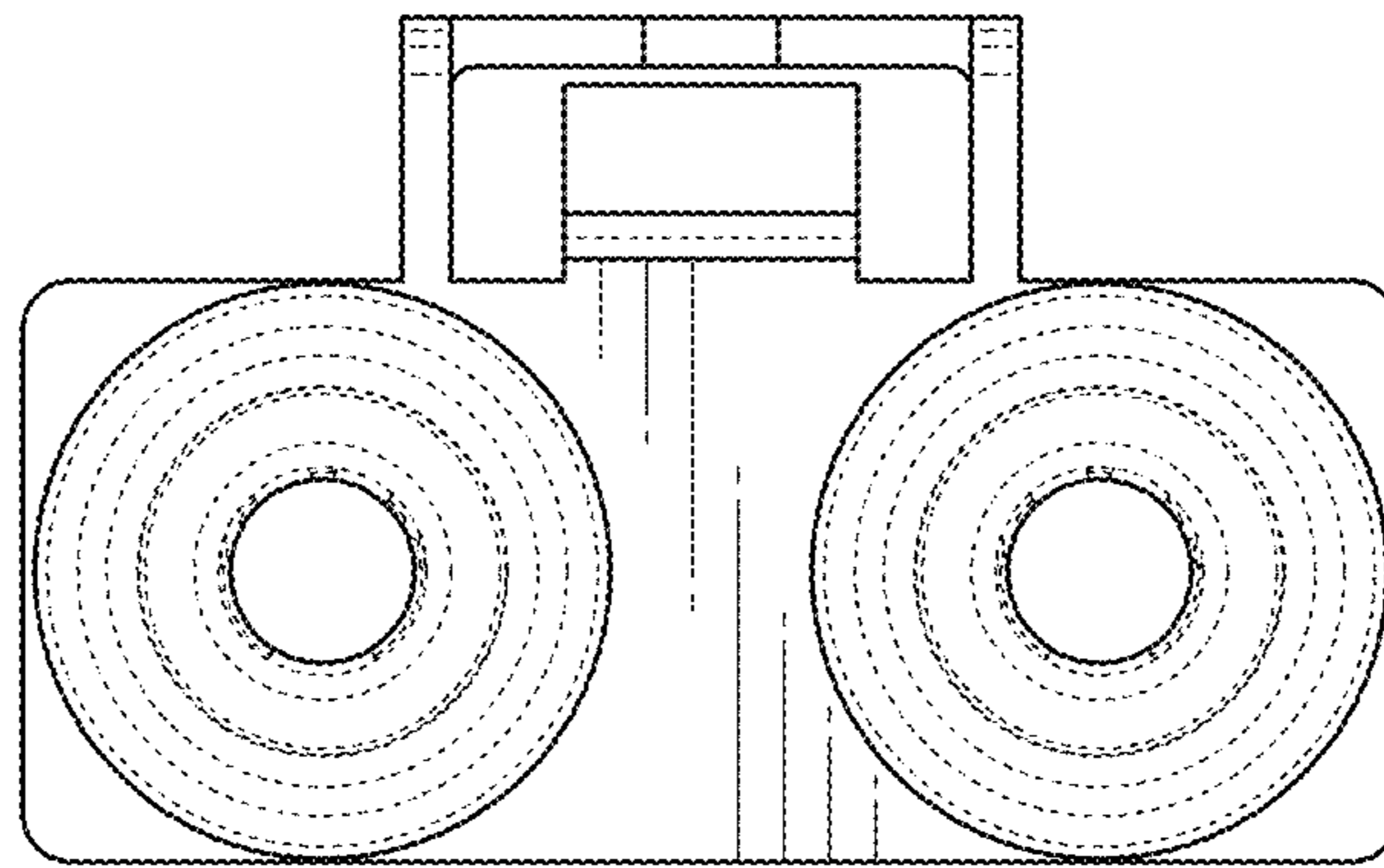


FIG. 4

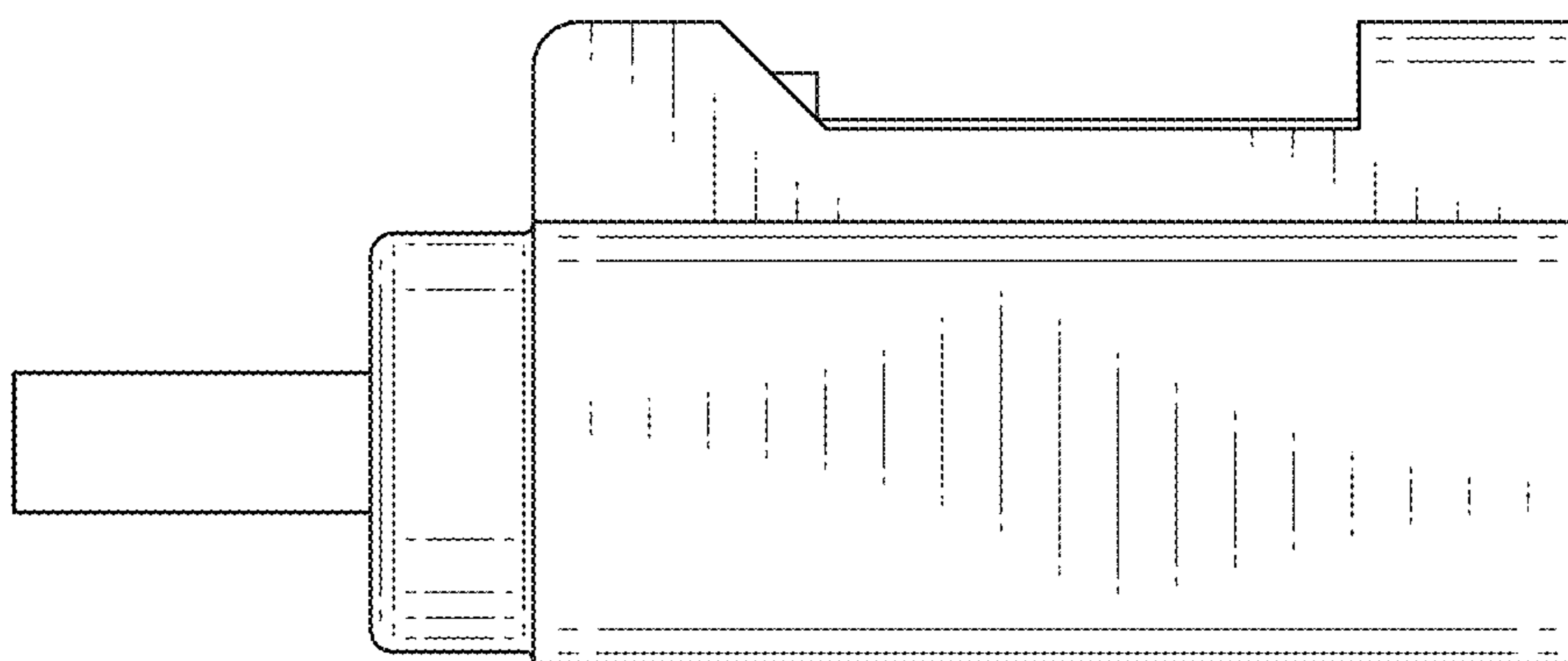


FIG. 5

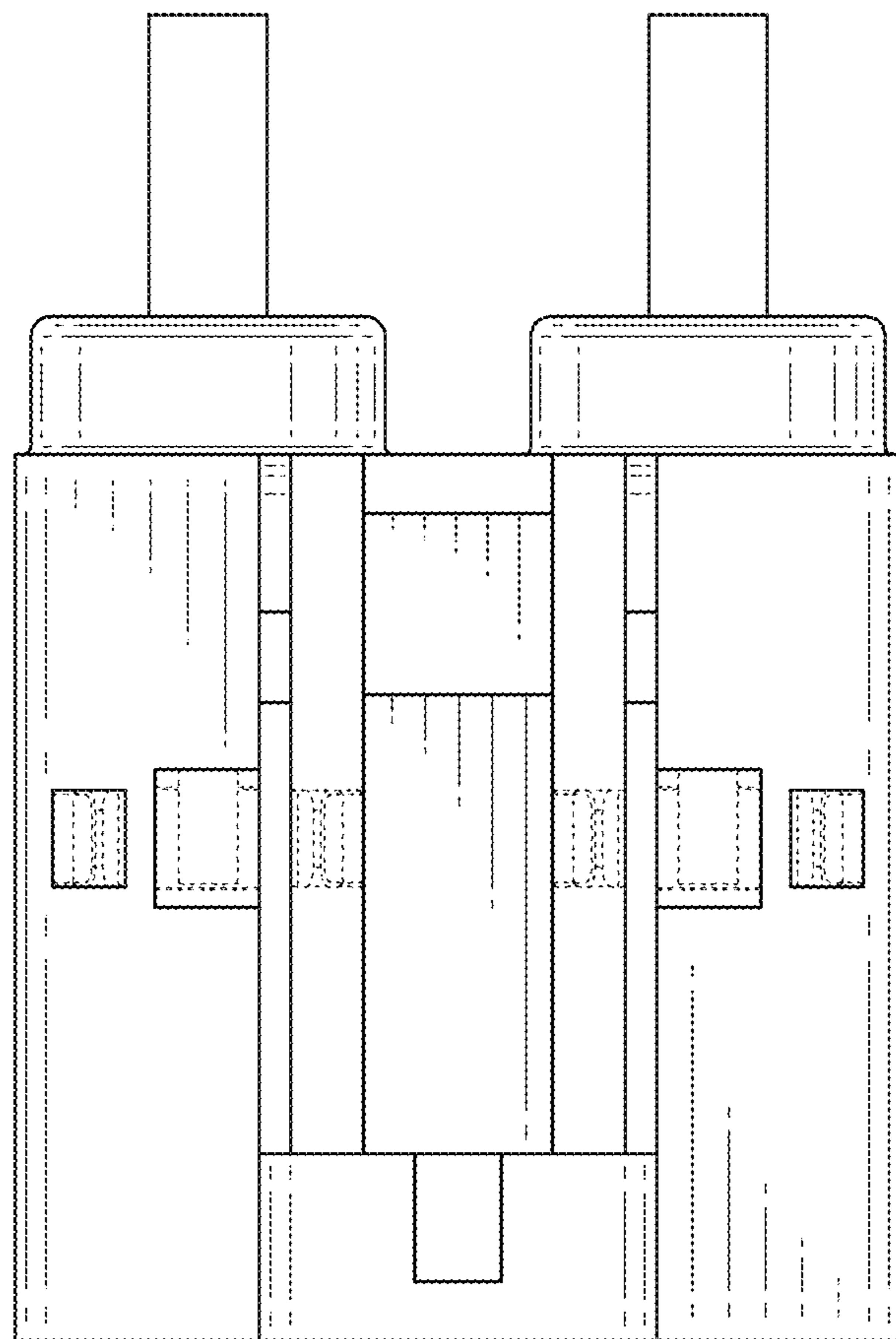


FIG. 6

