



US00D827573S

(12) **United States Design Patent** (10) **Patent No.:** **US D827,573 S**
Petty (45) **Date of Patent:** **** Sep. 4, 2018**

(54) **CLAMPING HUB**
(71) Applicant: **ROBOTZONE, LLC**, Winfield, KS (US)
(72) Inventor: **Brian T. Petty**, Winfield, KS (US)
(73) Assignee: **Robotzone, LLC**, Winfield, KS (US)
(**) Term: **15 Years**
(21) Appl. No.: **29/584,445**
(22) Filed: **Nov. 15, 2016**
(51) **LOC (11) Cl.** **13-02**
(52) **U.S. Cl.**
USPC **D13/120; D8/396**
(58) **Field of Classification Search**
USPC D8/22, 24, 25, 72, 73, 349, 355, 356, D8/382, 383, 394, 396; D15/199; D16/237, 240; D13/120
CPC F16D 1/00; F16D 1/06; F16D 1/08; F16D 1/0852; F16D 1/0864
See application file for complete search history.

D438,173 S * 2/2001 Liang D13/120
D438,783 S * 3/2001 Elliott F16L 23/10 D8/396
D451,071 S * 11/2001 Liang D13/120
D451,470 S * 12/2001 Liang D13/120
6,364,720 B1 * 4/2002 Liang H01R 11/281 439/462
D461,766 S * 8/2002 Liang D13/120
D461,768 S * 8/2002 Liang D13/120
D462,052 S * 8/2002 Liang D13/120
D462,322 S * 9/2002 Liang D13/120
D471,519 S * 3/2003 Liang D13/120
D471,520 S * 3/2003 Liang D13/120
(Continued)

(56) **References Cited**
U.S. PATENT DOCUMENTS
2,760,831 A * 8/1956 Kirk B60T 8/74 285/321
4,981,389 A * 1/1991 Keon F16D 1/0864 403/290
5,067,845 A * 11/1991 Schlueter F16B 2/065 403/261
D342,891 S * 1/1994 Marui D8/396
D342,950 S * 1/1994 Yoder D14/238
D342,951 S * 1/1994 Yoder D14/238
D342,952 S * 1/1994 Yoder D14/238
D342,953 S * 1/1994 Yoder D14/238
D363,699 S * 10/1995 Mountfort D13/120
D377,311 S * 1/1997 Stiegler D8/396
D396,801 S * 8/1998 Petty D8/356
D411,555 S * 6/1999 Nagai D15/199

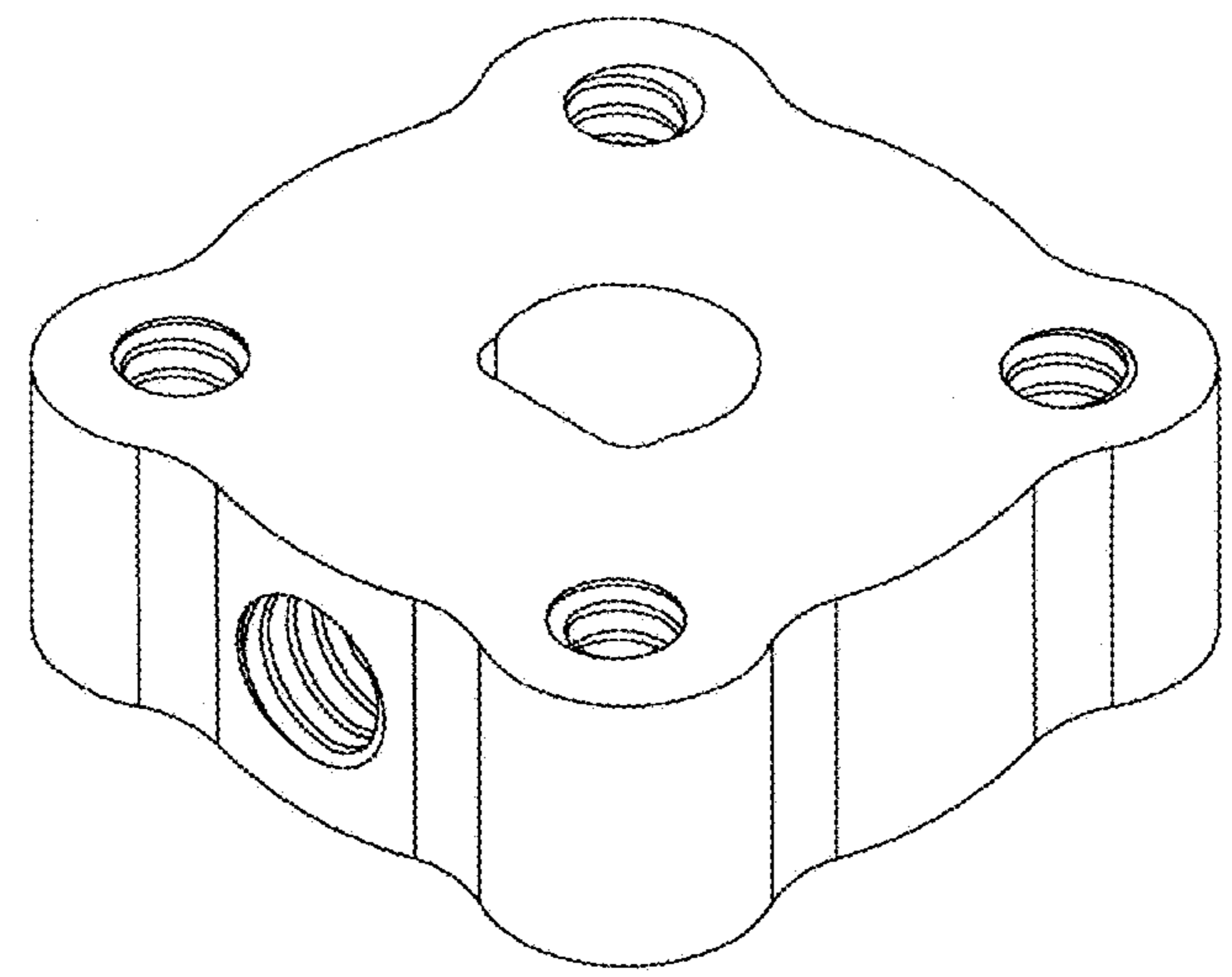
OTHER PUBLICATIONS
0.770" Clamping Hubs, posted on studica.com, copyrighted 1985-2016, no production date given, [online], [site visited Aug. 29, 2017], Available from Internet, <URL: <http://www.studica.com/us/en/RobotZone/0-770-clamping-hubs.html>>.*
(Continued)

Primary Examiner — Melanie H Tung
Assistant Examiner — Fritzgerald L Butac
(74) *Attorney, Agent, or Firm* — Christopher L. Holt; Kelly, Holt & Christenson PLLC

(57) **CLAIM**
The ornamental design for a clamping hub design, as shown and described.

DESCRIPTION
FIG. 1 is a perspective view of a clamping hub.
FIG. 2 is a first side view of a clamping hub.
FIG. 3 is a first end view of a clamping hub.
FIG. 4 is a second side view of a clamping hub.
FIG. 5 is a top view of a clamping hub.
FIG. 6 is a second end view of a clamping hub; and,
FIG. 7 is a bottom view of a clamping hub.

1 Claim, 7 Drawing Sheets



(56)

References Cited

U.S. PATENT DOCUMENTS

D478,047 S * 8/2003 Liang D13/120
 D478,312 S * 8/2003 Liang D13/120
 D485,235 S * 1/2004 Liang D13/120
 D510,017 S * 9/2005 Messina D8/395
 D536,607 S * 2/2007 Bekkevold D8/396
 D546,666 S * 7/2007 Mohlin D8/396
 D587,633 S * 3/2009 Parrett D12/119
 D664,233 S * 7/2012 Heidkamp D22/108
 D681,437 S * 5/2013 Wall D8/394
 D681,440 S * 5/2013 Yu D8/396
 D700,835 S * 3/2014 Langlois D8/396
 D708,053 S * 7/2014 Marini D24/127
 D709,541 S * 7/2014 Yu Chen D15/145
 D714,630 S * 10/2014 Irgens D8/394
 D734,412 S * 7/2015 Butler D21/692
 D758,177 S * 6/2016 Riccione D8/396
 D787,305 S * 5/2017 McNamee, Jr. D8/396
 D788,317 S * 5/2017 Orcutt D24/232
 D803,757 S * 11/2017 Giordano D12/223
 D814,286 S * 4/2018 Chapman D8/396
 2017/0067585 A1 * 3/2017 Marks F16D 1/00

OTHER PUBLICATIONS

1/2" Bore Clamping Hub, posted on amazon.com, no posted date given, no production date given, [online], [site visited Aug. 29, 2017], Available from Internet, <URL: <https://www.amazon.com/1-2-Bore-Clamping-Hub/dp/B00KRJAZUY>>.*
 Face Tapped Clamping Hubs, 0.77" Pattern, posted on servocity.com, no posted date given, no production date given, [online], [site visited Aug. 29, 2017], Available from Internet, <URL: <https://www.servocity.com/770-clamping-hubs>>.*
 0.770" Clamping Hubs, posted on studica.com, copyrighted 1985-2016, no production date given, [online], [site visited Aug. 29, 2017], Available from Internet, <URL: <http://www.studica.com/us/en/RobotZone/0-770-clamping-hubs.html>> (Year: 2016).*
 1/2" Bore Clamping Hub, posted on amazon.com, no posted date given, no production date given, [online], [site visited Aug. 29, 2017], Available from Internet, <URL: <https://www.amazon.com/1-2-Bore-Clamping-Hub/dp/B00KRJAZUY>> (Year: 2018).*
 Face Tapped Clamping Hubs, 0.77" Pattern, posted on servocity.com, no posted date given, no production date given, [online], [site visited Aug. 29, 2017], Available from Internet, <URL: <https://www.servocity.com/770-clamping-hubs>> (Year: 2018).*

* cited by examiner

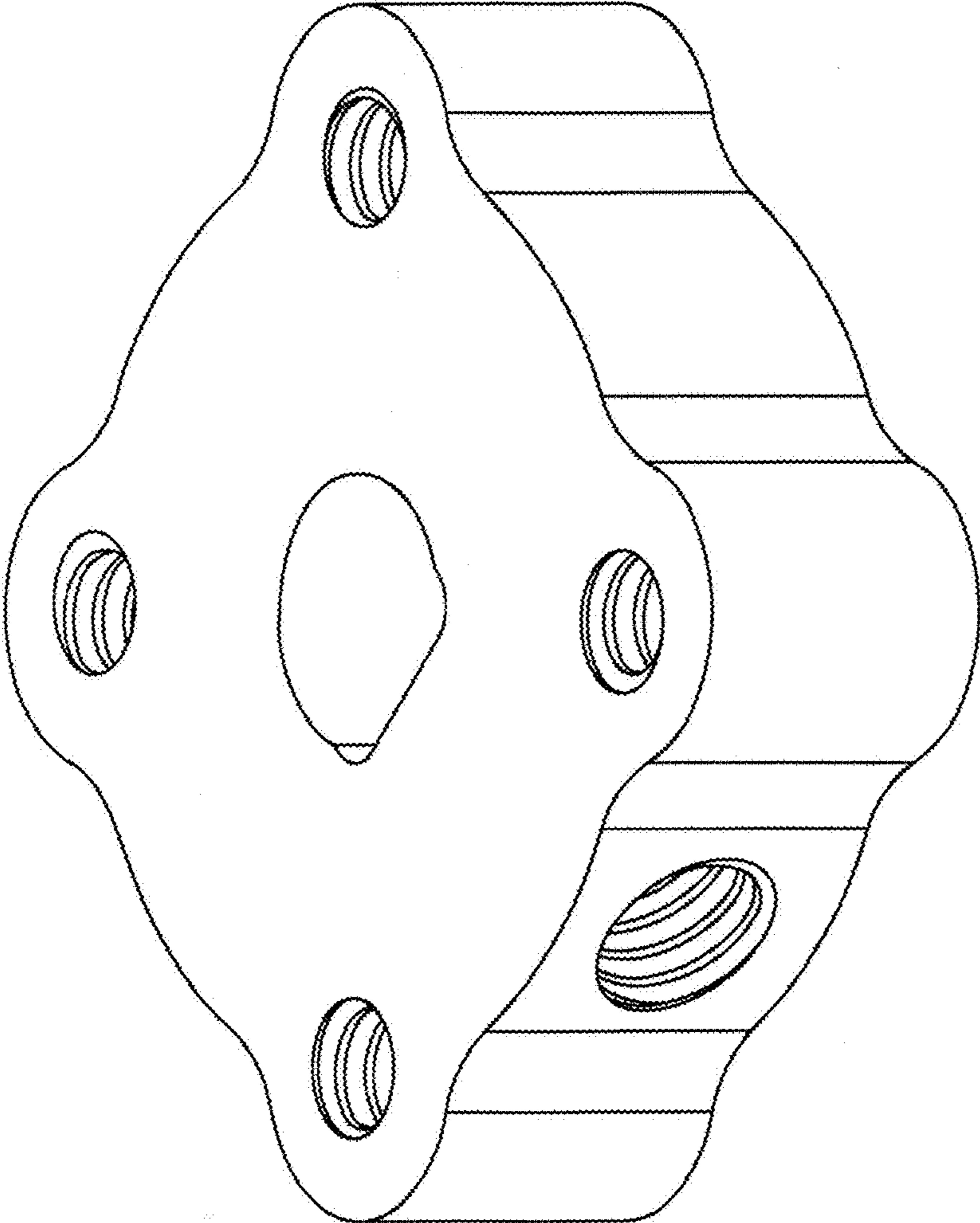


FIG. 1

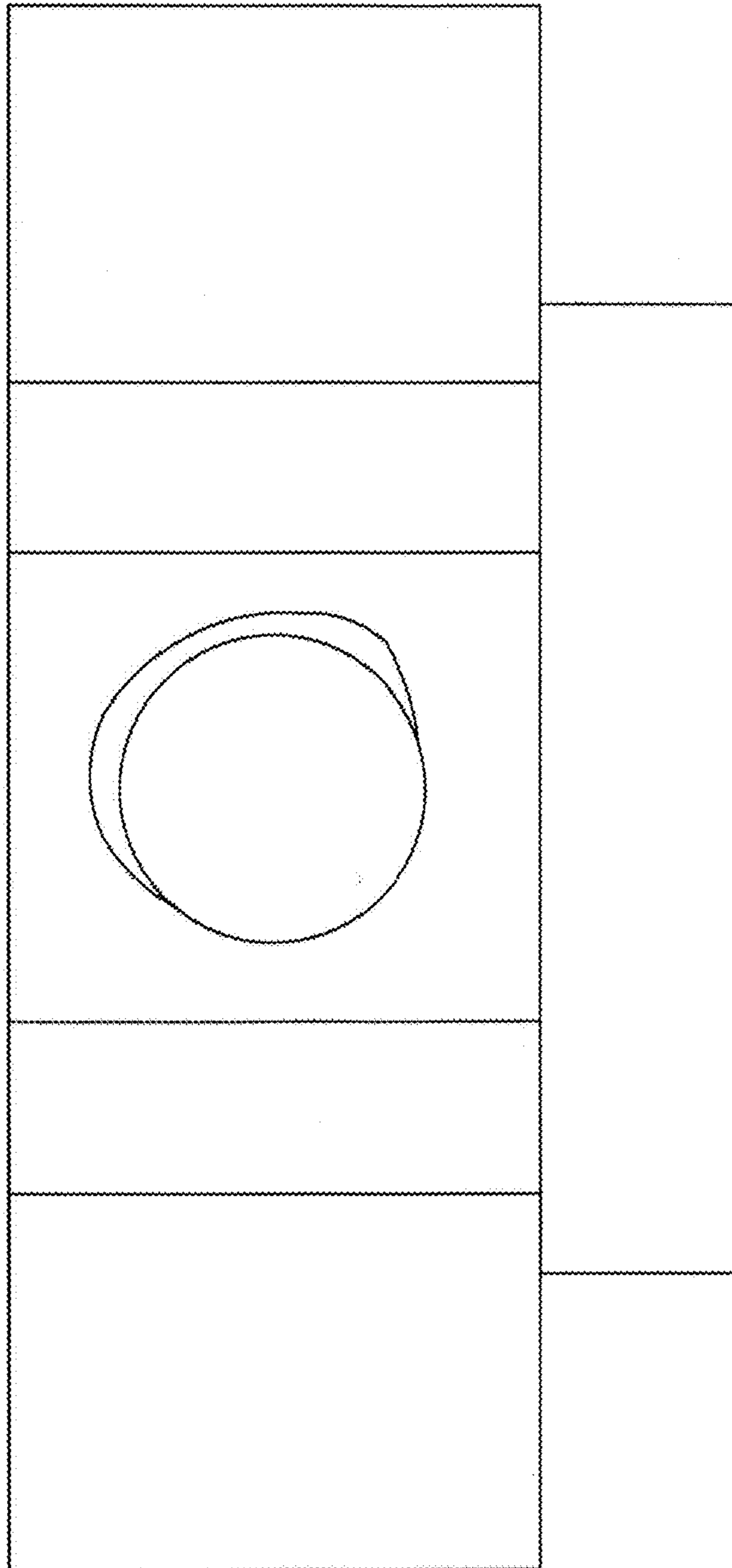


FIG. 2

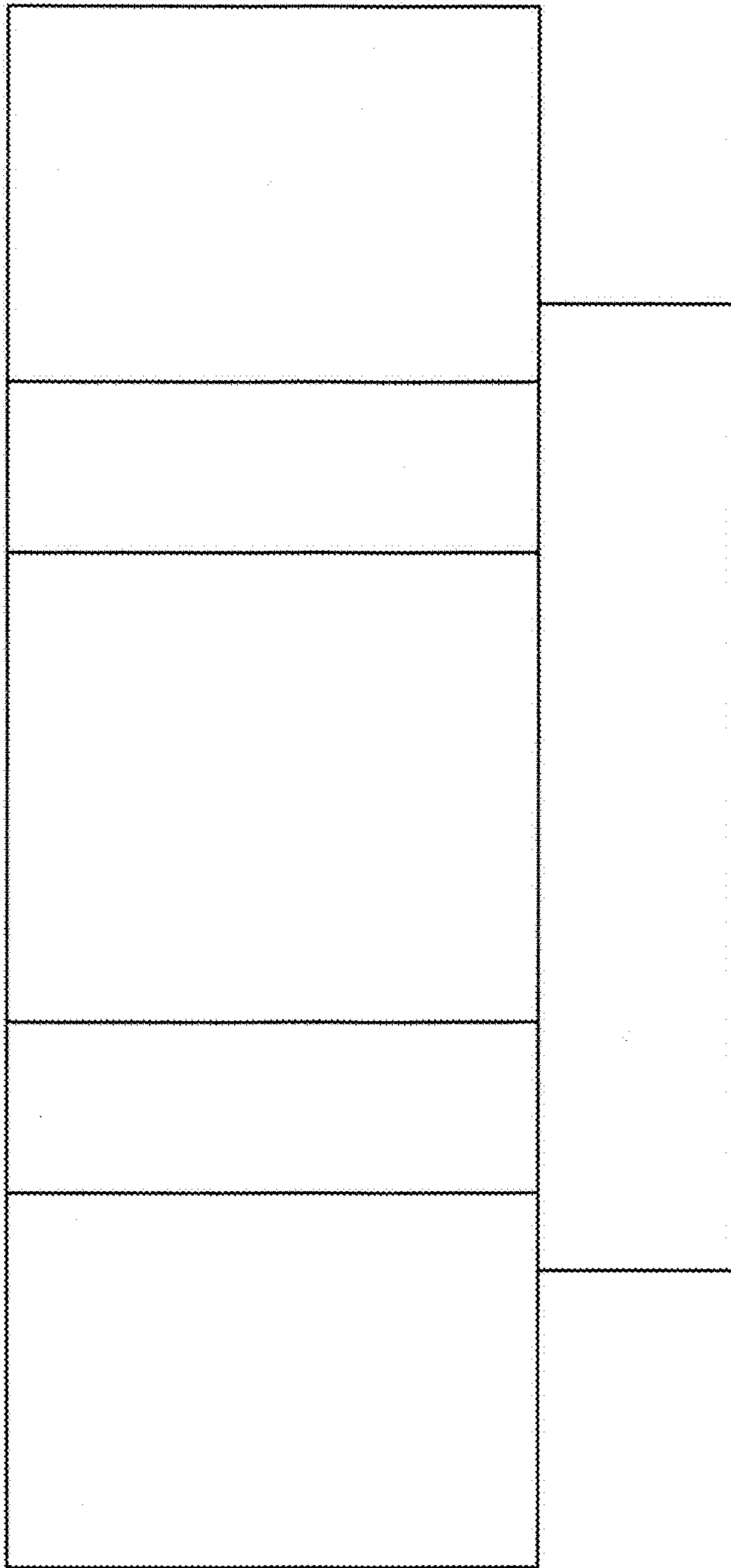


FIG. 3

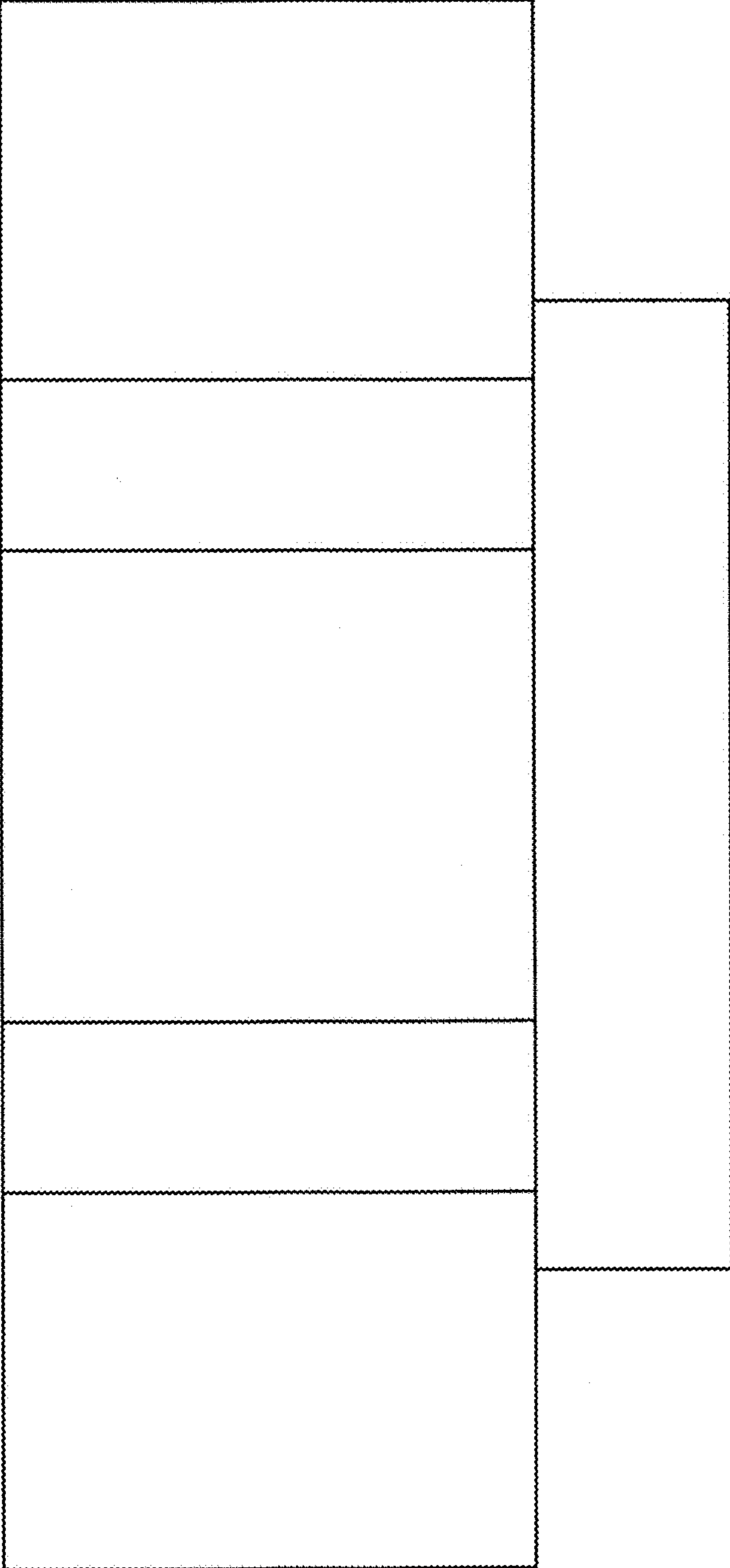


FIG. 4

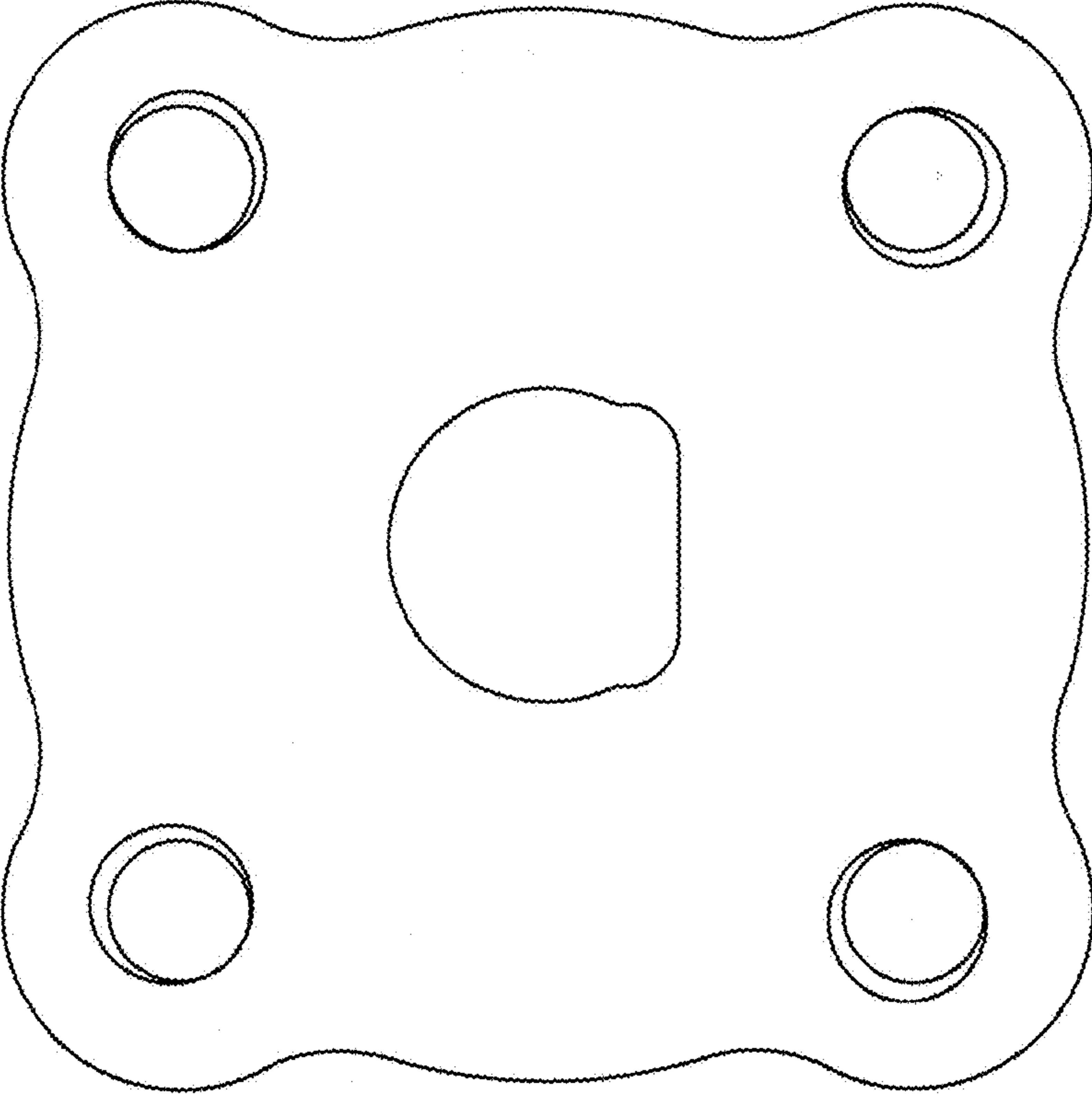


FIG. 5

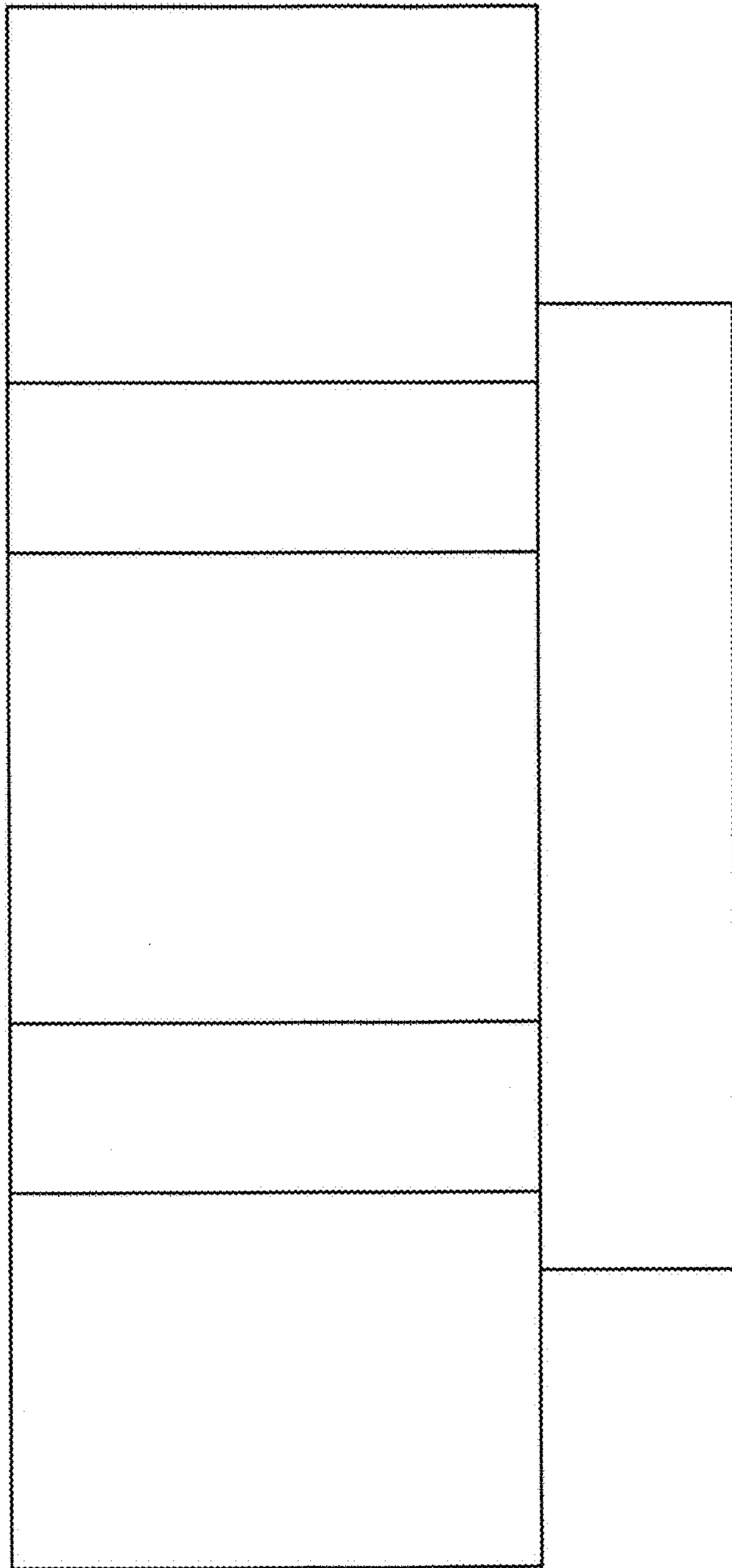


FIG. 6

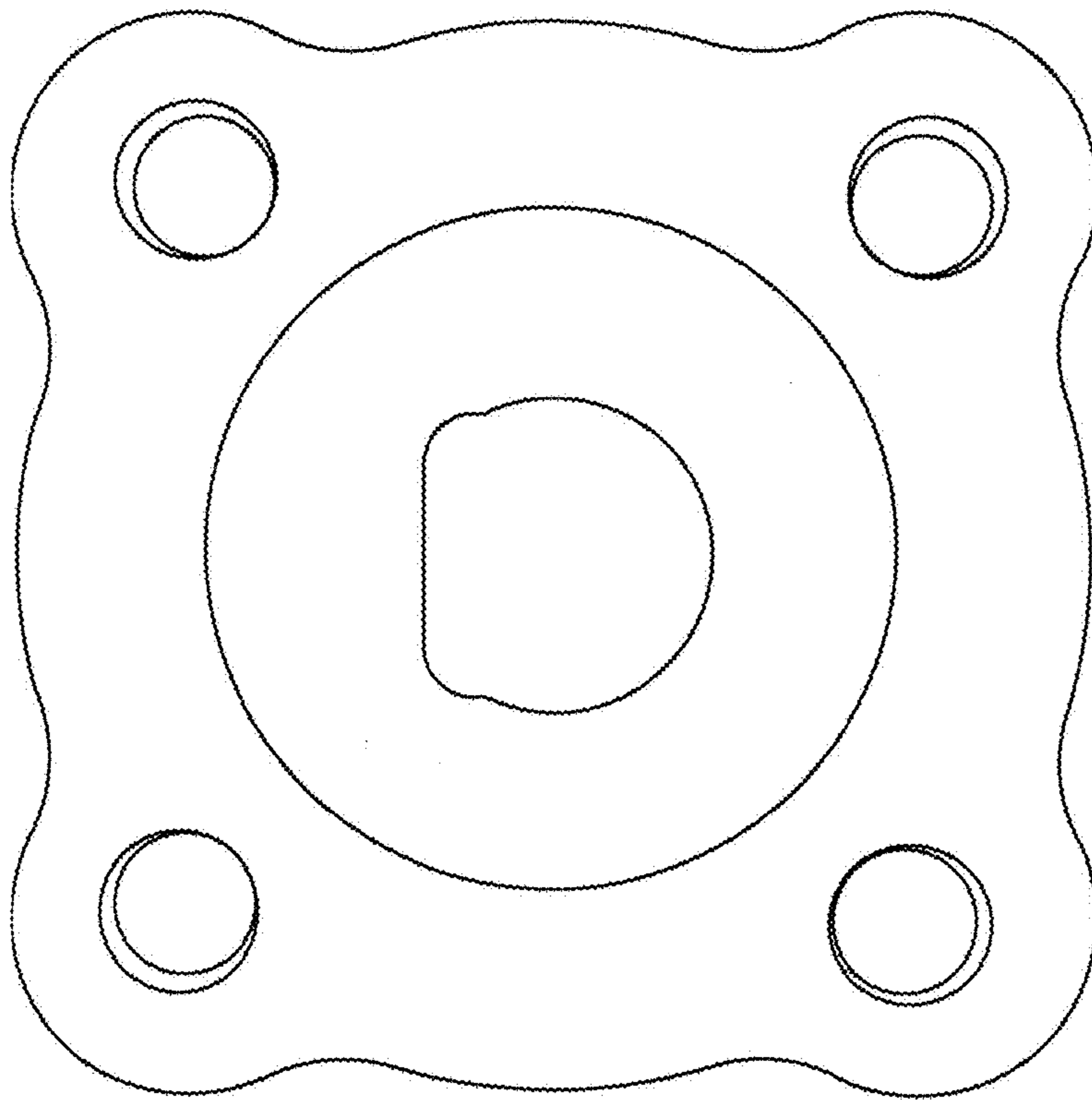


FIG. 7