



US00D827571S

(12) **United States Design Patent**
Aiba et al.

(10) **Patent No.:** **US D827,571 S**
(45) **Date of Patent:** **** Sep. 4, 2018**

(54) **ELECTRIC POWER STORAGE MODULE**

H01M 2/0207; H01M 2/202; H01M 2/1055; H01M 2/1077

(71) Applicant: **Shin-Kobe Electric Machinery Co., Ltd.**, Tokyo (JP)

See application file for complete search history.

(72) Inventors: **Tsunemi Aiba**, Tokyo (JP); **Tadashi Shikama**, Tokyo (JP)

(56) **References Cited**

(73) Assignee: **HITACHI CHEMICAL COMPANY, LTD.**, Tokyo (JP)

U.S. PATENT DOCUMENTS

(**) Term: **15 Years**

D278,624	S	*	4/1985	Stone	D13/146
D456,772	S	*	5/2002	Grant	D13/110
7,576,513	B1	*	8/2009	Nierescher	H01M 10/44 320/107
D742,307	S	*	11/2015	DeKeuster	D13/103
2010/0014243	A1	*	1/2010	Tsai	H01L 23/4093 361/679.47

(21) Appl. No.: **29/532,097**

* cited by examiner

(22) Filed: **Jul. 1, 2015**

Primary Examiner — Derrick Holland

(30) **Foreign Application Priority Data**

(74) *Attorney, Agent, or Firm* — Fitch, Even, Tabin & Flannery, LLP

Feb. 19, 2015 (JP) 2015-3398

(51) **LOC (11) Cl.** **13-02**

(52) **U.S. Cl.**
USPC **D13/110**

(57) **CLAIM**

The ornamental design for an electric power storage module, as shown and described.

(58) **Field of Classification Search**

DESCRIPTION

USPC D13/110, 101, 118, 119, 121, 147, 162, D13/179, 182, 199; 307/89, 91, 150; 361/679, 707, 717, 718, 719, 720, 736, 361/752, 775, 777, 815; 363/36, 37, 55, 363/56.01, 131, 141, 142, 144

CPC H01L 21/4882; H01L 23/36; H01L 23/62; H01L 23/473; H01L 2924/00; H01L 2924/0002; H01L 2924/181; H01L 2924/351; H01L 2924/1305; H01L 2924/1306; H01L 2924/13091; H01M 10/60; H01M 10/63; H01M 10/65; H01M 10/348; H01M 10/443; H01M 10/486; H01M 10/637; H01M 2/02; H01M 2/022;

FIG. 1 is a front elevation view of an electric power storage module showing our new design;
 FIG. 2 is a rear elevational view thereof;
 FIG. 3 is a right side elevational view thereof;
 FIG. 4 is a left side elevational view thereof;
 FIG. 5 is a top plan view thereof; and
 FIG. 6 is a bottom plan view thereof;
 FIG. 7 is a cross-section view taken along line 7-7 in FIG. 3;
 FIG. 8 is a first perspective view thereof; and,
 FIG. 9 is a second perspective view thereof.

1 Claim, 5 Drawing Sheets

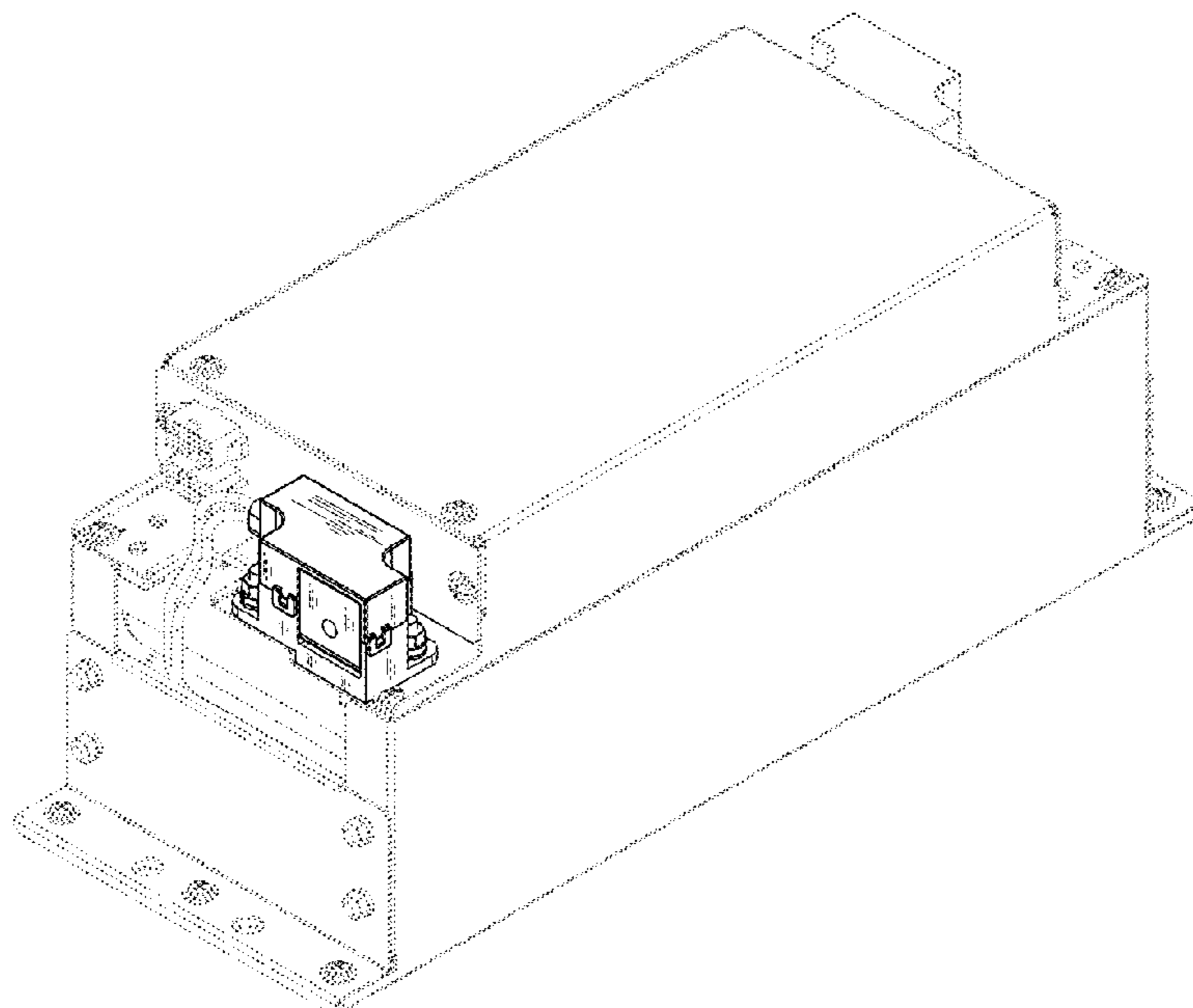


Fig.1



Fig.2



Fig.3

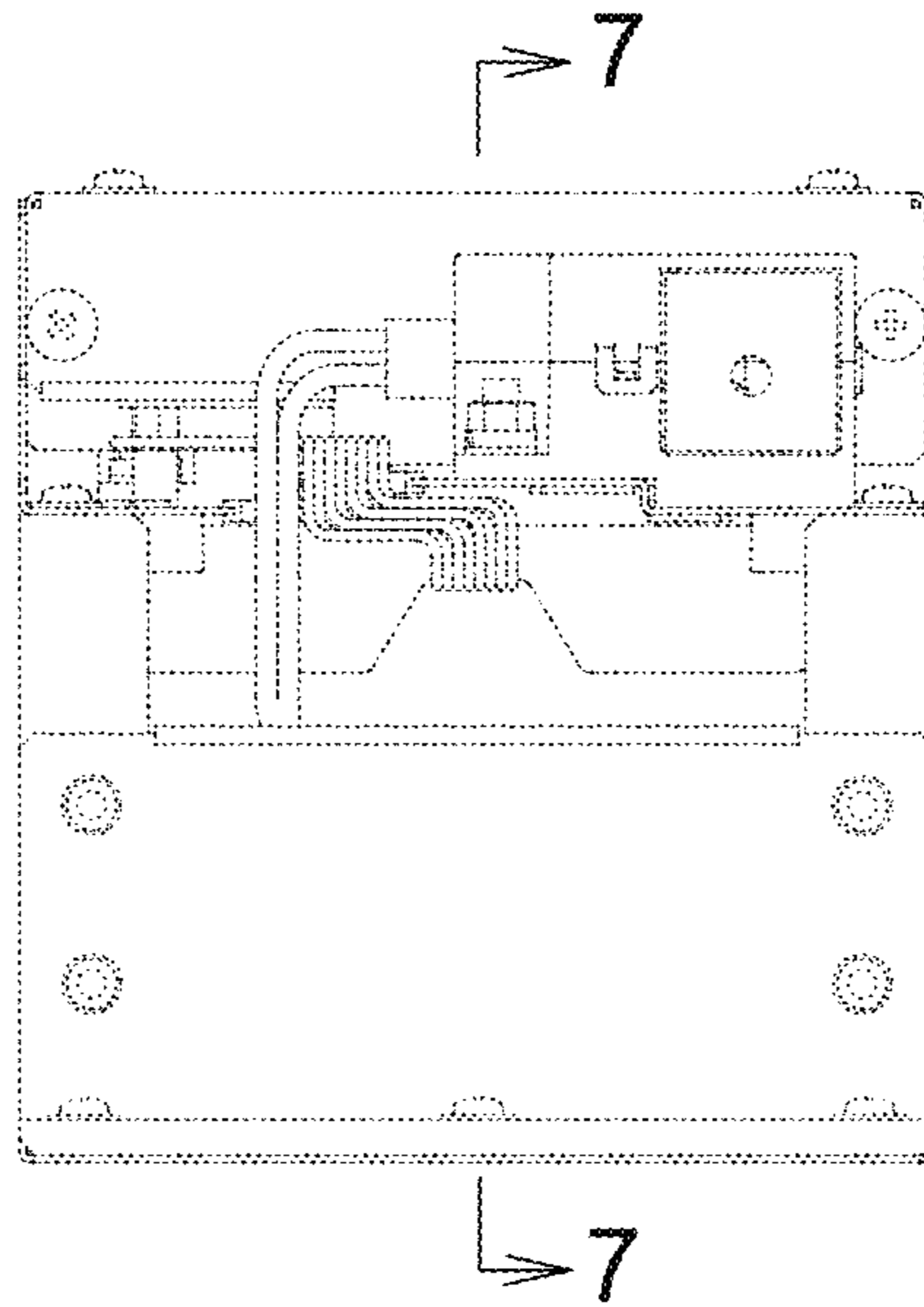


Fig.4

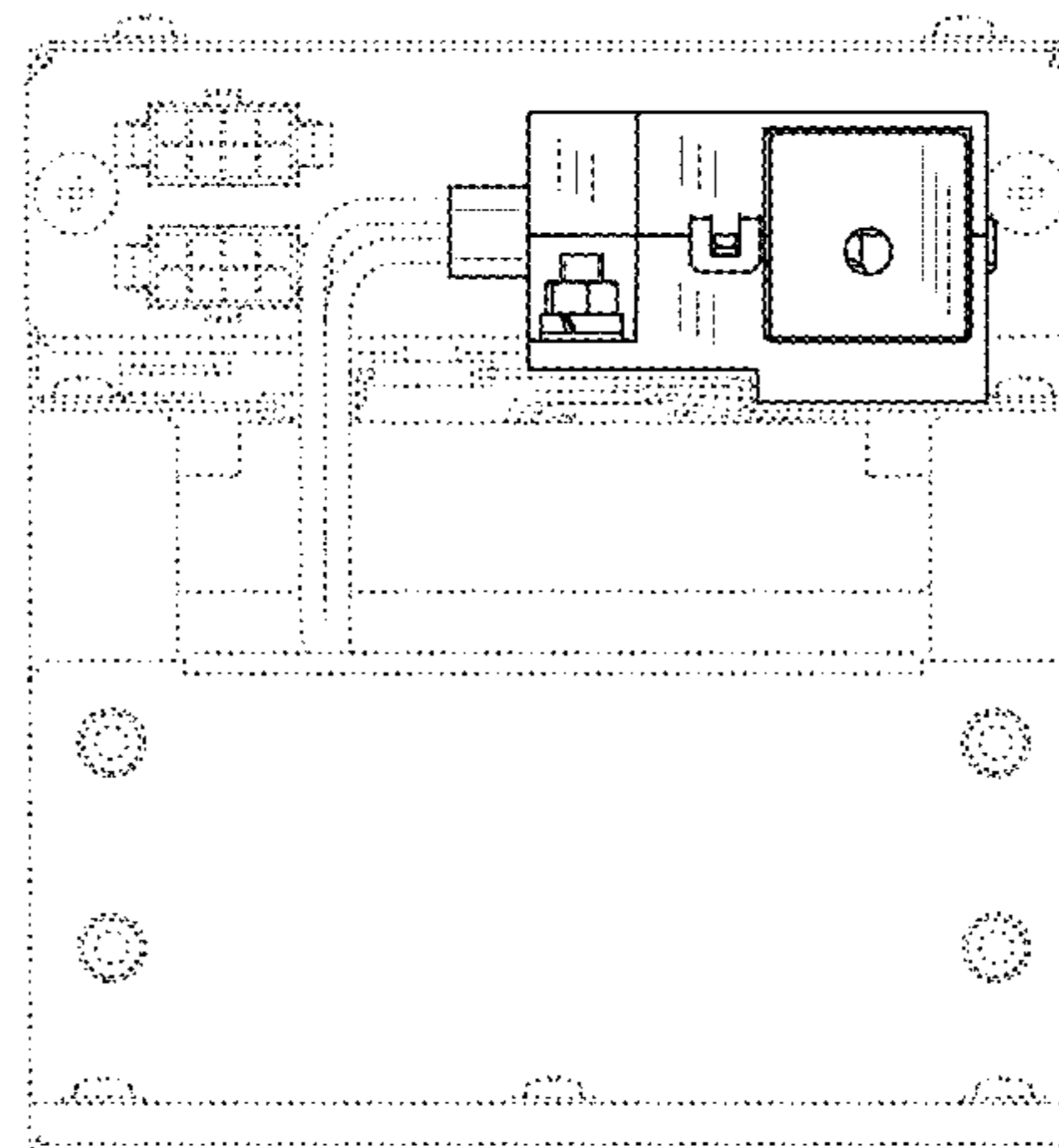


Fig.5



Fig.6



Fig.7

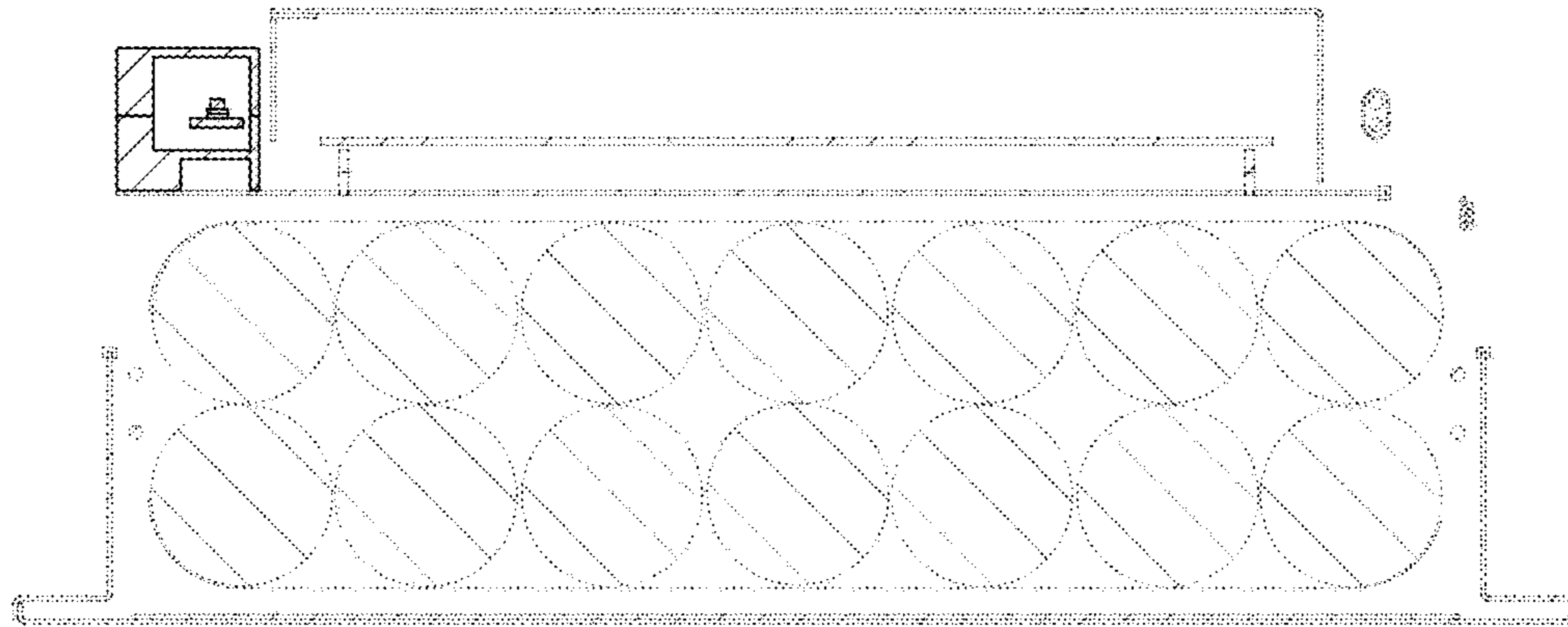


Fig.8

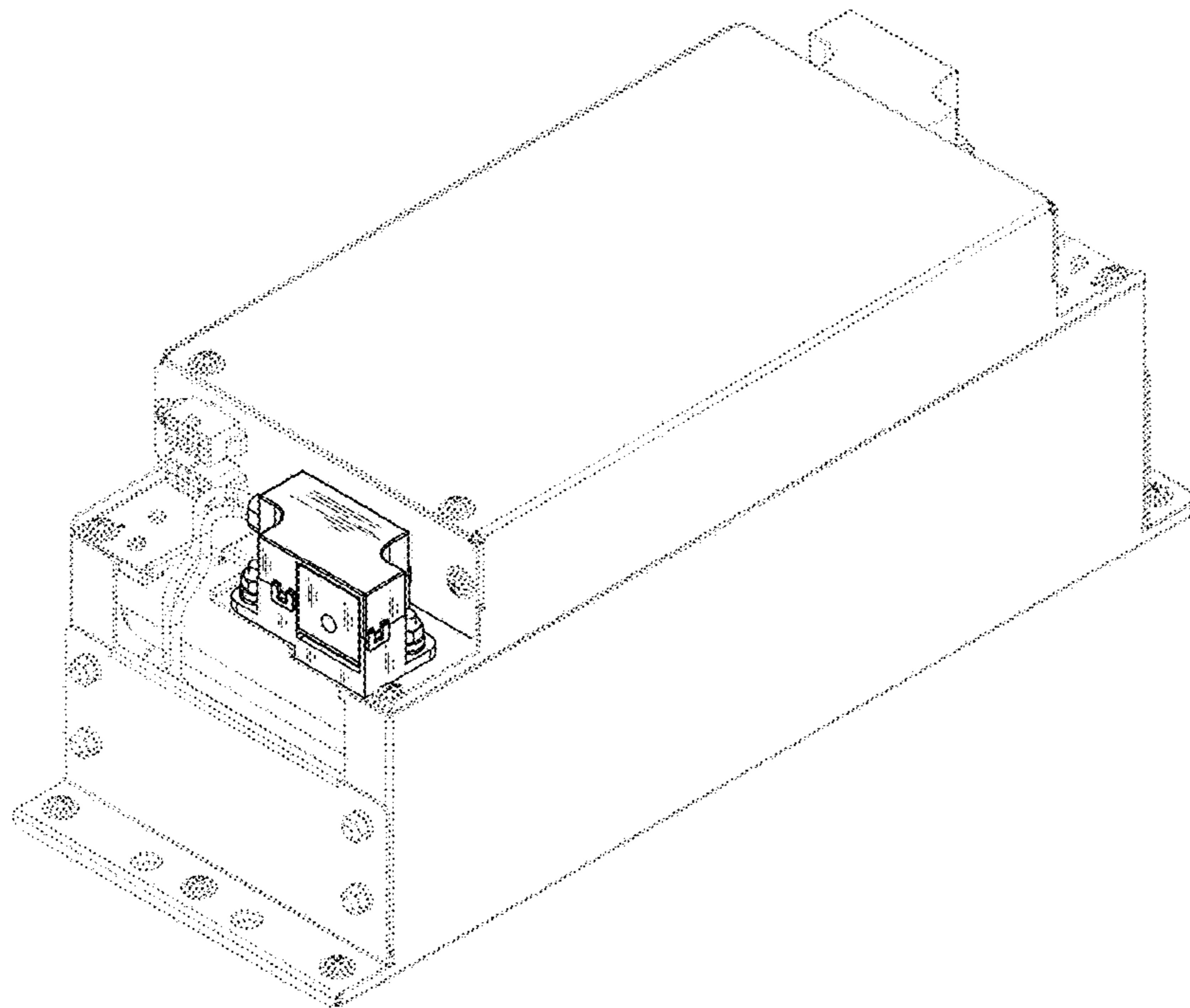


Fig.9

