



US00D827569S

(12) **United States Design Patent**  
**Roberts**

(10) **Patent No.:** **US D827,569 S**

(45) **Date of Patent:** **\*\* Sep. 4, 2018**

(54) **PORTABLE POWER BANK**

(71) Applicant: **James Roberts**, St Martin (JE)

(72) Inventor: **James Roberts**, St Martin (JE)

(73) Assignee: **Flashbay Electronics Hong Kong Limited**, Hong Kong (HK)

(\*\*) Term: **15 Years**

(21) Appl. No.: **29/614,074**

(22) Filed: **Aug. 16, 2017**

(51) **LOC (11) Cl.** ..... **13-02**

(52) **U.S. Cl.**  
USPC ..... **D13/108; D13/103**

(58) **Field of Classification Search**  
USPC ..... D13/102–110, 118, 119, 184, 199;  
D14/356, 432

See application file for complete search history.

(56) **References Cited**

**U.S. PATENT DOCUMENTS**

D797,043 S \* 9/2017 Akana ..... D13/103  
D812,000 S \* 3/2018 Li ..... D13/108

D815,036 S \* 4/2018 Martorell ..... D13/108  
D815,037 S \* 4/2018 Chen ..... D13/108  
D816,607 S \* 5/2018 Roberts ..... D13/108

\* cited by examiner

*Primary Examiner* — Rosemary K Tarcza

*Assistant Examiner* — Christy M Nemeth

(57) **CLAIM**

The ornamental design for a portable power bank, as shown and described.

**DESCRIPTION**

FIG. 1 is a right side view of a portable power bank of my new design, the left side being a mirror image thereof; FIG. 2 is a top plan view, the bottom plan view being a mirror image thereof; FIG. 3 is a rear elevation view thereof; FIG. 4 is a front elevation view thereof; FIG. 5 is a front, right side perspective view thereof; and, FIG. 6 is a rear, right side perspective view thereof.

**1 Claim, 2 Drawing Sheets**

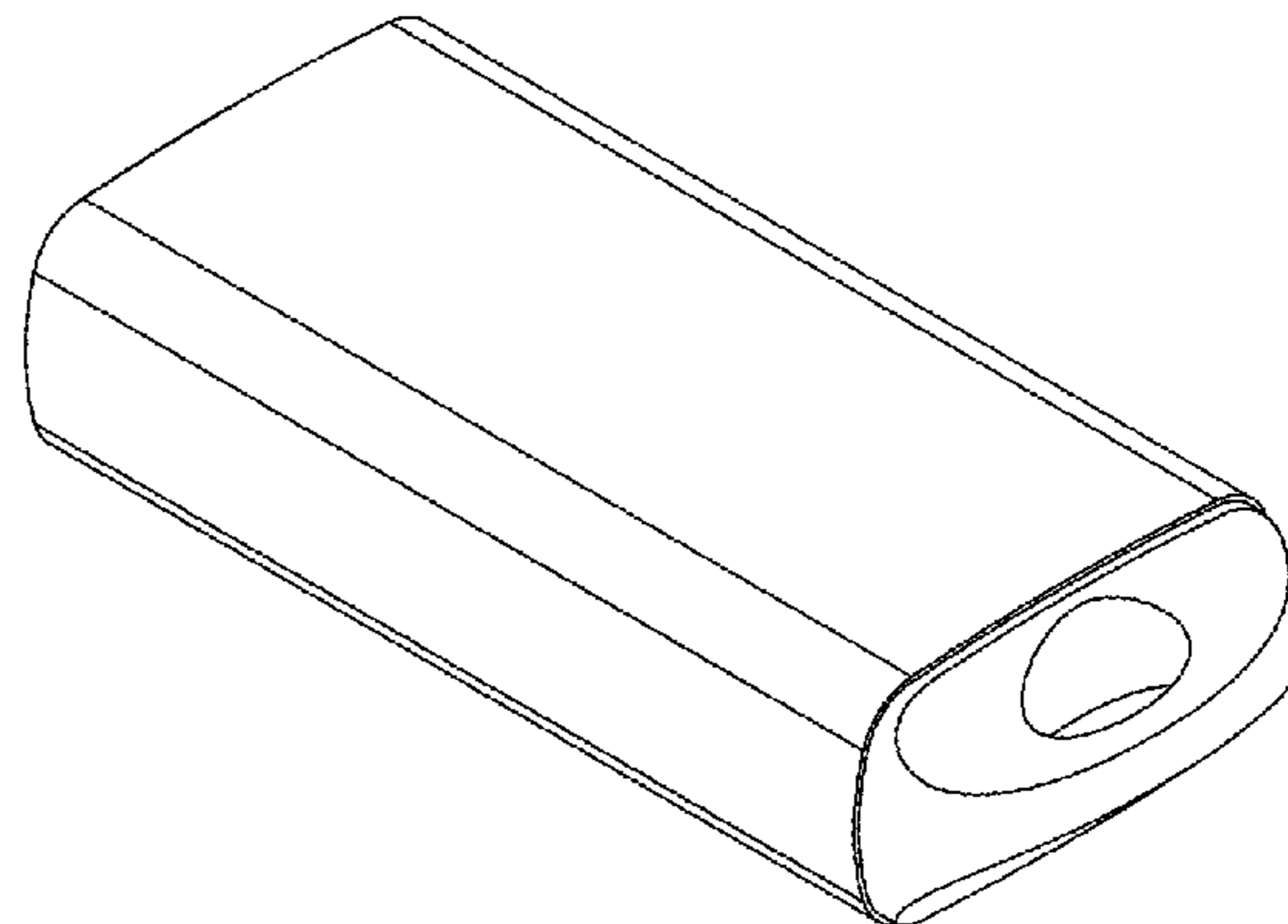
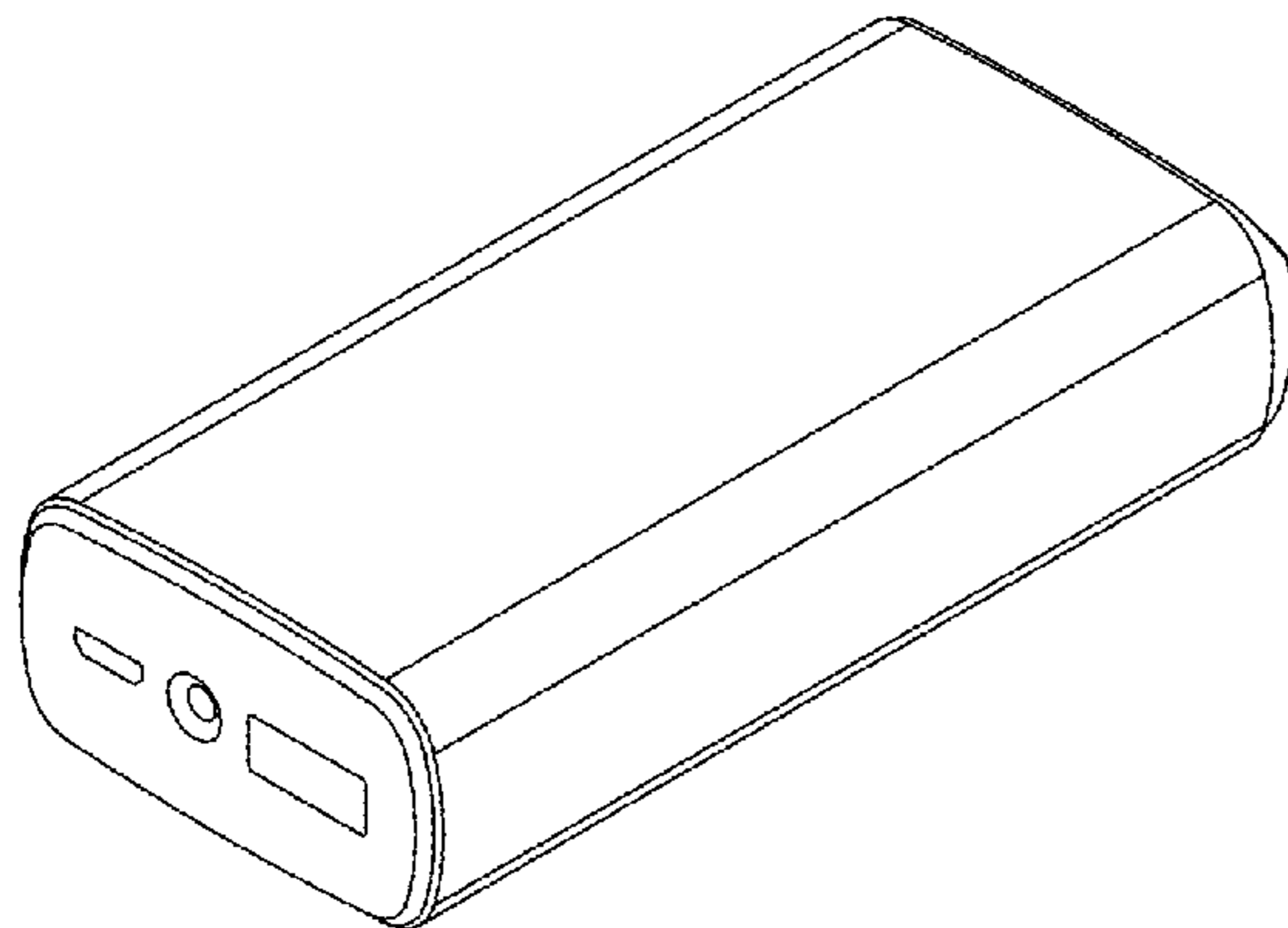


FIG.1

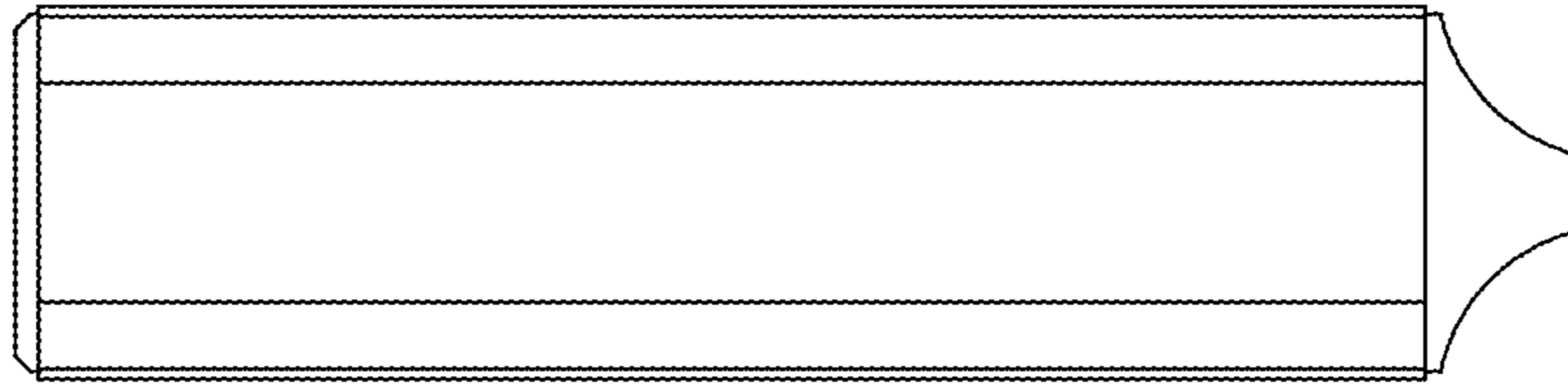


FIG.2

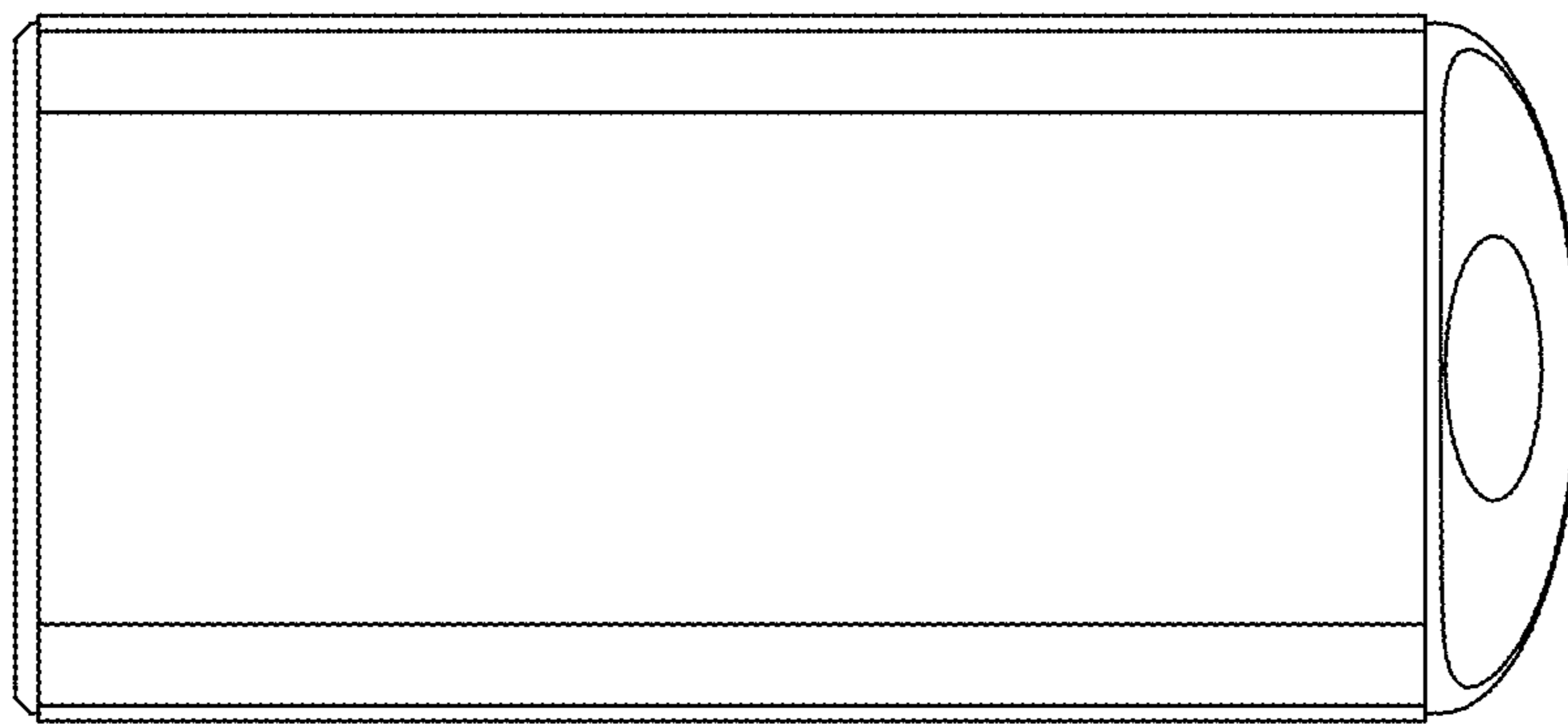


FIG.3

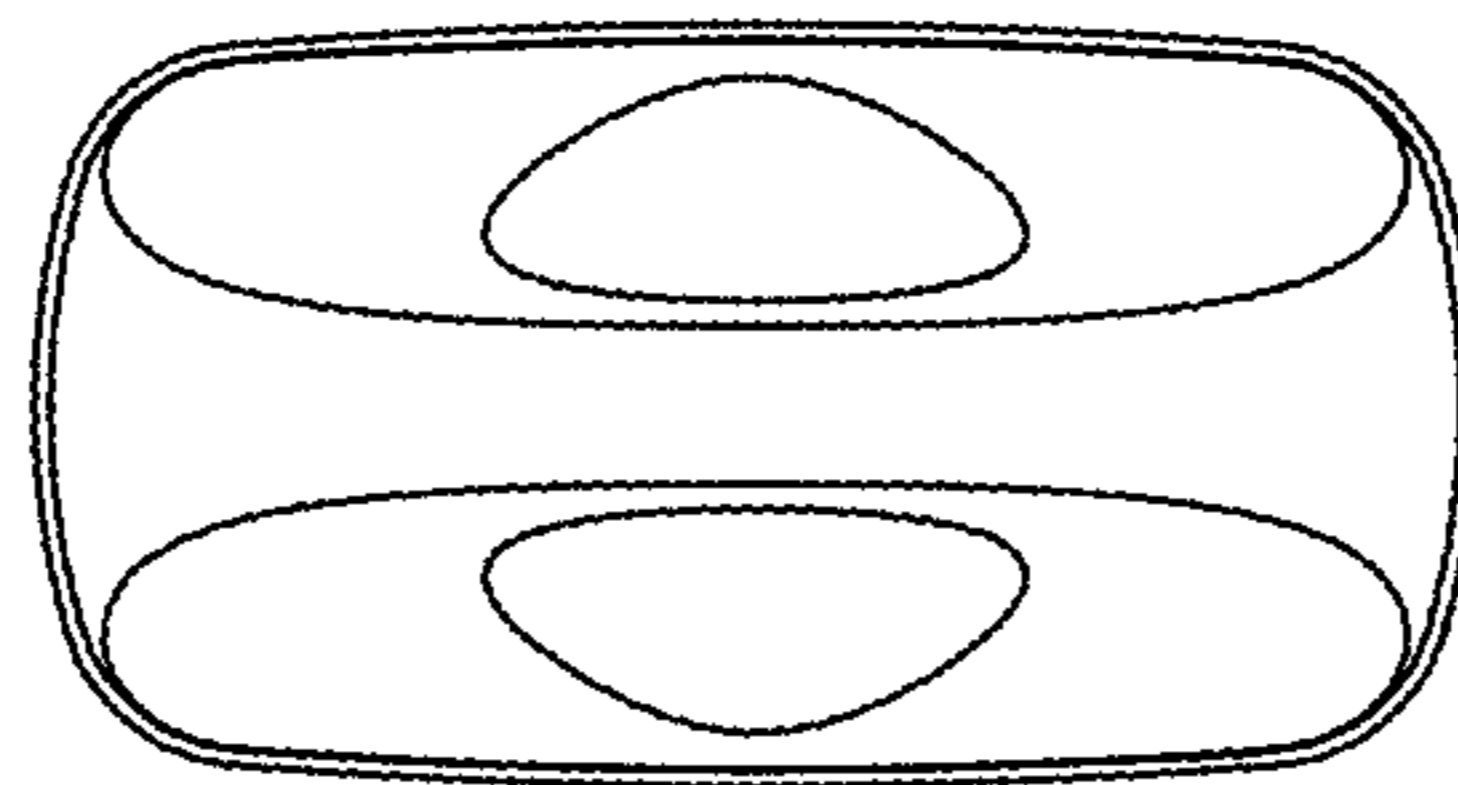


FIG.4

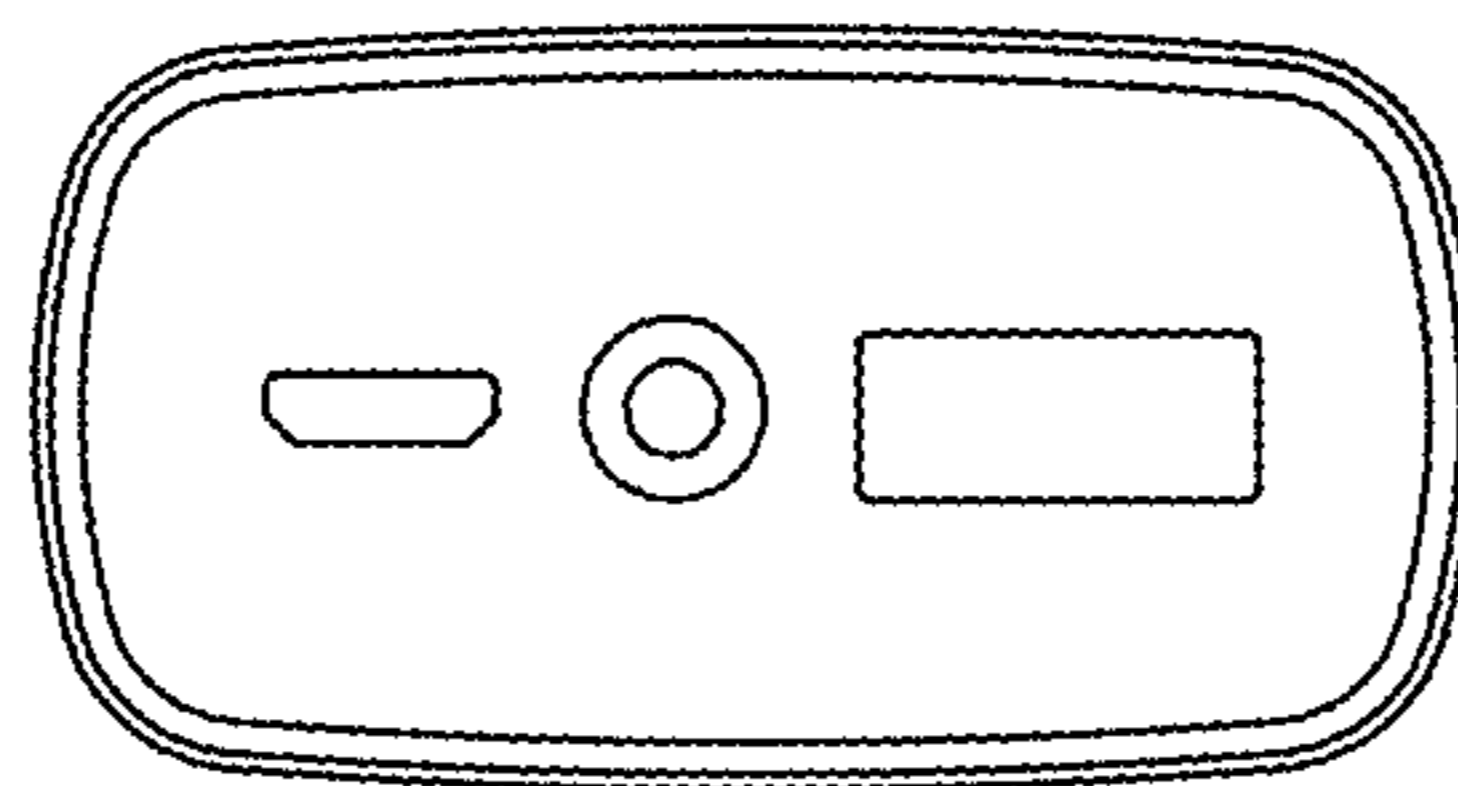


FIG.5

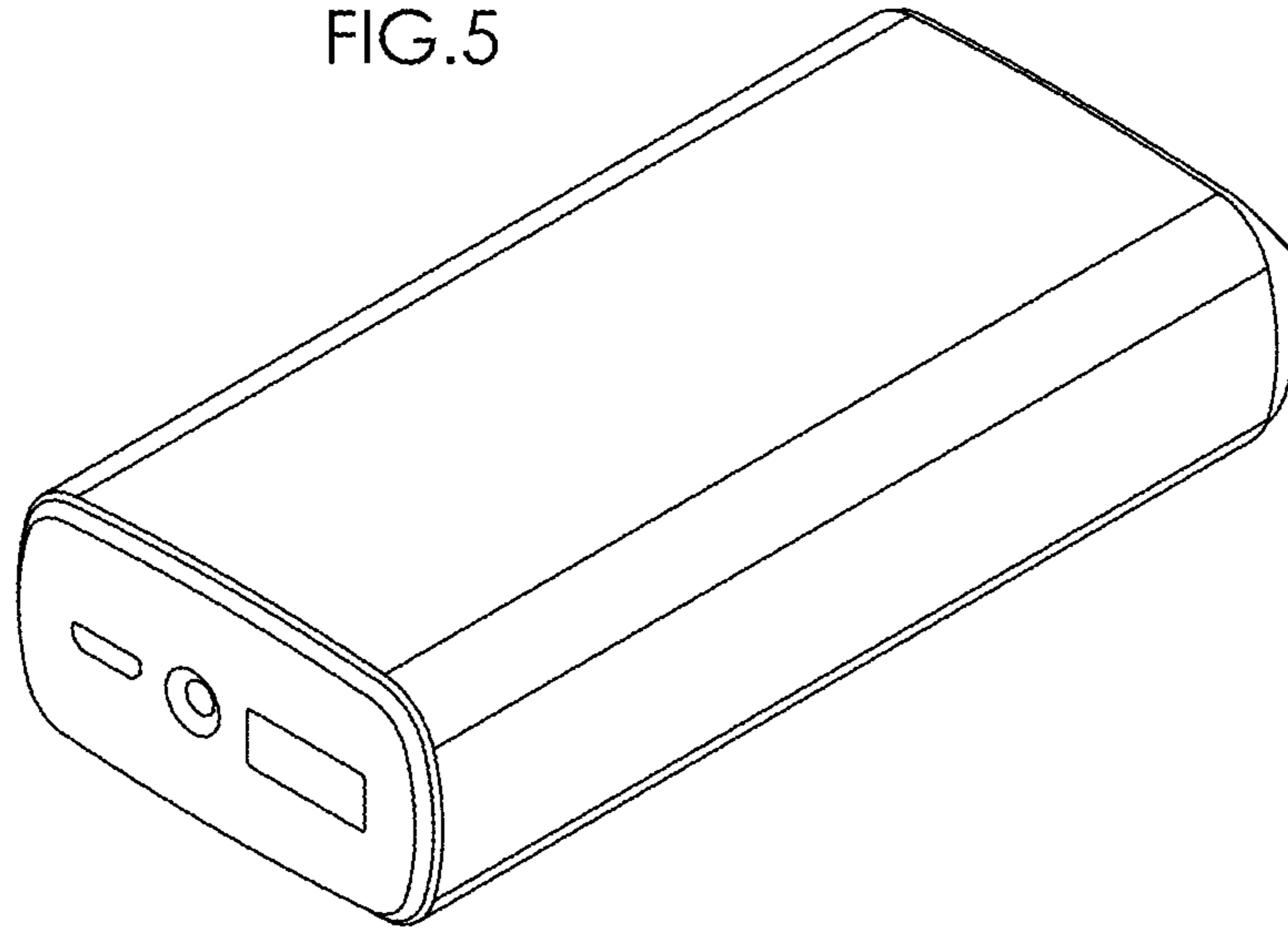


FIG.6

