



US00D827568S

(12) **United States Design Patent**  
**Turksu et al.**

(10) **Patent No.:** **US D827,568 S**

(45) **Date of Patent:** **\*\* Sep. 4, 2018**

(54) **CHARGING STATION FOR ELECTRONIC DEVICES**

(71) Applicant: **SARIANA, LLC**, San Diego, CA (US)

(72) Inventors: **Alan Turksu**, San Diego, CA (US);  
**Mustafa Burak Guclu**, San Diego, CA (US)

(73) Assignee: **SARIANA, LLC**, San Diego, CA (US)

(\*\*) Term: **15 Years**

(21) Appl. No.: **29/609,889**

(22) Filed: **Jul. 6, 2017**

(51) **LOC (11) Cl.** ..... **13-02**

(52) **U.S. Cl.**  
USPC ..... **D13/108**

(58) **Field of Classification Search**  
USPC ..... D13/107-110, 118-119, 184; D14/251,  
D14/253, 432, 434

CPC ..... Y02E 60/12; Y02T 90/14; Y02T 90/122;  
Y02T 90/128; Y02T 90/163; H02J 7/025;  
H02J 7/0042; H02J 7/0044; H02J 7/0045;  
H02J 7/0003; H01F 38/14; H01R  
13/6675; H01M 2/1022; H01M 2/1055;  
H01M 10/44; H01M 10/46; H01M  
10/425; B60L 11/182

See application file for complete search history.

(56) **References Cited**

**U.S. PATENT DOCUMENTS**

D395,280 S \* 6/1998 Phelps ..... D13/108  
D432,496 S \* 10/2000 Collins ..... D13/108

D554,115 S \* 10/2007 Liu ..... D13/108  
D691,947 S \* 10/2013 Cole ..... D13/108  
D743,924 S \* 11/2015 Hillenmayer ..... D14/142  
D751,564 S \* 3/2016 Hahn ..... D14/447  
D772,216 S \* 11/2016 Lau ..... D13/108  
D780,186 S \* 2/2017 Lee ..... D14/253  
D795,876 S \* 8/2017 Fletcher ..... D14/434  
D799,464 S \* 10/2017 Zaihui ..... D14/252  
D813,805 S \* 3/2018 Zhong ..... D13/108  
D814,413 S \* 4/2018 Zhong ..... D13/108  
D816,030 S \* 4/2018 Sumida ..... D13/108

\* cited by examiner

*Primary Examiner* — Rosemary K Tarcza

*Assistant Examiner* — Nathaniel D Buckner

(74) *Attorney, Agent, or Firm* — Wagenknecht IP Law Group PC

(57) **CLAIM**

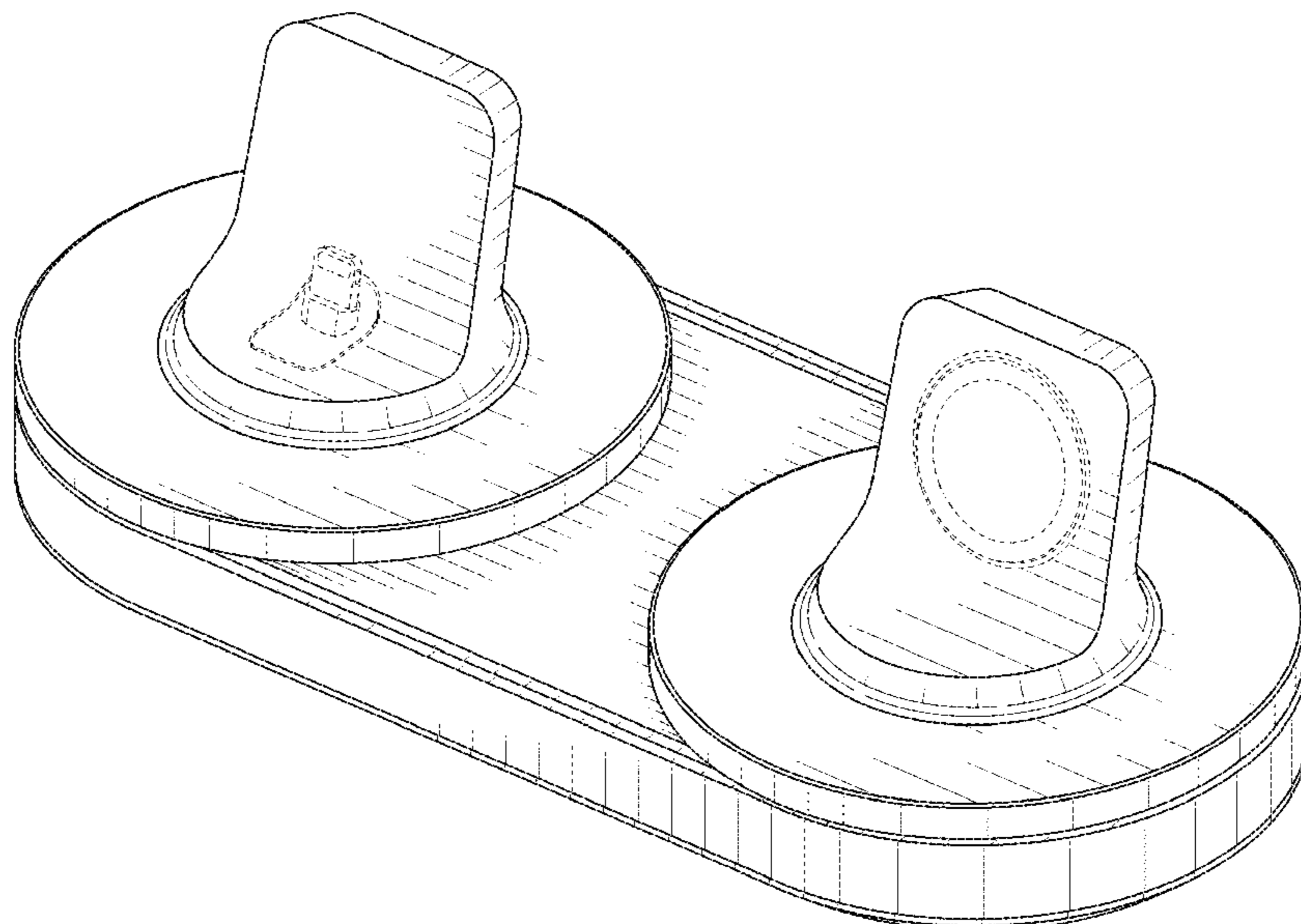
What is claimed is an ornamental design for a charging station for electronic devices, as shown and described.

**DESCRIPTION**

FIG. 1 is a front, top, left perspective view of a charging station for electronic devices showing our new design; FIG. 2 is a front elevational view thereof; FIG. 3 is a rear elevational view thereof; FIG. 4 is a right side elevational view thereof; FIG. 5 is a left side elevational view thereof; FIG. 6 is a top plan view thereof; FIG. 7 is a bottom plan view thereof; and, FIG. 8 is a front, top, left perspective view thereof shown in an alternate position of use.

The broken lines in the figures depict portions of the article which form no part of the claimed design.

**1 Claim, 4 Drawing Sheets**



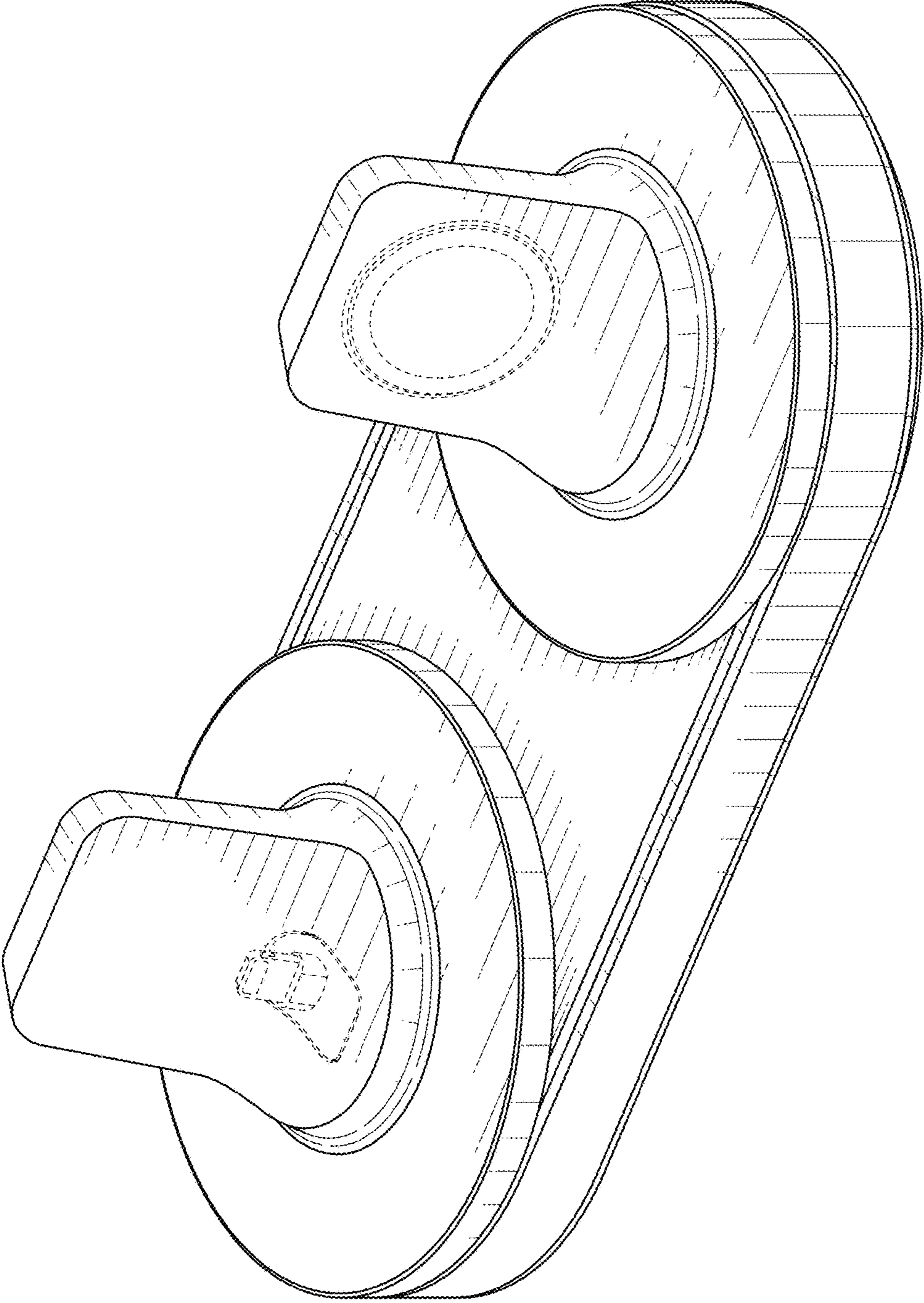


FIG. 1

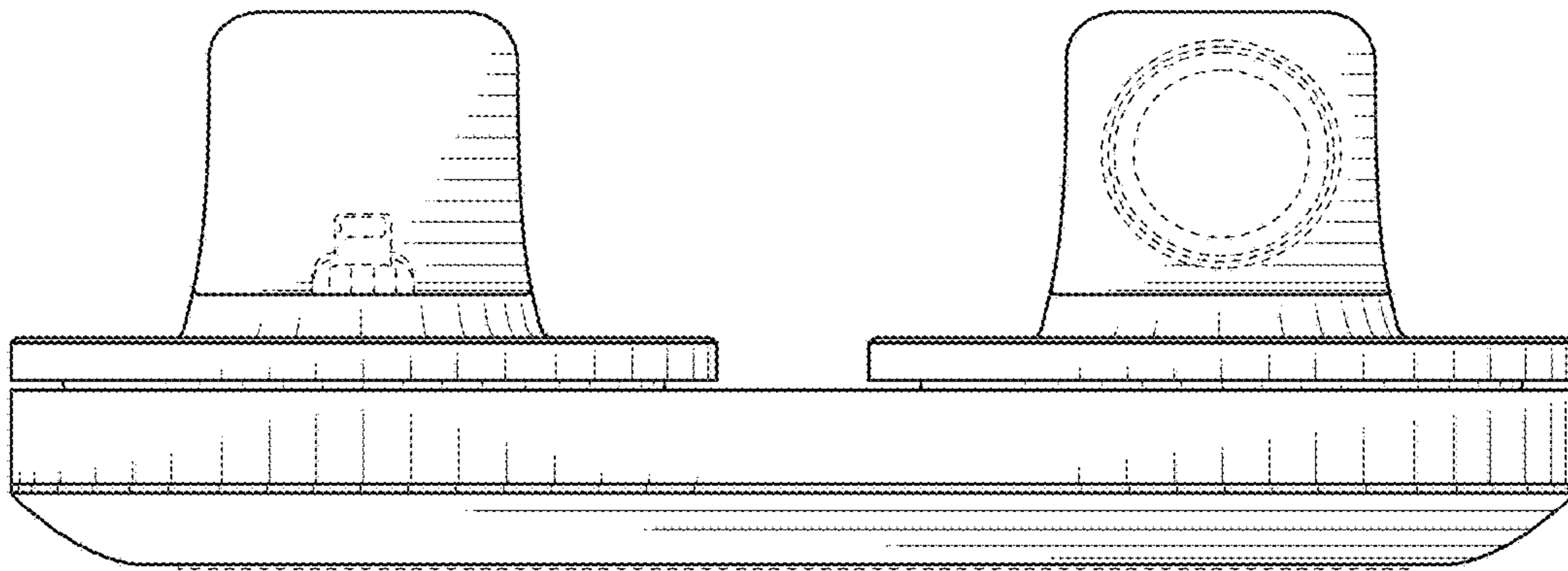


FIG. 2

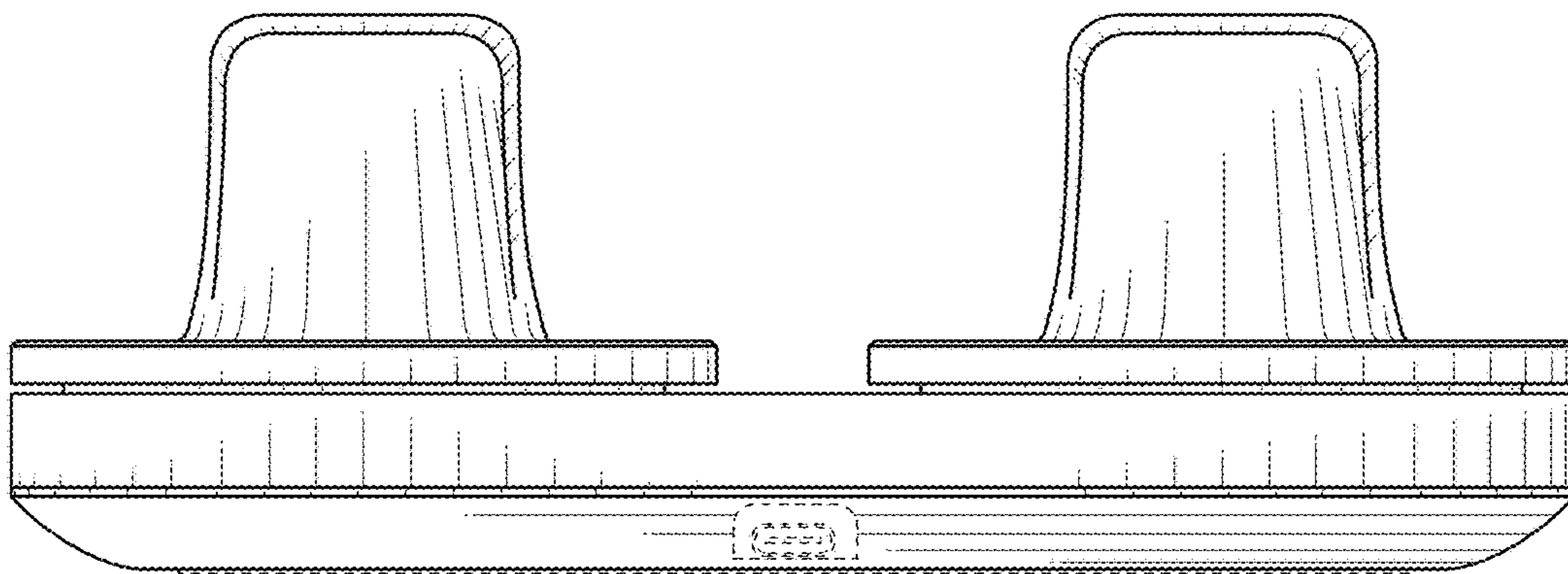


FIG. 3

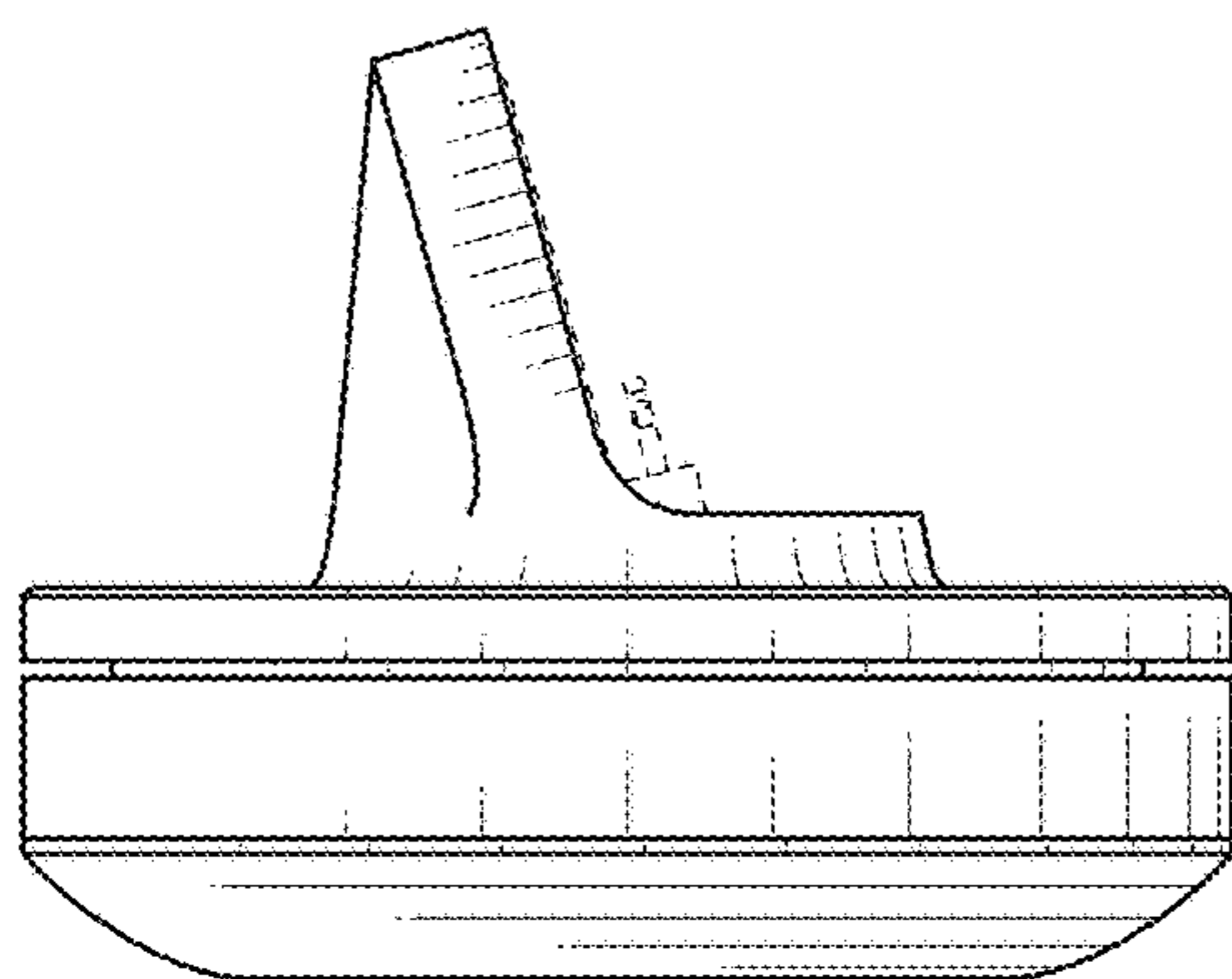


FIG. 4

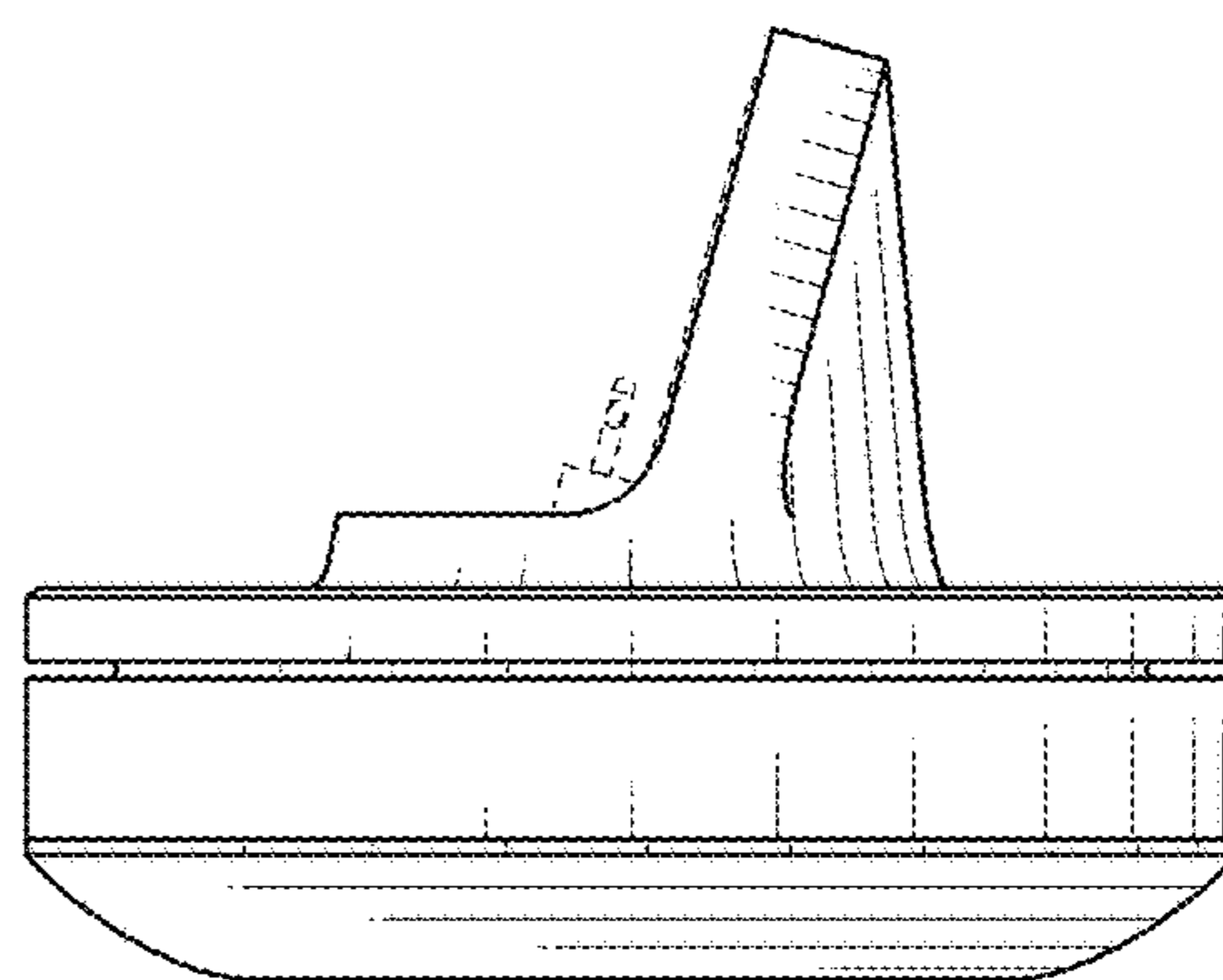


FIG. 5



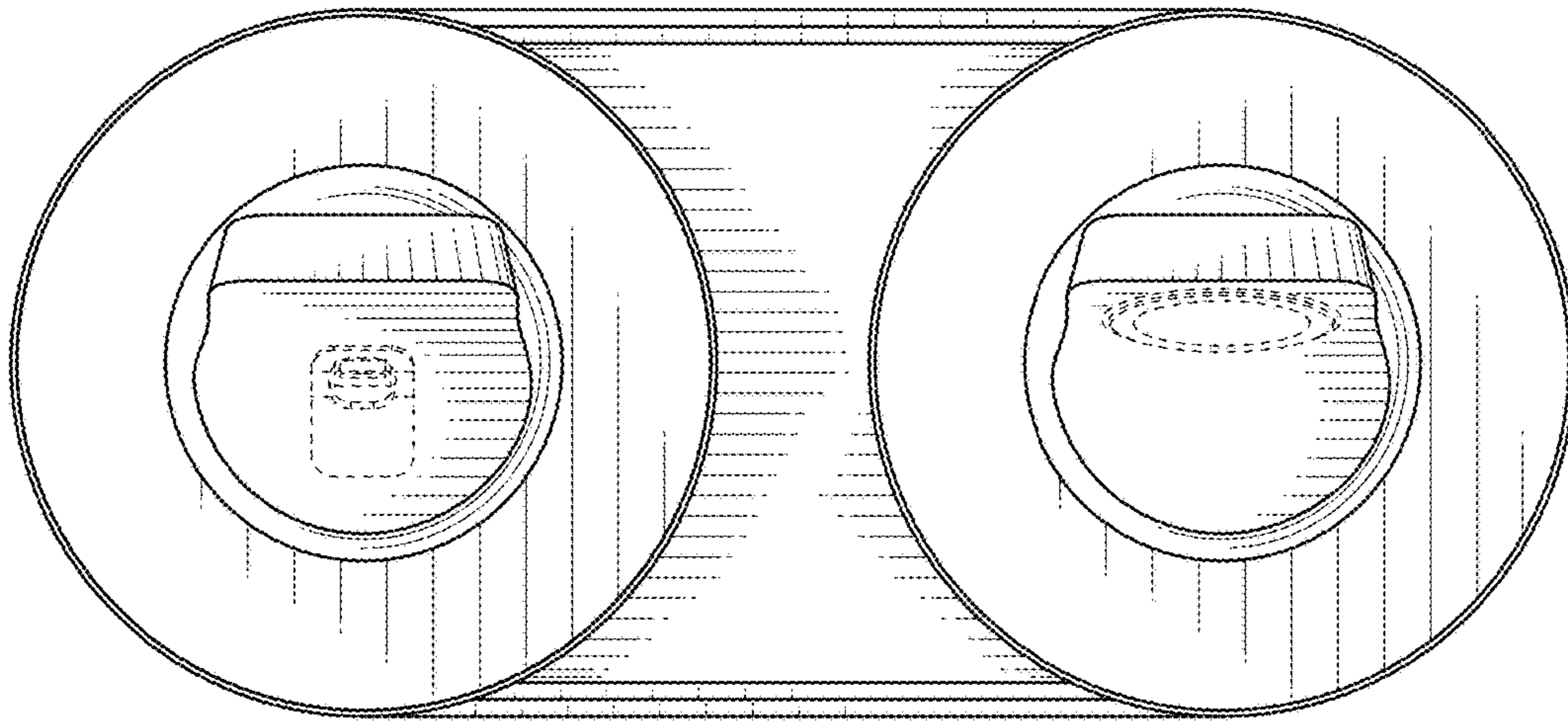


FIG. 6

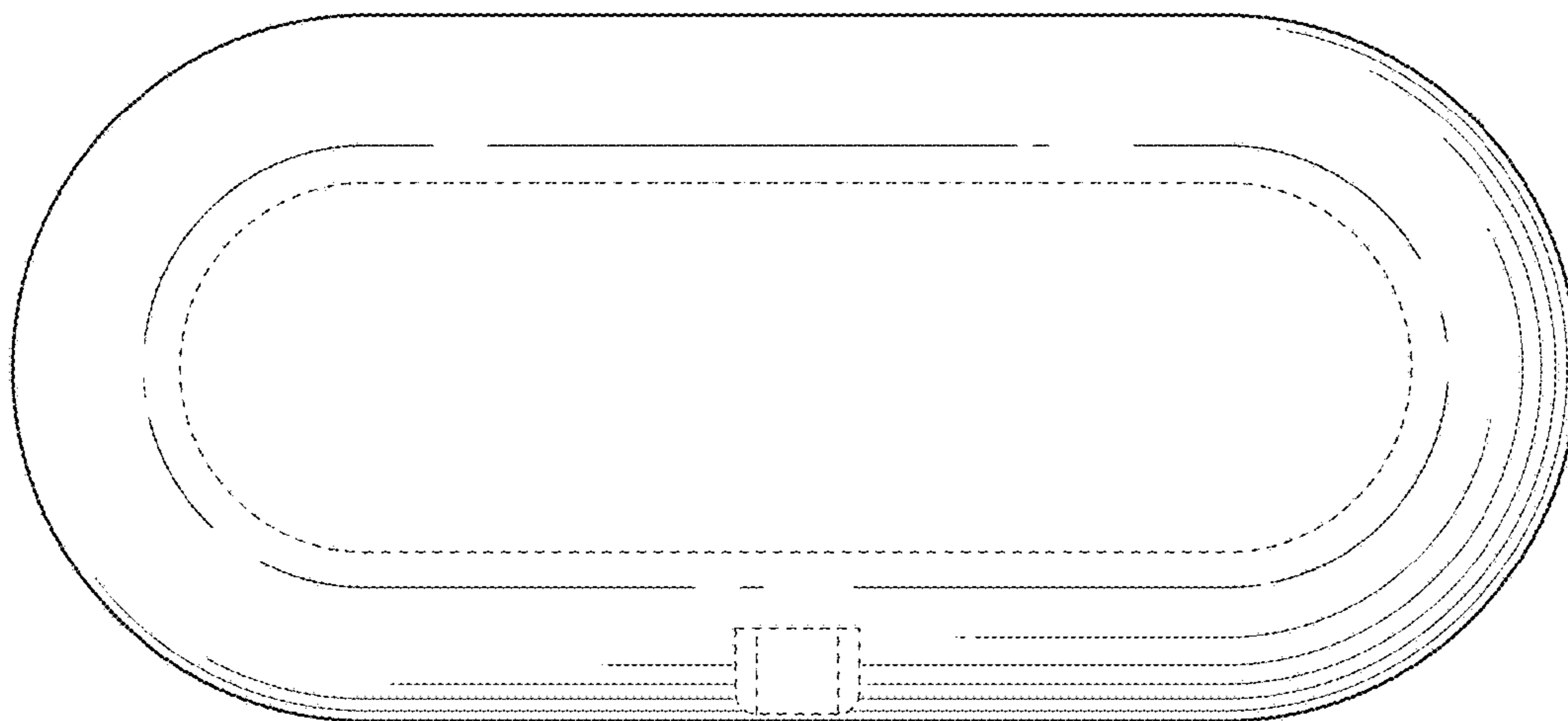


FIG. 7

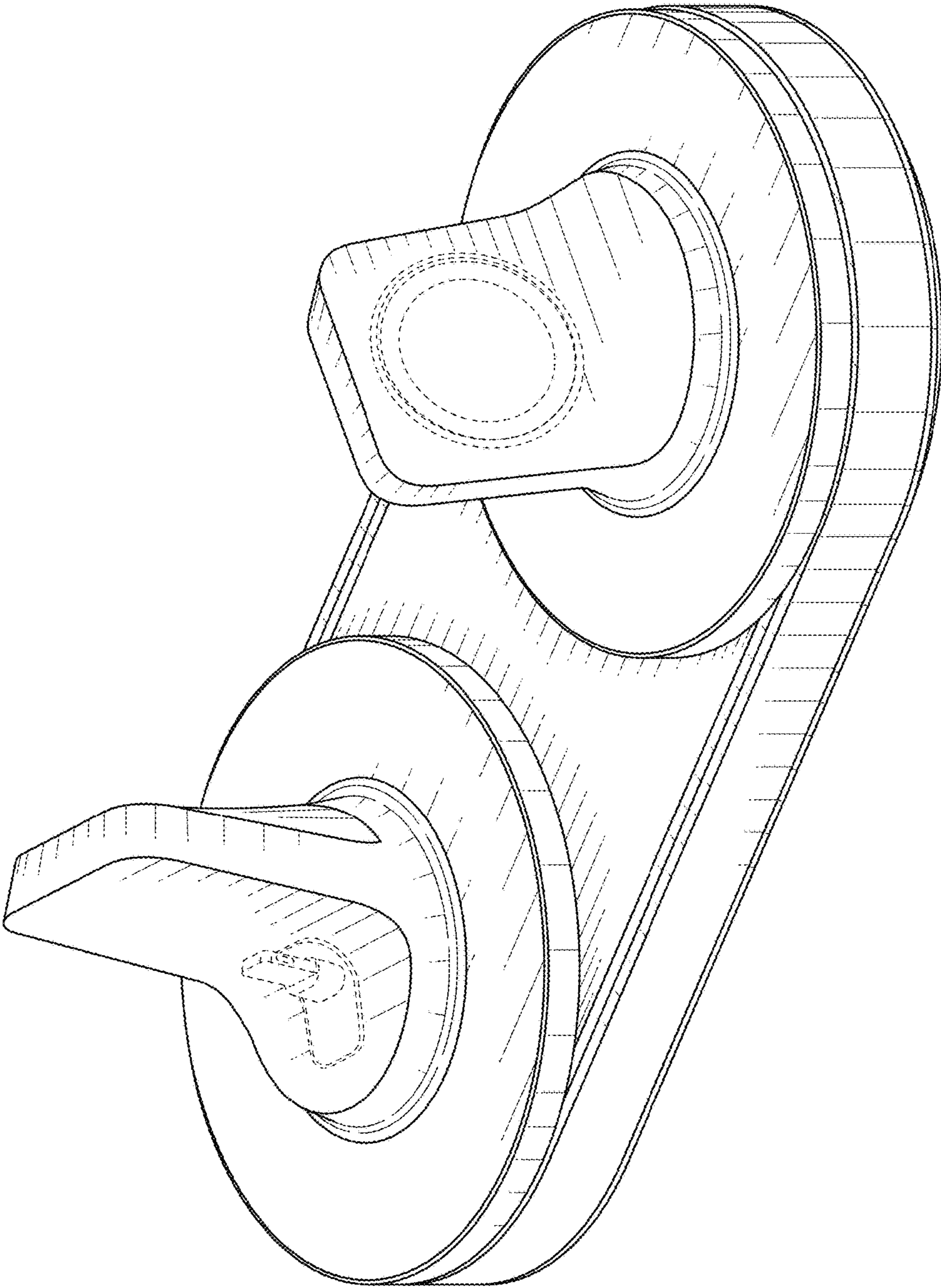


FIG. 8