



US00D827565S

(12) **United States Design Patent**
Eliyahu

(10) **Patent No.:** **US D827,565 S**

(45) **Date of Patent:** **** Sep. 4, 2018**

(54) **BATTERY ADAPTER**

(71) Applicant: **Nexark, Inc.**, Los Angeles, CA (US)

(72) Inventor: **Menachem Eliyahu**, Los Angeles, CA (US)

(73) Assignee: **NEXARK, INC.**, Los Angeles, CA (US)

(**) Term: **15 Years**

(21) Appl. No.: **29/552,013**

(22) Filed: **Jan. 19, 2016**

(51) **LOC (11) Cl.** **13-02**

(52) **U.S. Cl.**
USPC **D13/103**

(58) **Field of Classification Search**
USPC D13/102–106, 110, 118–119, 184
CPC Y02E 60/12; Y02E 60/122; Y02E 60/124;
Y02E 60/50; H01M 2/02; H01M 2/022;
H01M 2/0202; H01M 2/0207; H01M
2/0212; H01M 2/1061; H01M 2/1022;
H01M 2/1055; H01M 2/1066; H01M
2/105; H01M 2/204; H01M 2/1016;
H01M 2200/00; H01M 10/4257; H01M
10/0436; H01M 10/48; H01M 10/42
See application file for complete search history.

(56) **References Cited**

U.S. PATENT DOCUMENTS

D518,451 S *	4/2006	Nussberger	D13/184
D522,770 S *	6/2006	Easton	D6/657
D586,151 S *	2/2009	Roberts	D6/667
D600,640 S *	9/2009	Stein	D13/103
D604,725 S *	11/2009	Chen	D13/184
D608,276 S *	1/2010	Takeshita	D13/103
D615,045 S *	5/2010	Lanfeer	D13/162
D654,850 S *	2/2012	Obata	D13/103
D660,798 S *	5/2012	Tseng	D13/110

D665,340 S *	8/2012	Obata	D13/103
D686,981 S *	7/2013	Koyabu	D13/103
D704,184 S *	5/2014	Chen	D14/308
D716,726 S *	11/2014	Workman	D13/110
D719,092 S *	12/2014	Huang	D13/110
D721,328 S *	1/2015	Freeman	D13/110
D731,449 S *	6/2015	Norman	D13/184
D732,472 S *	6/2015	Laffon	D13/110
D735,662 S *	8/2015	Ward	D13/108
D737,758 S *	9/2015	Takeshita	D13/103
D742,817 S *	11/2015	Lammers-Meis	D13/103
D795,215 S *	8/2017	Huang	D13/184

* cited by examiner

Primary Examiner — Rosemary K Tarcza

Assistant Examiner — Nathaniel D. Buckner

(74) *Attorney, Agent, or Firm* — Leason Ellis LLP

(57) **CLAIM**

The ornamental design for a battery adapter, as shown and described.

DESCRIPTION

FIG. 1 is a top, back right-side perspective view of a battery adapter showing my new design, shown in a joined configuration of use;

FIG. 2 is a top, back, right perspective view thereof, shown in a separated configuration of use;

FIG. 3 is a top, front center perspective view thereof;

FIG. 4 is a rear elevation view thereof, shown in a joined configuration of use;

FIG. 5 is a front elevation view thereof;

FIG. 6 is a left side view thereof;

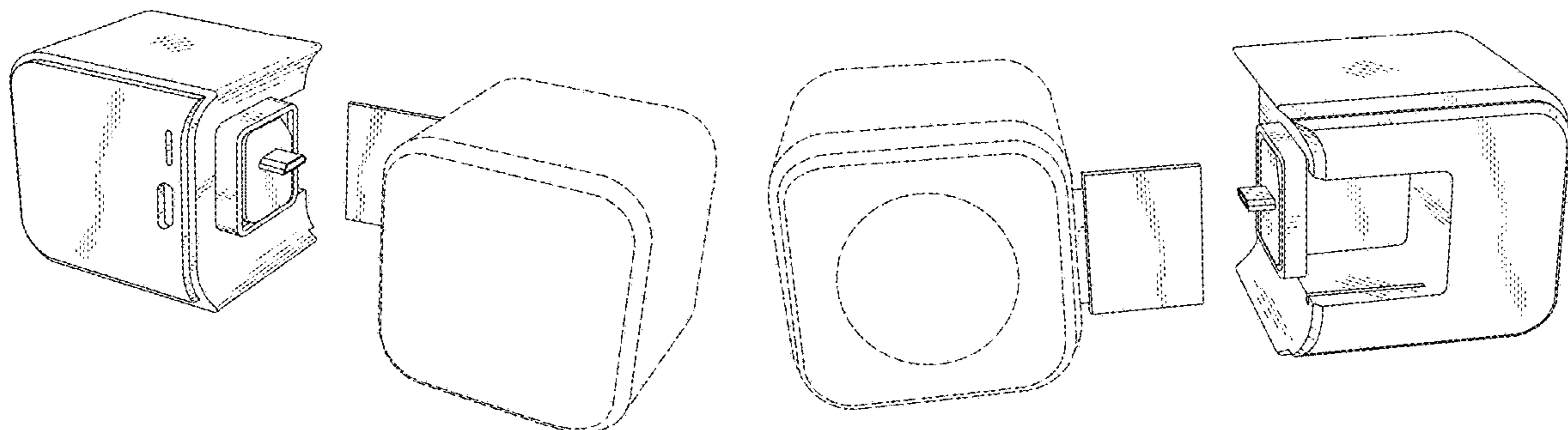
FIG. 7 is a right side view thereof;

FIG. 8 is a top plan thereof; and,

FIG. 9 is a bottom plan view thereof.

The broken lines in the drawings are included for the purpose of illustrating portions of the article and form no part of the claimed design.

1 Claim, 8 Drawing Sheets



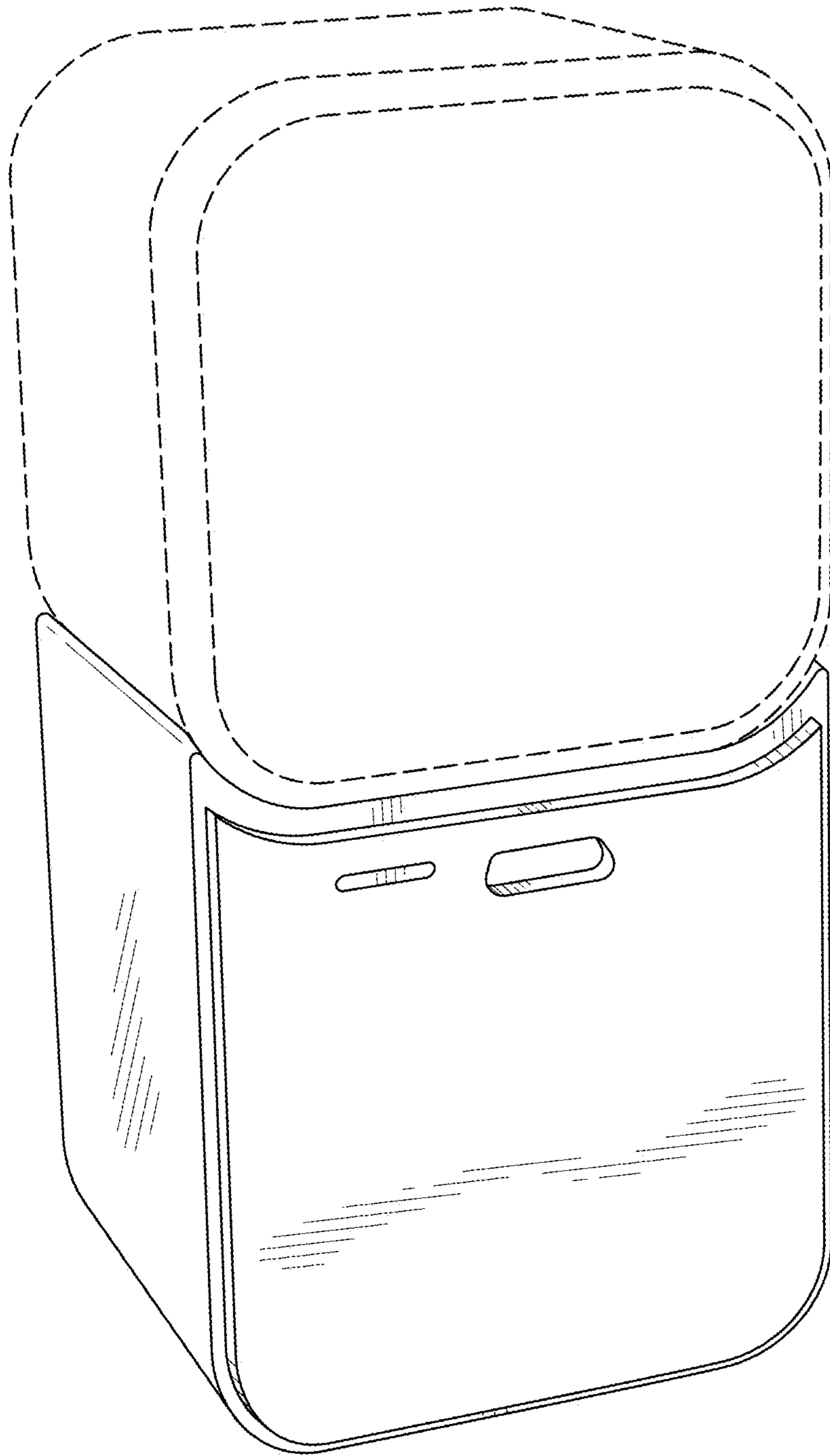


Fig. 1

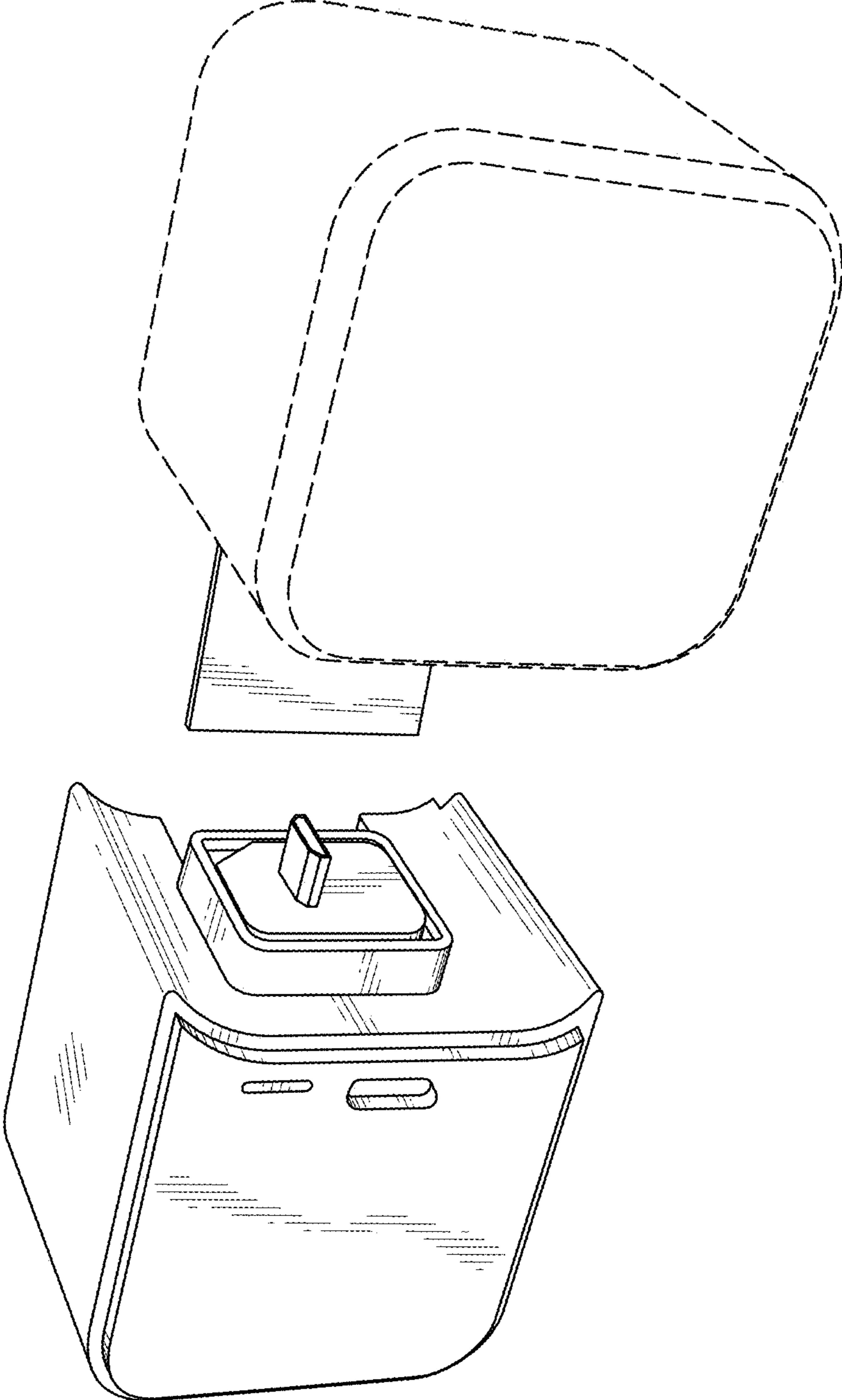


Fig. 2

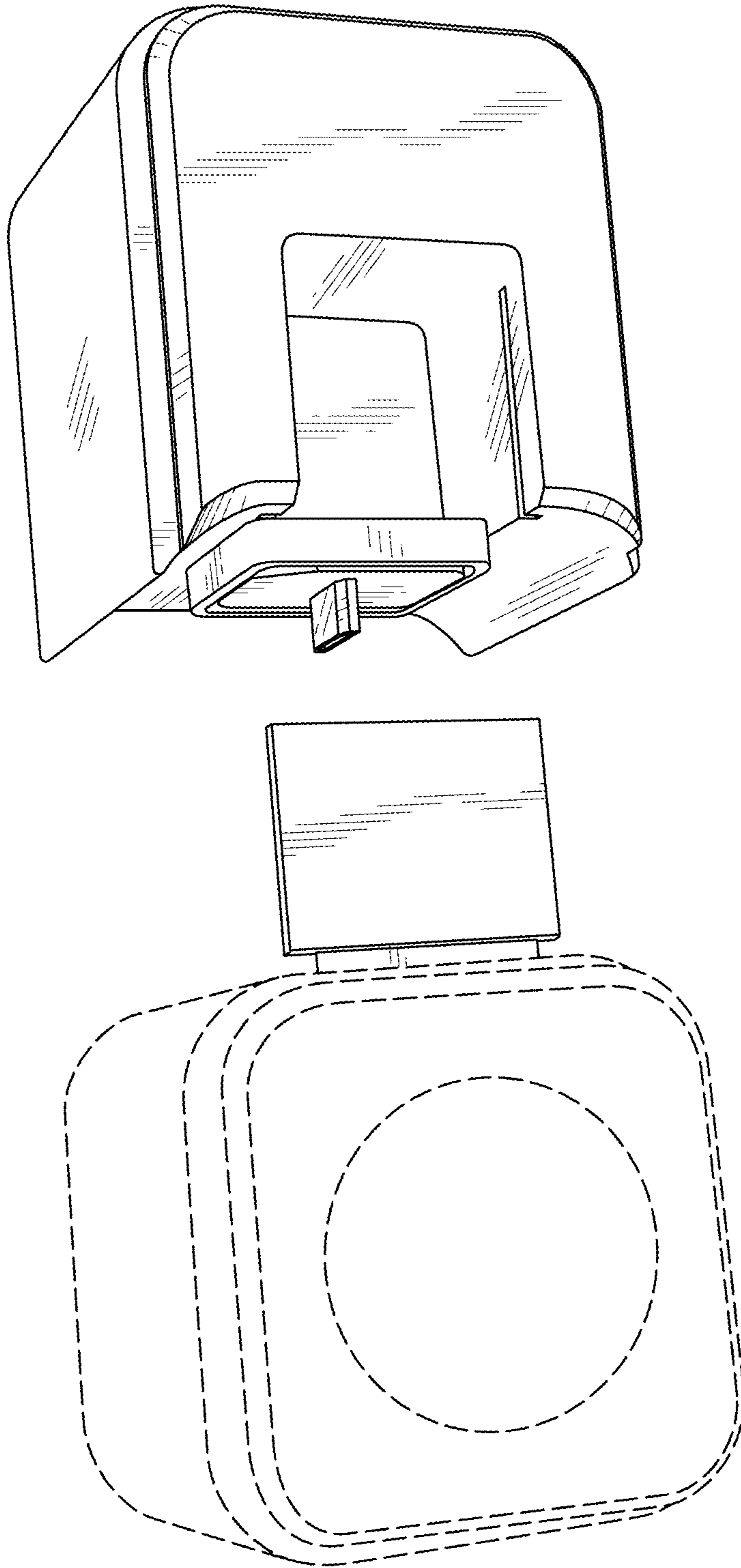


Fig. 3

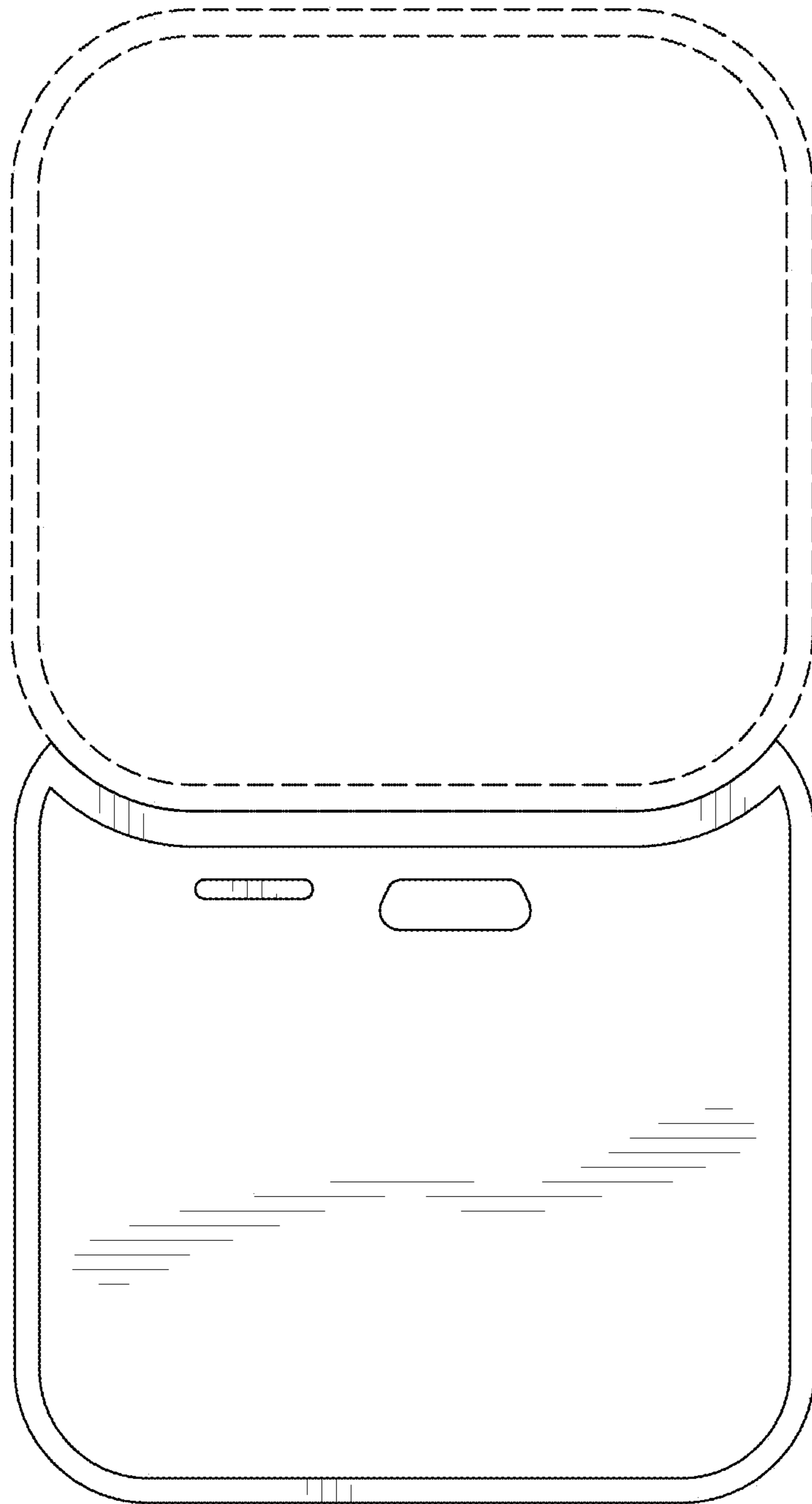


Fig. 4

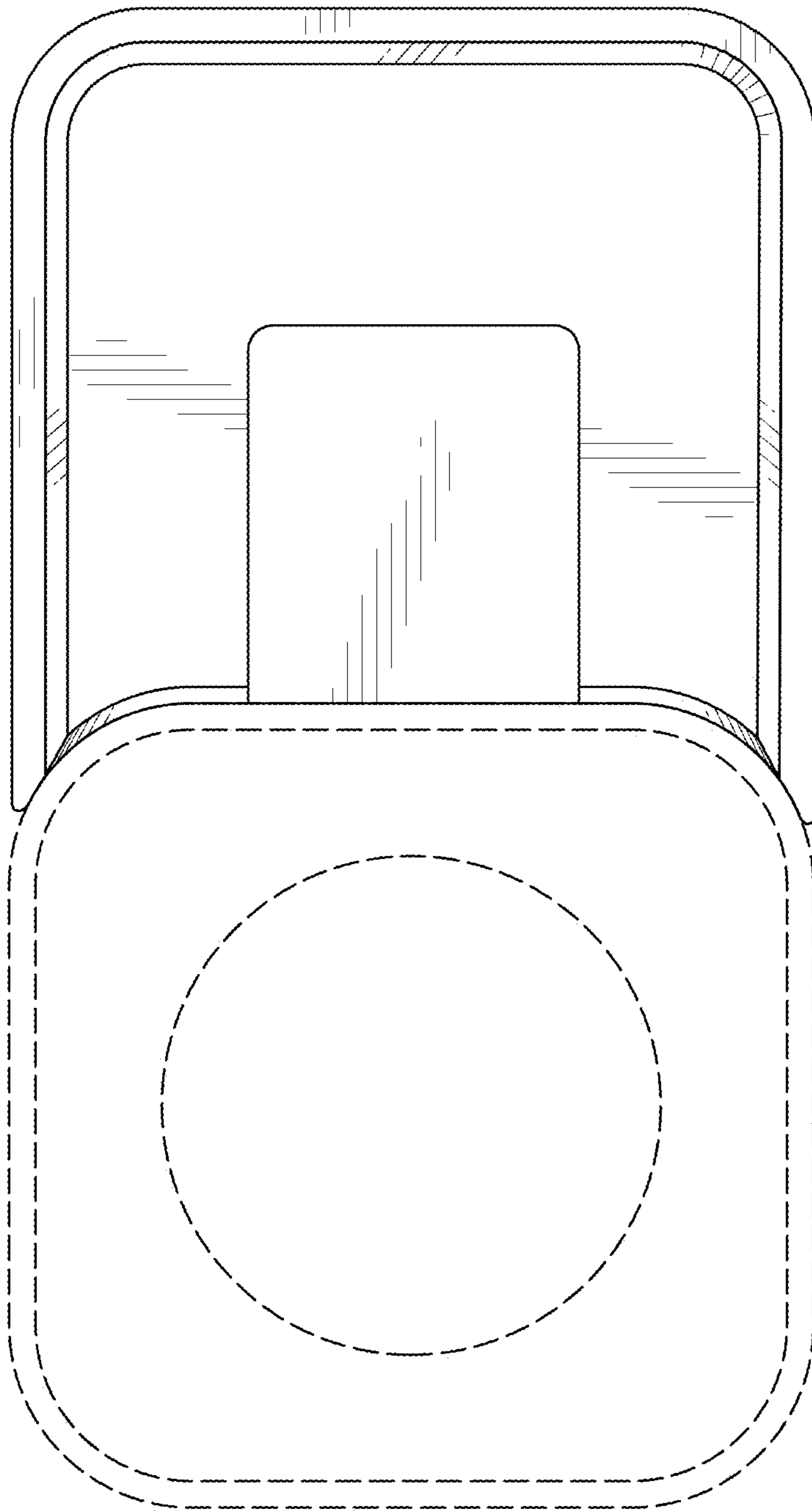


Fig. 5

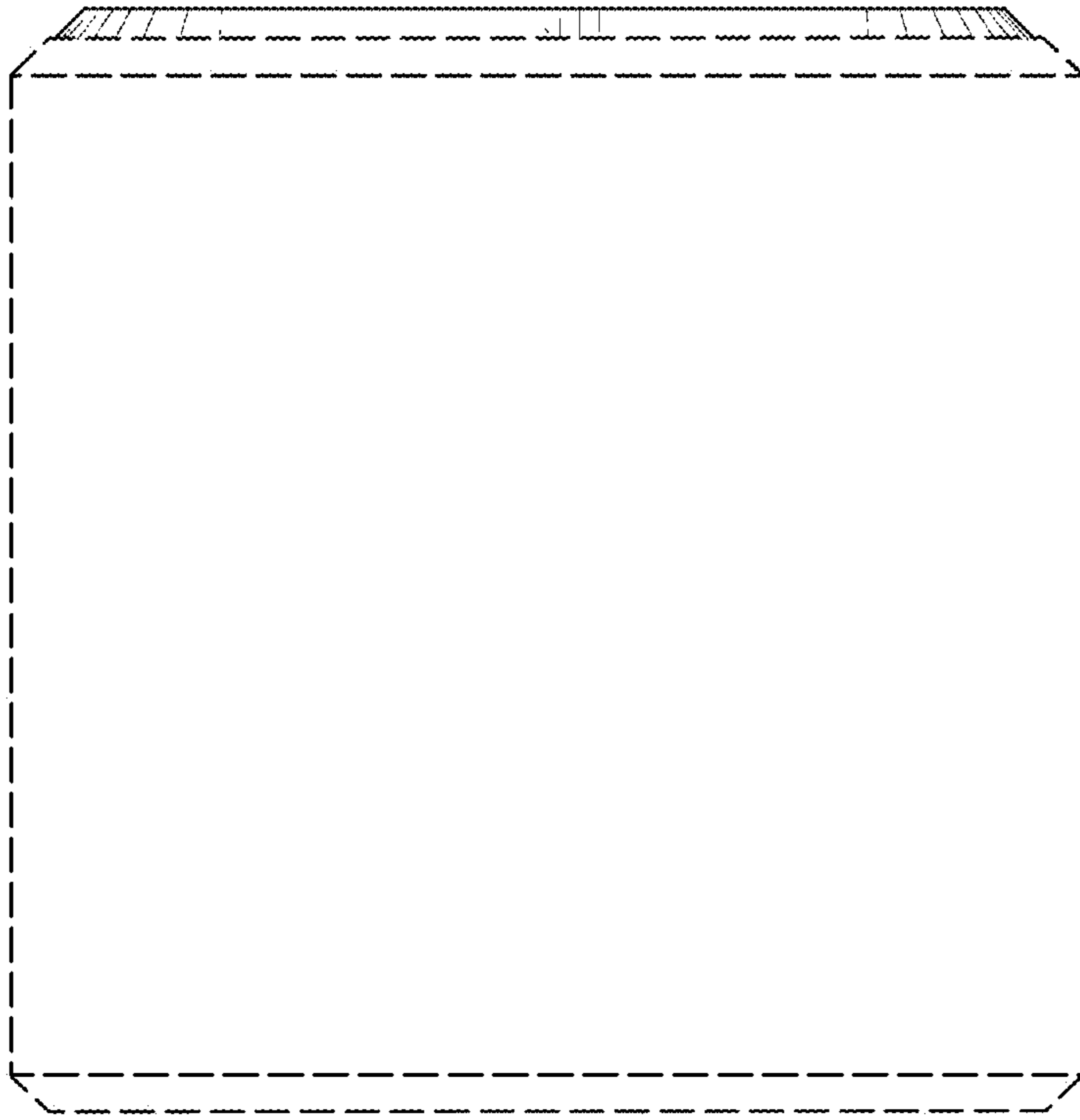


Fig. 7

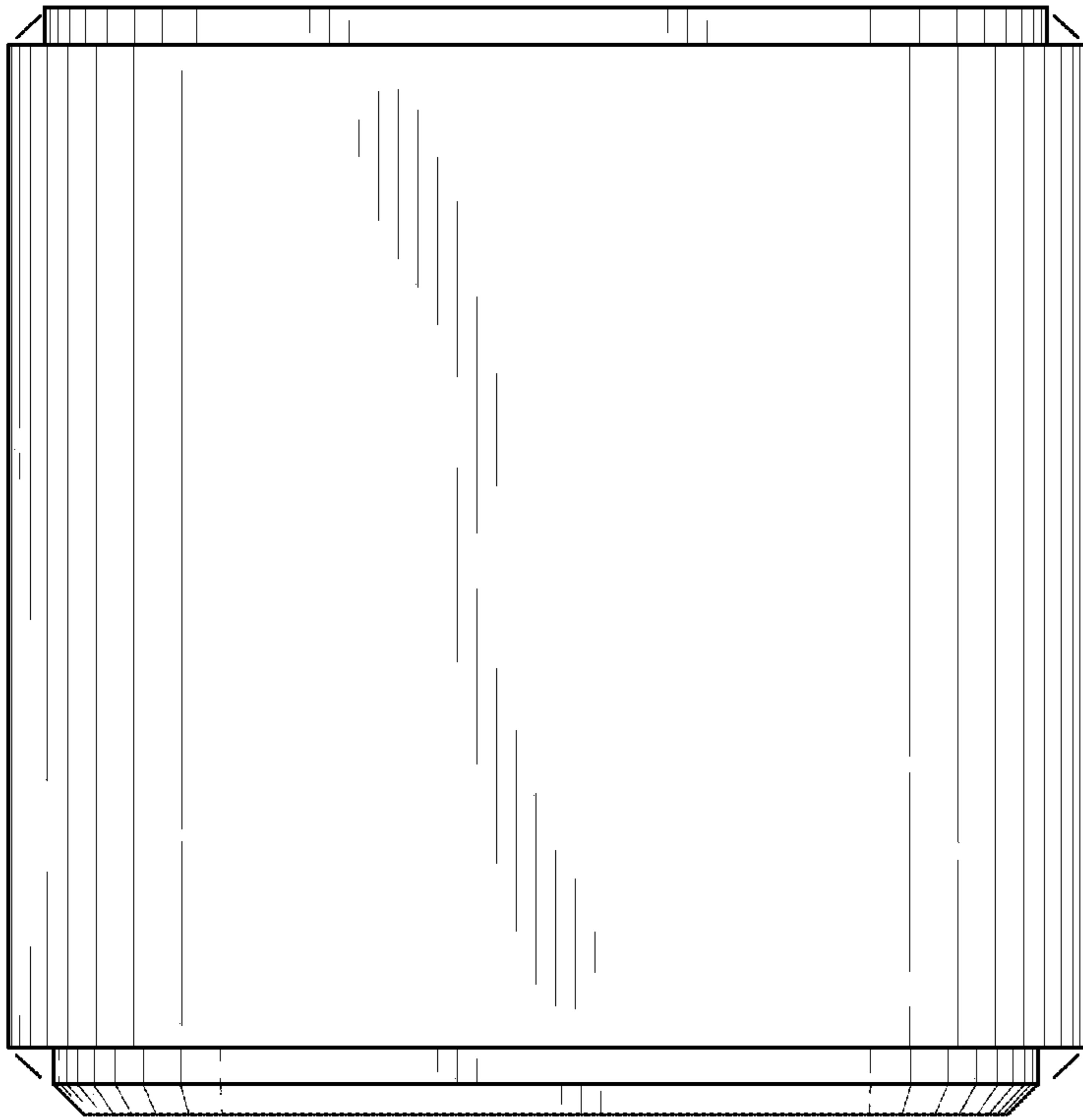


Fig. 6

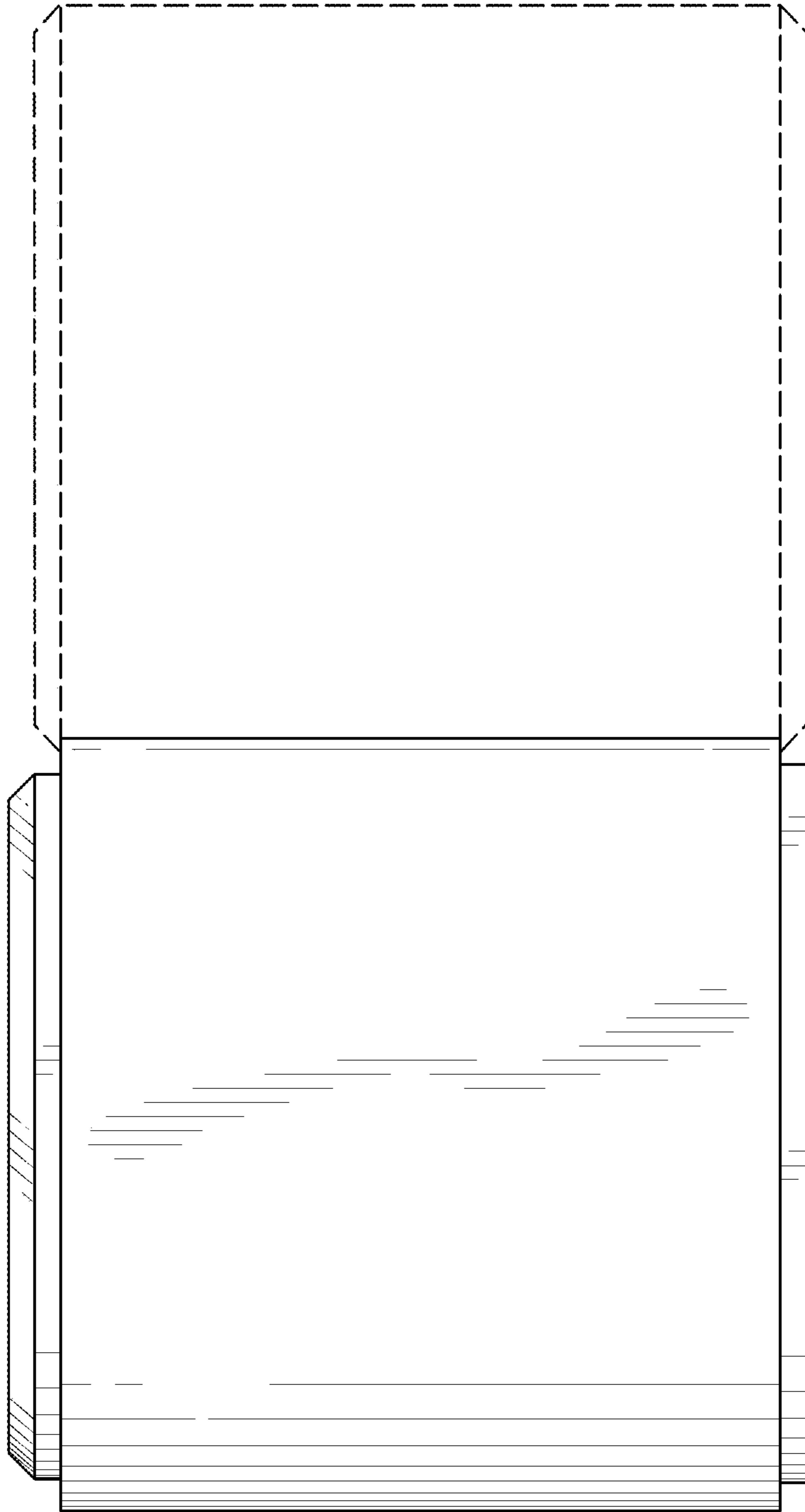


Fig. 8

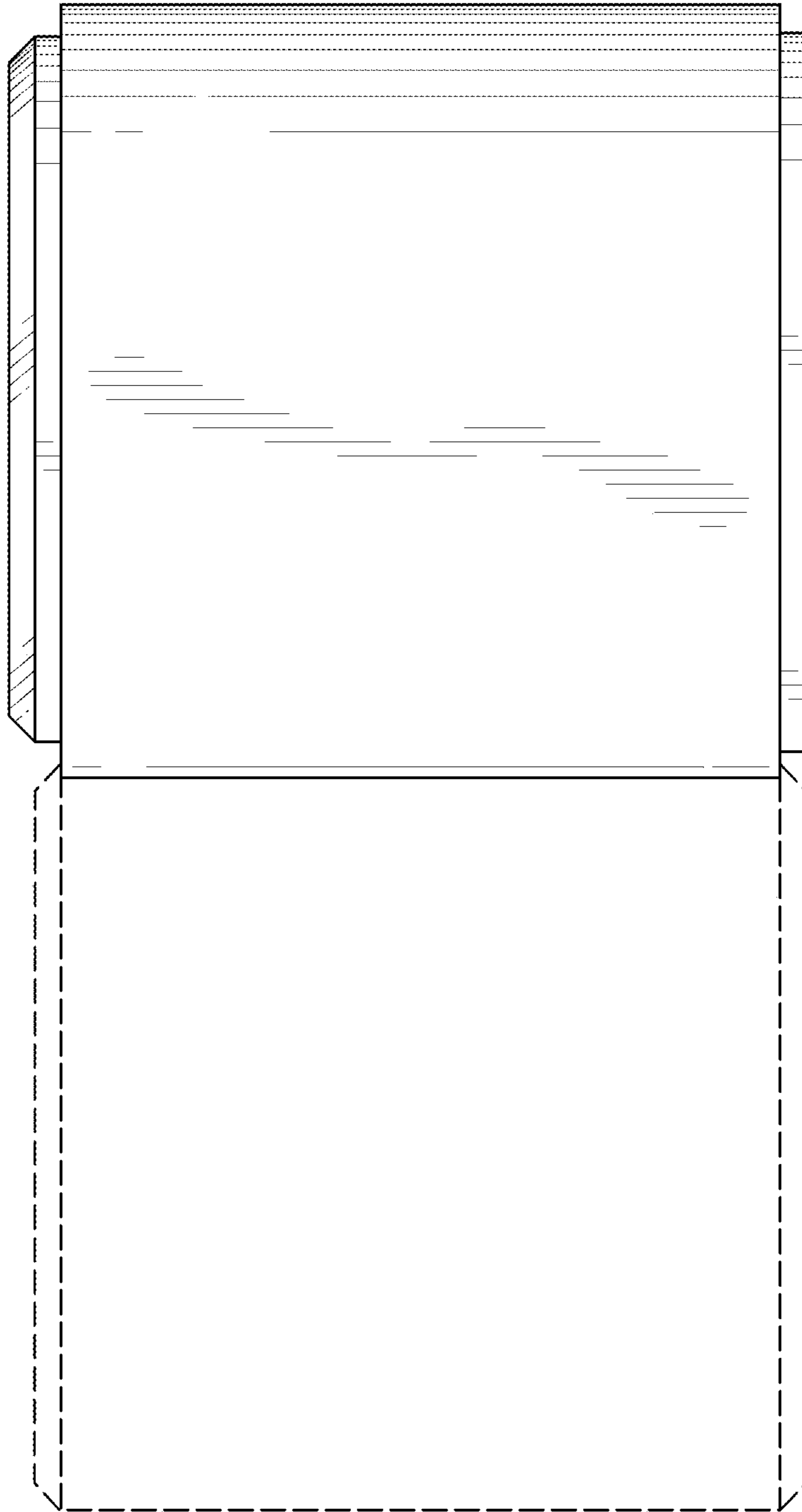


Fig. 9