

US00D827564S

(12) **United States Design Patent**
Zhang et al.

(10) **Patent No.:** **US D827,564 S**

(45) **Date of Patent:** **** Sep. 4, 2018**

(54) **PORTABLE SOLAR CHARGER**

(71) Applicant: **Xiamen Topunive Technology Co., Ltd.**, Xiamen (CN)

(72) Inventors: **Hui Zhang**, Xiamen (CN); **Huaqiang Mei**, Xiamen (CN); **Yandong Yang**, Xiamen (CN)

(73) Assignee: **XIAMEN TOPUNIVE TECHNOLOGY CO., LTD.**, Xiamen, Fujian (CN)

(**) Term: **15 Years**

(21) Appl. No.: **29/617,239**

(22) Filed: **Sep. 13, 2017**

(51) **LOC (11) Cl.** **13-03**

(52) **U.S. Cl.**
USPC **D13/102**

(58) **Field of Classification Search**
USPC D13/102, 103, 104, 105, 106, 107, 108, D13/109, 118, 119, 120, 184, 199
CPC H01L 31/00; H01L 31/02; H01L 31/042; H01L 31/045; H01L 31/046; H01L 31/048; H01L 31/05; H01L 31/052; H01L 31/0525; H02S 30/00; H02S 20/10; H02S 20/23; H02S 20/30; H02S 40/34; H02S 40/44; F24J 2/52; F03G 6/00
See application file for complete search history.

(56) **References Cited**

U.S. PATENT DOCUMENTS

D663,262 S * 7/2012 Cheung D13/102
D755,119 S * 5/2016 Munshi D13/102

D806,011 S * 12/2017 Chang D13/102
D812,553 S * 3/2018 Anderson D13/102
D812,558 S * 3/2018 Park D13/107
D813,802 S * 3/2018 Krantz D13/102
D814,401 S * 4/2018 Cheung D13/102
D817,265 S * 5/2018 Liu D13/102

* cited by examiner

Primary Examiner — Daniel Bui

(74) *Attorney, Agent, or Firm* — Leong C. Lei

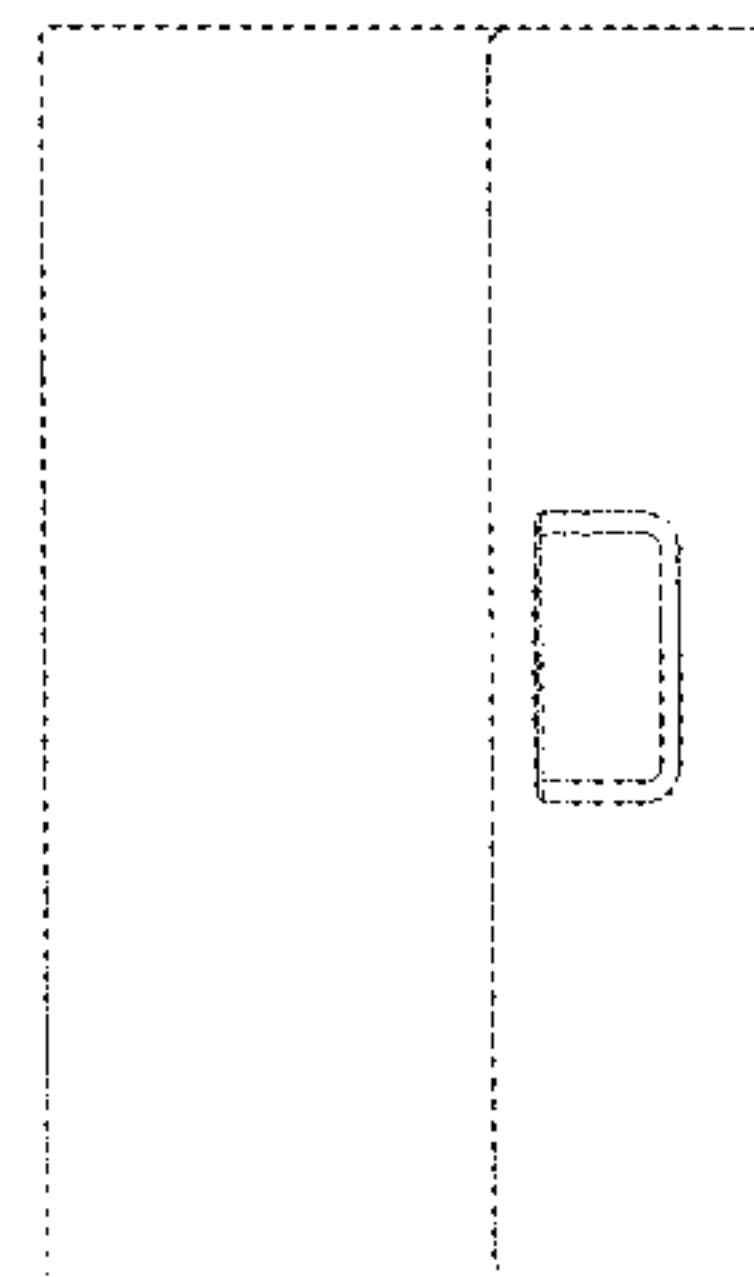
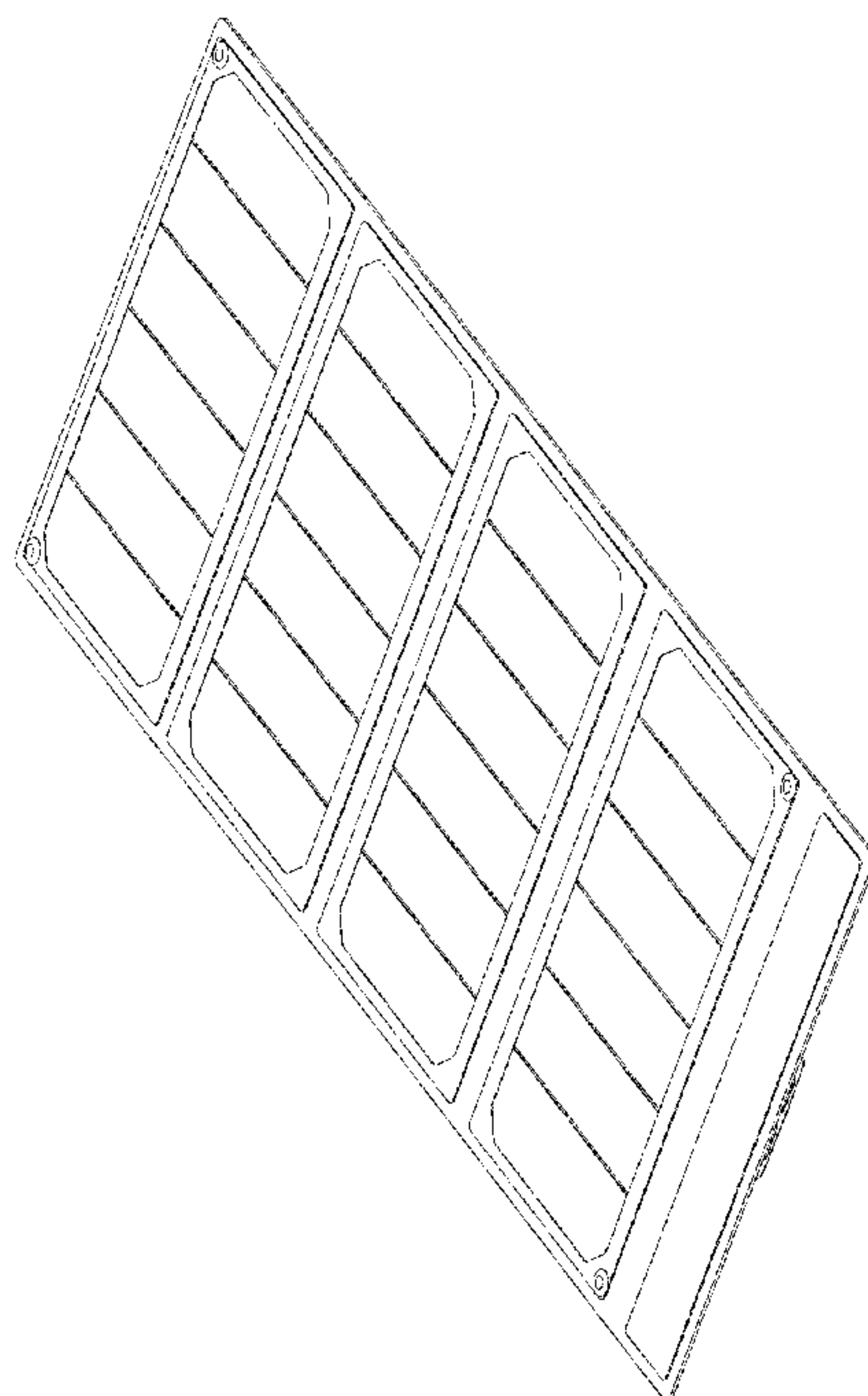
(57) **CLAIM**

The ornamental design for a portable solar charger, as shown and described.

DESCRIPTION

FIG. 1 is a front, top and right side perspective view of a portable solar charger showing our new design;
FIG. 2 is a front elevational view thereof;
FIG. 3 is a rear elevational view thereof;
FIG. 4 is a left side elevational view thereof;
FIG. 5 is a right side elevational view thereof;
FIG. 6 is a top plan view thereof;
FIG. 7 is a bottom plan view thereof;
FIG. 8 is a rear, bottom and right side perspective view thereof;
FIG. 9 is a rear elevational view thereof, in a folded position; and,
FIG. 10 is a bottom plan view thereof, in a folded position.

1 Claim, 9 Drawing Sheets



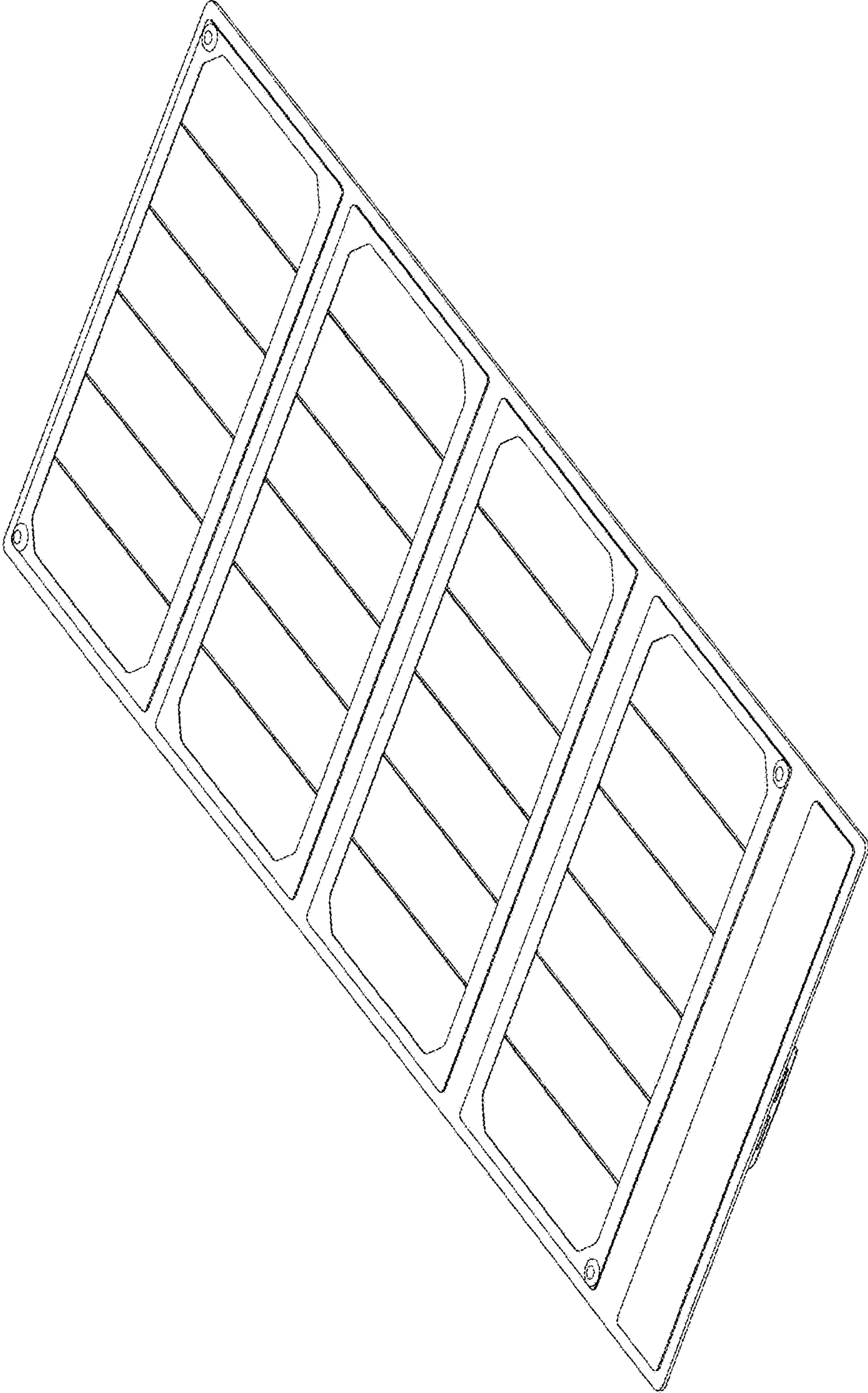


FIG. 1

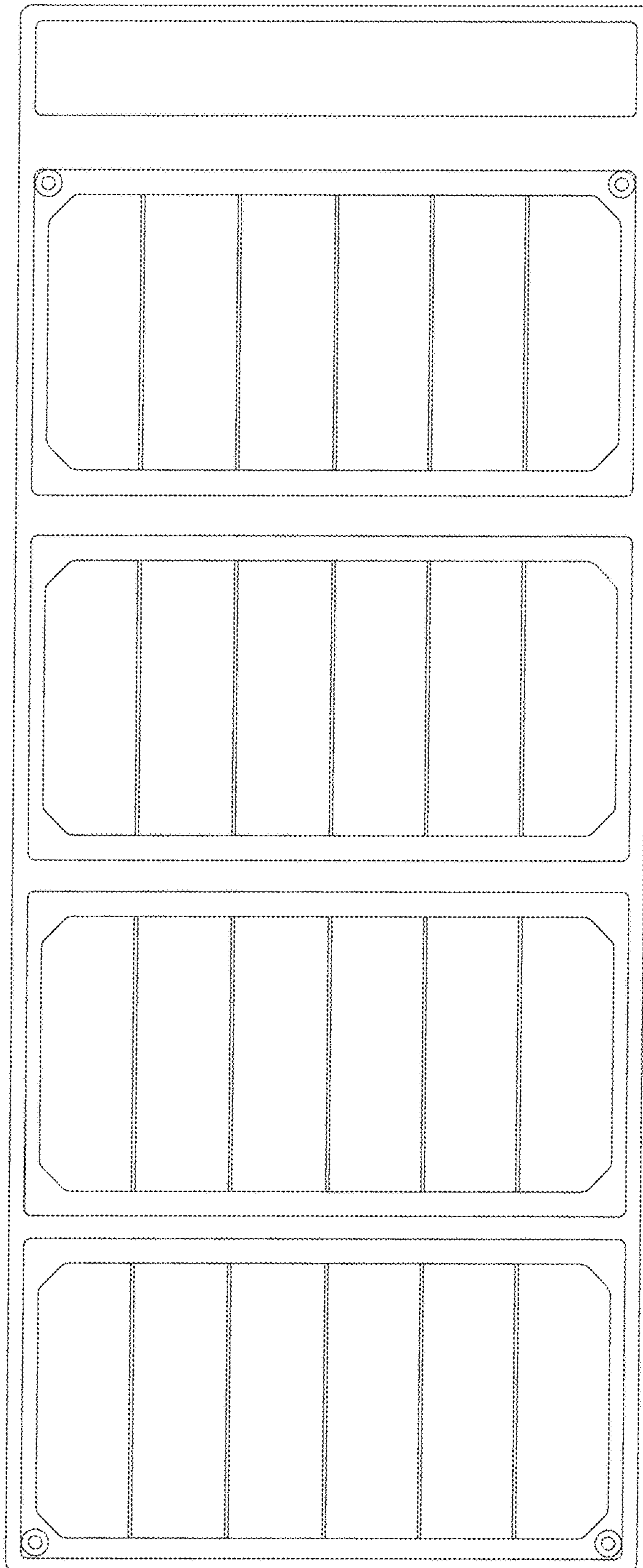


FIG. 2

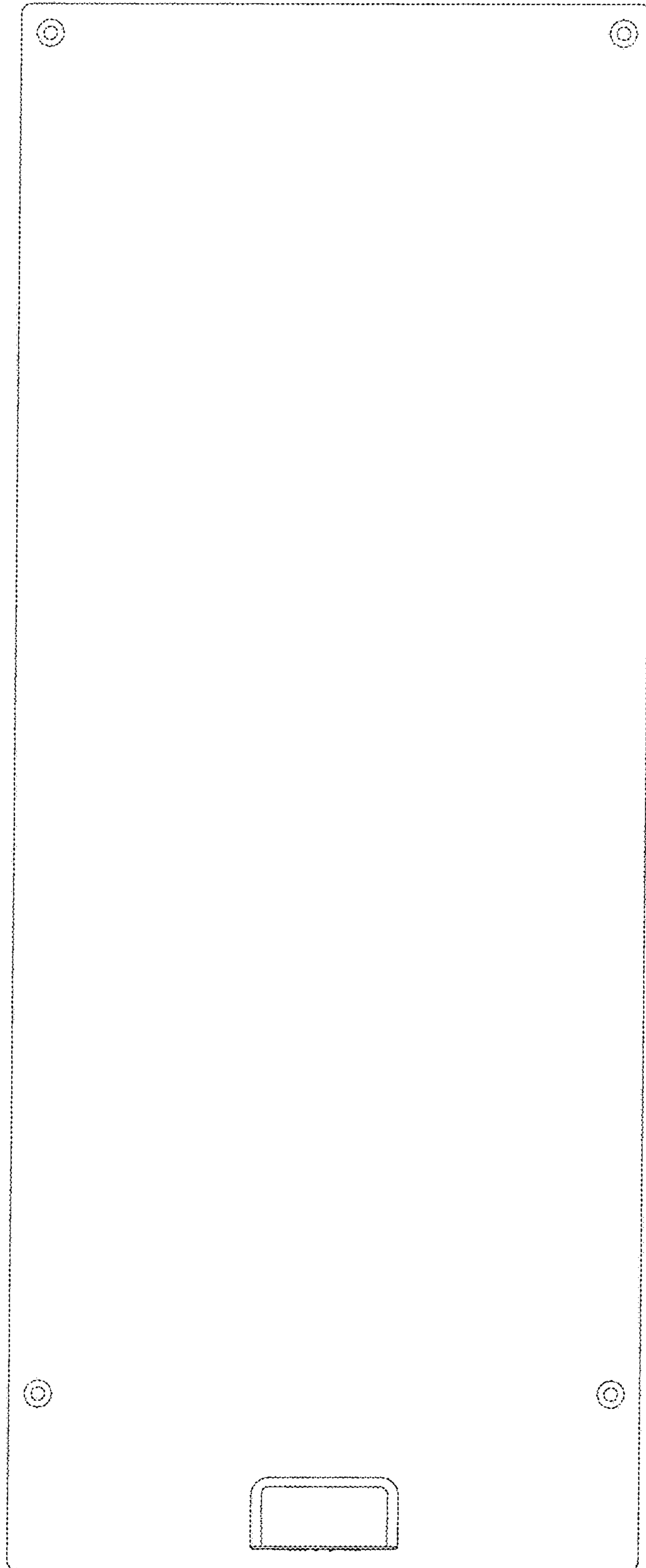


FIG. 3

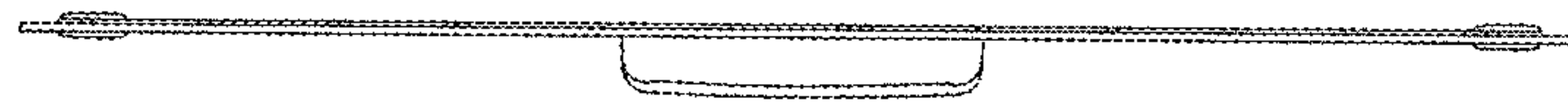


FIG. 4

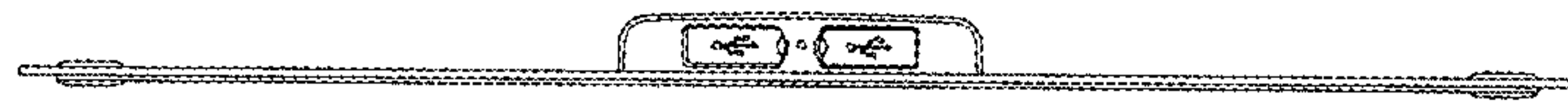


FIG. 5

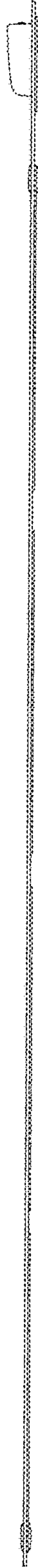


FIG. 6



FIG. 7

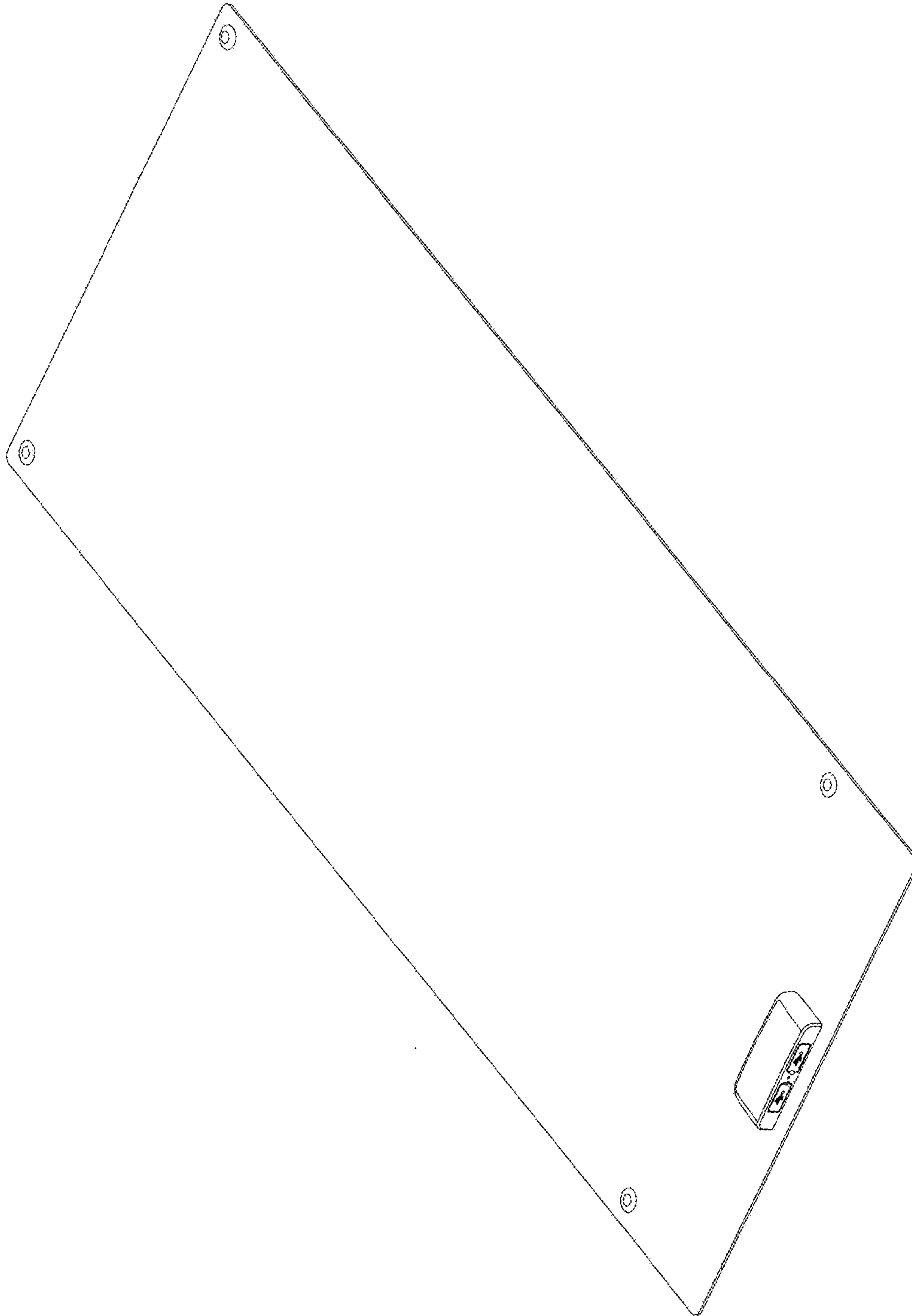


FIG. 8

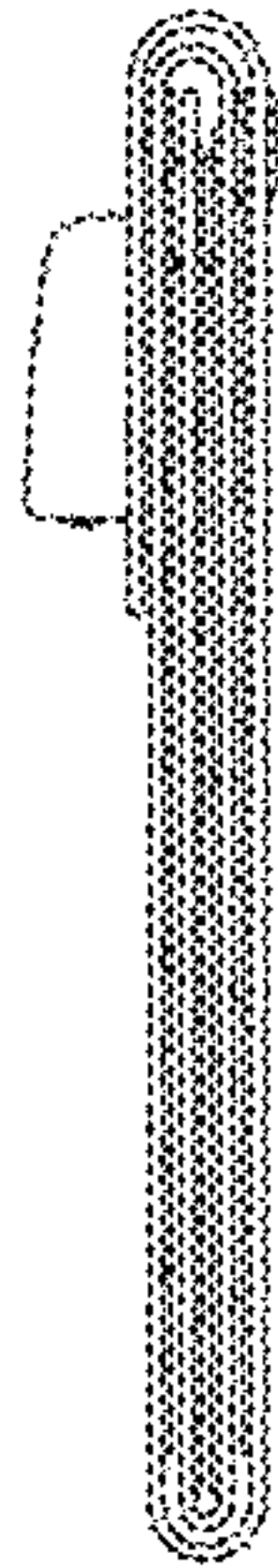


FIG. 10

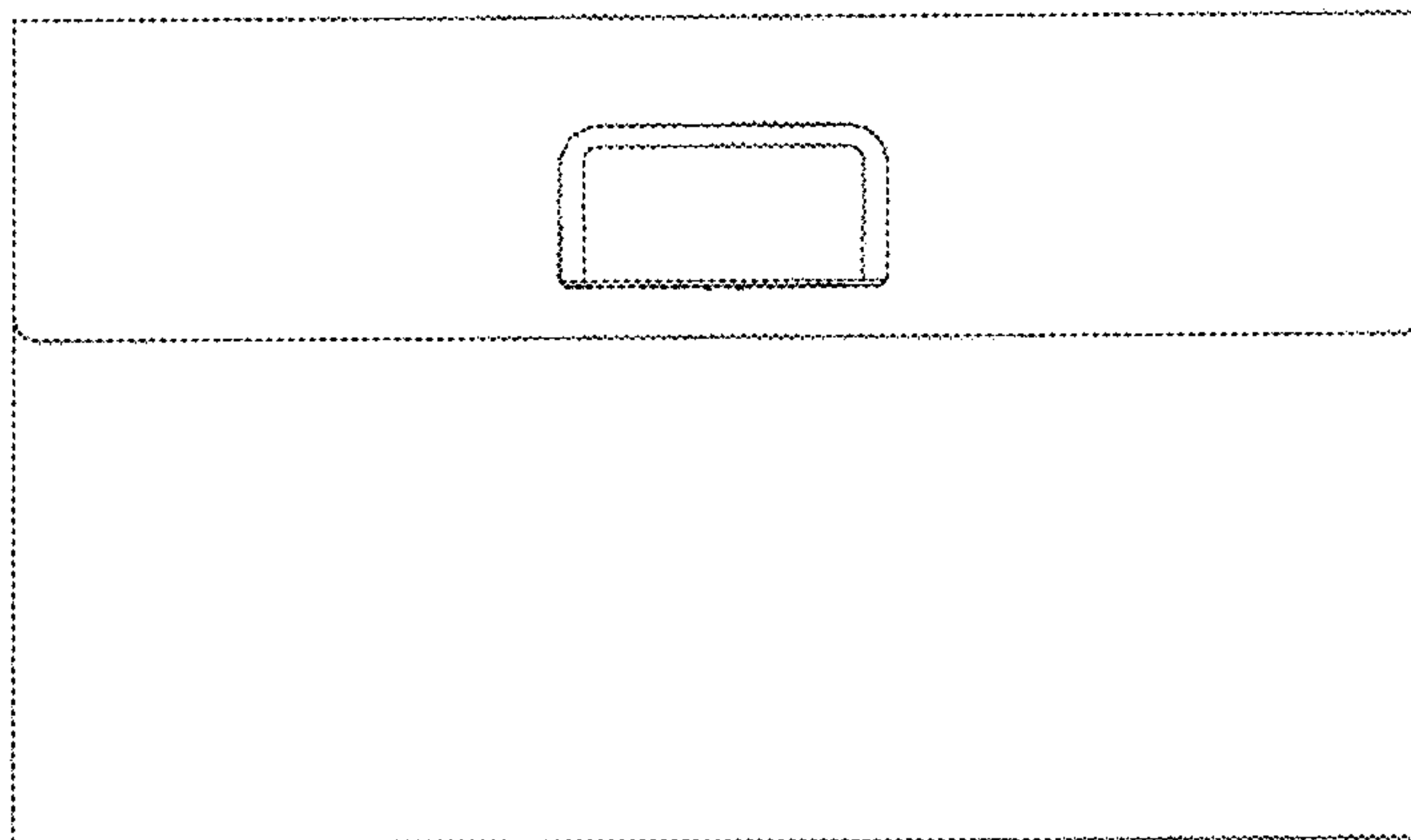


FIG. 9