



US00D827560S

(12) **United States Design Patent**
Gallego et al.

(10) **Patent No.:** **US D827,560 S**
(45) **Date of Patent:** **** Sep. 4, 2018**

- (54) **TIRE**
- (71) Applicant: **Compagnie Generale des Etablissements Michelin,**
Clermont-Ferrand (FR)
- (72) Inventors: **Juan Pablo Gallego,** Clermont-Ferrand (FR); **Devarelle Jacobson,** Greenville, SC (US); **Drew Stanley,** Greenville, SC (US)
- (73) Assignee: **Compagnie Generale des Etablissements Michelin,**
Clermont-Ferrand (FR)
- (**) Term: **15 Years**
- (21) Appl. No.: **29/598,380**
- (22) Filed: **Mar. 24, 2017**
- (51) **LOC (11) Cl.** **12-15**
- (52) **U.S. Cl.**
USPC **D12/603**
- (58) **Field of Classification Search**
USPC D12/575, 579, 596, 597, 602, 603
CPC B60C 11/0306; B60C 11/11; B60C 2011/0344
See application file for complete search history.

- D739,817 S * 9/2015 Nomoto D12/583
- D785,553 S * 5/2017 Bardin D12/596
- D788,024 S * 5/2017 Chen D12/584

* cited by examiner

Primary Examiner — Robert M. Spear
(74) *Attorney, Agent, or Firm* — John Steckler Schwab

(57) **CLAIM**

The ornamental design for a tire, as shown and described.

DESCRIPTION

FIG. 1 is a front right perspective view of a first embodiment of a tire showing our new design, the design repeated uniformly about the circumference of the tire, it being understood that the dashed lines form no part of the claimed design;

FIG. 2 is a right elevation view thereof, it being understood that the dashed lines form no part of the claimed design;

FIG. 3 is a left elevation view thereof, it being understood that the dashed lines form no part of the claimed design;

FIG. 4 is a front elevation view thereof, the design repeated uniformly about the circumference of the tire, it being understood that the dashed lines form no part of the claimed design;

FIG. 5 is a partial sectional view taken along line 5-5 in FIG. 4, it being understood that the dashed lines form no part of the claimed design;

FIG. 6 is a front right perspective view of a second embodiment of a tire showing our new design, the design repeated uniformly about the circumference of the tire;

FIG. 7 is a right elevation view thereof;

FIG. 8 is a left elevation view thereof;

FIG. 9 is a front elevation view thereof, the design repeated uniformly about the circumference of the tire; and,

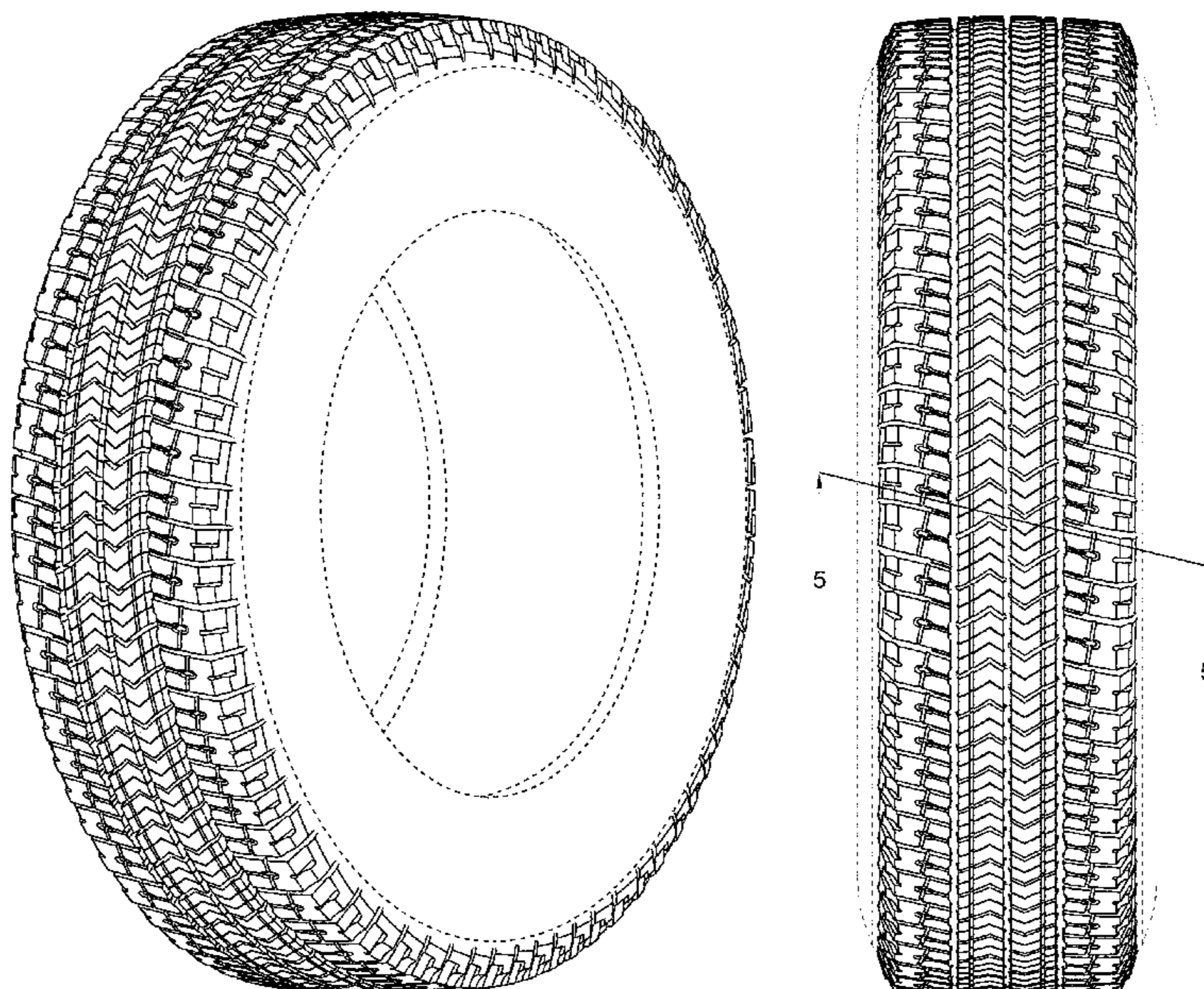
FIG. 10 is a sectional view taken along line 10-10 in FIG. 9.

(56) **References Cited**

U.S. PATENT DOCUMENTS

- D275,474 S * 9/1984 Graas D12/596
- D416,218 S * 11/1999 Lissan D12/602
- D418,781 S * 1/2000 Vinesse D12/597
- D479,187 S * 9/2003 Buresh D12/603
- D479,504 S * 9/2003 Hutz D12/603
- D641,690 S * 7/2011 Kato D12/603
- D686,567 S * 7/2013 Fu D12/603

1 Claim, 10 Drawing Sheets



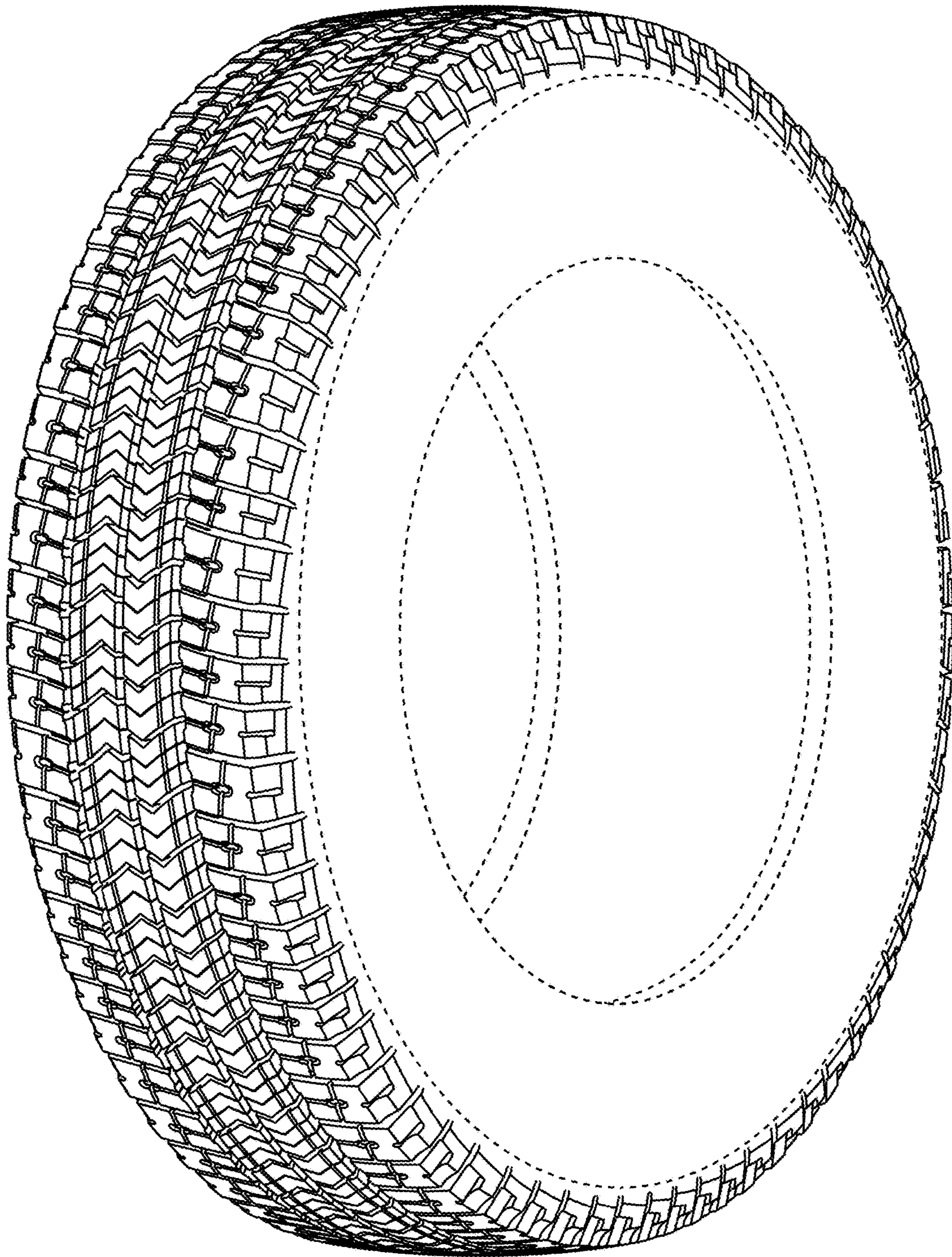


Fig. 1

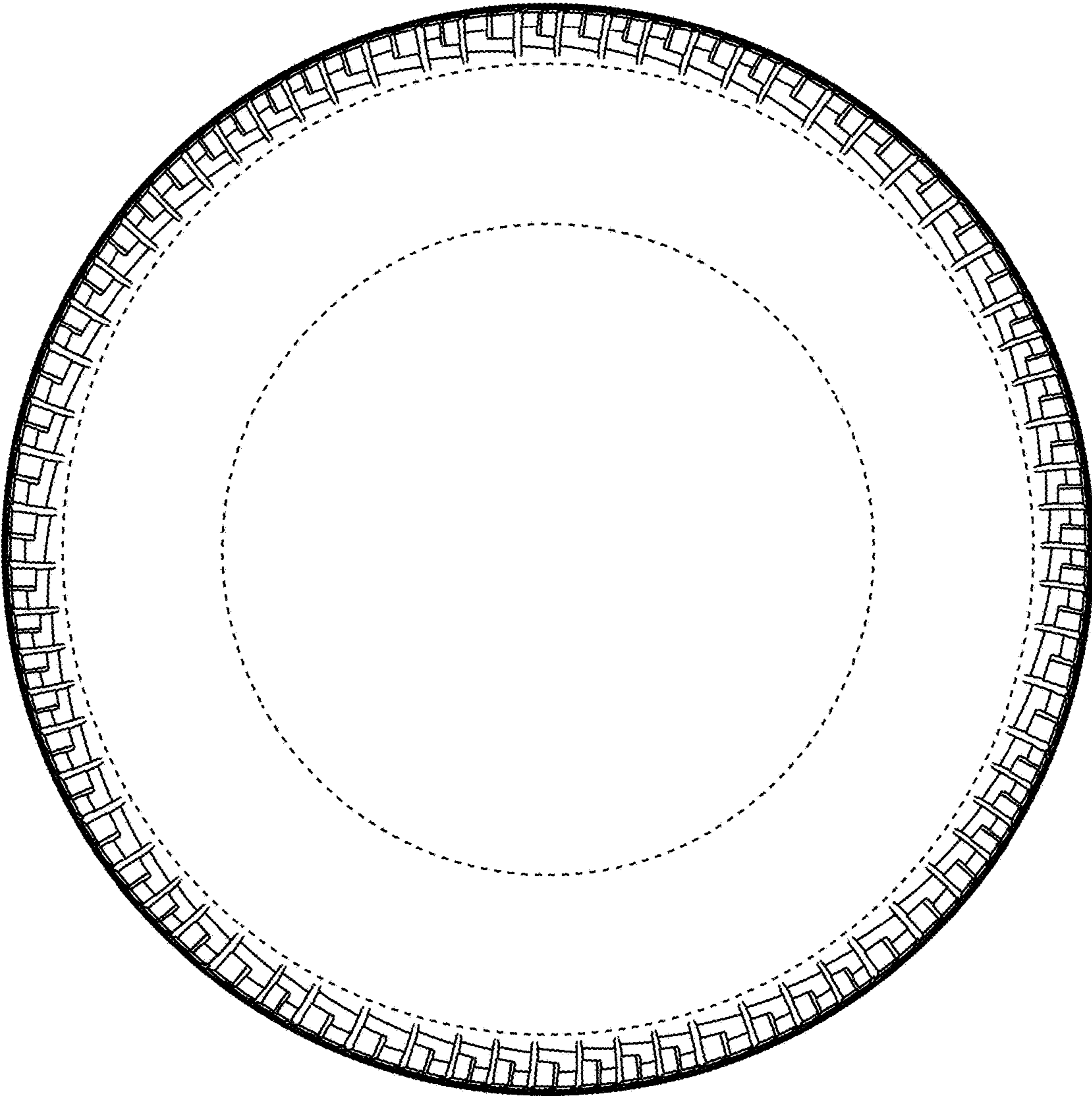


Fig. 2

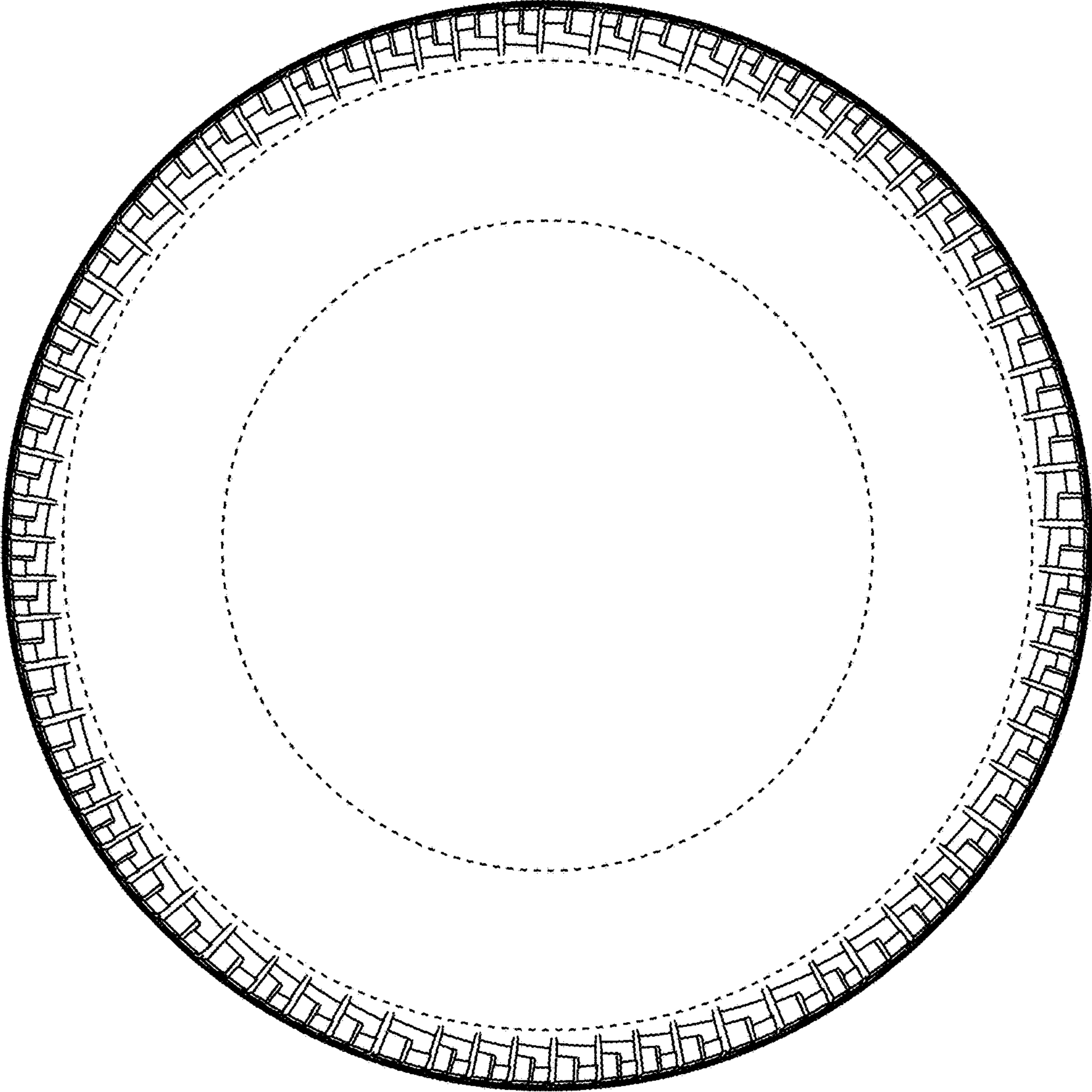


Fig. 3

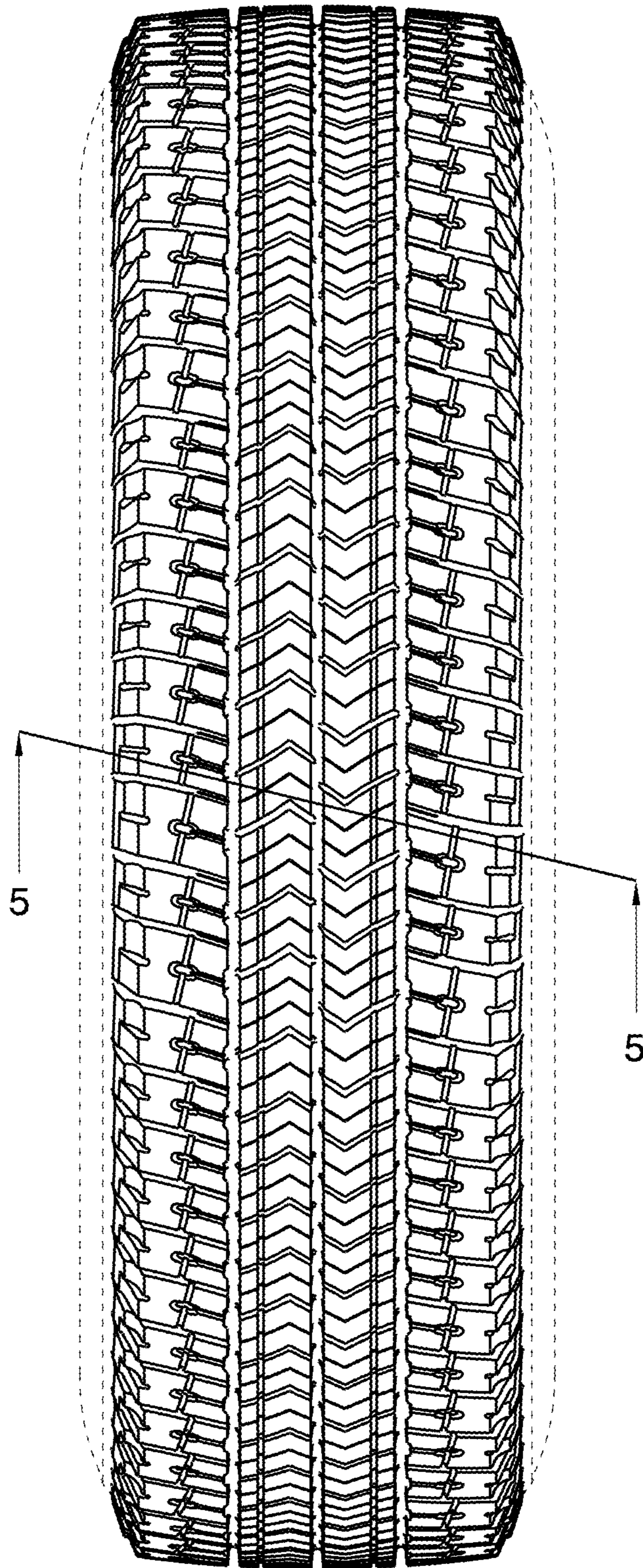


Fig. 4

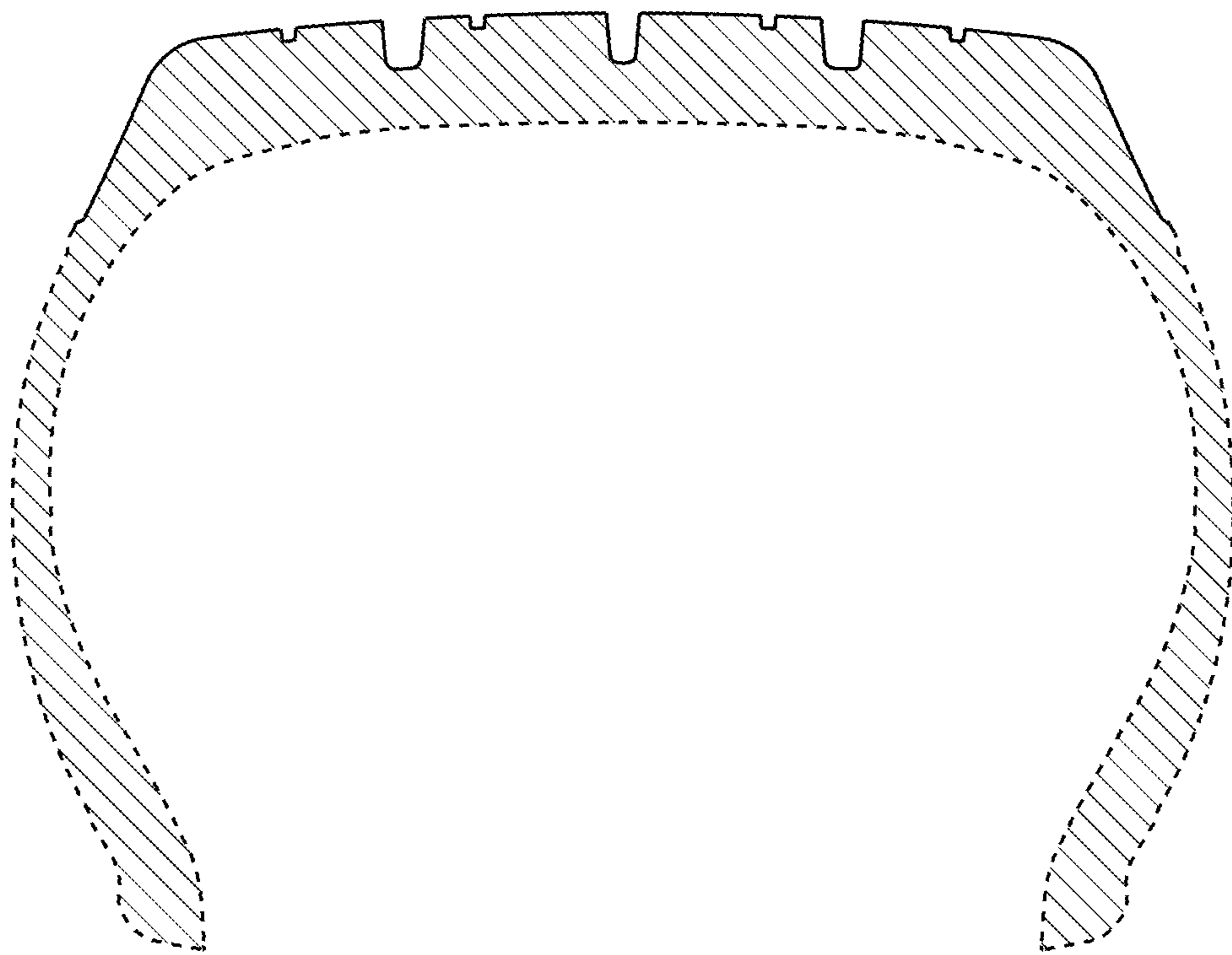


Fig. 5

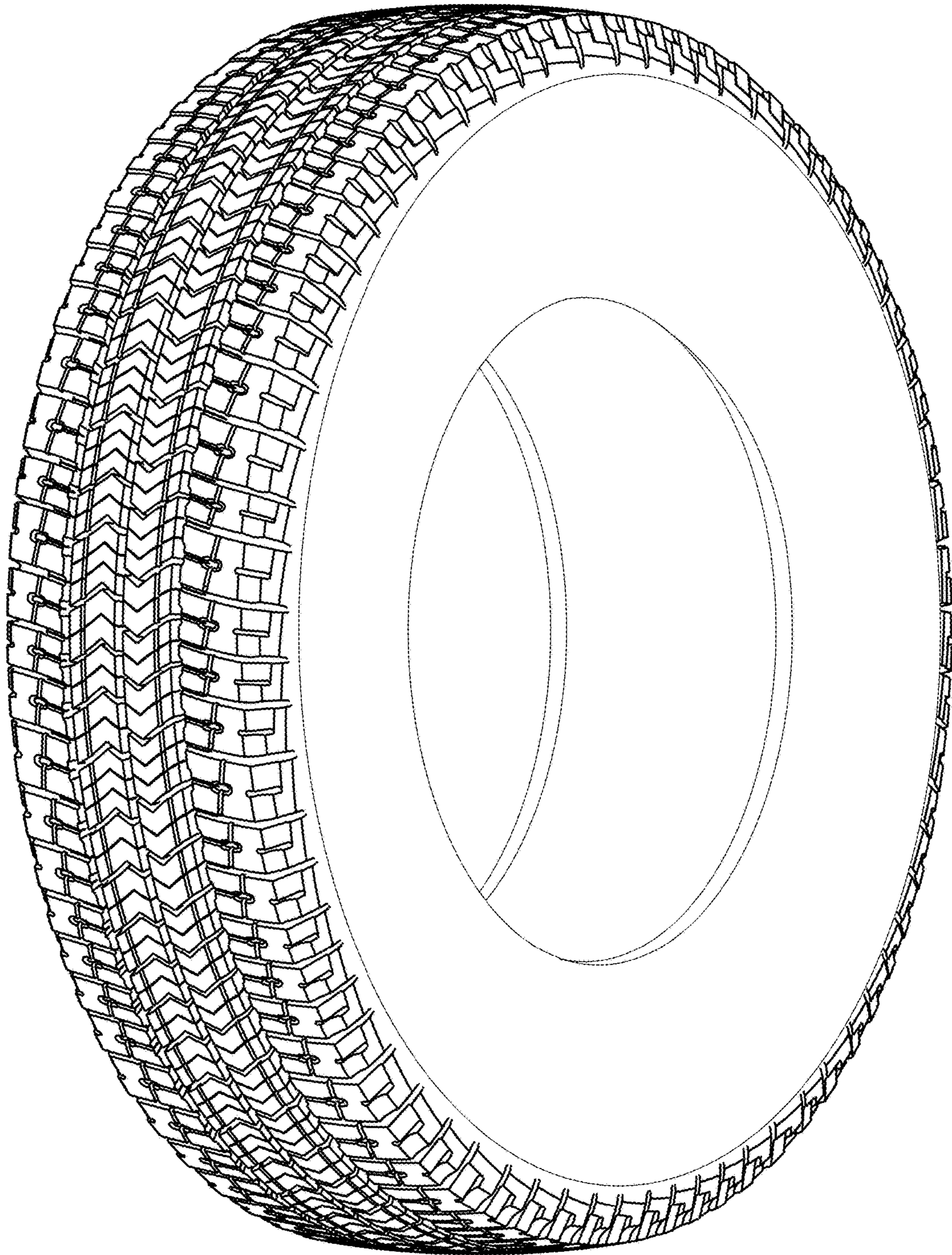


Fig. 6

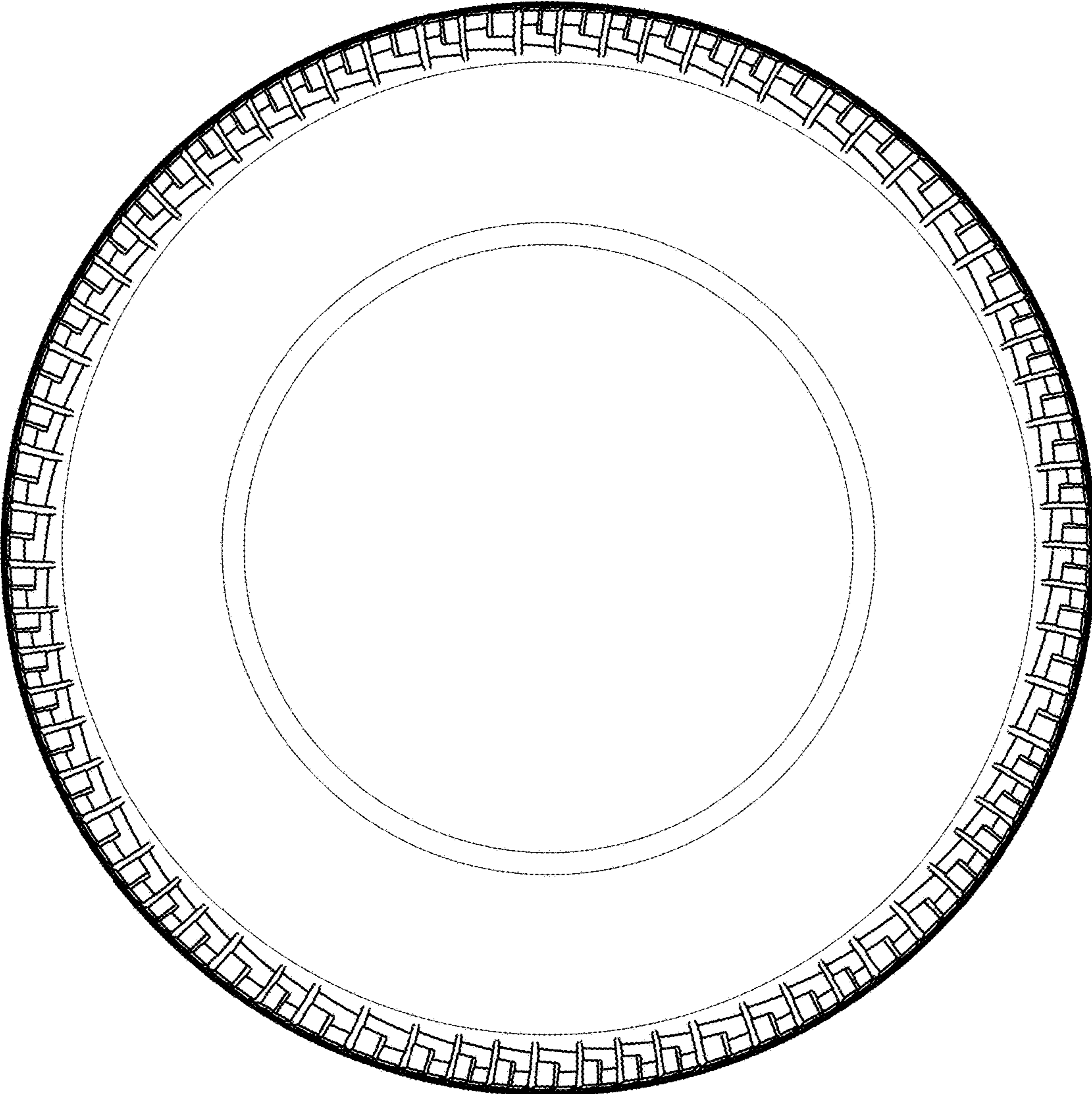


Fig. 7

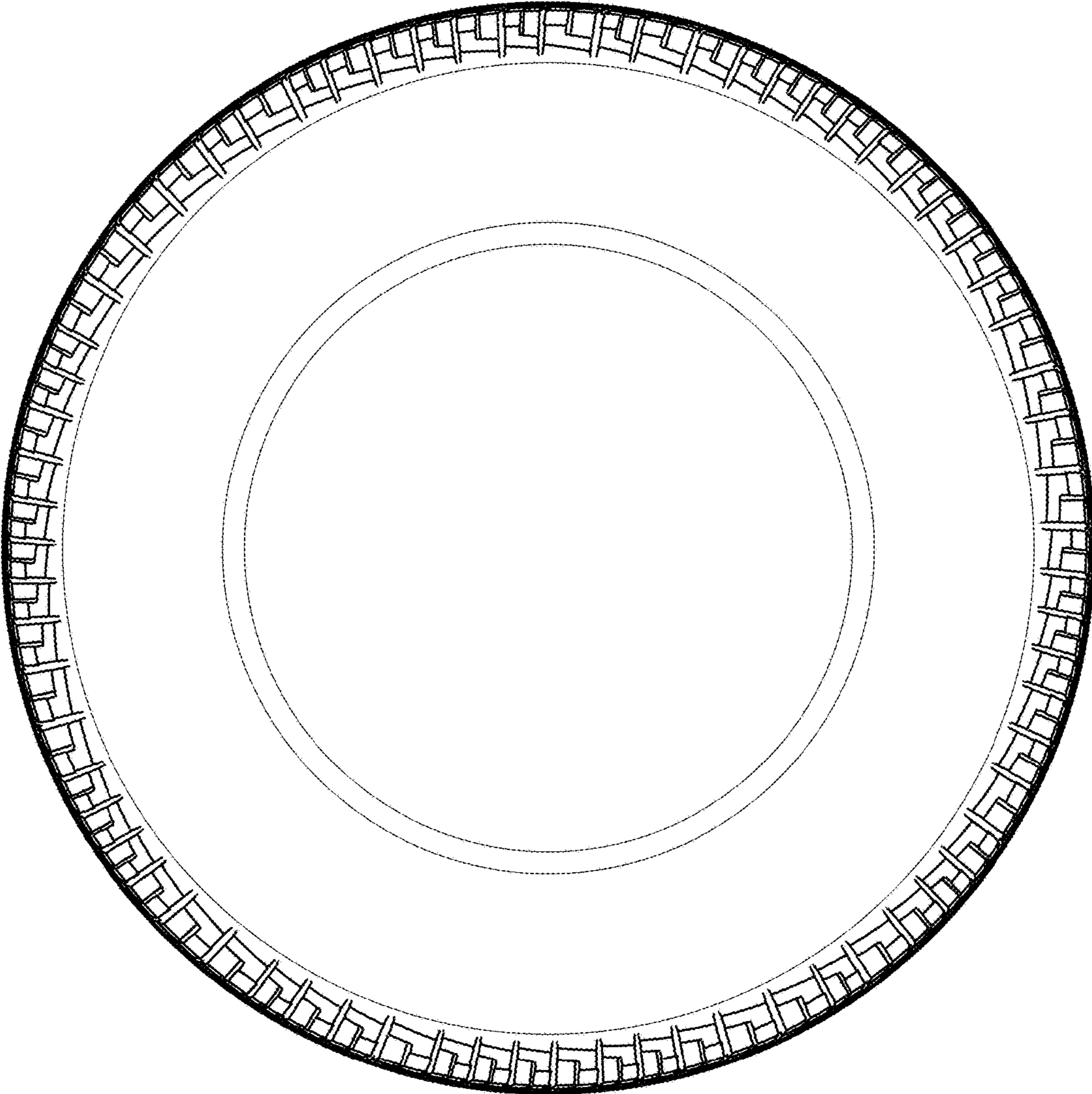


Fig. 8

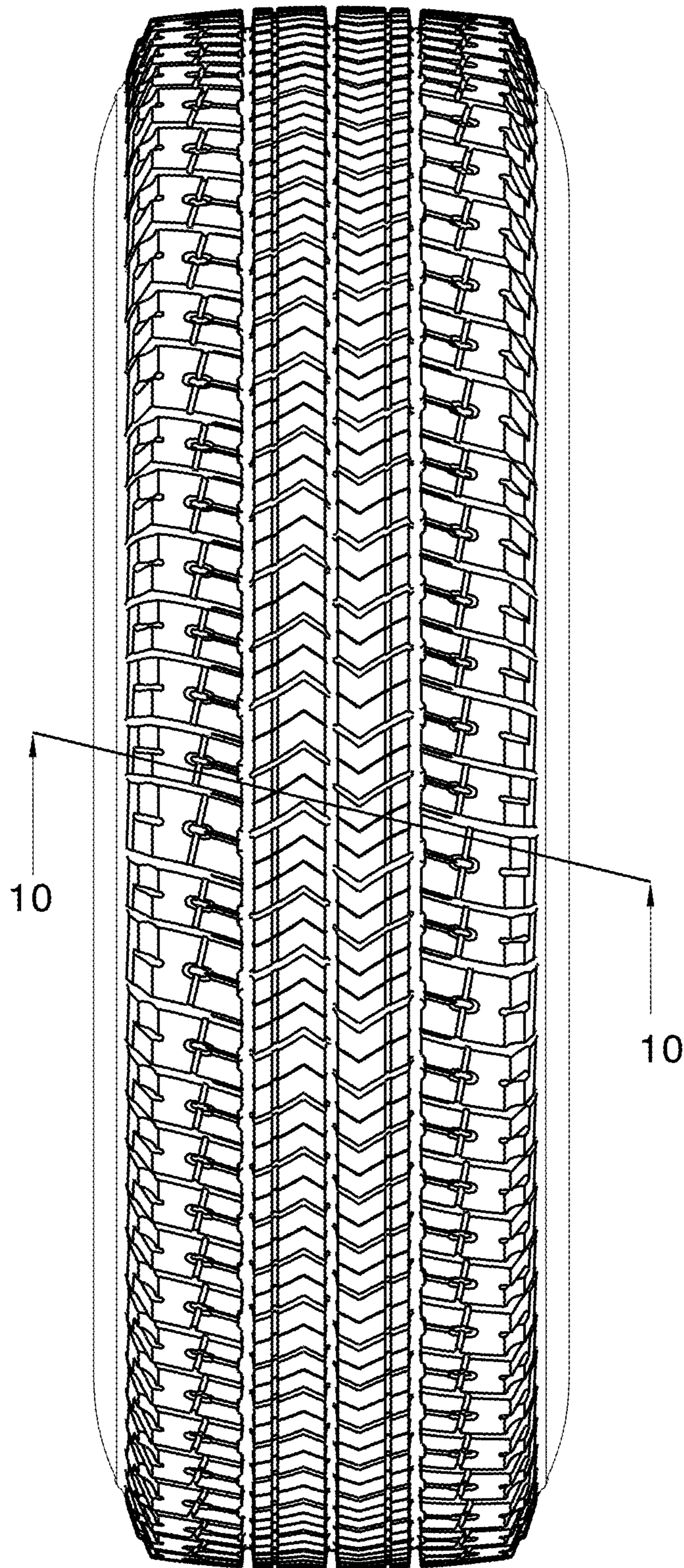


Fig. 9

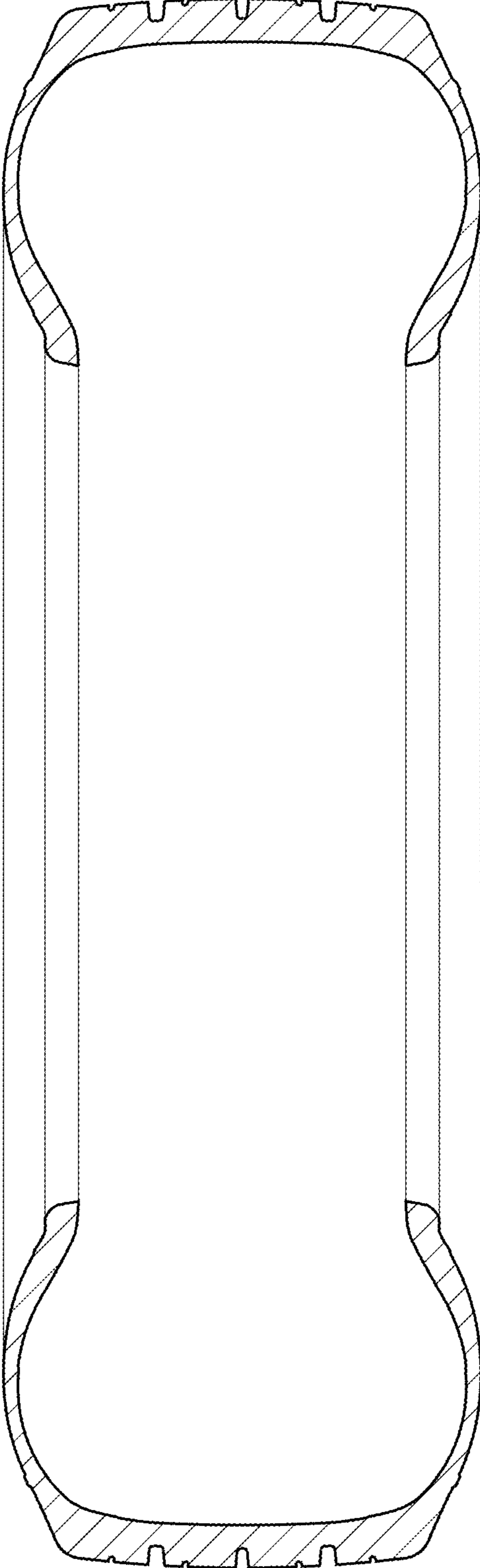


Fig. 10