

US00D827559S

(12) **United States Design Patent** (10) **Patent No.:** **US D827,559 S**  
**Thornburg** (45) **Date of Patent:** **\*\* Sep. 4, 2018**

(54) **TIRE**  
(71) Applicant: **Mark Thornburg**, Huntington Beach, CA (US)  
(72) Inventor: **Mark Thornburg**, Huntington Beach, CA (US)  
(\*\*) Term: **15 Years**  
(21) Appl. No.: **29/606,546**  
(22) Filed: **Jun. 6, 2017**

D444,426 S 7/2001 Marazzi et al.  
D451,449 S 12/2001 Maxwell  
D483,718 S \* 12/2003 Hutz ..... B60C 11/01  
D12/579  
D484,088 S 12/2003 Kindig  
D536,661 S 2/2007 Maxwell  
D544,829 S 6/2007 Umstot  
D548,172 S 8/2007 Dixon et al.  
D553,558 S 10/2007 Sakakibara et al.  
D556,124 S 11/2007 Thum et al.  
D556,674 S \* 12/2007 Missik-Gaffney ..... D12/579  
D565,501 S 4/2008 Lo

(Continued)

**Related U.S. Application Data**

(63) Continuation-in-part of application No. 29/601,083, filed on Apr. 19, 2017.  
(51) **LOC (11) Cl.** ..... **12-15**  
(52) **U.S. Cl.**  
USPC ..... **D12/579**  
(58) **Field of Classification Search**  
USPC ..... D12/512, 544, 568-605  
CPC ..... B60C 11/0302; B60C 11/0306  
See application file for complete search history.

**References Cited**

**U.S. PATENT DOCUMENTS**

D141,885 S 7/1945 Walker  
4,204,567 A 5/1980 Johannes et al.  
D288,308 S 2/1987 Takenoya et al.  
D288,425 S 2/1987 Beeghly et al.  
D301,570 S 6/1989 Fujiki  
D313,960 S 1/1991 Fukumoto  
D340,436 S 10/1993 Baus  
D355,464 S 2/1995 Wilson et al.  
D367,448 S \* 2/1996 Baus ..... D12/579  
D388,034 S 12/1997 Le et al.  
D388,844 S 1/1998 Bonko  
D400,140 S 10/1998 Graas  
D413,557 S \* 9/1999 Bonko ..... D12/579  
D444,423 S 7/2001 Ratliff, Jr.

**OTHER PUBLICATIONS**

US Trademark Registration No. 5093093; Mark—MRT Filing date: Nov. 19, 2015.

(Continued)

*Primary Examiner* — George D. Kirschbaum  
*Assistant Examiner* — Joseph J Kukella  
(74) *Attorney, Agent, or Firm* — Legalforce RAPC  
Worldwide

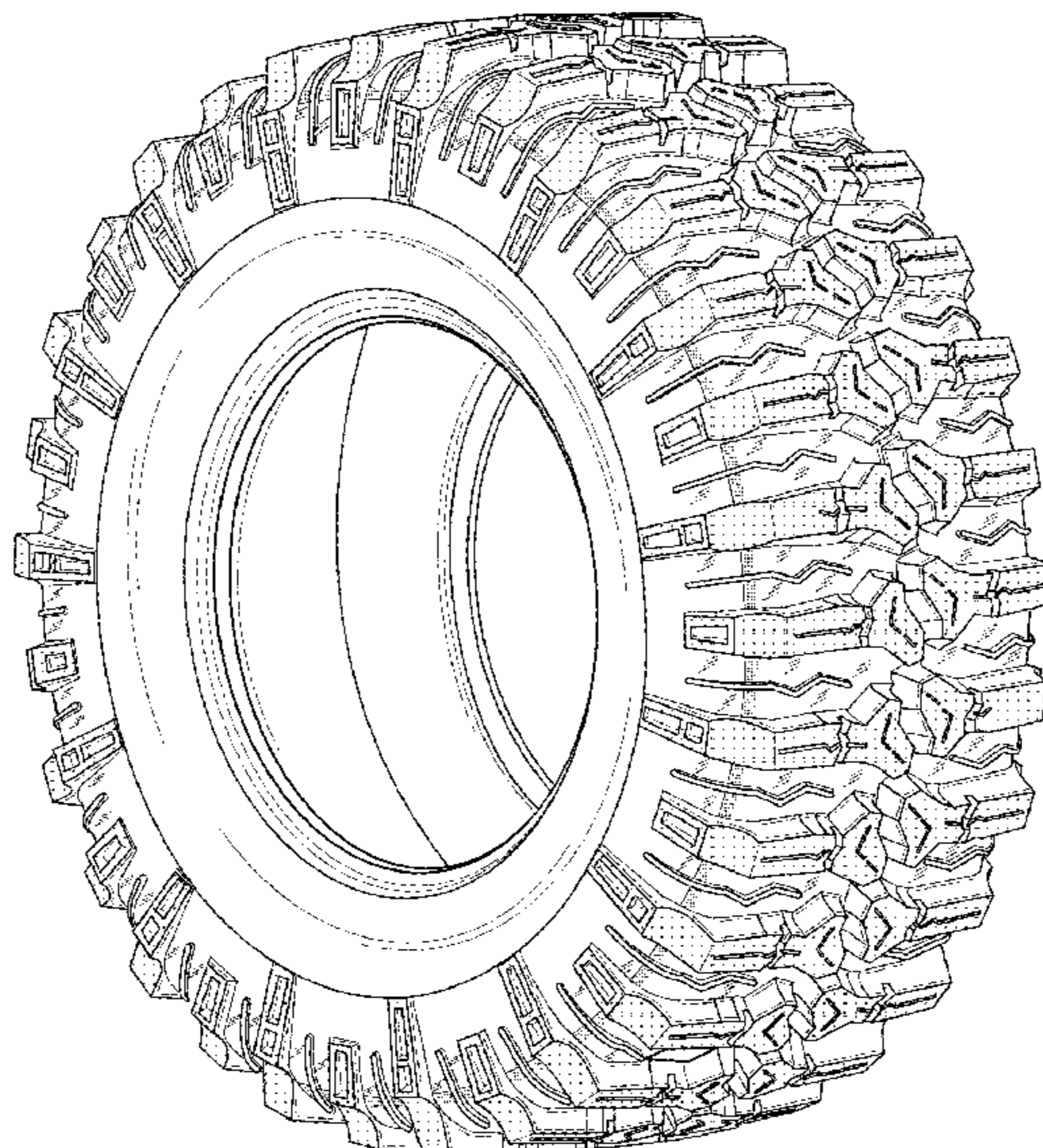
**CLAIM**

(57) The ornamental design for a tire, as shown and described.

**DESCRIPTION**

FIG. 1 is a front left side perspective view for a tire, showing my new design, it being understood that the tread pattern repeats circumferentially throughout the outer circumference and shoulder of a tire, the opposite side perspective view being identical thereto;  
FIG. 2 is front elevational view of FIG. 1 thereof, the rear elevational, top plan and bottom plan view being a mirror image; and,  
FIG. 3 is a left side elevational view of FIG. 1 thereof, the right side elevational view being a mirror image.

**1 Claim, 3 Drawing Sheets**



(56)

References Cited

U.S. PATENT DOCUMENTS

D590,328 S	4/2009	Lo	
D591,219 S	4/2009	Ohigashi et al.	
D591,222 S	4/2009	Green	
D595,641 S	7/2009	Carter et al.	
D604,227 S	11/2009	Bonko et al.	
D612,799 S	* 3/2010	Wallet .....	D12/579
D624,008 S	9/2010	Shan et al.	
D632,244 S	2/2011	Green	
D634,701 S	3/2011	Shan et al.	
D636,721 S	* 4/2011	Wallet .....	D12/579
D637,140 S	5/2011	Hikita	
D664,914 S	* 8/2012	Dixon .....	B60C 11/01 D12/579
D671,485 S	11/2012	Hikita	
D671,486 S	11/2012	Rooney et al.	
D686,564 S	7/2013	Hikita	
D699,664 S	2/2014	Lo	
D751,030 S	3/2016	Chen	
D761,193 S	7/2016	Schimmoeller et al.	
D762,555 S	* 8/2016	Hayashi .....	D12/579
D768,057 S	10/2016	Scheifele	
D770,365 S	11/2016	Yu	
D770,969 S	11/2016	Schmidt et al.	
D777,652 S	1/2017	Lippert et al.	
D781,214 S	3/2017	Lo	
D783,510 S	4/2017	Thornburg	
D783,511 S	4/2017	Holt et al.	
D787,428 S	5/2017	Rooney	
D788,023 S	5/2017	Parr et al.	
D791,681 S	7/2017	Zhang et al.	
D792,837 S	7/2017	Thompson et al.	
D795,169 S	8/2017	Schultz et al.	
D795,794 S	8/2017	Thieman	
D797,037 S	* 9/2017	Lo .....	D12/579

OTHER PUBLICATIONS

US Trademark Serial No. 86487154; Mark—Moto X Trail Filing date: Dec. 20, 2014.  
 US Trademark Registration No. 4912027; Mark—Moto Race Filing date: Nov. 6, 2014 Publication date: Dec. 22, 2015.  
 US Trademark Registration No. 4764160; Mark—Moto Attack Filing date: Nov. 7, 2014 Publication date: Apr. 14, 2015.  
 US Trademark Serial No. 86446250; Mark—Moto Sand Filing date: Nov. 6, 2014.  
 US Trademark Registration No. 4760168; Mark—Moto Crawler Filing date: Nov. 5, 2014 Publication date: Apr. 7, 2015.  
 US Trademark Serial No. 86447598; Mark—Moto Hammer Filing date: Nov. 7, 2014.  
 US Trademark Serial No. 86358403; Mark—Moto Filing date: Aug. 6, 2014.  
 US Trademark Serial No. 86405638; Mark—Moto Race Tire Filing date: Sep. 25, 2014.

“Moto MTC” by MSA, Found Online [Sep. 20, 2017] [https://hormellsatv.com/product\\_images/Tires---MSA-Moto-MTC-.jpg](https://hormellsatv.com/product_images/Tires---MSA-Moto-MTC-.jpg).  
 “Tires—Bajacross” by Bajacross, Found Online [Sep. 20, 2017] [https://hormellsatv.com/product\\_images/Tires---Bajacross.jpg](https://hormellsatv.com/product_images/Tires---Bajacross.jpg).  
 “Zilla” by Maxxis, Found Online [Sep. 20, 2017] [https://hormeliasatv.com/product\\_images/Tires---Maxxis-Zilla.jpg](https://hormeliasatv.com/product_images/Tires---Maxxis-Zilla.jpg).  
 “Mud Lite” by ITP, Found Online [Sep. 20, 2017] [https://images-na.ssl-images-amazon.com/images/I/9161W04f0FL.\\_SL1500\\_.jpg](https://images-na.ssl-images-amazon.com/images/I/9161W04f0FL._SL1500_.jpg).  
 “Mud Lite XTR” by ITP, Found Online [Sep. 20, 2017] [https://hormellsatv.com/product\\_images/Tires---Mud-Lite-XTR.jpg](https://hormellsatv.com/product_images/Tires---Mud-Lite-XTR.jpg).  
 “Terracross R/T X-D” by ITP, Found Online [Sep. 20, 2017] [https://hormellsatv.com/product\\_images/Tires---Terracross-RT-X-D.jpg](https://hormellsatv.com/product_images/Tires---Terracross-RT-X-D.jpg).  
 “Race ATV/UTV Race Tire” by MRT, Found Online [Sep. 20, 2017] [http://motoracetire.com/wp-content/uploads/2013/12/atv\\_utv\\_rzr\\_moto\\_race\\_tire\\_front\\_view.jpg](http://motoracetire.com/wp-content/uploads/2013/12/atv_utv_rzr_moto_race_tire_front_view.jpg).  
 “Summit ATV/UTV Race Tire” by MRT, Found Online [Sep. 20, 2017] [http://motoracetire.com/wp-content/uploads/2014/11/atv\\_utv\\_rzr\\_moto\\_hammer\\_summit\\_race\\_tire\\_main\\_view.jpg](http://motoracetire.com/wp-content/uploads/2014/11/atv_utv_rzr_moto_hammer_summit_race_tire_main_view.jpg).  
 “Trail Pro ATV/UTV Race Tire” by MRT, Found Online [Sep. 20, 2017] [http://motoracetire.com/wp-content/uploads/2013/12/atv\\_utv\\_rzr\\_moto\\_attack\\_race\\_tire\\_main\\_view.jpg](http://motoracetire.com/wp-content/uploads/2013/12/atv_utv_rzr_moto_attack_race_tire_main_view.jpg).  
 “Mudd Monster ATV/UTV Race Tire” by MRT, Found Online [Sep. 20, 2017] [http://motoracetire.com/wp-content/uploads/2013/12/atv\\_utv\\_rzr\\_moto\\_mudder\\_race\\_tire\\_front\\_view.jpg](http://motoracetire.com/wp-content/uploads/2013/12/atv_utv_rzr_moto_mudder_race_tire_front_view.jpg).  
 “Kenda K398A Snow Thrower Tire” by Recstuff, Found Online [Sep. 20, 2017] [https://images.samsclubresources.com/is/image/samsclub/0040980014651\\_A?\\$img\\_size\\_380x380\\$](https://images.samsclubresources.com/is/image/samsclub/0040980014651_A?$img_size_380x380$).  
 “Rock-A-Billy” by Sedona, Found Online [Sep. 20, 2017] [http://sedonatiress3.amazonaws.com/styles/main\\_product/public/product\\_image/Rockabilly-1.jpg?itok=E1bWfwFM](http://sedonatiress3.amazonaws.com/styles/main_product/public/product_image/Rockabilly-1.jpg?itok=E1bWfwFM).  
 “Rip Saw RT” by Sedona, Found Online [Sep. 20, 2017] [http://sedonatiress3.amazonaws.com/styles/main\\_product/public/product\\_image/RipSawRT\\_rear.jpg?itok=FGiiljPA](http://sedonatiress3.amazonaws.com/styles/main_product/public/product_image/RipSawRT_rear.jpg?itok=FGiiljPA).  
 “Mudda Inlaw” by Sedona, Found Online [Sep. 20, 2017] [http://sedonatiress3.amazonaws.com/styles/main\\_product/public/product\\_image/Mudda-In-Law\\_rear.jpg?itok=1\\_Vr-NZ](http://sedonatiress3.amazonaws.com/styles/main_product/public/product_image/Mudda-In-Law_rear.jpg?itok=1_Vr-NZ).  
 “Mud Rebel RT” by Sedona, Found Online [Sep. 20, 2017] [http://sedonatiress3.amazonaws.com/styles/main\\_product/public/product\\_image/MudRebelRT\\_rear.jpg?itok=CcyDXiFy](http://sedonatiress3.amazonaws.com/styles/main_product/public/product_image/MudRebelRT_rear.jpg?itok=CcyDXiFy).  
 “Mud Rebel” by Sedona, Found Online [Sep. 20, 2017] [http://sedonatiress3.amazonaws.com/styles/main\\_product/public/product\\_image/MudRebel\\_rear.jpg?itok=mpFC\\_bBi](http://sedonatiress3.amazonaws.com/styles/main_product/public/product_image/MudRebel_rear.jpg?itok=mpFC_bBi).  
 “Buzz Saw XC” by Sedona, Found Online [Sep. 20, 2017] [http://sedonatiress3.amazonaws.com/styles/main\\_product/public/product\\_image/BuzzSawXC\\_rear.jpg?itok=MS8LUA1O](http://sedonatiress3.amazonaws.com/styles/main_product/public/product_image/BuzzSawXC_rear.jpg?itok=MS8LUA1O).  
 “Buzz Saw RT” by Sedona, Found Online [Sep. 20, 2017] [http://sedonatiress3.amazonaws.com/styles/main\\_product/public/product\\_image/BuzzSawRT\\_rear.jpg?itok=YoISS30o](http://sedonatiress3.amazonaws.com/styles/main_product/public/product_image/BuzzSawRT_rear.jpg?itok=YoISS30o).  
 “Bazooka” by Sedona, Found Online [Sep. 20, 2017] [http://sedonatiress3.amazonaws.com/styles/main\\_product/public/product\\_image/bazooka.jpg?itok=gvUvXB0V](http://sedonatiress3.amazonaws.com/styles/main_product/public/product_image/bazooka.jpg?itok=gvUvXB0V).

\* cited by examiner

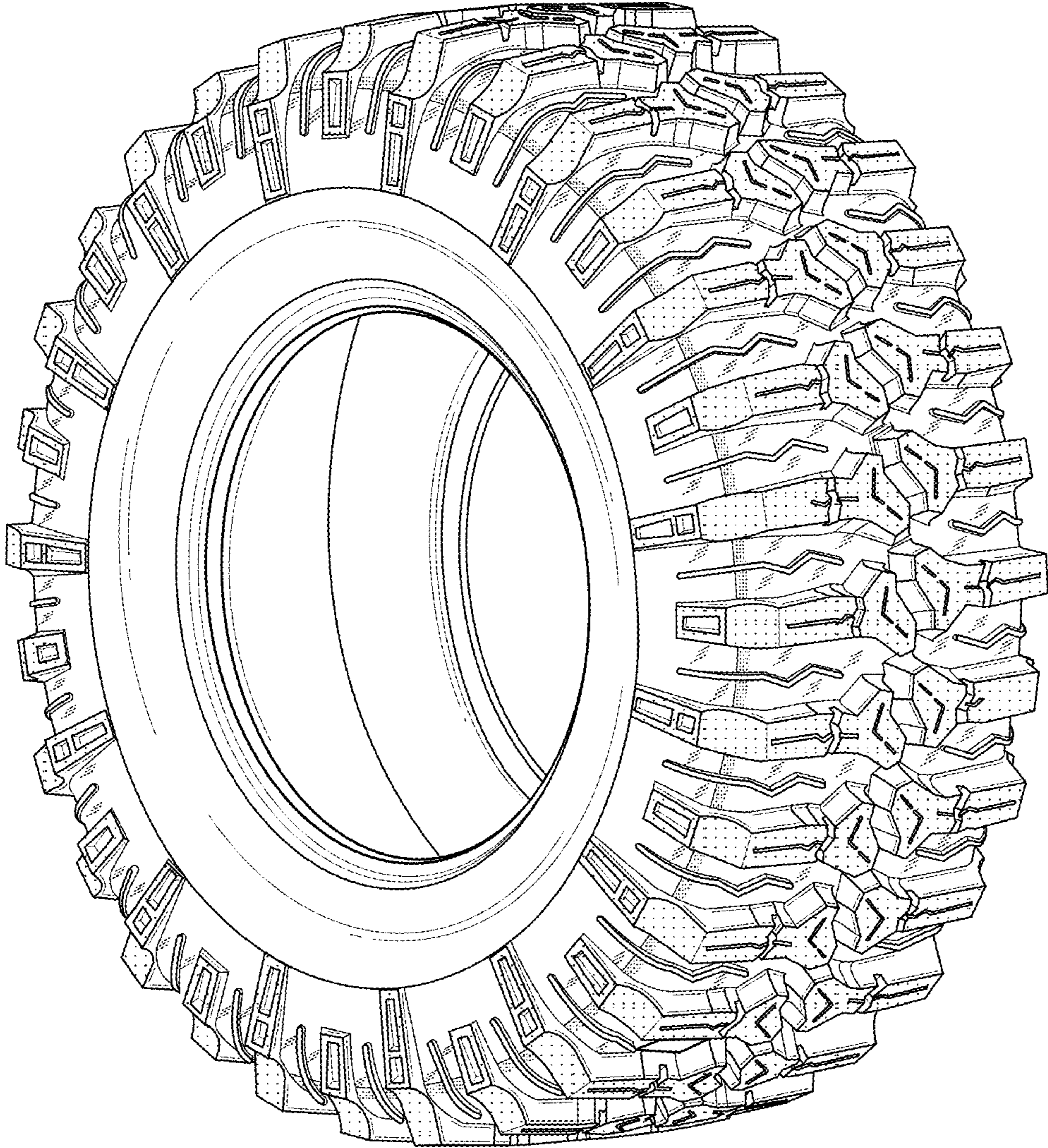
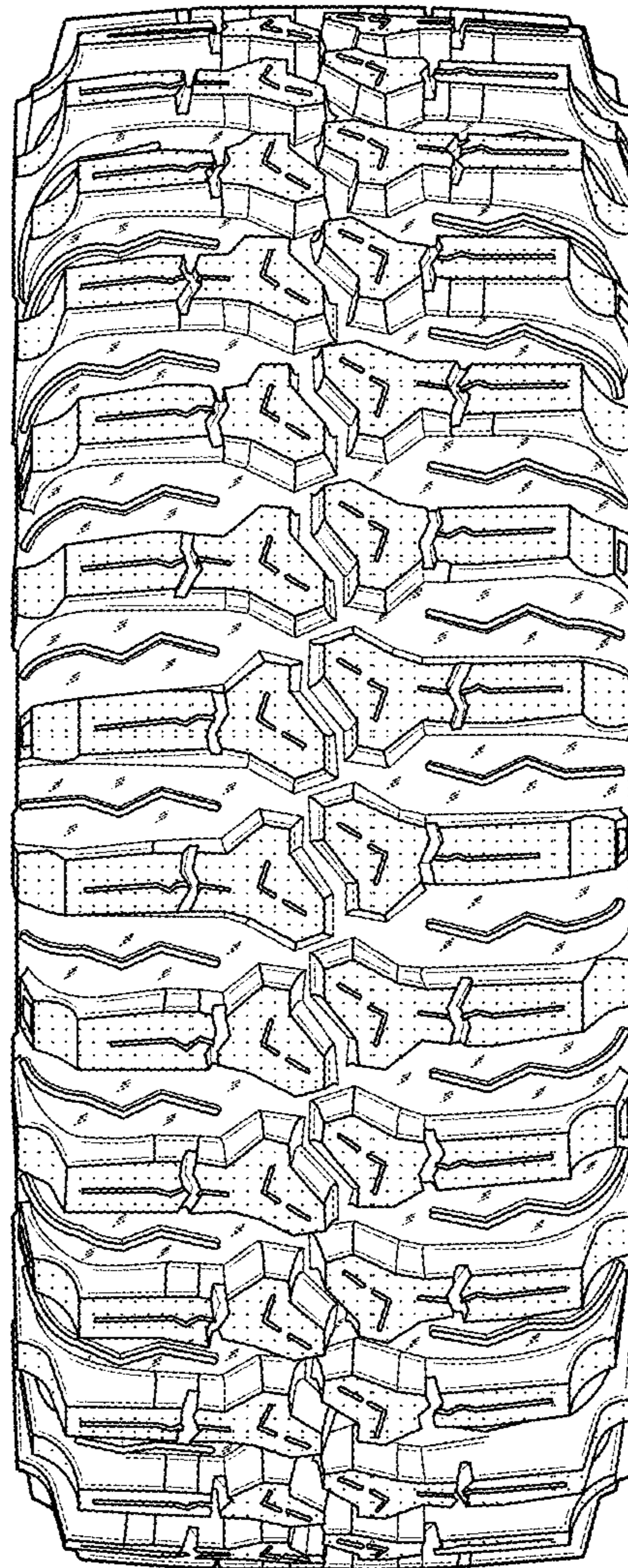


FIG. 1



**FIG. 2**

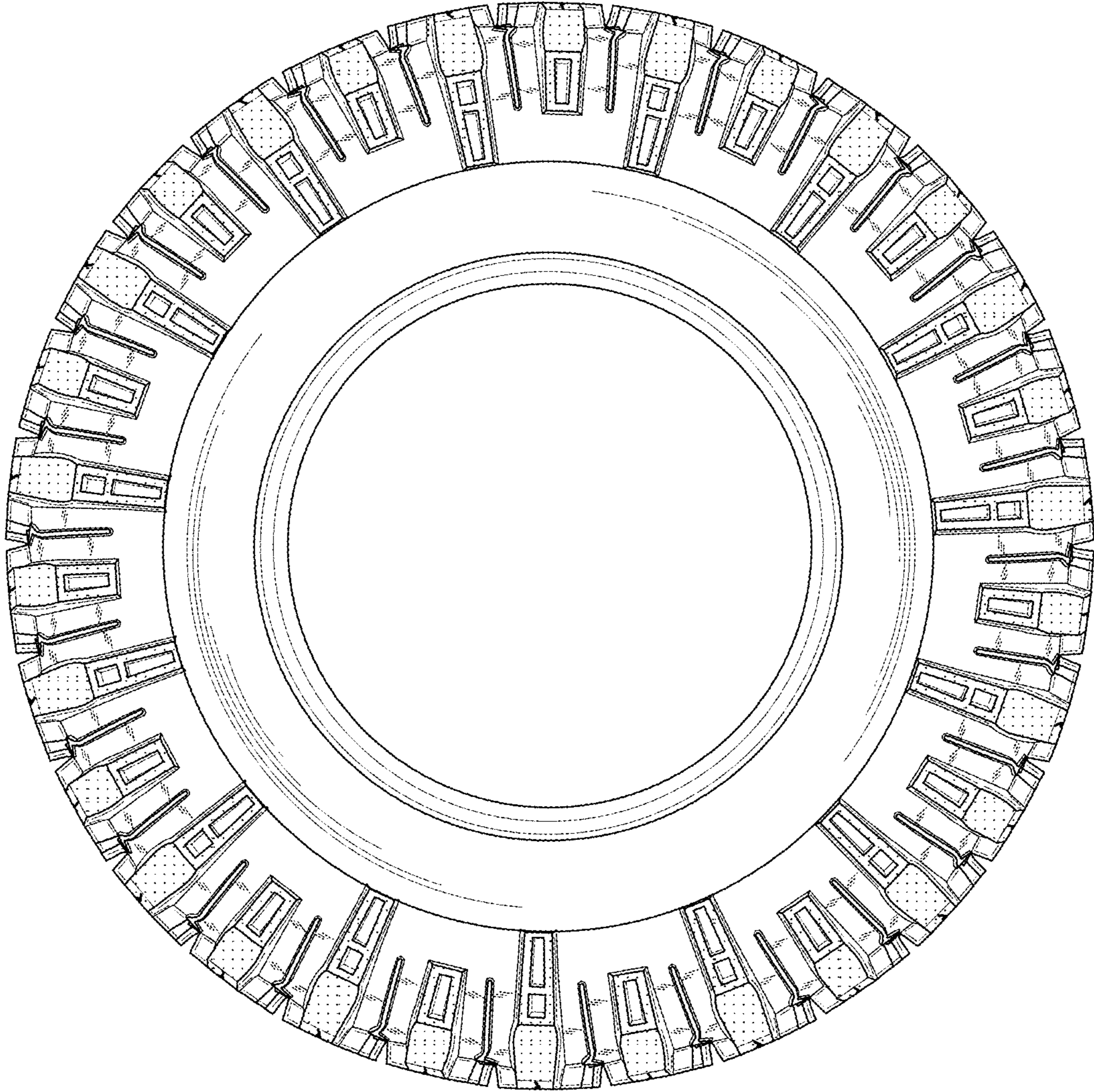


FIG. 3