



US00D827558S

(12) **United States Design Patent**
Taniguchi

(10) **Patent No.:** **US D827,558 S**

(45) **Date of Patent:** **** Sep. 4, 2018**

(54) **TIRE**

(71) Applicant: **TOYO TIRE & RUBBER CO., LTD.**,
Osaka-shi, Osaka (JP)

(72) Inventor: **Jiro Taniguchi**, Osaka (JP)

(73) Assignee: **Toyo Tire & Rubber Co., Ltd.**, Osaka
(JP)

(**) Term: **15 Years**

(21) Appl. No.: **29/574,897**

(22) Filed: **Aug. 19, 2016**

(30) **Foreign Application Priority Data**

Mar. 30, 2016 (JP) 2016-007031

(51) **LOC (11) Cl.** **12-15**

(52) **U.S. Cl.**
USPC **D12/553; D12/900**

(58) **Field of Classification Search**
USPC D12/544, 551, 552, 553, 555, 556
CPC B60C 11/0302; B60C 2011/0313
See application file for complete search history.

(56) **References Cited**

U.S. PATENT DOCUMENTS

D595,219 S * 6/2009 Yamakawa D12/553
D607,400 S 1/2010 Kang

D626,911 S 11/2010 Takashima
D683,301 S * 5/2013 Kang D12/552
D733,038 S 6/2015 Raatikainen et al.
D777,090 S * 1/2017 Kang D12/553
D786,180 S * 5/2017 Honda D12/552

* cited by examiner

Primary Examiner — Robert M. Spear
(74) *Attorney, Agent, or Firm* — Sterne, Kessler,
Goldstein & Fox P.L.L.C.

(57) **CLAIM**

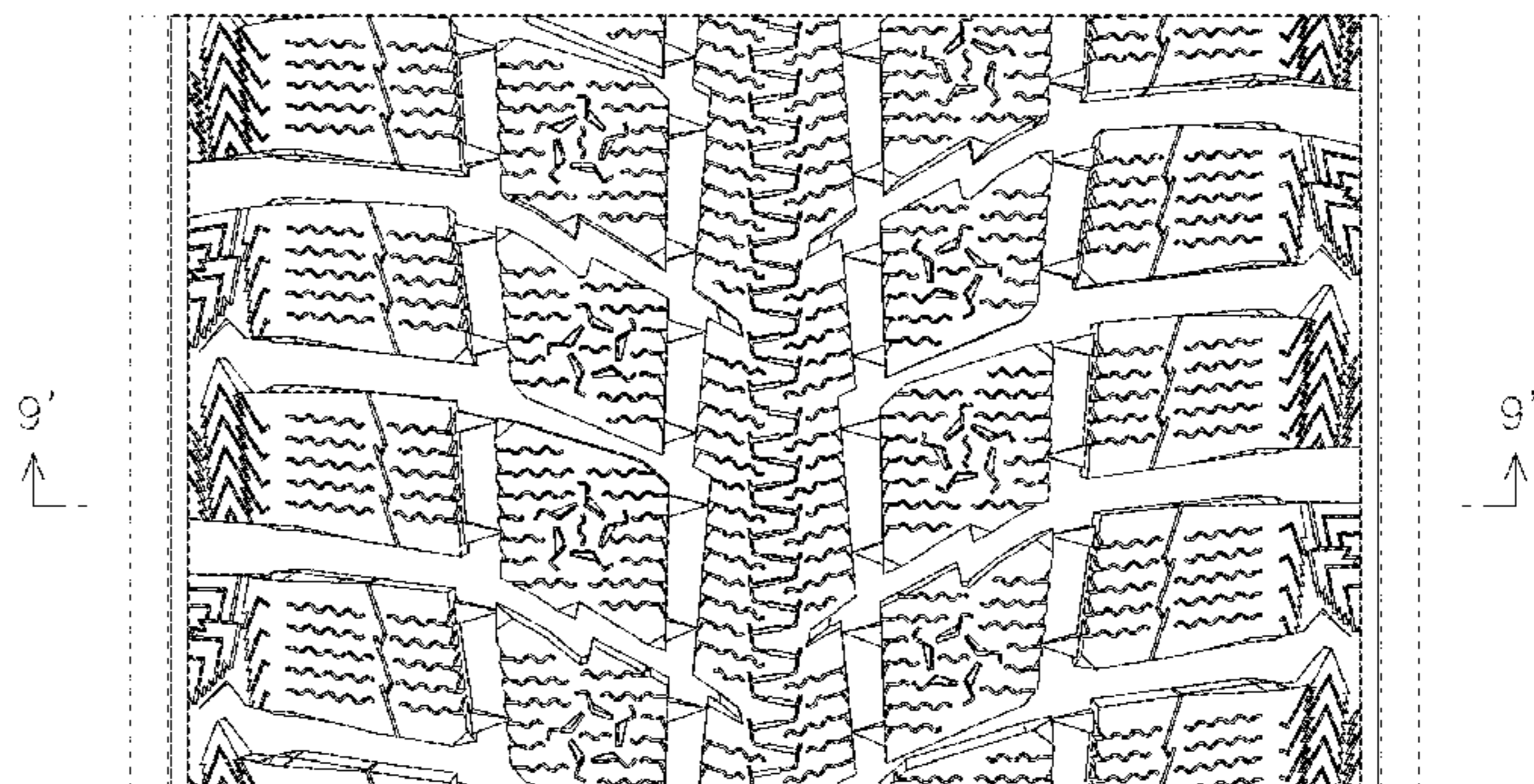
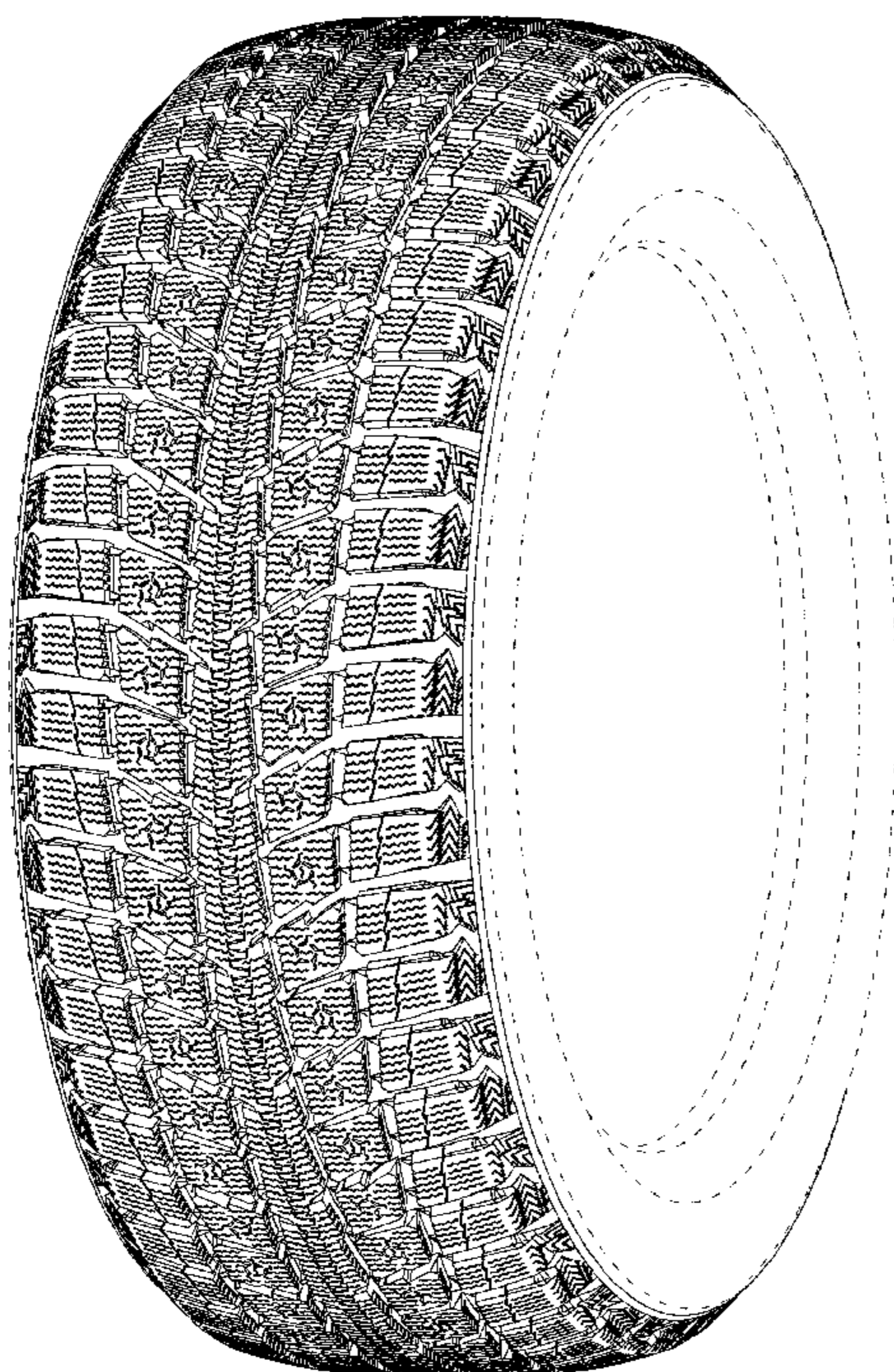
The ornamental design for a tire, as shown and described.

DESCRIPTION

FIG. 1 is a perspective view of a tire showing the claimed design;
FIG. 2 is a front view thereof;
FIG. 3 is a rear view thereof;
FIG. 4 is a top plan view thereof;
FIG. 5 is a bottom plan view thereof;
FIG. 6 is a right side view thereof;
FIG. 7 is a left side view thereof;
FIG. 8 is an enlarged view of the portion 8-8 in FIG. 2; and,
FIG. 9 is a cross-sectional view taken along line 9'-9' in FIG. 8 to line 9-9 in FIG. 6.

In the drawings, the broken lines showing portions of the sidewall, inner bead, and peripheral boundary depict portions of the tire that form no part of the claimed design.

1 Claim, 9 Drawing Sheets



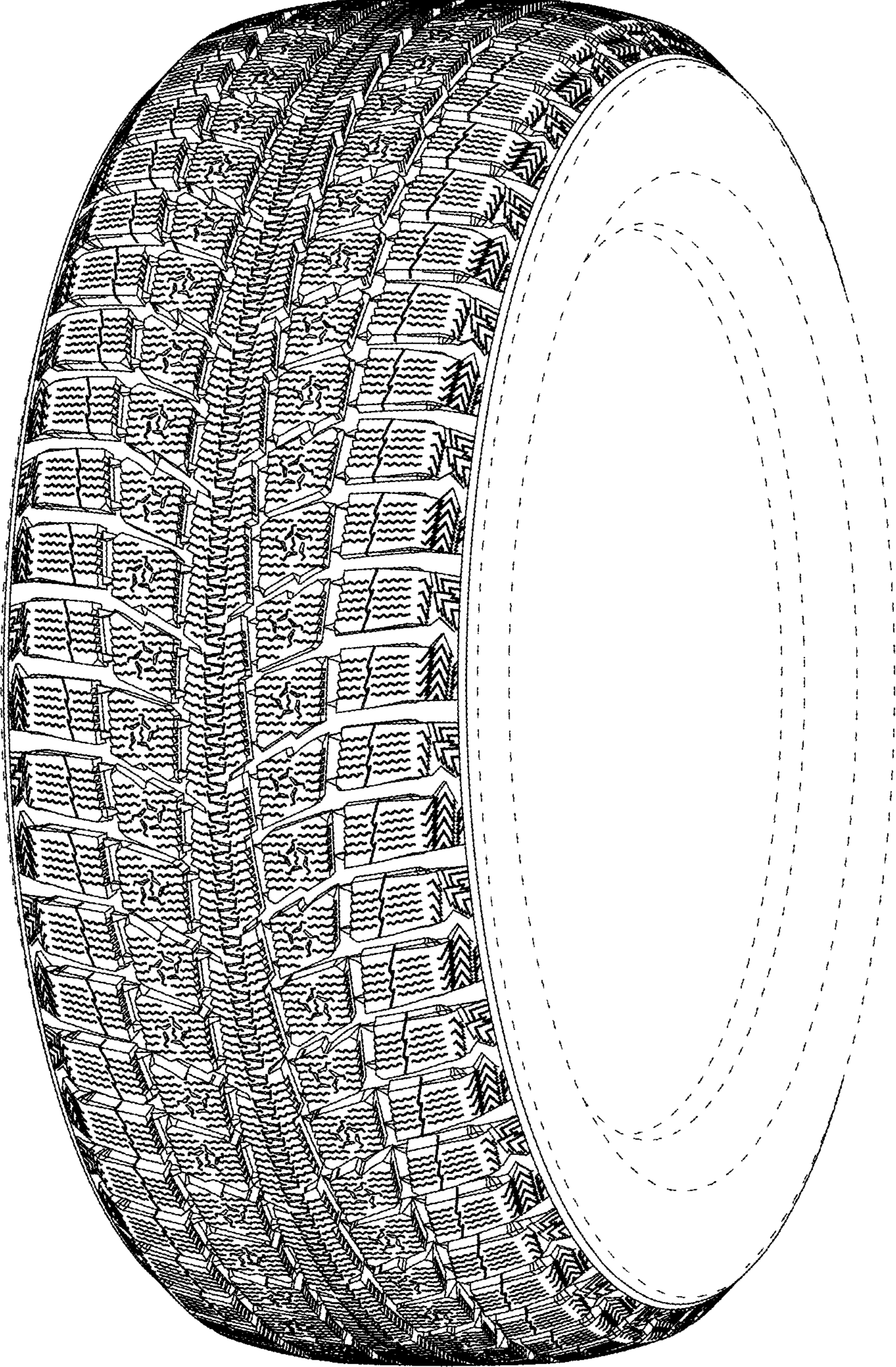


FIG. 1

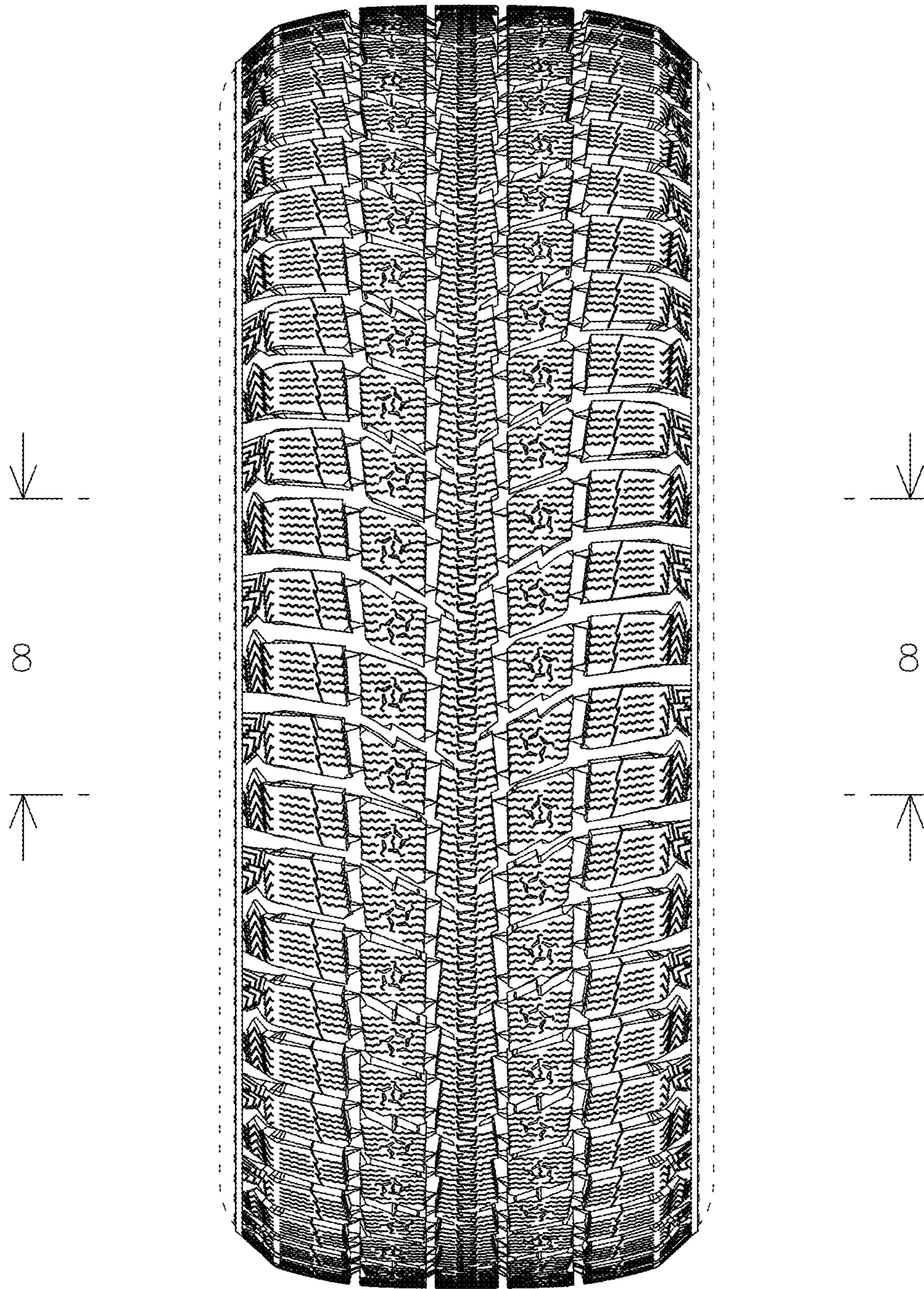


FIG. 2

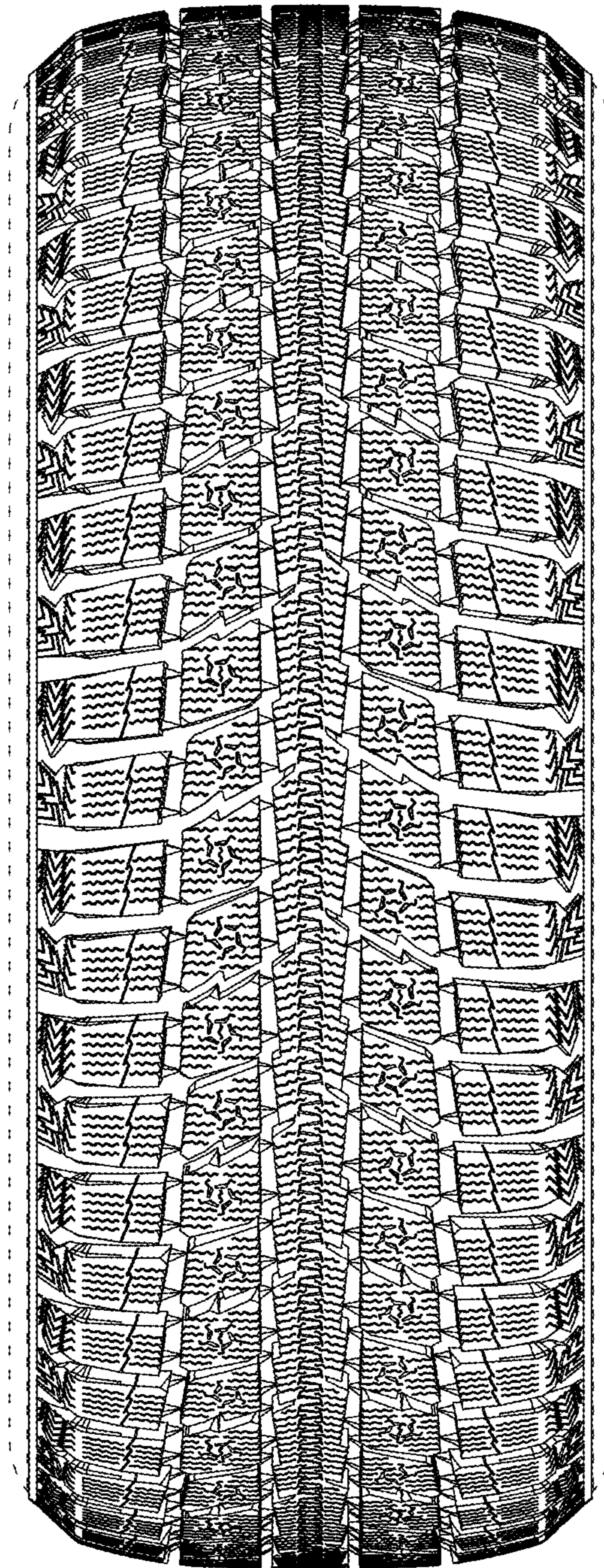


FIG. 3

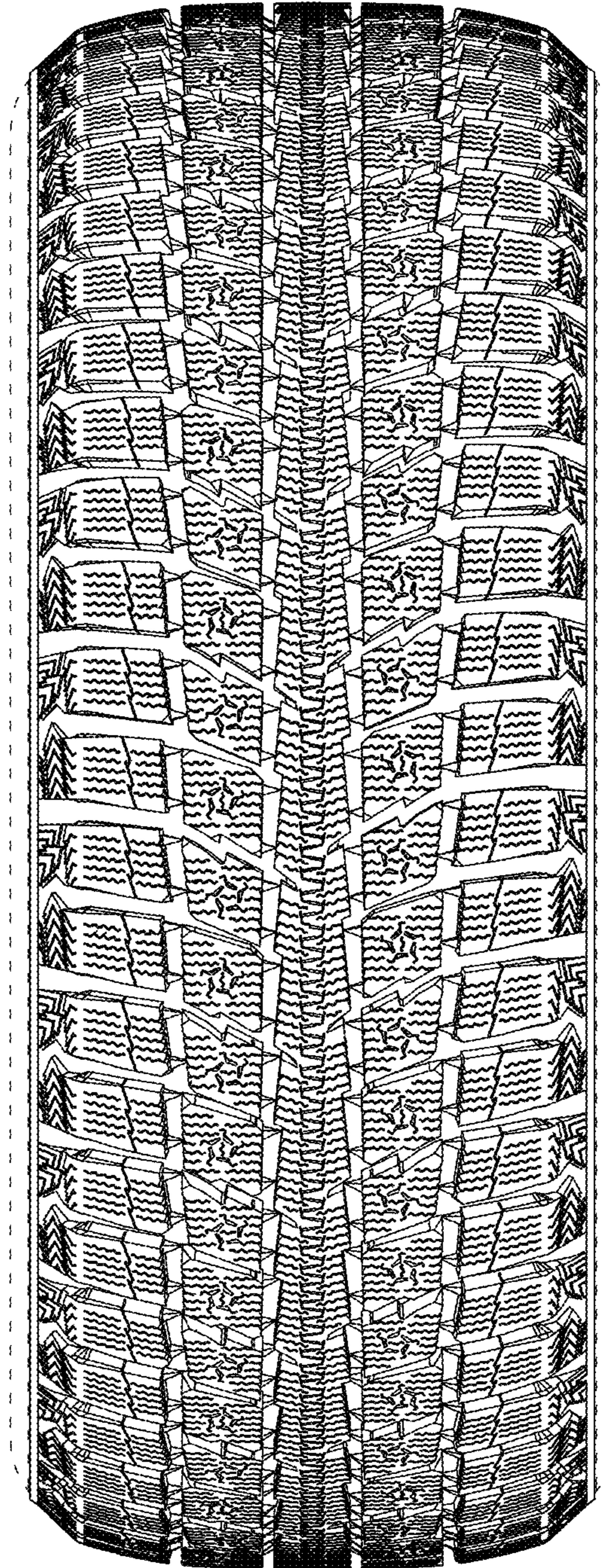


FIG. 4

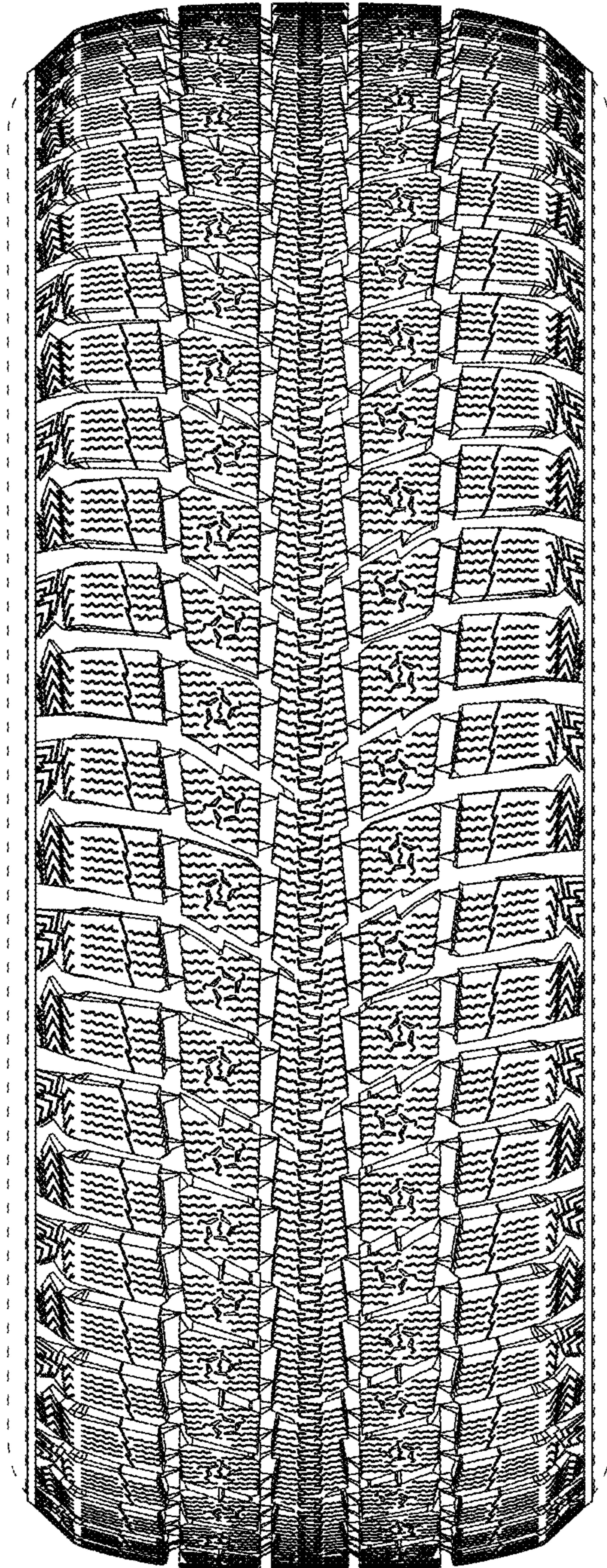


FIG. 5

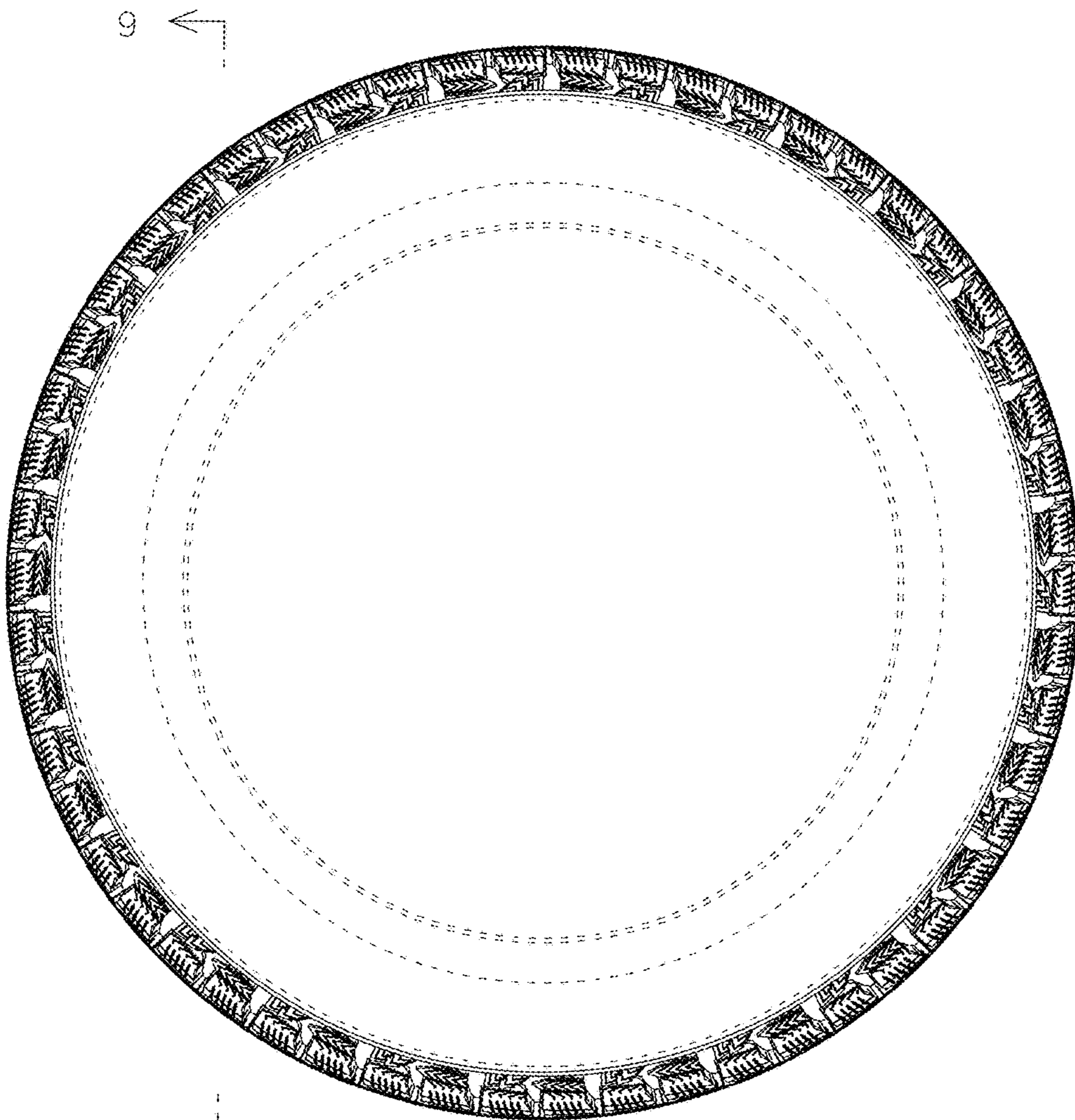


FIG. 6

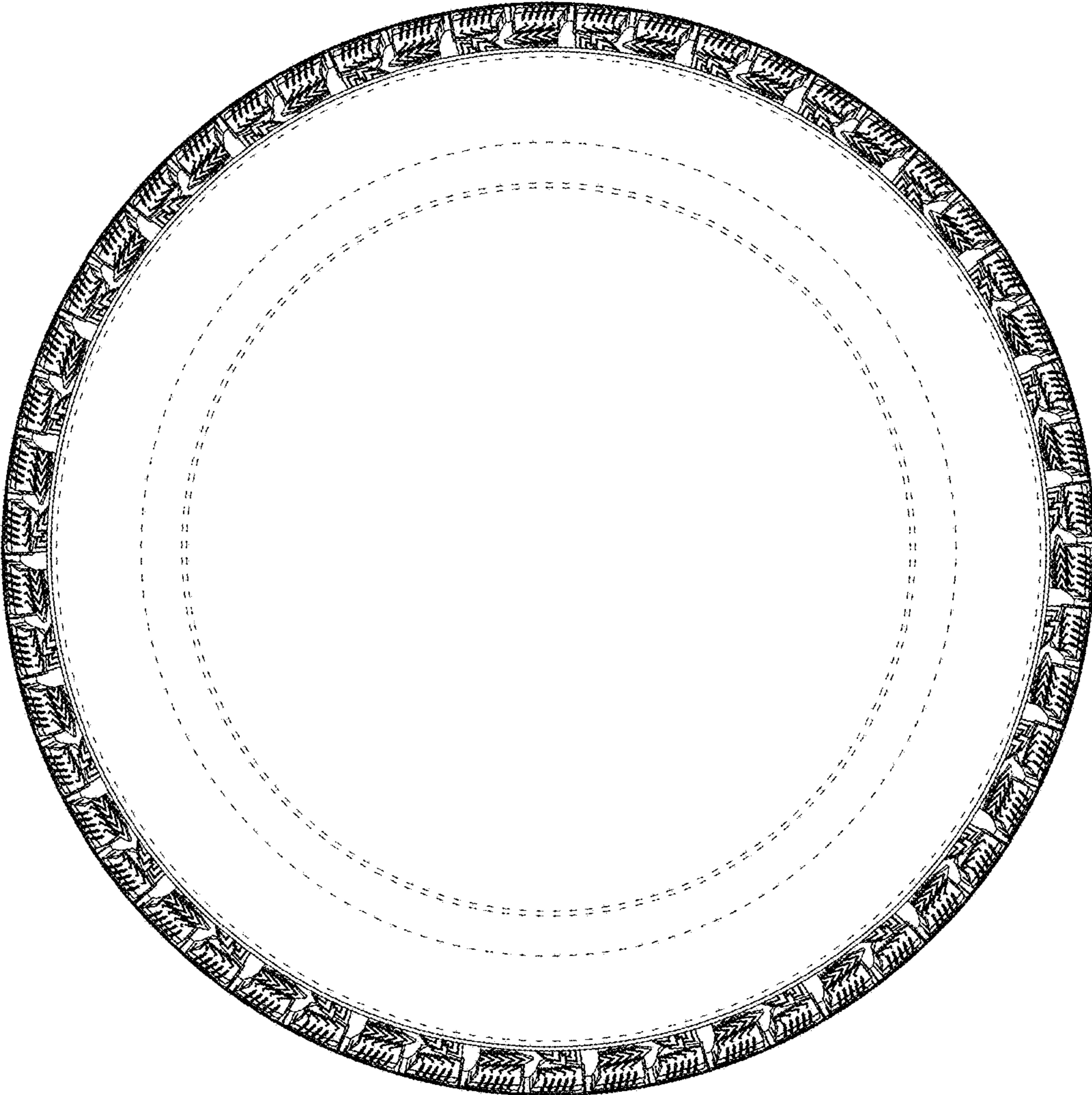


FIG. 7

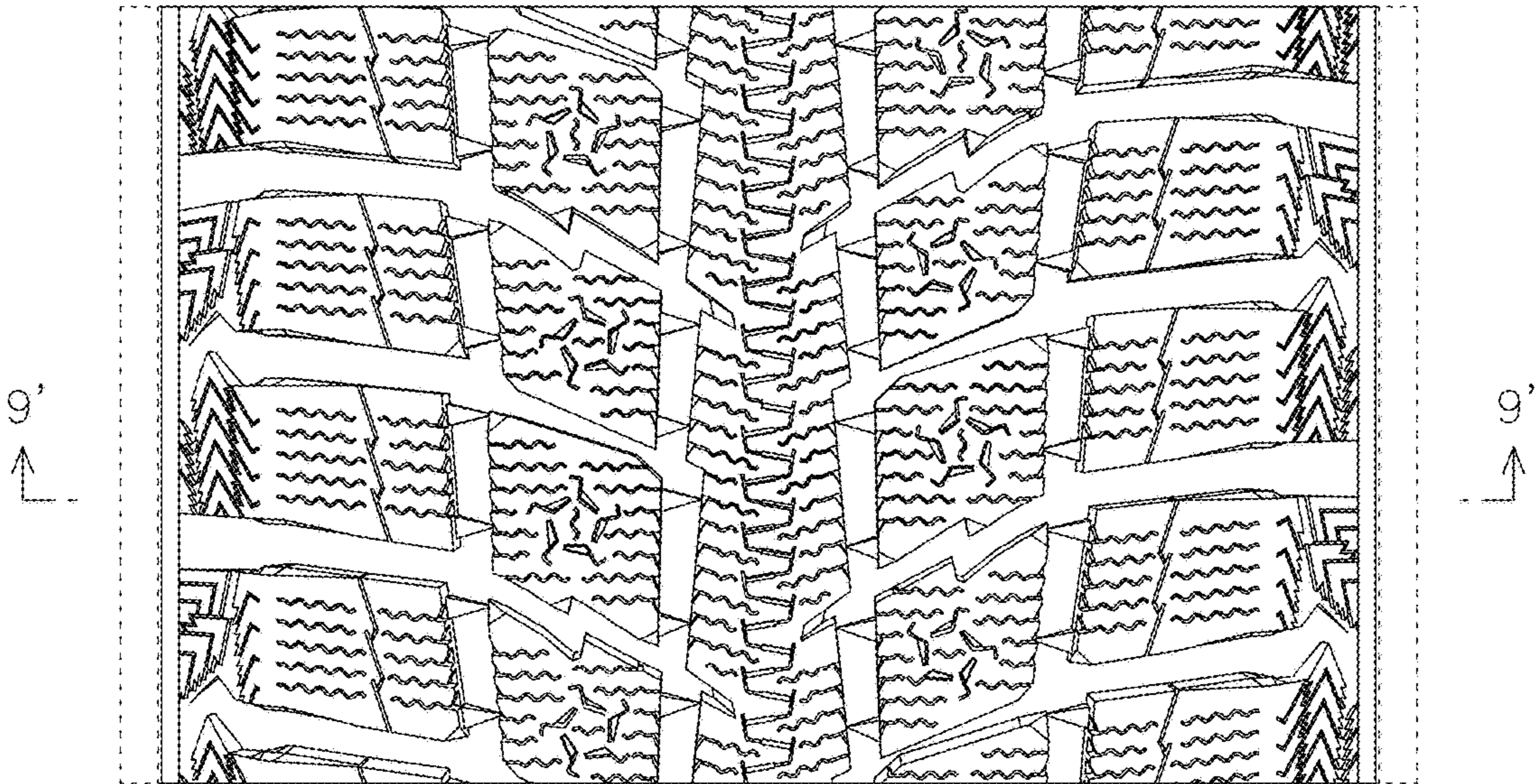


FIG. 8

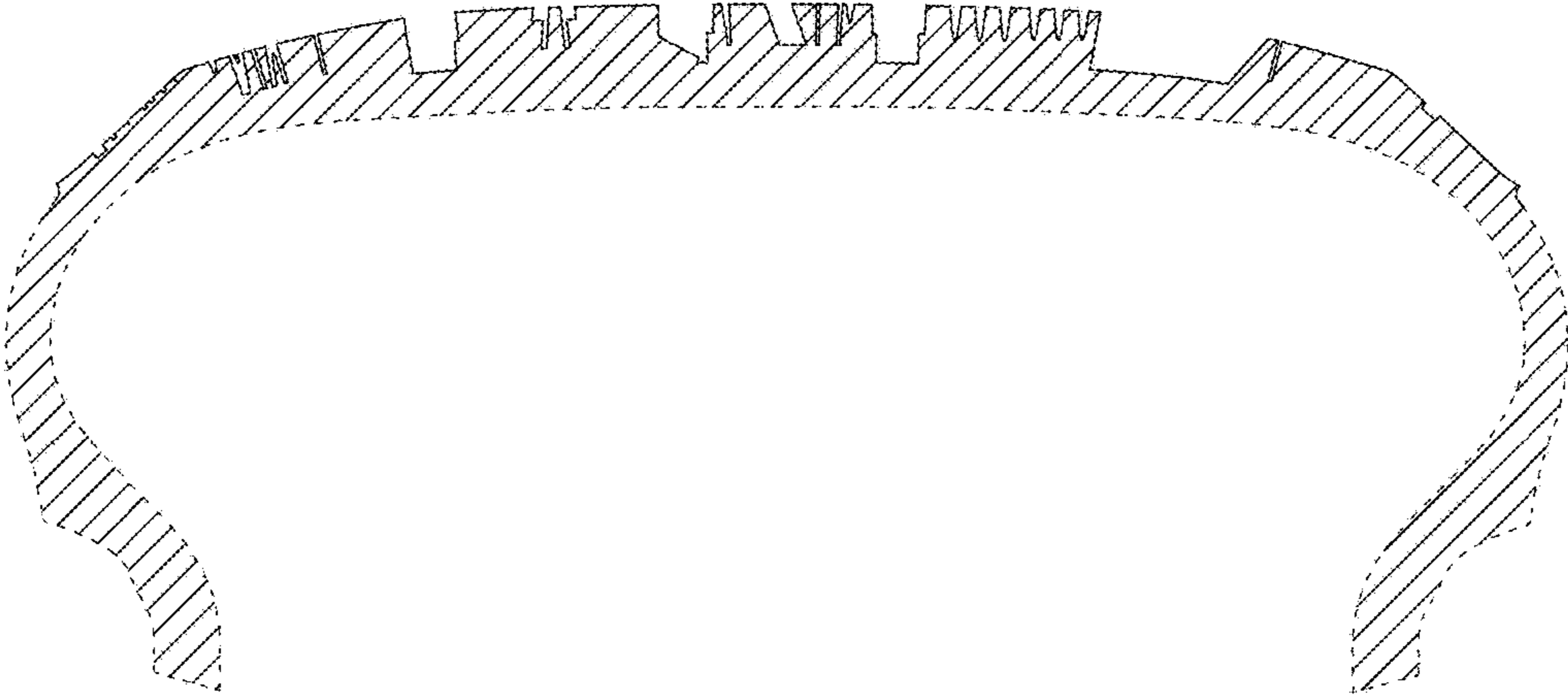


FIG. 9