



US00D827549S

(12) **United States Design Patent**  
**Igarashi et al.**

(10) **Patent No.:** **US D827,549 S**  
(45) **Date of Patent:** **\*\* Sep. 4, 2018**

(54) **CENTER CONSOLE FOR AN AUTOMOBILE**

(71) Applicant: **Nissan Motor Co., Ltd.**, Yokohama,  
Kanagawa (JP)

(72) Inventors: **Tomihisa Igarashi**, Kanagawa (JP);  
**Toshi Yamamoto**, Kanagawa (JP)

(73) Assignee: **Nissan Motor Co., Ltd.**, Yokohama  
(JP)

(\*\*) Term: **15 Years**

(21) Appl. No.: **29/568,914**

(22) Filed: **Jun. 22, 2016**

(30) **Foreign Application Priority Data**

Dec. 23, 2015 (JP) ..... 2015-028601

(51) **LOC (11) Cl.** ..... **12-16**

(52) **U.S. Cl.**  
USPC ..... **D12/419**

(58) **Field of Classification Search**  
USPC ..... D12/414, 415, 416, 417, 418, 419, 420,  
D12/422, 421, 424, 425, 426, 190, 192,  
D12/195, 191, 106, 345, 96, 99, 400  
CPC ..... B60R 7/04; B60R 7/08  
See application file for complete search history.

(56) **References Cited**

U.S. PATENT DOCUMENTS

D313,962 S *	1/1991	Haag	.....	D12/421
D459,288 S *	6/2002	Tsay	.....	D12/415
D501,811 S *	2/2005	Fukuda	.....	D12/192
D538,737 S *	3/2007	Scully	.....	D12/421
D568,232 S *	5/2008	Motozaki	.....	D12/421
D711,810 S *	8/2014	Matsuo	.....	D12/424
D711,811 S *	8/2014	Maruyama	.....	D12/424
D718,218 S *	11/2014	Tanaka	.....	D12/424
D724,521 S *	3/2015	Ashley	.....	D12/419

D725,583 S *	3/2015	Seki	.....	D12/419
D766,811 S *	9/2016	Shouno	.....	D12/419
D766,812 S *	9/2016	Kabata	.....	D12/423
D781,210 S *	3/2017	Itou	.....	D12/419
D781,211 S *	3/2017	Satou	.....	D12/419
D808,330 S *	1/2018	Kuwahara	.....	D12/419

FOREIGN PATENT DOCUMENTS

JP	D1332121 S	6/2008
JP	D1267418 S	3/2009
JP	D1369199 S	9/2009
JP	D1367250 S	8/2011

(Continued)

*Primary Examiner* — Karen S Acker  
*Assistant Examiner* — Jerry Shiuhan-Hua Hsu

(57) **CLAIM**

The ornamental design for a center console for an automobile, as shown and described.

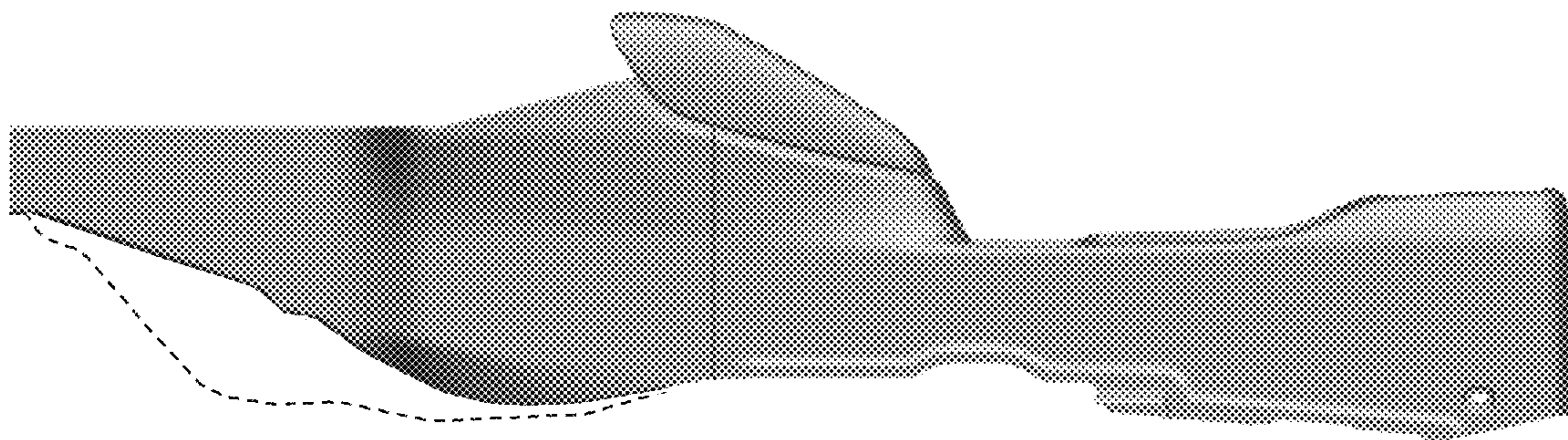
**DESCRIPTION**

FIG. 1 is a front elevational view of a center console for an automobile in accordance with our new design;  
FIG. 2 is a rear elevational view thereof;  
FIG. 3 is a top plan view thereof;  
FIG. 4 is a bottom plan view thereof;  
FIG. 5 is a left side elevational view thereof;  
FIG. 6 is a right side elevational view thereof;  
FIG. 7 is a front, left perspective view thereof; and,  
FIG. 8 is a rear, right perspective view thereof.

The inside surfaces of the center console, shown in broken lines in FIGS. 1 to 5, 7 and 8, form no part of the claimed design since the inside surfaces are hidden when the center console is mounted to an automobile.

A second embodiment of our new design is identical to the first embodiment. The second embodiment of our new design includes the mirror image of the center console shown in FIGS. 1 to 8.

**1 Claim, 8 Drawing Sheets**



(56)

**References Cited**

FOREIGN PATENT DOCUMENTS

JP	D1449367 S	8/2012
JP	D1505889 S	8/2015
JP	D1531052 S	8/2015
JP	D1537684 S	10/2017

\* cited by examiner

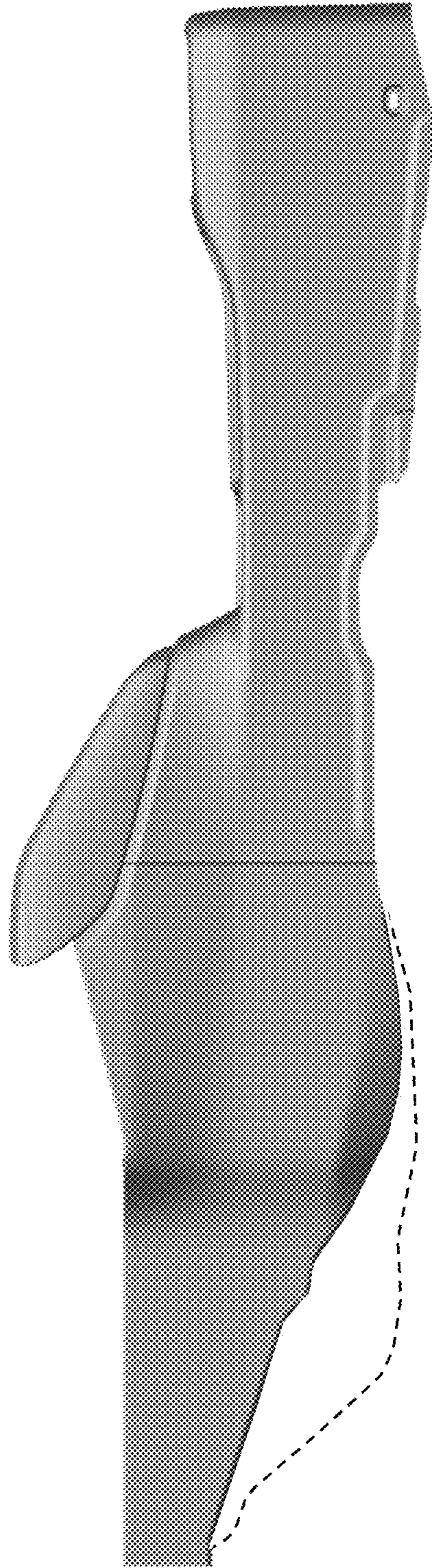


FIG. 1

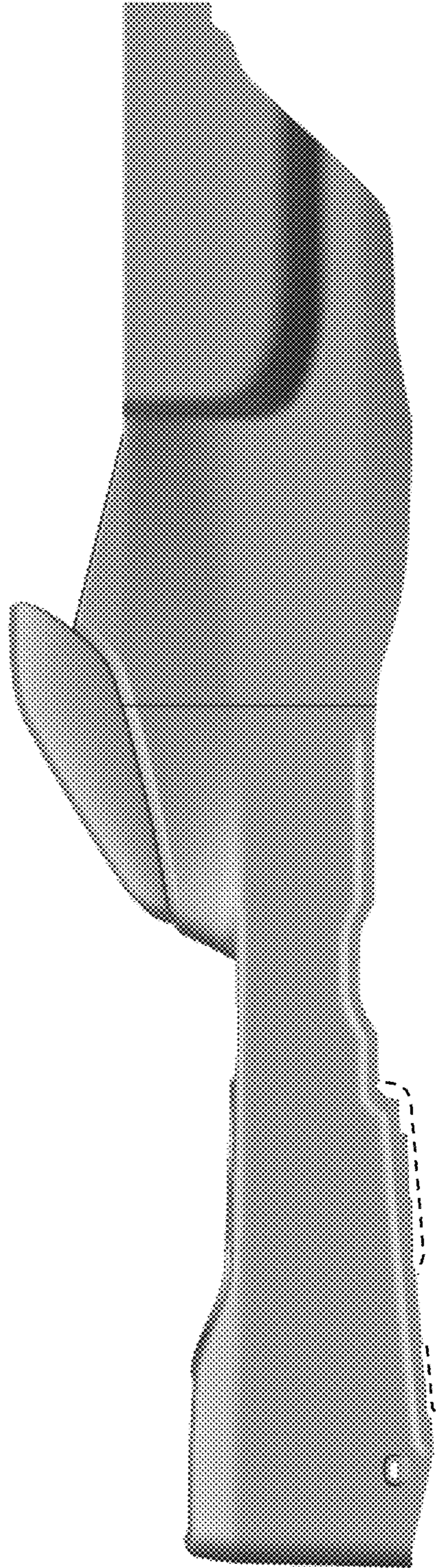


FIG. 2

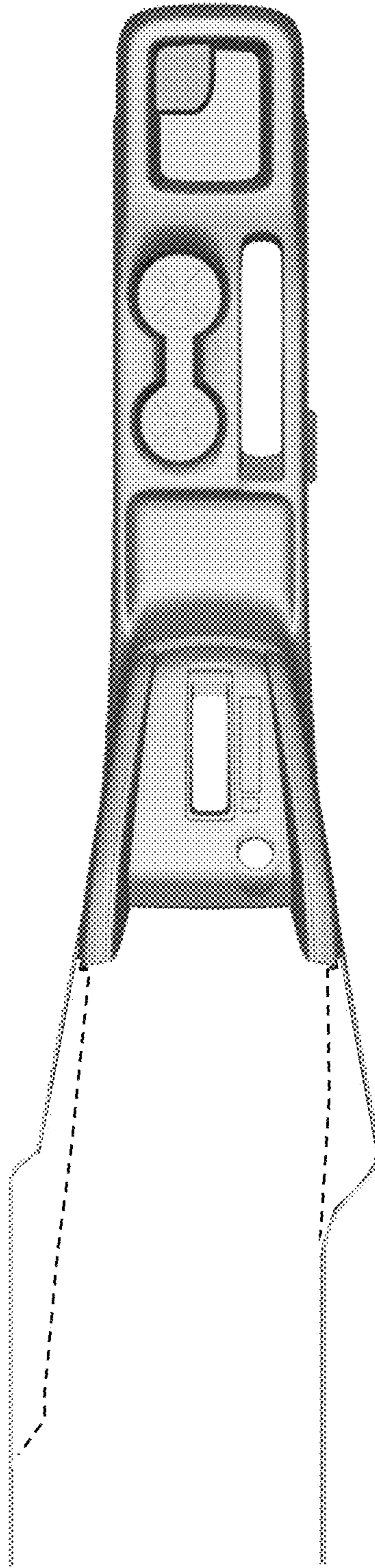


FIG. 3

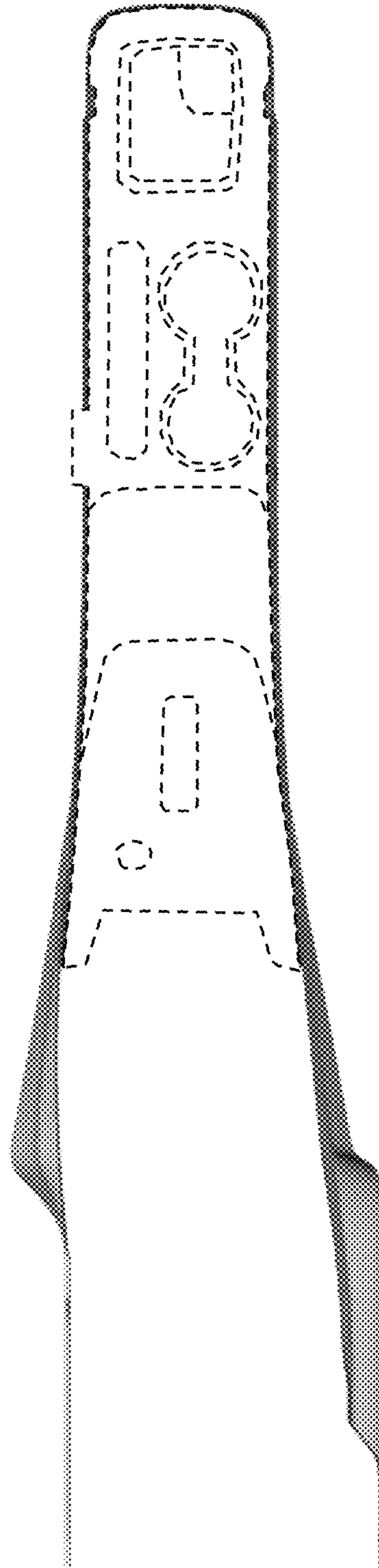


FIG. 4

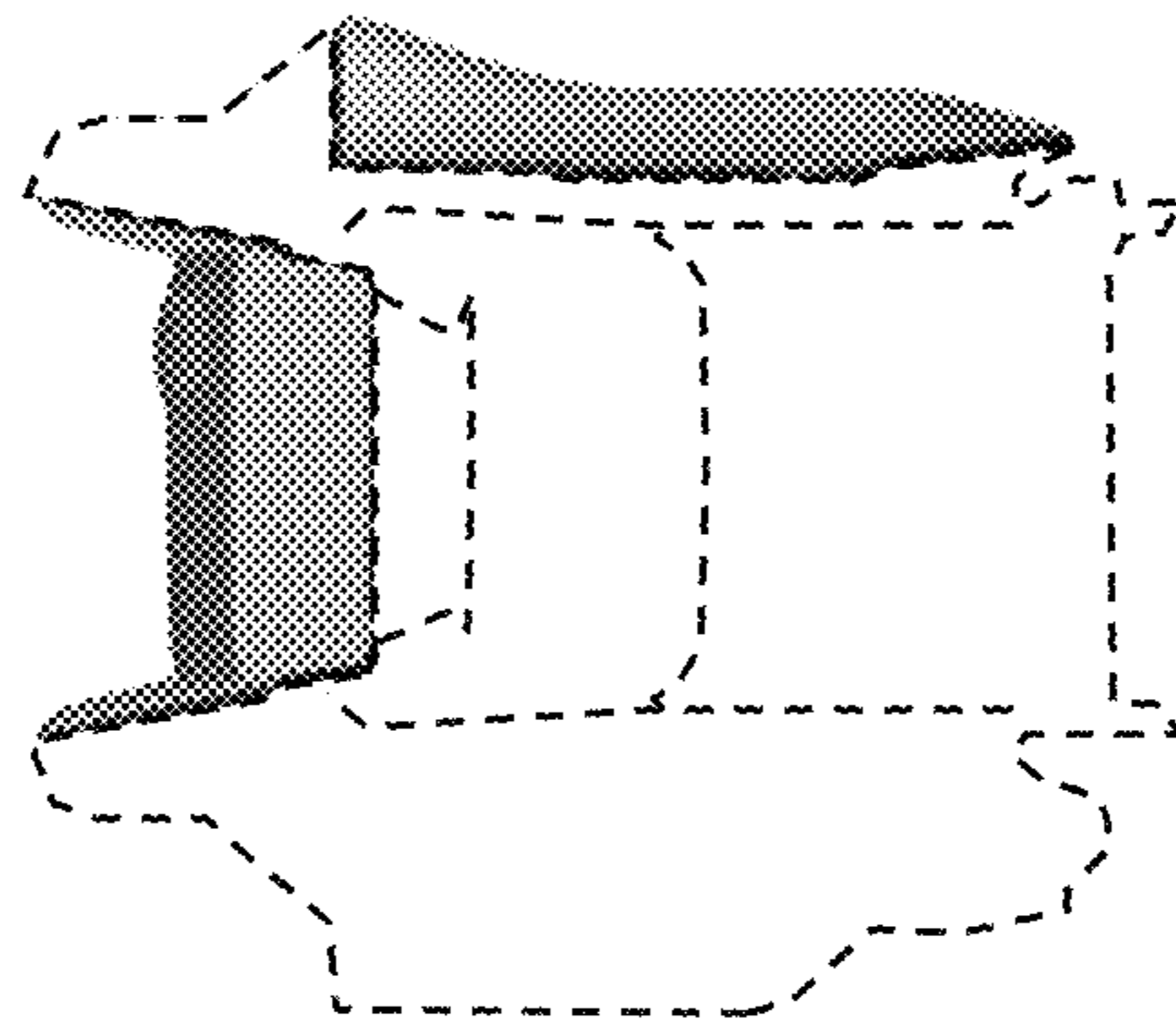


FIG. 5

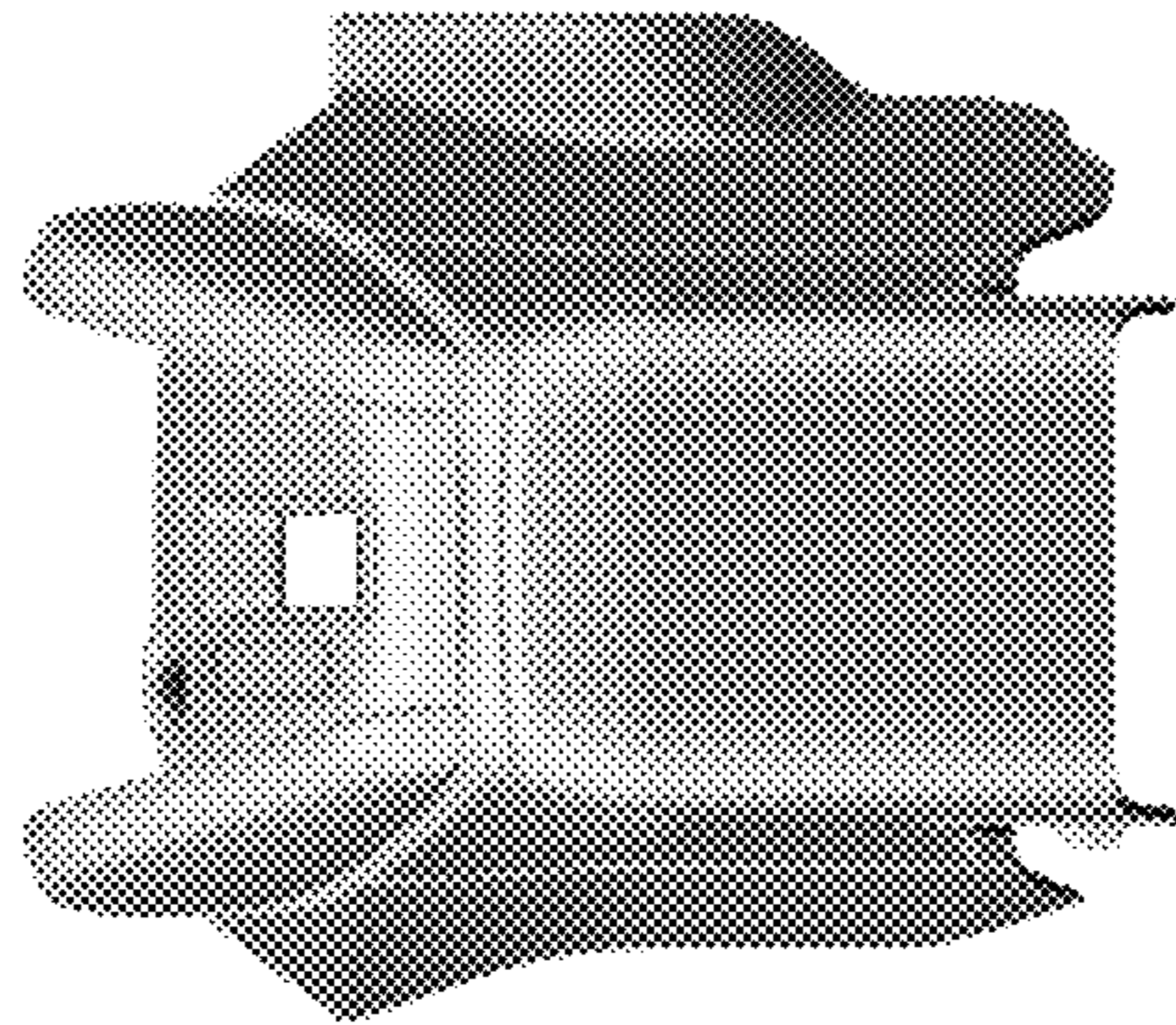


FIG. 6



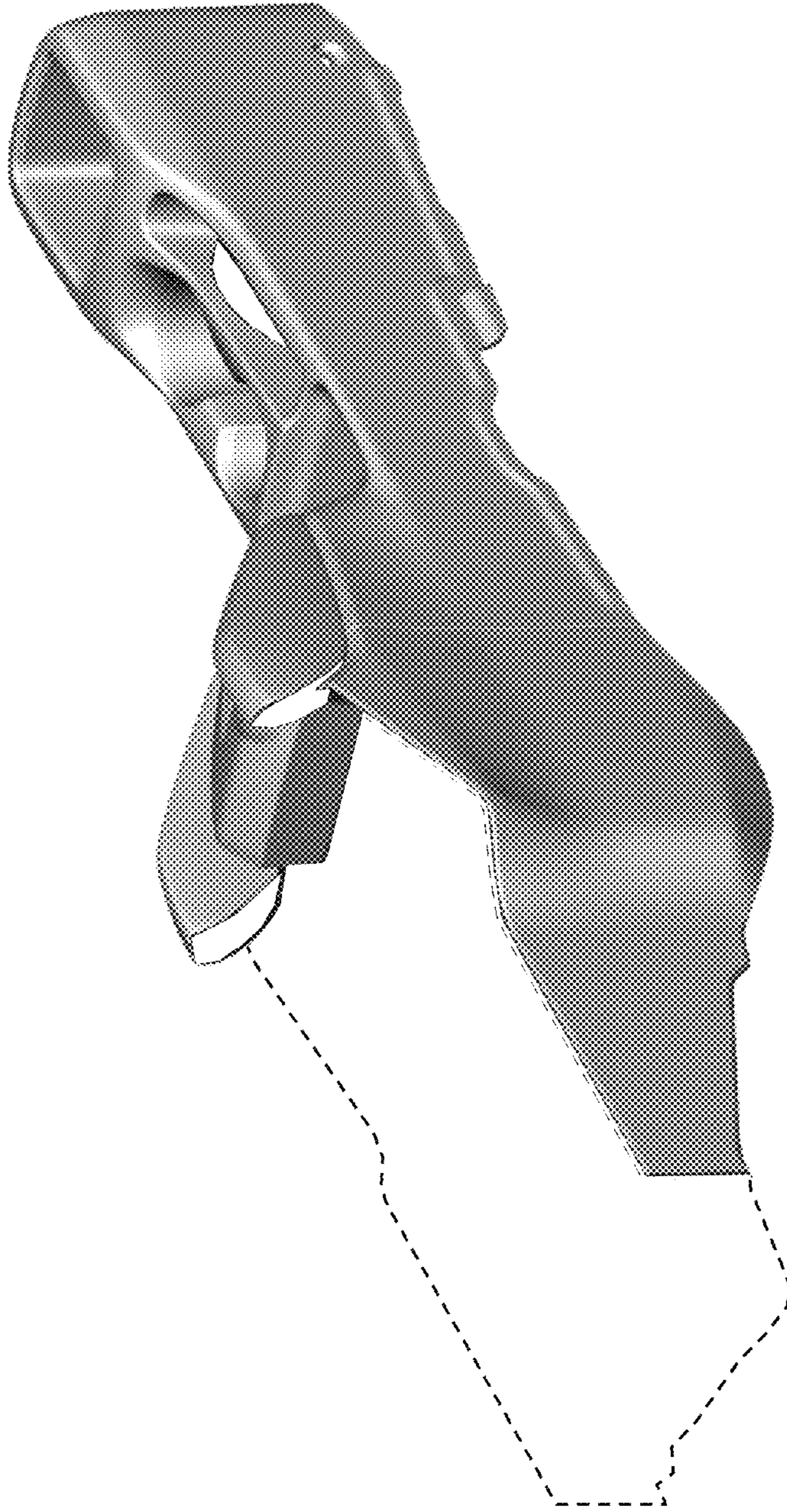


FIG. 7

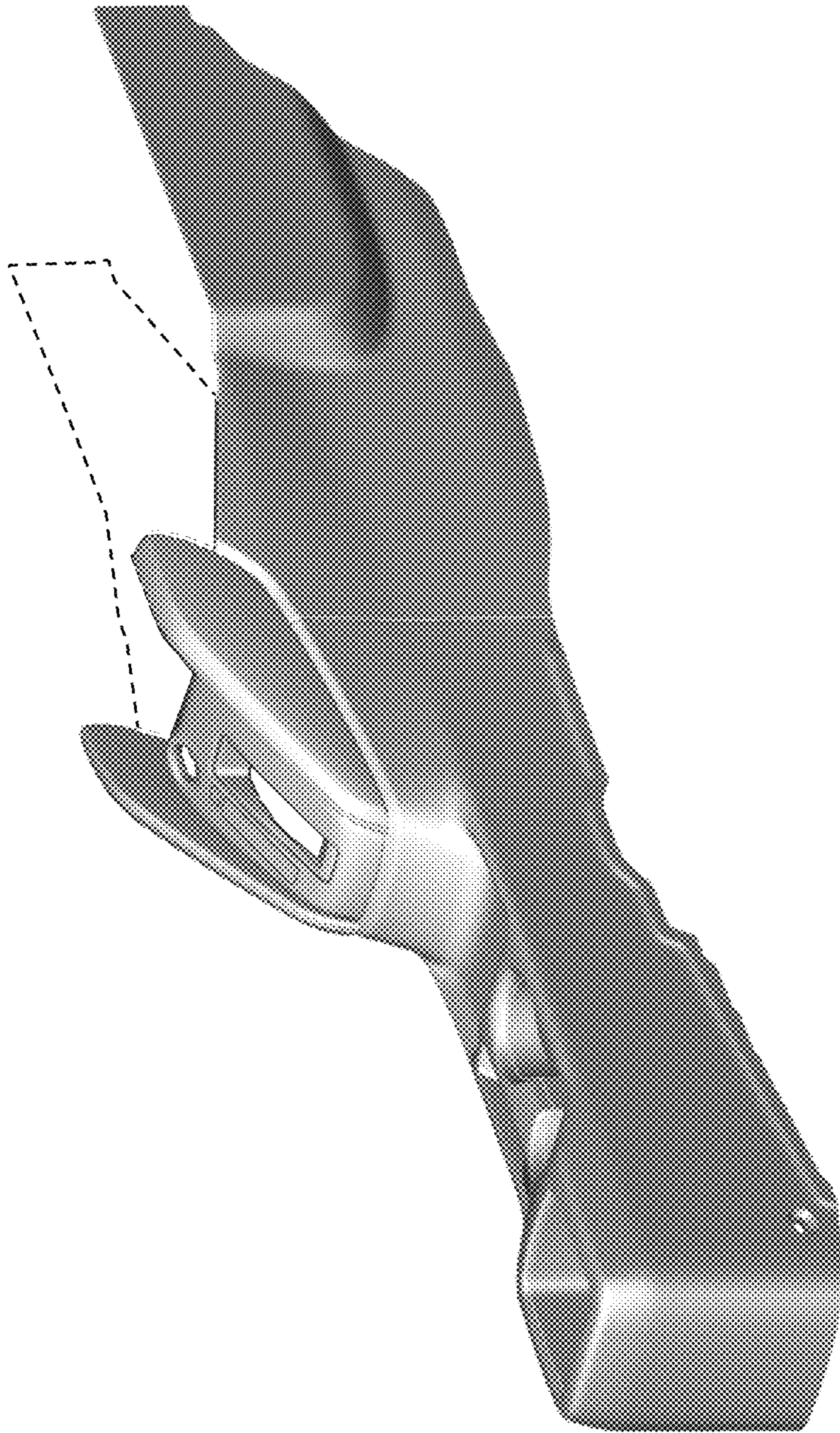


FIG. 8