



US00D827548S

(12) **United States Design Patent**
Ceccarelli

(10) **Patent No.:** **US D827,548 S**

(45) **Date of Patent:** **** Sep. 4, 2018**

(54) **MARINE DRIFT ANCHOR**

(71) Applicant: **Charles J Ceccarelli**, Mountain Home,
ID (US)

(72) Inventor: **Charles J Ceccarelli**, Mountain Home,
ID (US)

(**) Term: **15 Years**

(21) Appl. No.: **29/593,466**

(22) Filed: **Feb. 8, 2017**

(51) **LOC (11) Cl.** **12-06**

(52) **U.S. Cl.**
USPC **D12/215**

(58) **Field of Classification Search**
USPC D12/215, 300, 317; D15/139; D23/201;
D30/110
CPC B63B 21/24; B63B 21/243; B63B 21/32;
B63B 21/34
See application file for complete search history.

(56) **References Cited**

U.S. PATENT DOCUMENTS

- | | | | | | |
|-----------|-----|--------|------------|-------|-------------|
| 3,402,689 | A * | 9/1968 | James, Jr. | | B63B 21/29 |
| | | | | | 114/300 |
| 3,564,945 | A * | 2/1971 | Bradley | | B23B 51/009 |
| | | | | | 408/224 |
| D248,880 | S * | 8/1978 | Podjan | | D30/110 |
| D256,578 | S * | 8/1980 | Oberg | | D12/215 |
| D280,193 | S * | 8/1985 | Spanner | | D12/215 |
| D289,153 | S * | 4/1987 | Silberman | | D12/215 |
| D315,136 | S * | 3/1991 | Abernethy | | D12/215 |

(Continued)

Primary Examiner — George D Kirschbaum

Assistant Examiner — Clese Moore, Jr.

(74) *Attorney, Agent, or Firm* — Charles R. Clark

(57) **CLAIM**

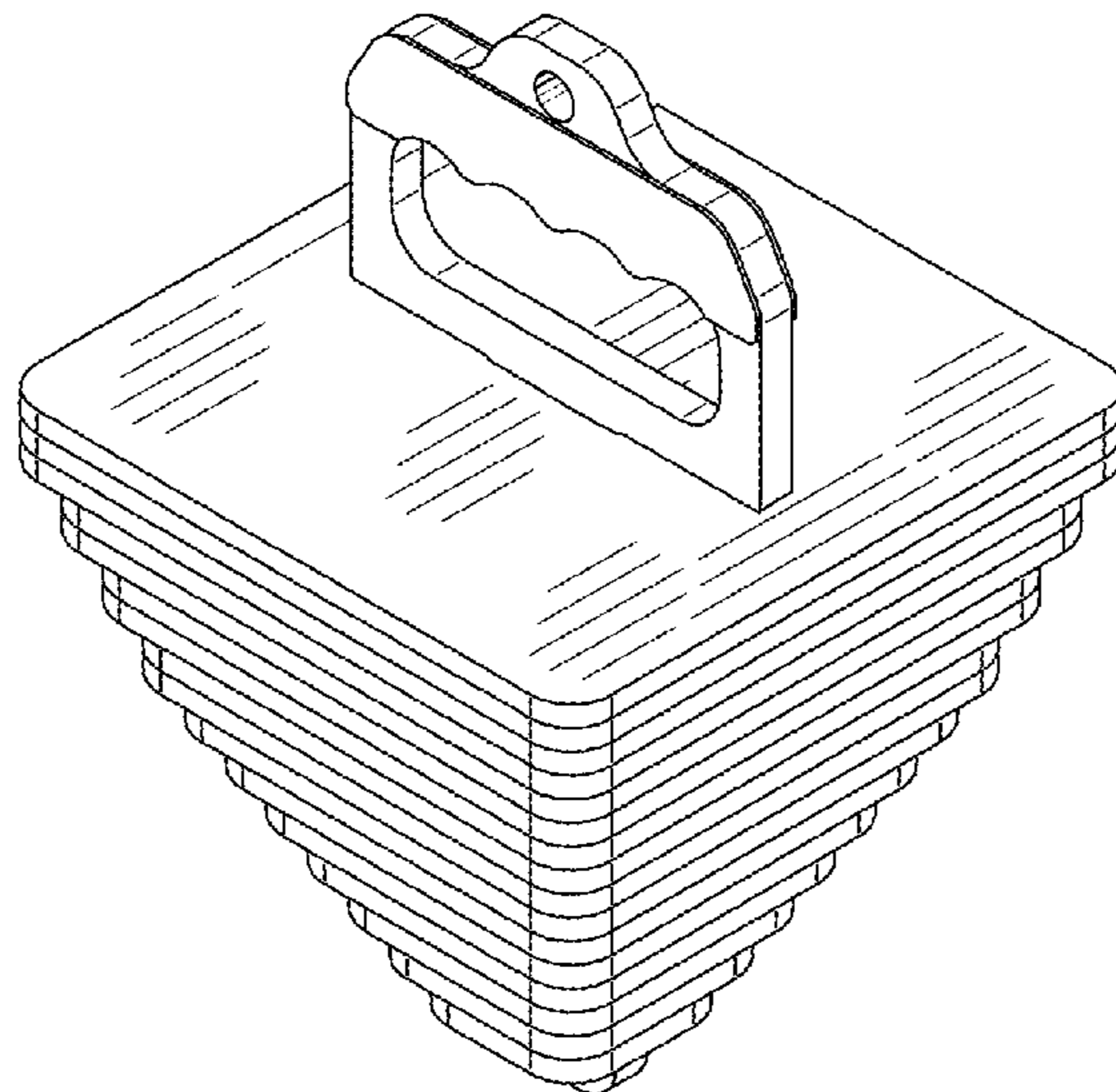
I claim the ornamental design for a marine drift anchor, as shown and described.

DESCRIPTION

FIG. 1 is a top perspective view of a marine drift anchor showing my new design;
 FIG. 2 is a bottom perspective view of the marine drift anchor of FIG. 1;
 FIG. 3 is a side view of the marine drift anchor of FIG. 1, the opposite side being a mirror image of that shown;
 FIG. 4 is a front view of the marine drift anchor of FIG. 1, the opposite rear being a mirror image of that shown;
 FIG. 5 is a top view of the marine drift anchor of FIG. 1;
 FIG. 6 is a bottom view of the marine drift anchor of FIG. 1;
 FIG. 7 is a top perspective view of an alternative second embodiment of a marine drift anchor;
 FIG. 8 is a bottom perspective view of the marine drift anchor of FIG. 7;
 FIG. 9 is a side view of the marine drift anchor of FIG. 7, the opposite side being a mirror image of that shown;
 FIG. 10 is a front view of the marine drift anchor of FIG. 7, the opposite rear being a mirror image of that shown;
 FIG. 11 is a top view of the marine drift anchor of FIG. 7;
 FIG. 12 is a bottom view of the marine drift anchor of FIG. 7;
 FIG. 13 is a top perspective view of an alternative third embodiment of a marine drift anchor;
 FIG. 14 is a bottom perspective view of the marine drift anchor of FIG. 13;
 FIG. 15 is a side view of the marine drift anchor of FIG. 13, the opposite side being a mirror image of that shown;
 FIG. 16 is a front view of the marine drift anchor of FIG. 13, the opposite rear being a mirror image of that shown;
 FIG. 17 is a top view of the marine drift anchor of FIG. 13; and,
 FIG. 18 is a bottom view of the marine drift anchor of FIG. 13.

The broken lines shown illustrate portions of the marine drift anchor that form no part of the claimed design.

1 Claim, 9 Drawing Sheets



(56)

References Cited

U.S. PATENT DOCUMENTS

| | | | | | | |
|-----------|----|---|---------|----------|-------|-----------------------|
| D329,220 | S | * | 9/1992 | Pauley | | D12/215 |
| D343,754 | S | * | 2/1994 | Pierce | | D6/596 |
| D376,945 | S | * | 12/1996 | Bonaddio | | 5/420 |
| D387,321 | S | * | 12/1997 | Mele | | D12/215 |
| D387,322 | S | * | 12/1997 | Mele | | D12/215 |
| D397,078 | S | * | 8/1998 | Bartkus | | D12/215 |
| D411,605 | S | * | 6/1999 | Acosta | | D23/201 |
| D427,559 | S | * | 7/2000 | Mele | | D12/215 |
| 6,135,046 | A | * | 10/2000 | Beech | | B63B 21/48 114/311 |
| D453,915 | S | * | 2/2002 | Goodsell | | D12/215 |
| D478,194 | S | * | 8/2003 | McGinty | | D30/160 |
| D526,670 | S | * | 8/2006 | Ibey | | D15/139 |
| D547,341 | S | * | 7/2007 | Russo | | D15/139 |
| D587,182 | S | * | 2/2009 | Walton | | D12/215 |
| D691,082 | S | * | 10/2013 | Workman | | D12/215 |
| D763,775 | S | * | 8/2016 | Wood | | D12/215 |
| 9,731,358 | B2 | * | 8/2017 | Allen | | B23B 51/009 |
| D815,010 | S | * | 4/2018 | Puckett | | D12/215 |

* cited by examiner

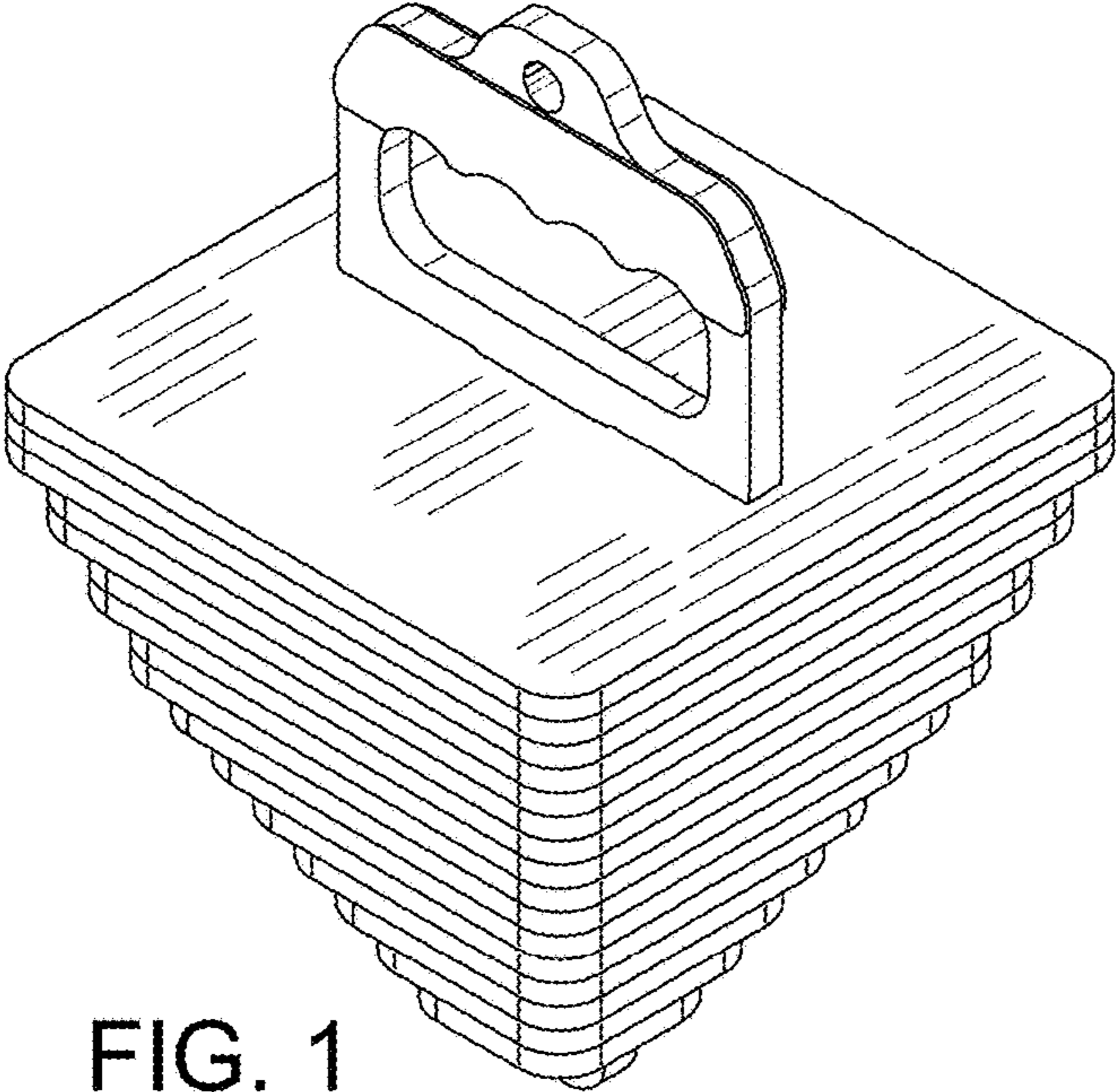


FIG. 1

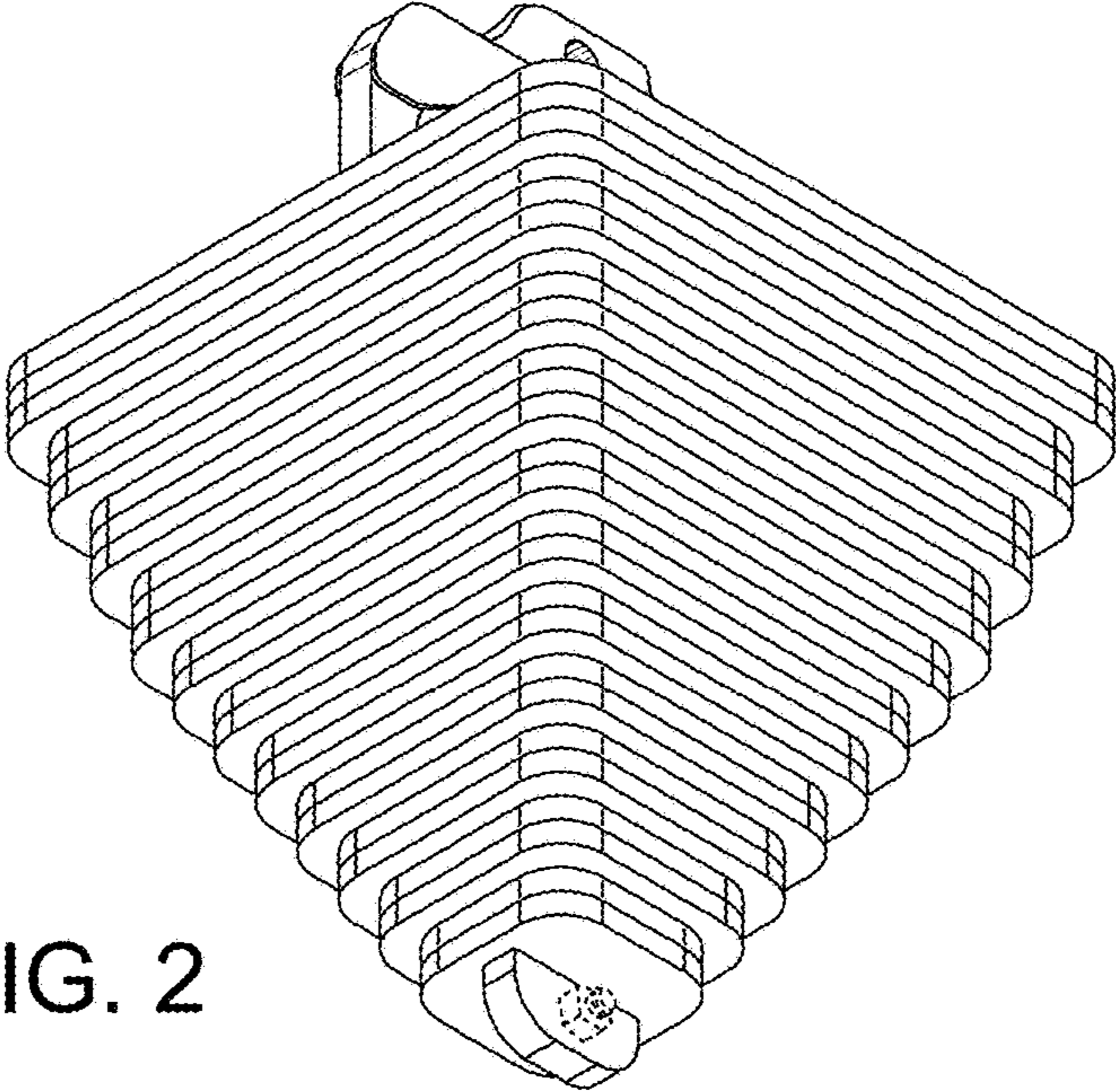


FIG. 2

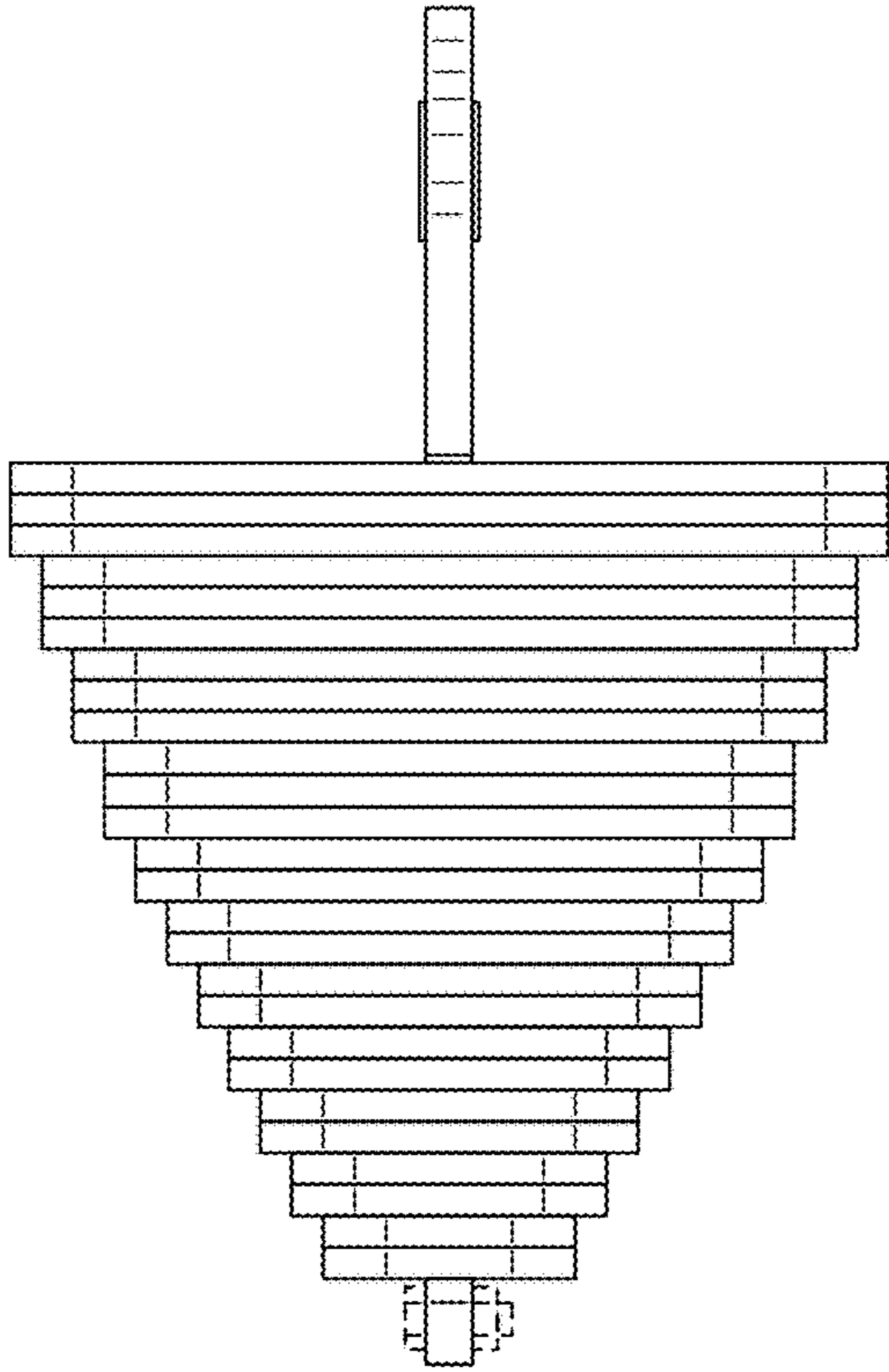


FIG. 3

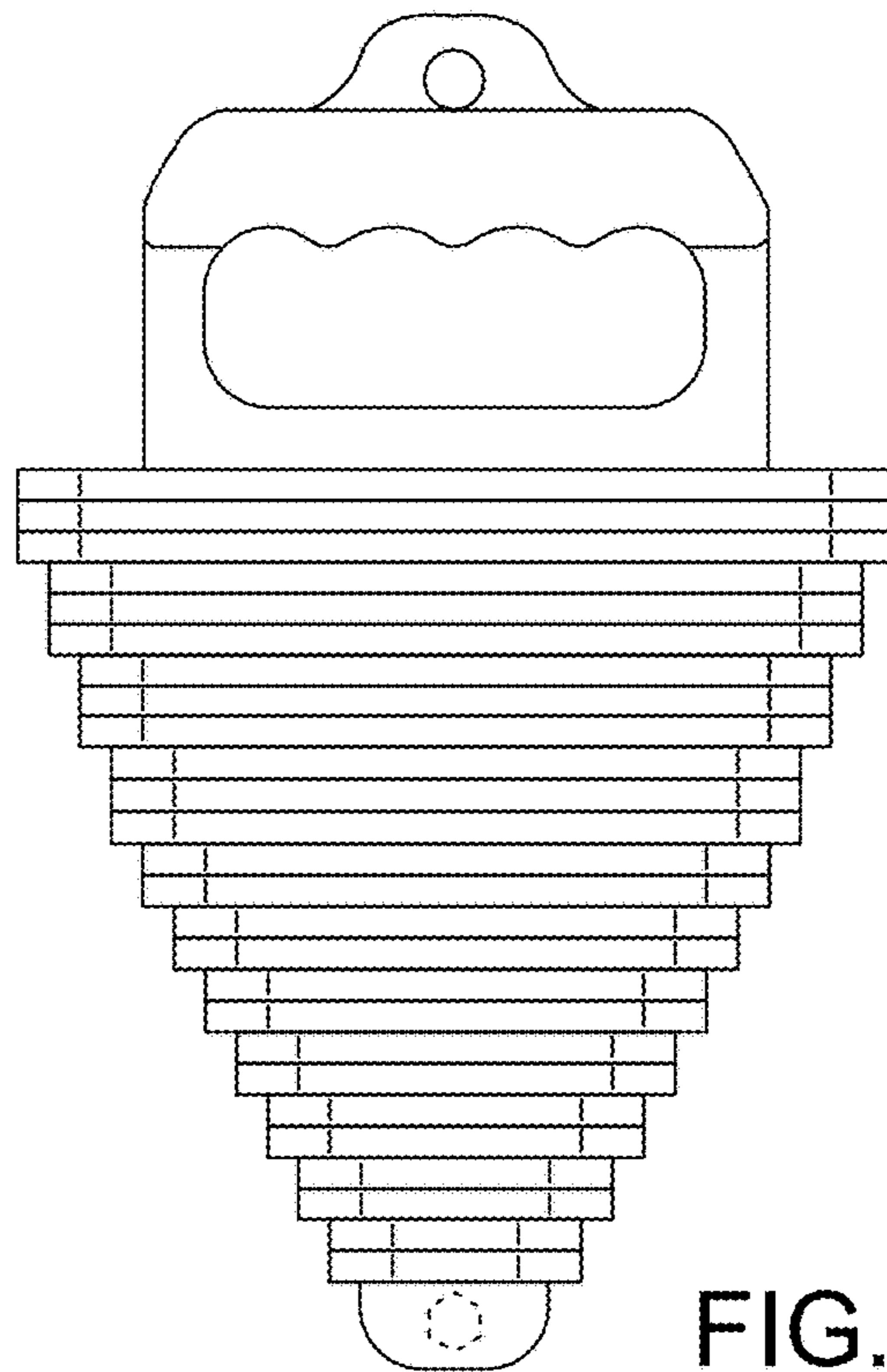


FIG. 4

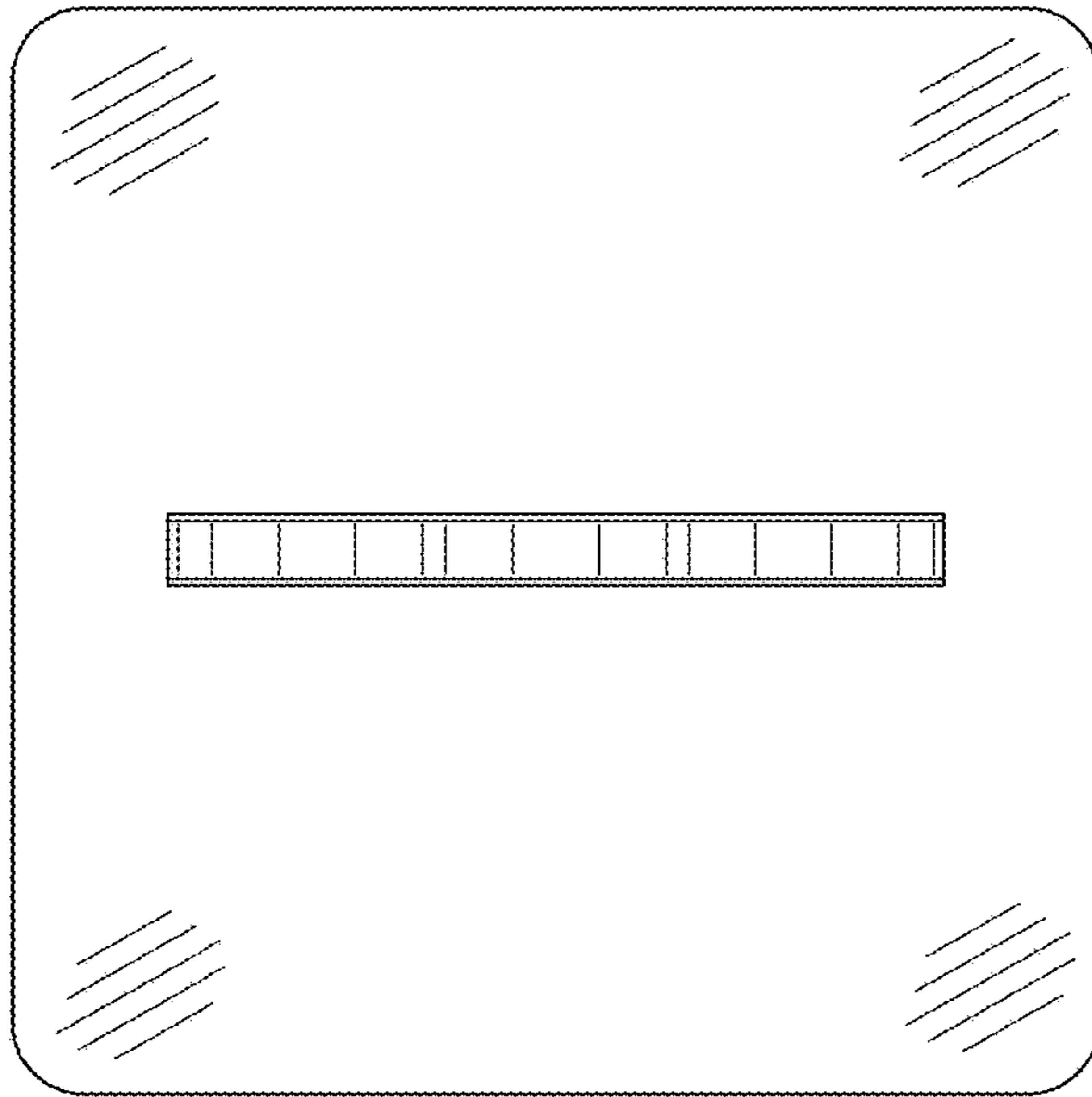


FIG. 5

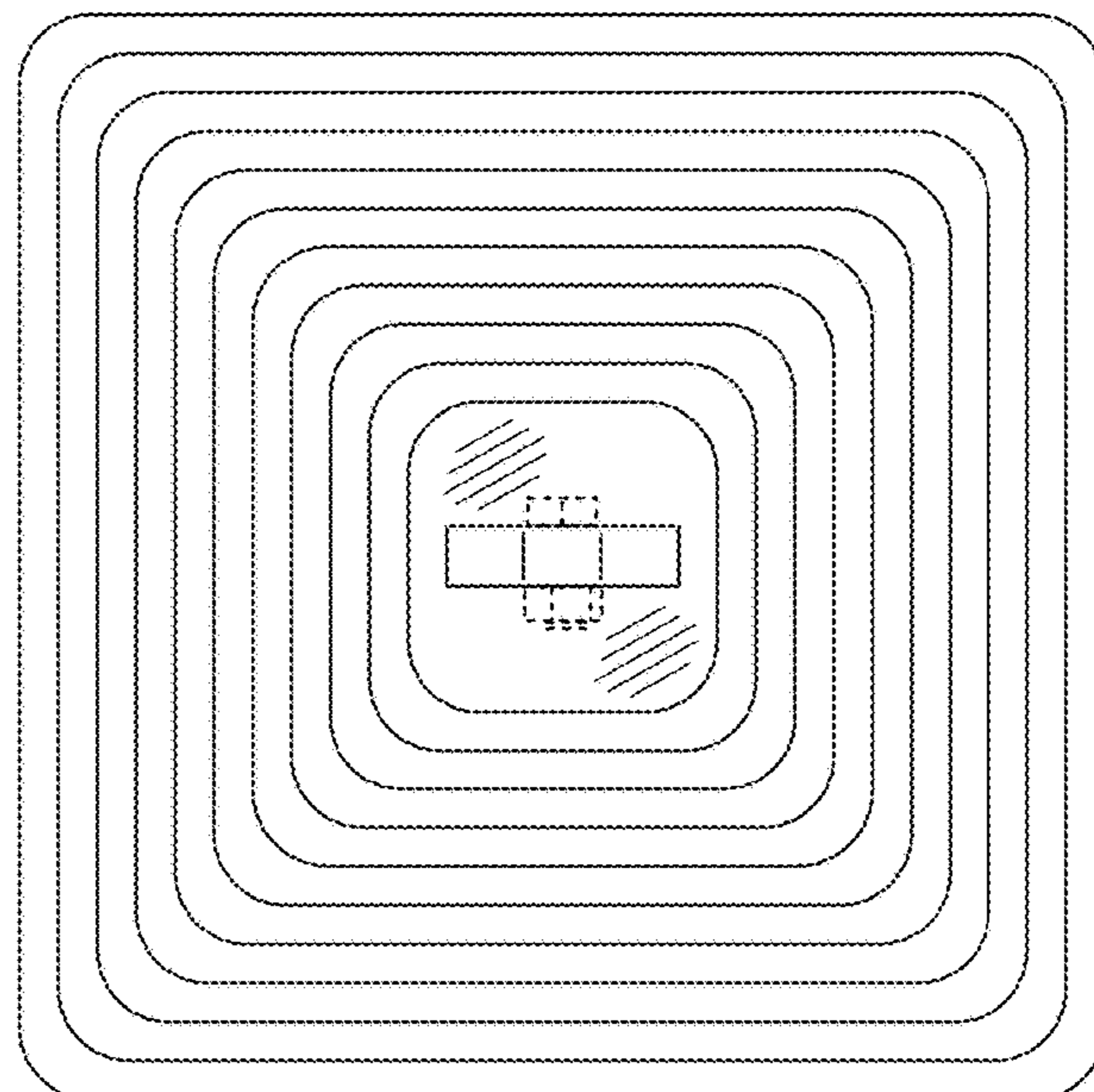


FIG. 6

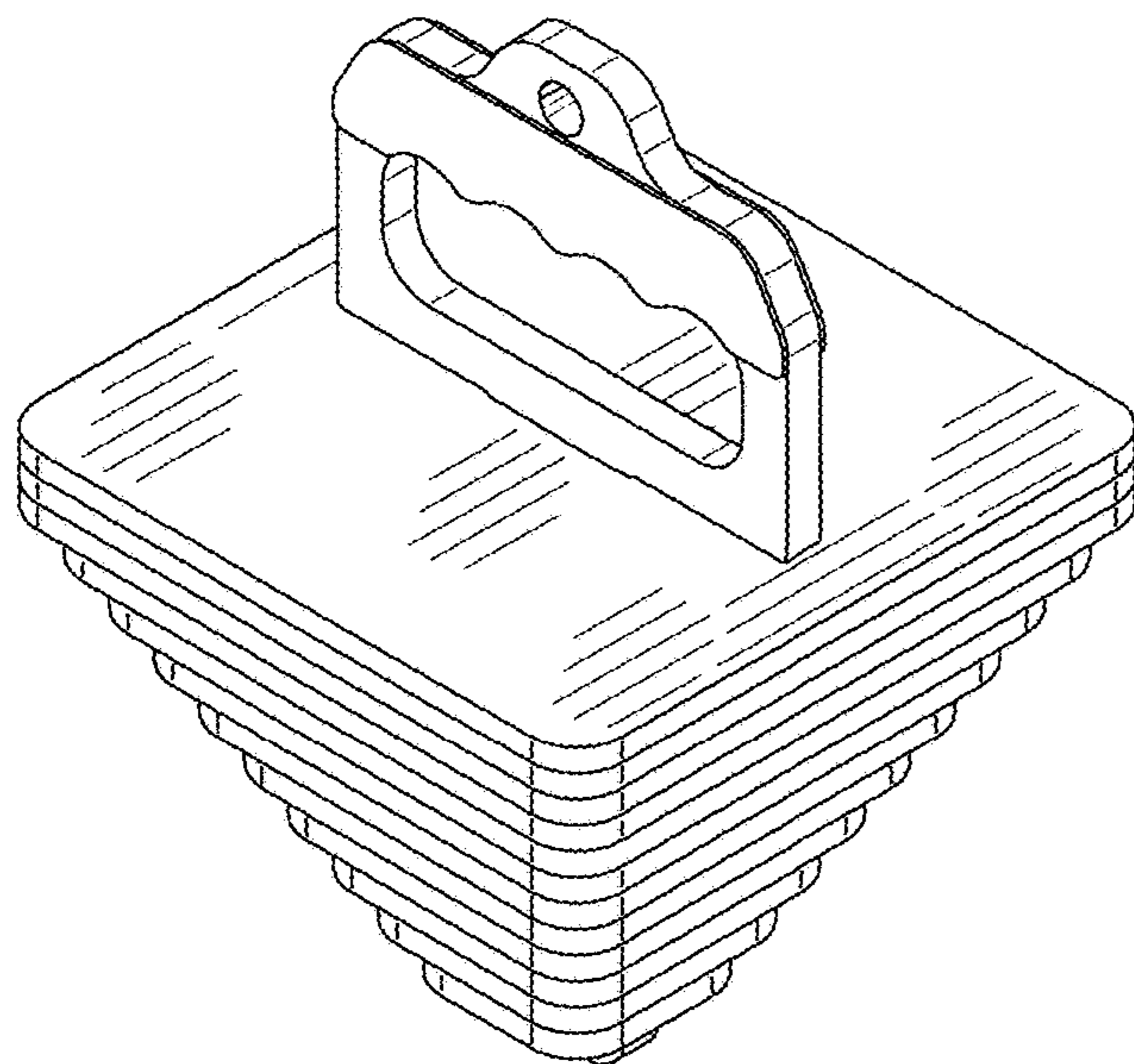


FIG. 7

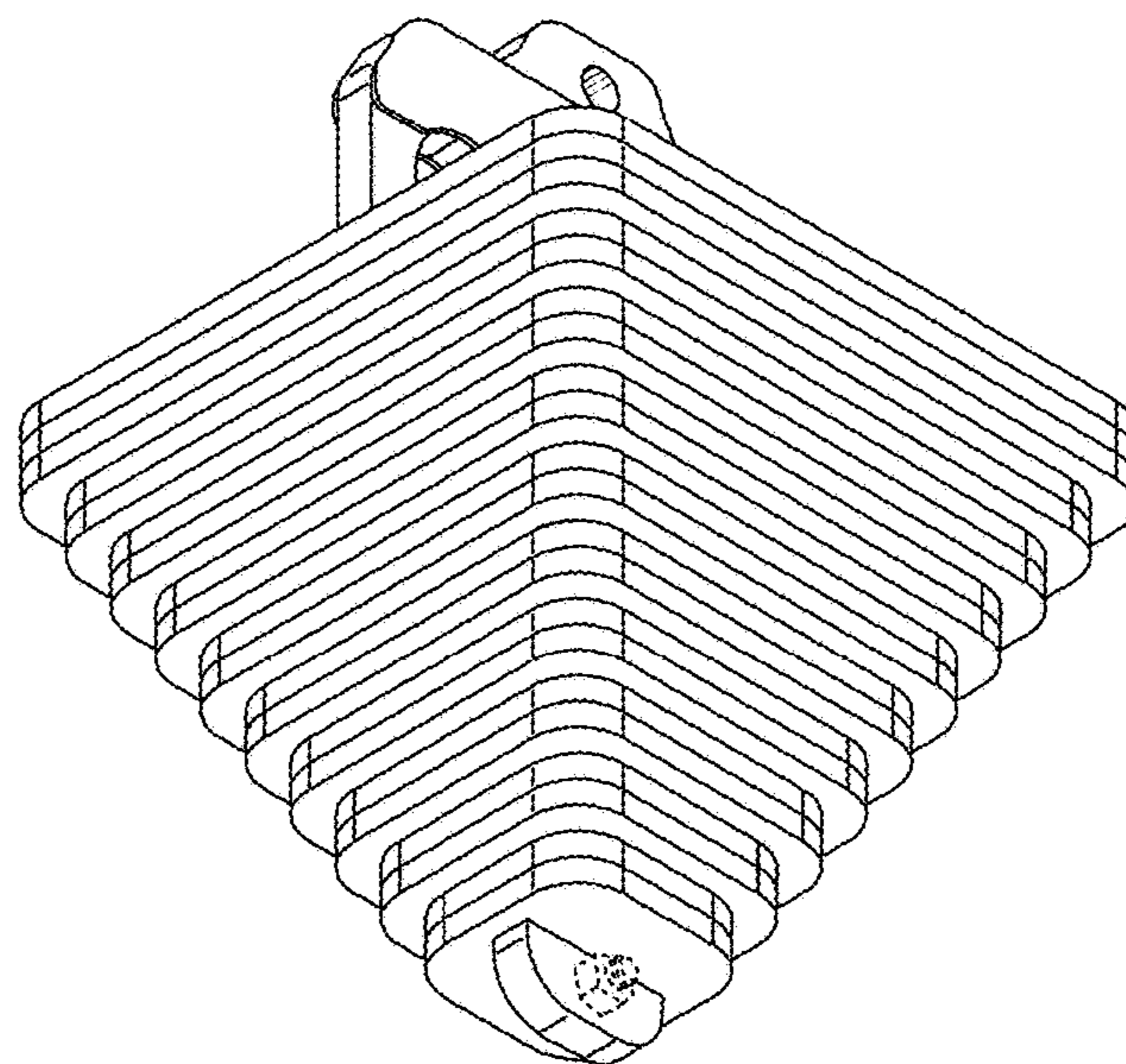


FIG. 8

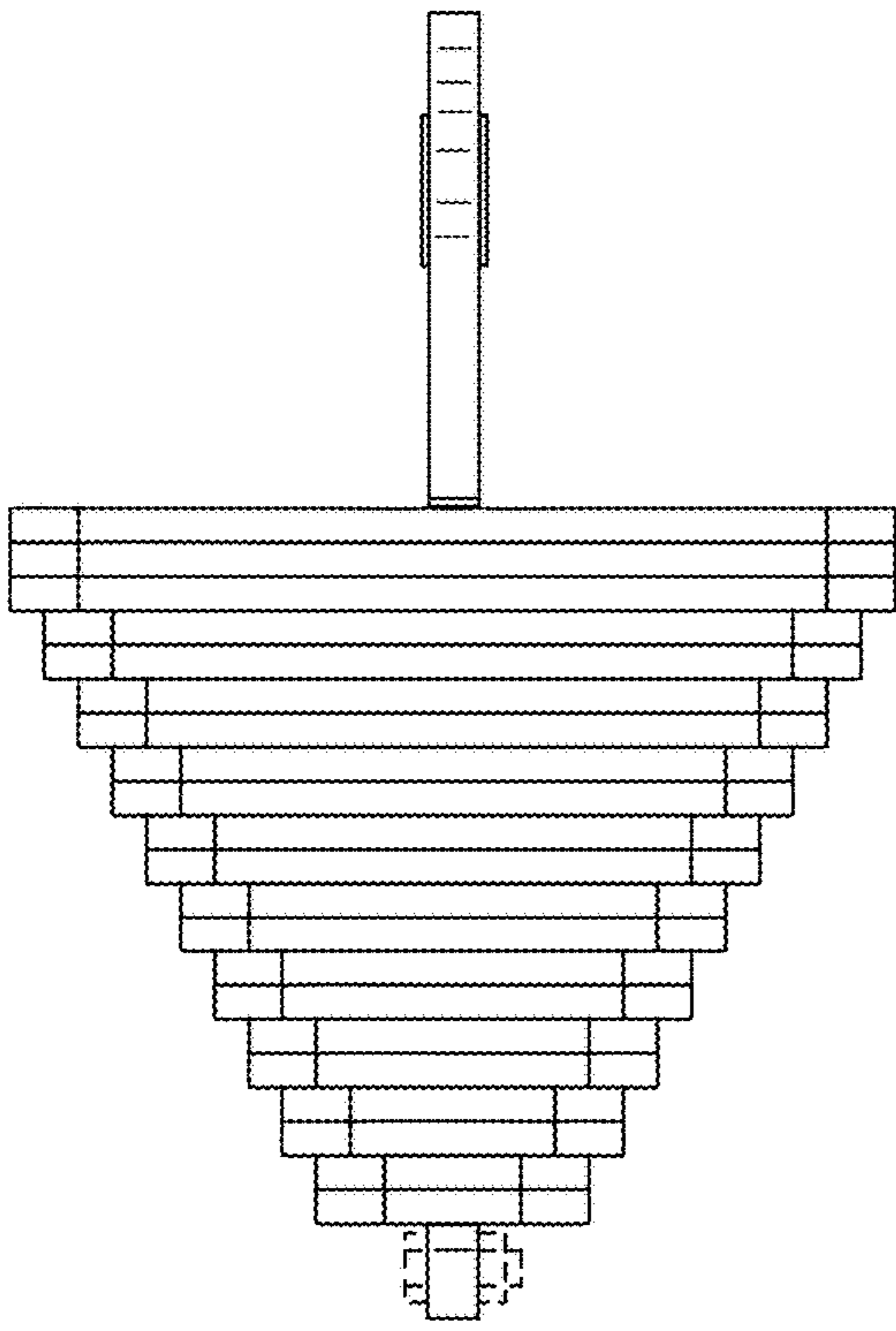


FIG. 9

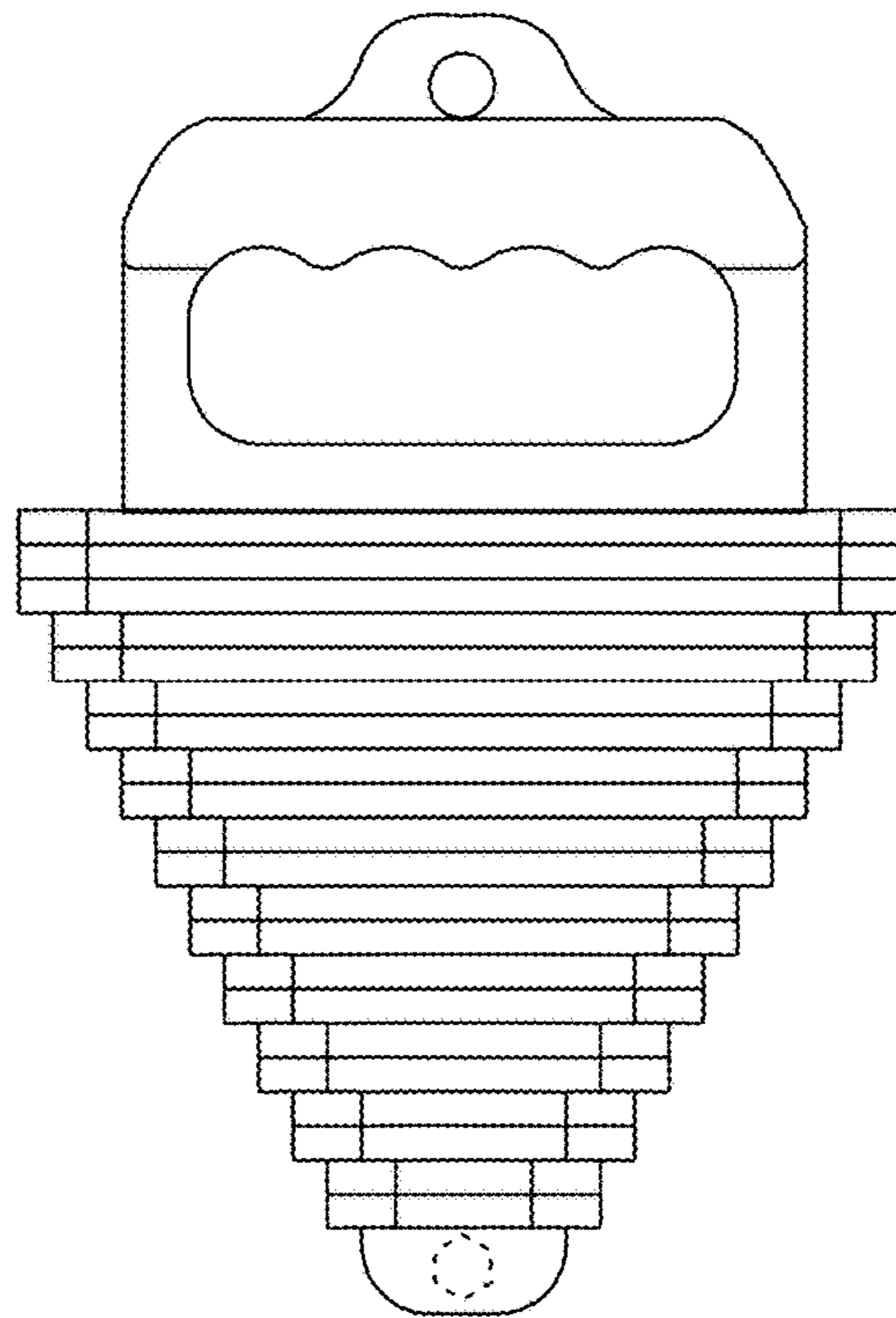


FIG. 10

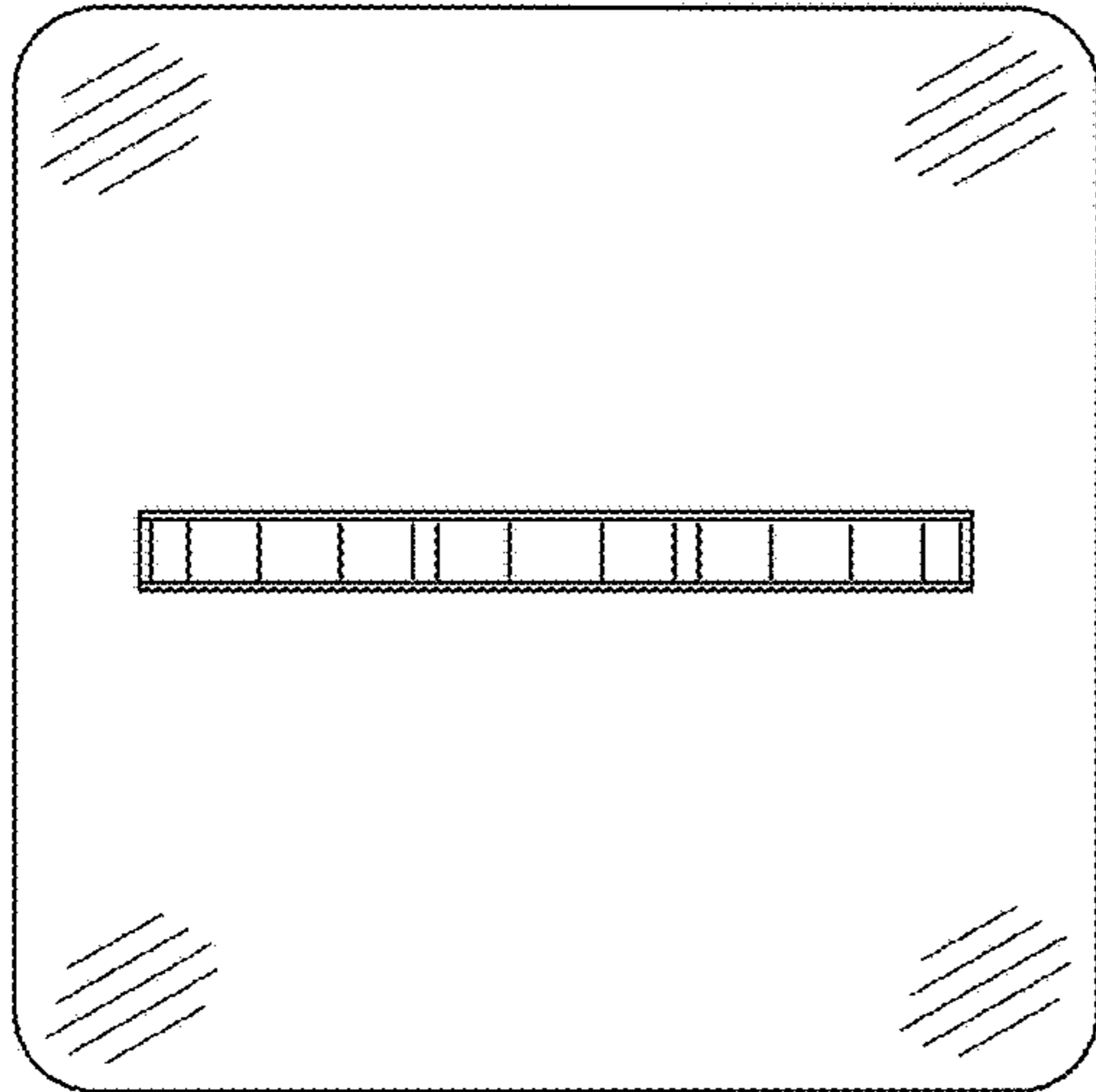


FIG. 11

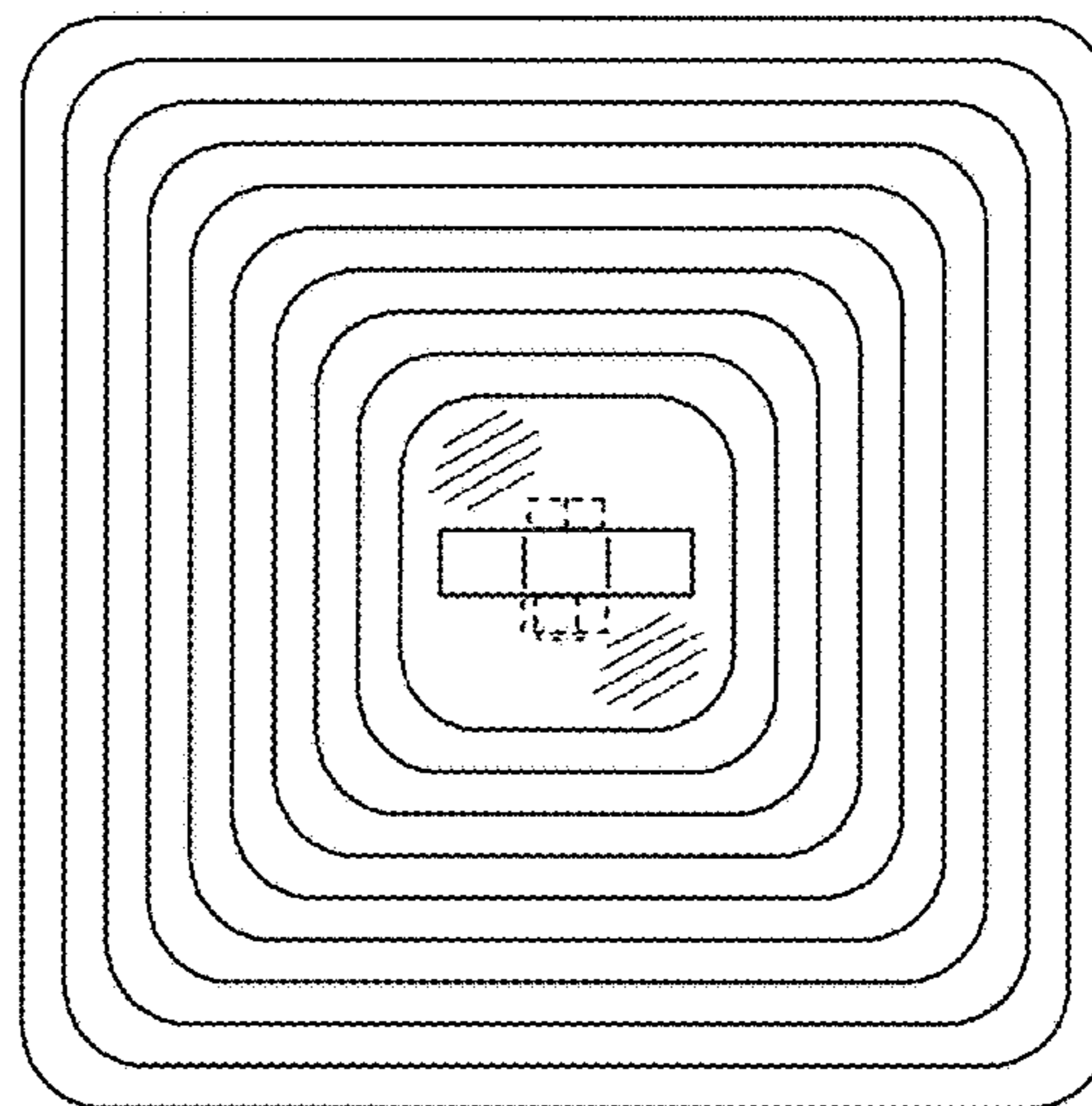


FIG. 12

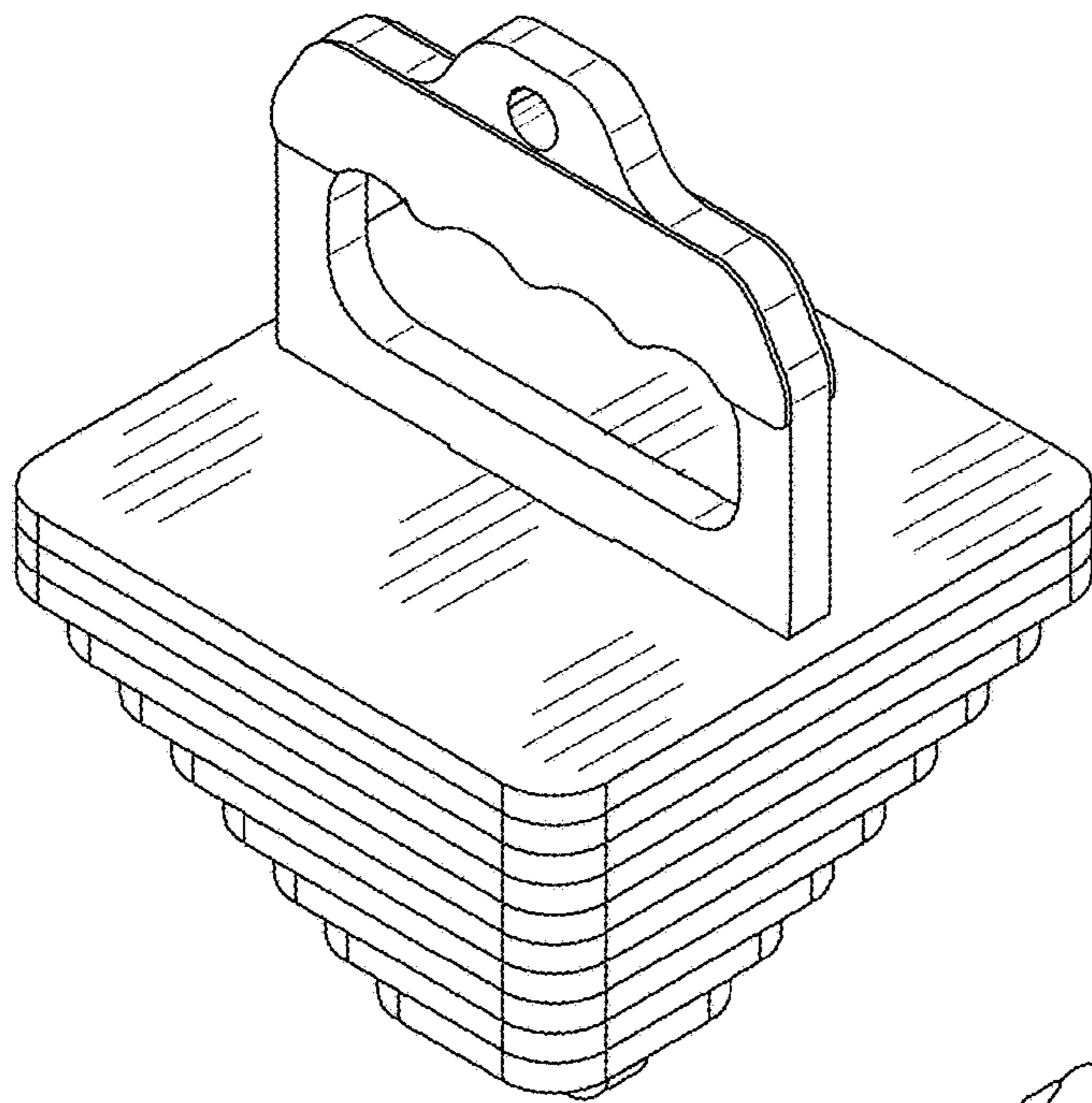


FIG. 13

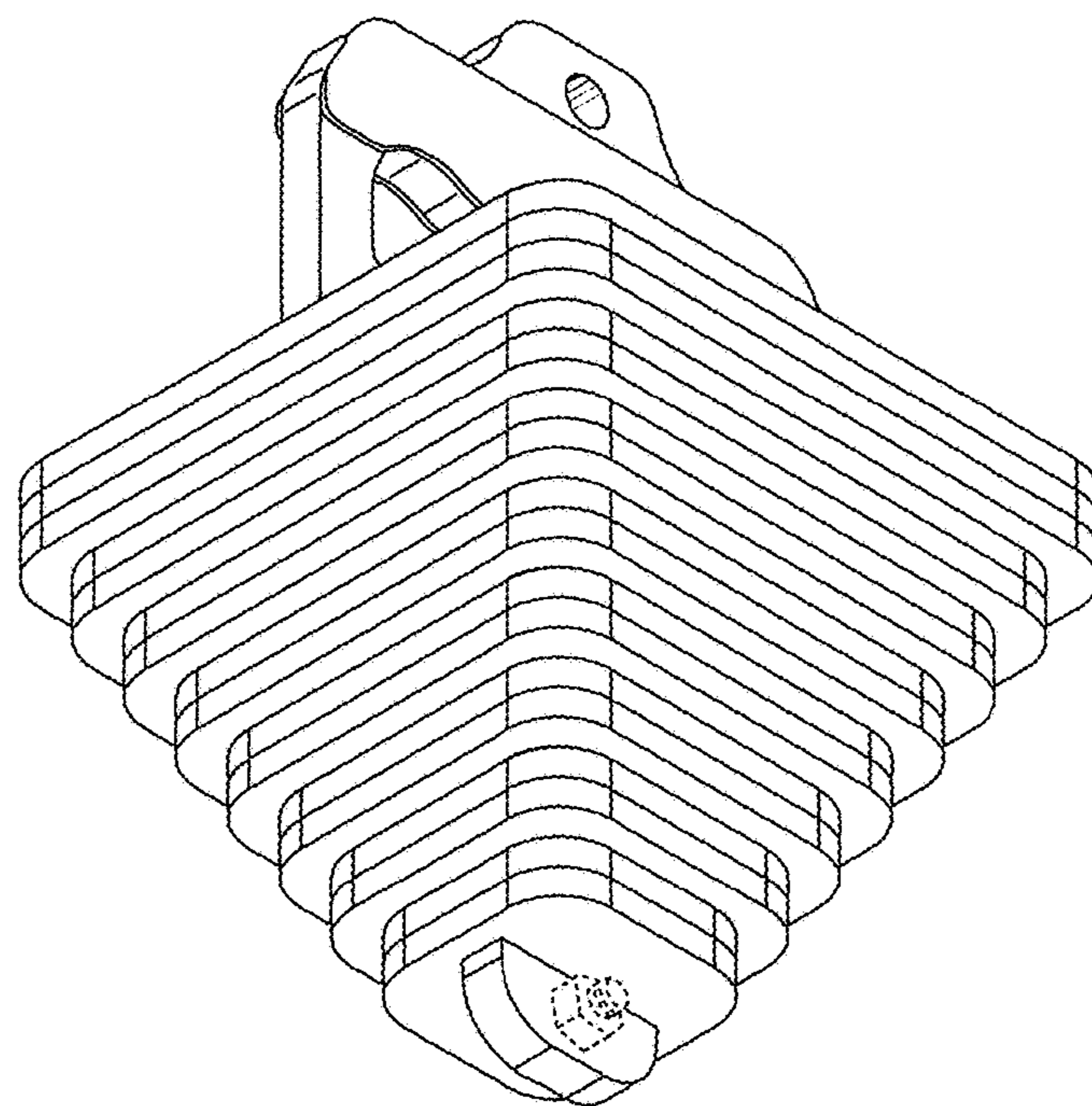


FIG. 14

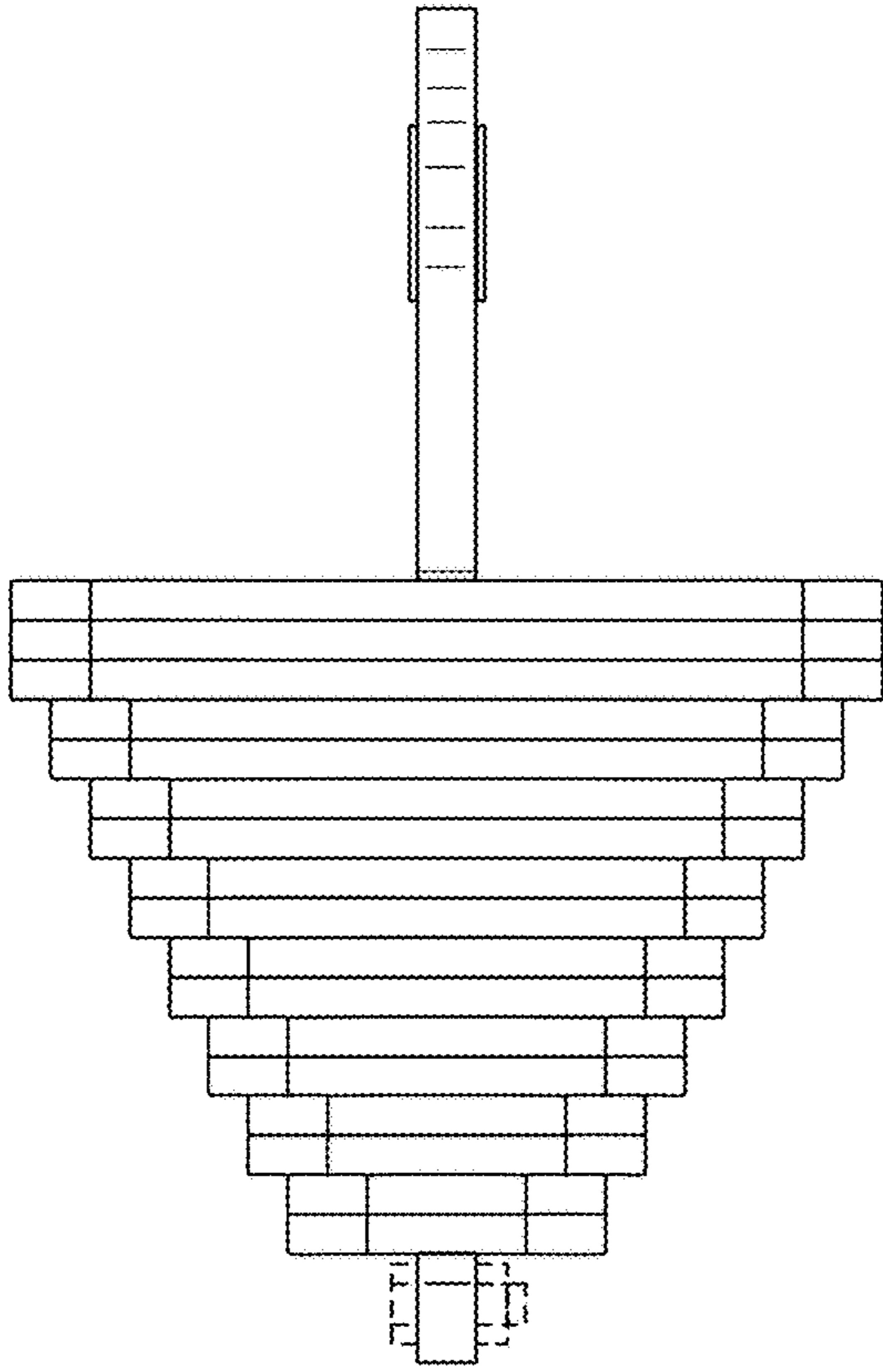


FIG. 15

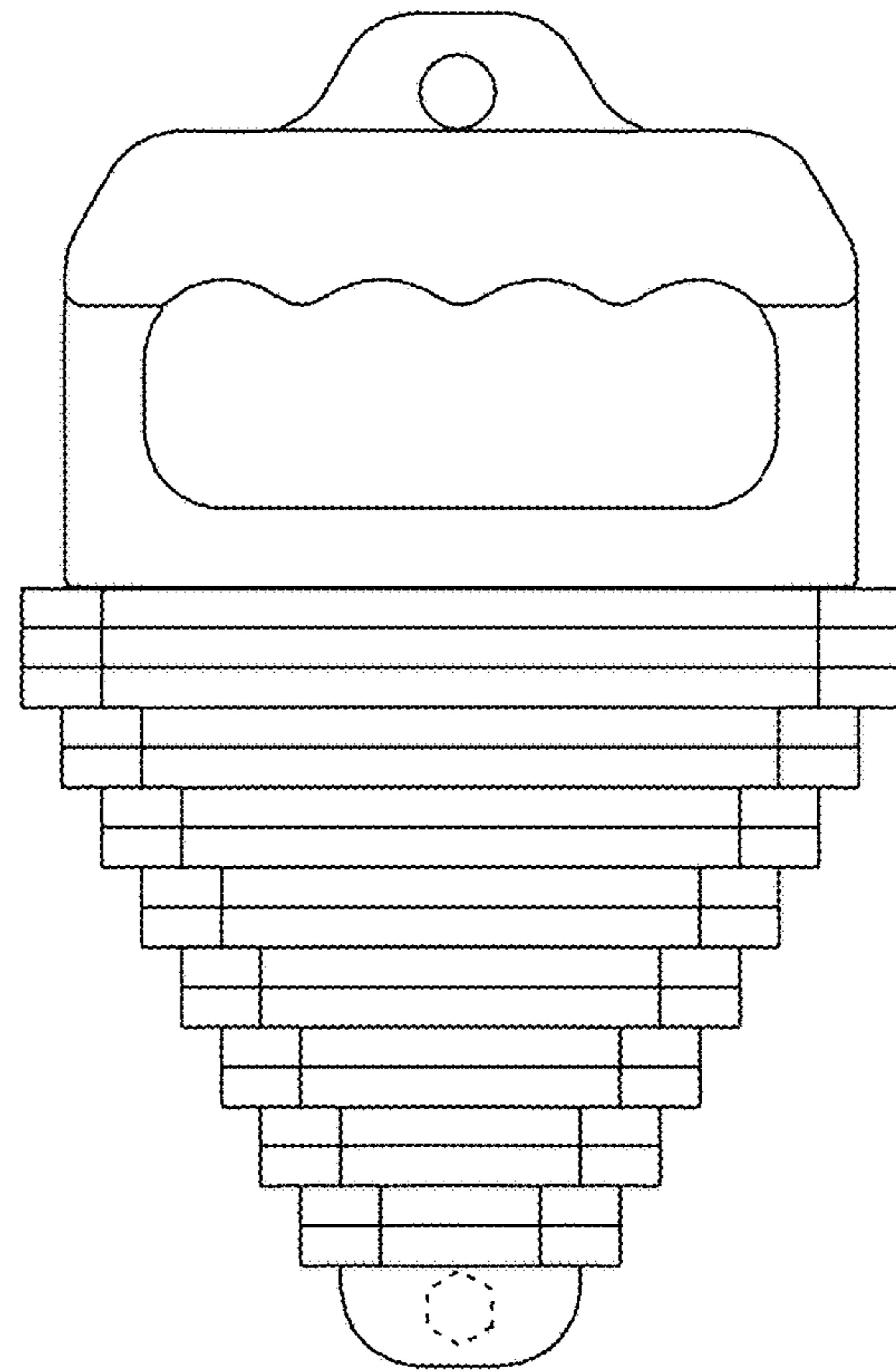


FIG. 16

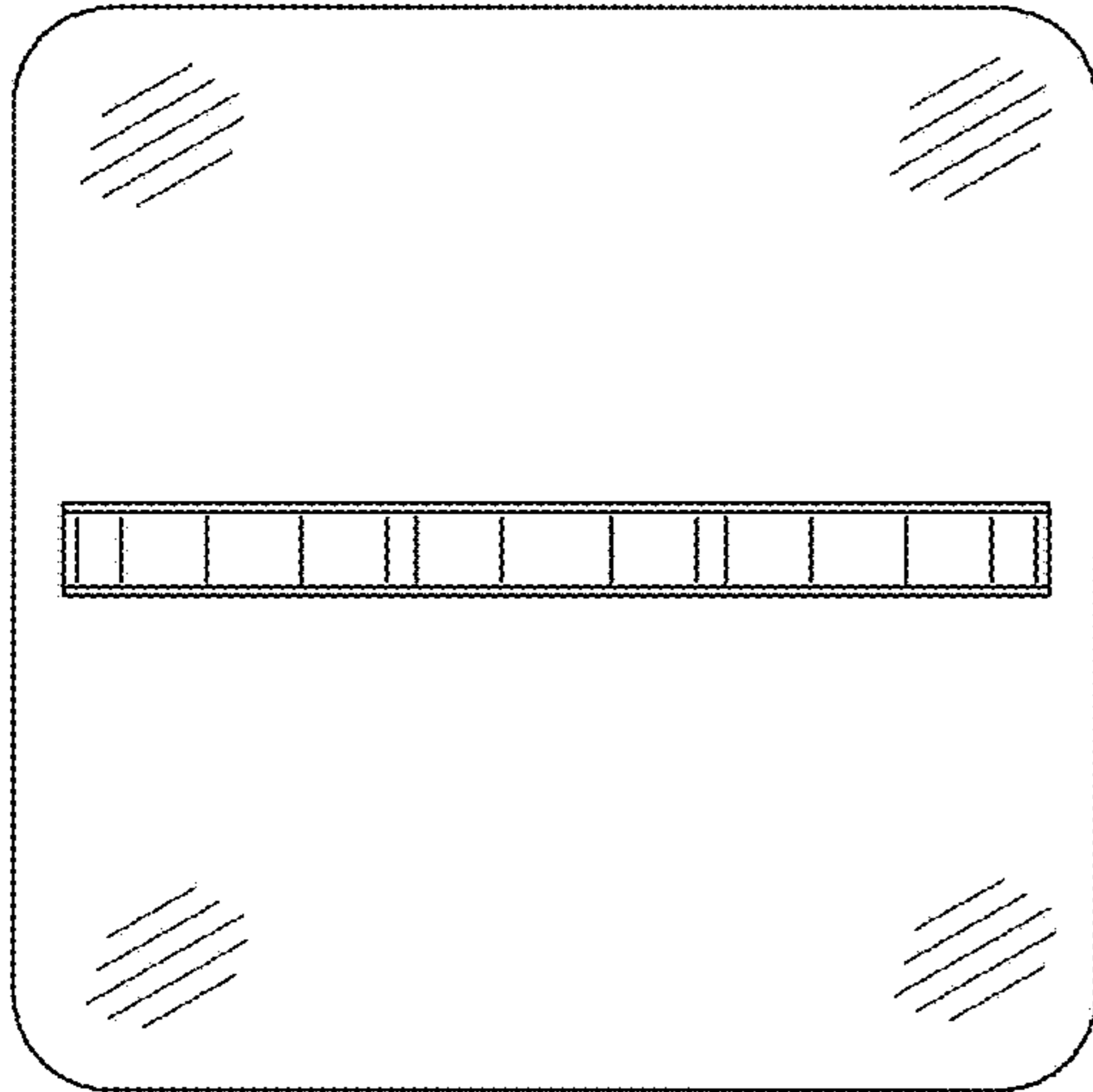


FIG. 17

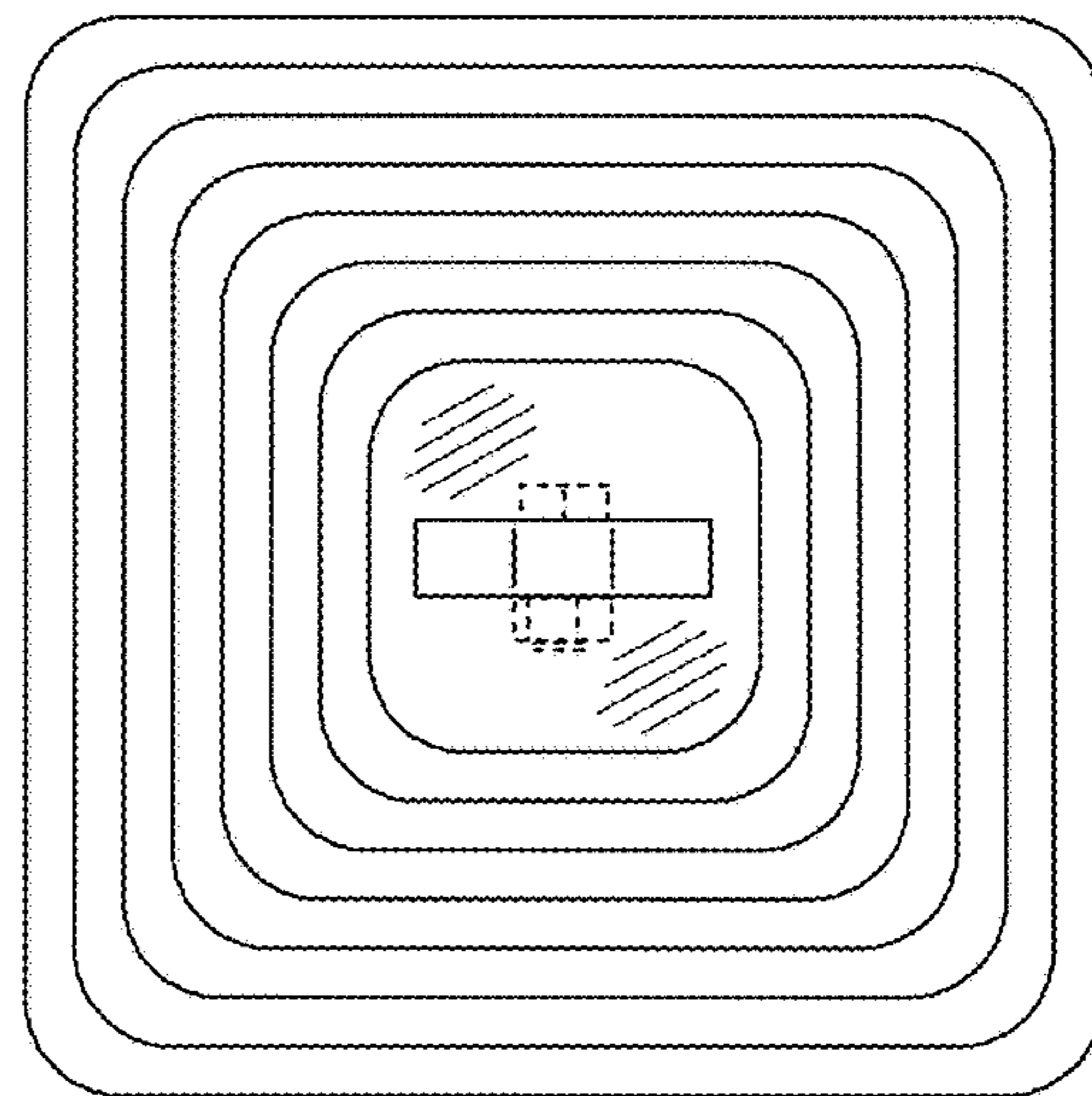


FIG. 18