

US00D827547S

(12) **United States Design Patent**
Ceccarelli

(10) **Patent No.:** **US D827,547 S**

(45) **Date of Patent:** **** Sep. 4, 2018**

- (54) **MARINE ANCHOR SPADE**
- (71) Applicant: **Charles J Ceccarelli**, Mountain Home, ID (US)
- (72) Inventor: **Charles J Ceccarelli**, Mountain Home, ID (US)
- (**) Term: **15 Years**
- (21) Appl. No.: **29/587,682**
- (22) Filed: **Dec. 14, 2016**
- (51) **LOC (11) Cl.** **12-06**
- (52) **U.S. Cl.**
USPC **D12/215**
- (58) **Field of Classification Search**
USPC D12/215, 300, 317
CPC B63B 21/24; B63B 21/243; B63B 21/32;
B63B 21/34
See application file for complete search history.

- D676,796 S * 2/2013 Wood D12/215
- D684,102 S * 6/2013 Gelb D12/215
- D763,775 S * 8/2016 Wood D12/215
- D766,156 S * 9/2016 Hron D12/215

(Continued)

Primary Examiner — George D. Kirschbaum
Assistant Examiner — Clese Moore, Jr.
(74) *Attorney, Agent, or Firm* — Charles R. Clark

(57) **CLAIM**

I claim the ornamental design for a marine anchor spade, as shown and described.

DESCRIPTION

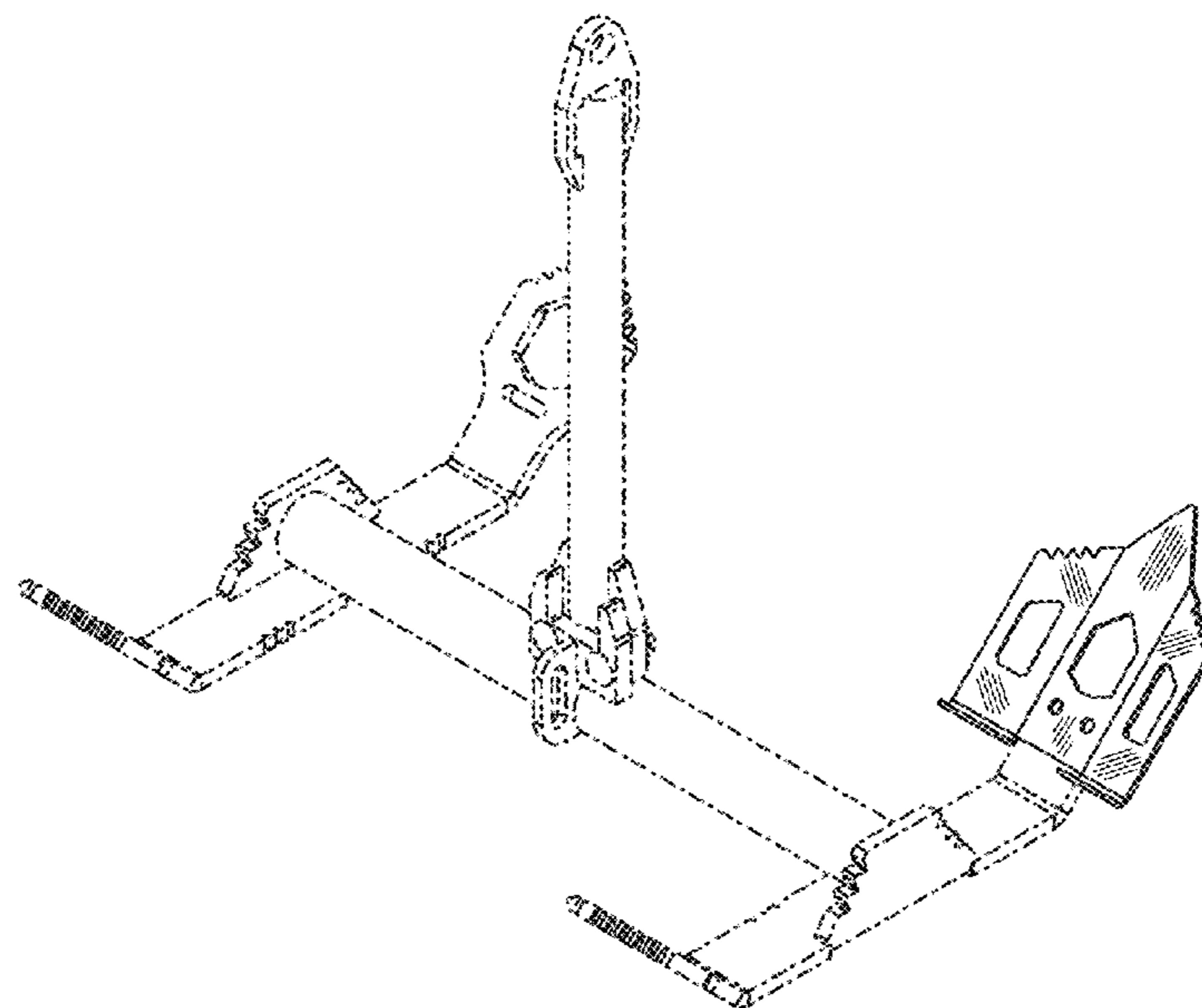
FIG. 1 is a top perspective view of a marine anchor spade showing my new design;
 FIG. 2 is a top perspective view of the marine anchor spade of FIG. 1;
 FIG. 3 is a front view of the marine anchor spade of FIG. 1;
 FIG. 4 is a bottom perspective view of the marine anchor spade of FIG. 1;
 FIG. 5 is a side view of the marine anchor spade of FIG. 1;
 FIG. 6 is a bottom view of the marine anchor spade of FIG. 1;
 FIG. 7 is a top perspective view of an alternative embodiment of a marine anchor spade;
 FIG. 8 is a top perspective view of the marine anchor spade of FIG. 7;
 FIG. 9 is a front view of the marine anchor spade of FIG. 7;
 FIG. 10 is a bottom perspective view of the marine anchor spade of FIG. 7;
 FIG. 11 is a side view of the marine anchor spade of FIG. 7;
 and,
 FIG. 12 is a bottom view of the marine anchor spade of FIG. 7.
 The broken lines shown in FIGS. 1 and 7, illustrate environment that form no part of the claimed design.

(56) **References Cited**

U.S. PATENT DOCUMENTS

- D259,781 S * 7/1981 Holmes D12/215
- D280,193 S * 8/1985 Spanner D12/215
- D306,424 S * 3/1990 Bruce D12/215
- D347,206 S * 5/1994 Smith D12/215
- D375,717 S * 11/1996 Dick D12/215
- D387,322 S * 12/1997 Mele D12/215
- D427,559 S * 7/2000 Mele D12/215
- 6,240,871 B1 * 6/2001 Courtheyn B63B 21/34
114/301
- D444,440 S * 7/2001 Peabody D12/215
- D452,471 S * 12/2001 Hoareau D12/215
- D453,915 S * 2/2002 Goodsell D12/215
- D552,526 S * 10/2007 Smith D12/215
- D556,666 S * 12/2007 Mair D12/215
- D587,182 S * 2/2009 Walton D12/215
- D607,397 S * 1/2010 Tung D12/215

1 Claim, 6 Drawing Sheets



(56)

References Cited

U.S. PATENT DOCUMENTS

2010/0058968 A1* 3/2010 Francis B63B 21/32
114/301

* cited by examiner

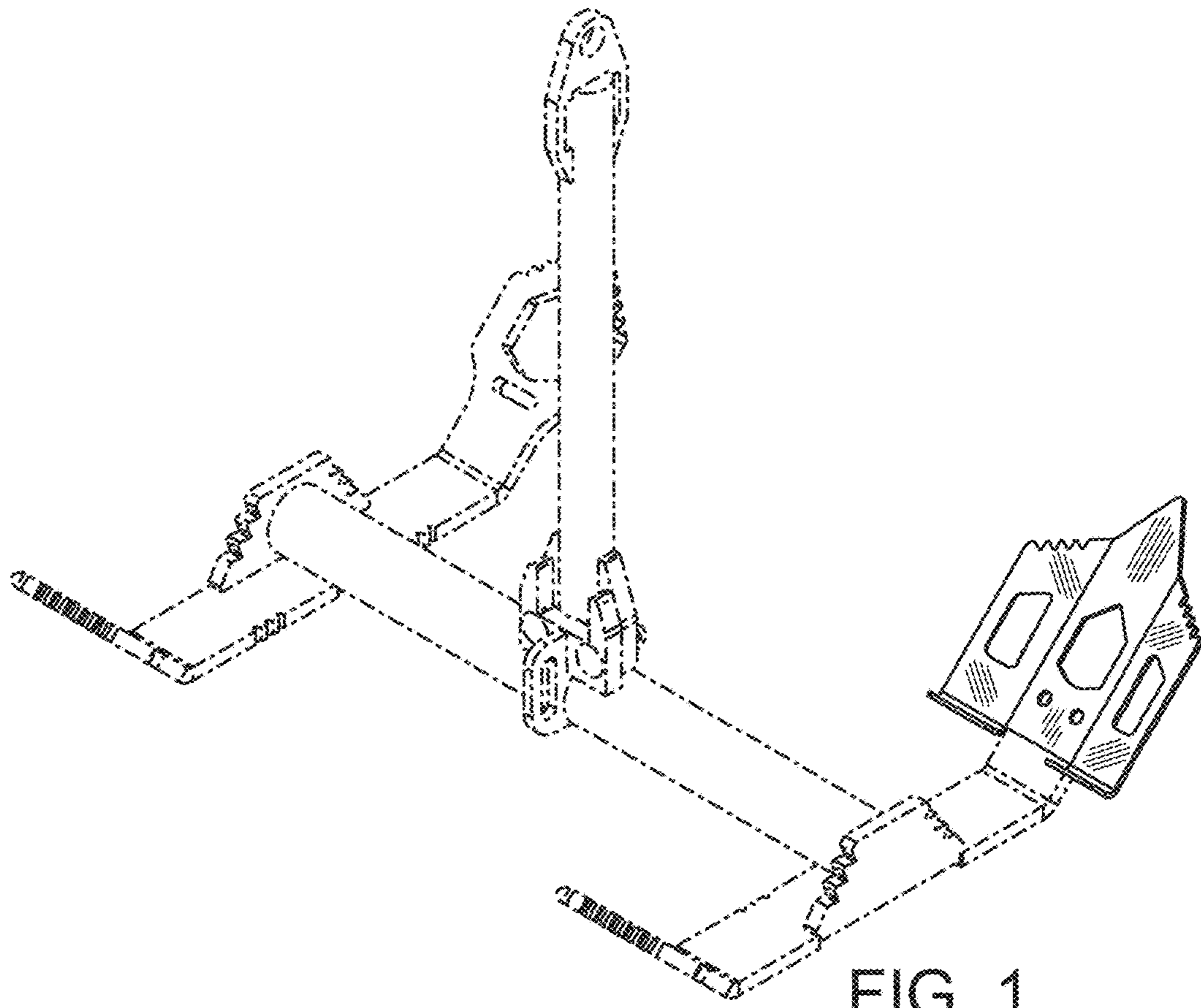


FIG. 1

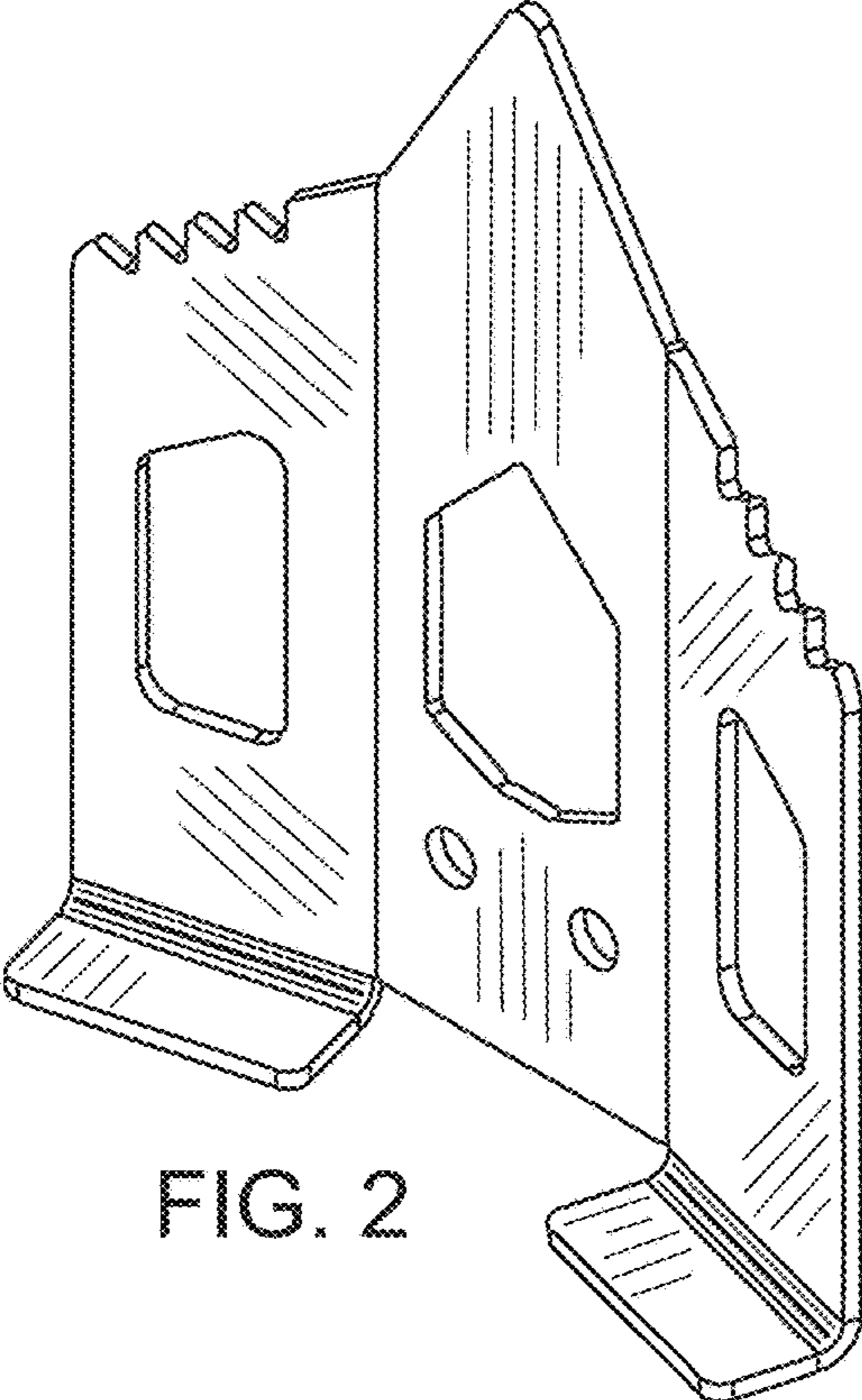


FIG. 2

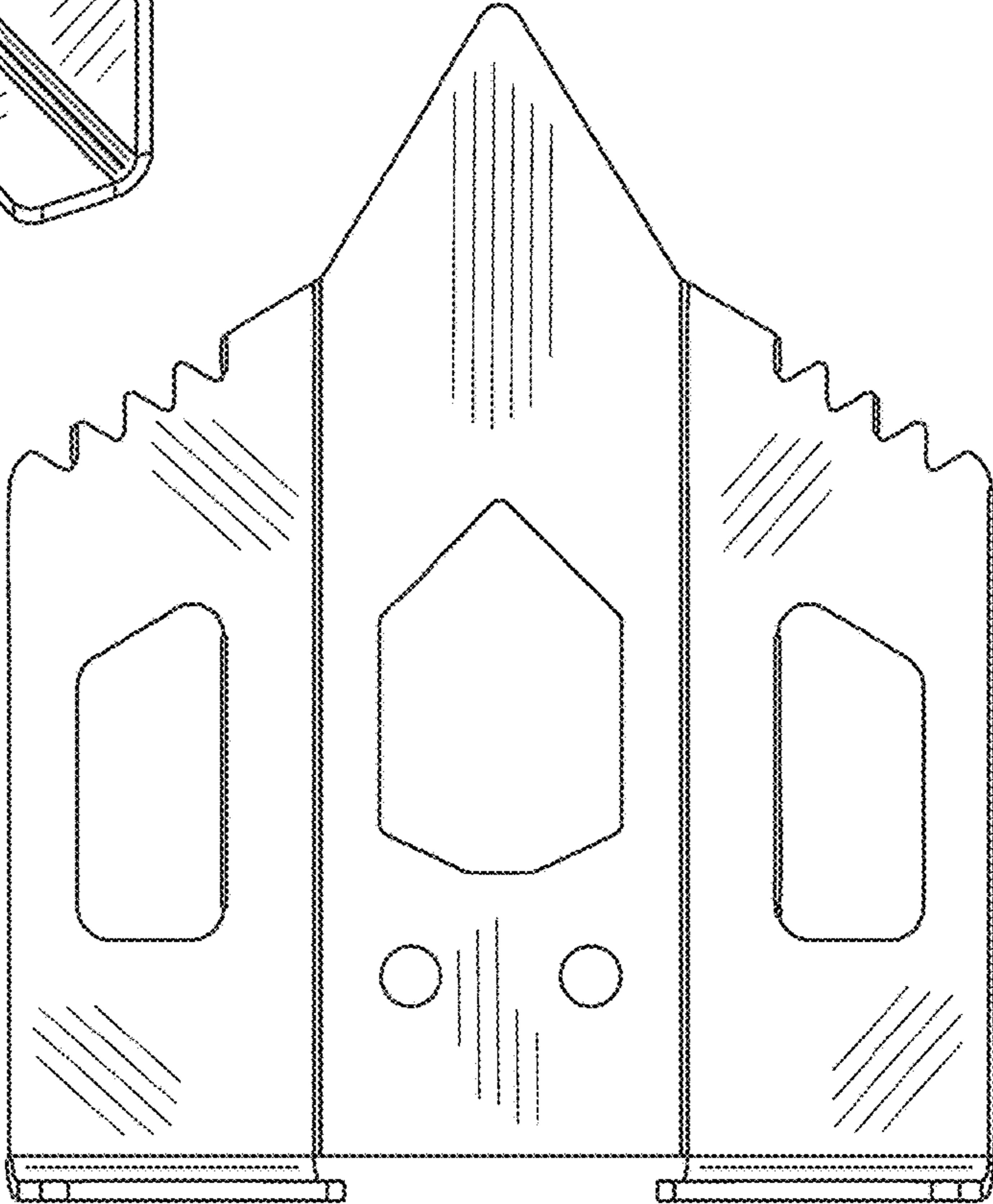


FIG. 3

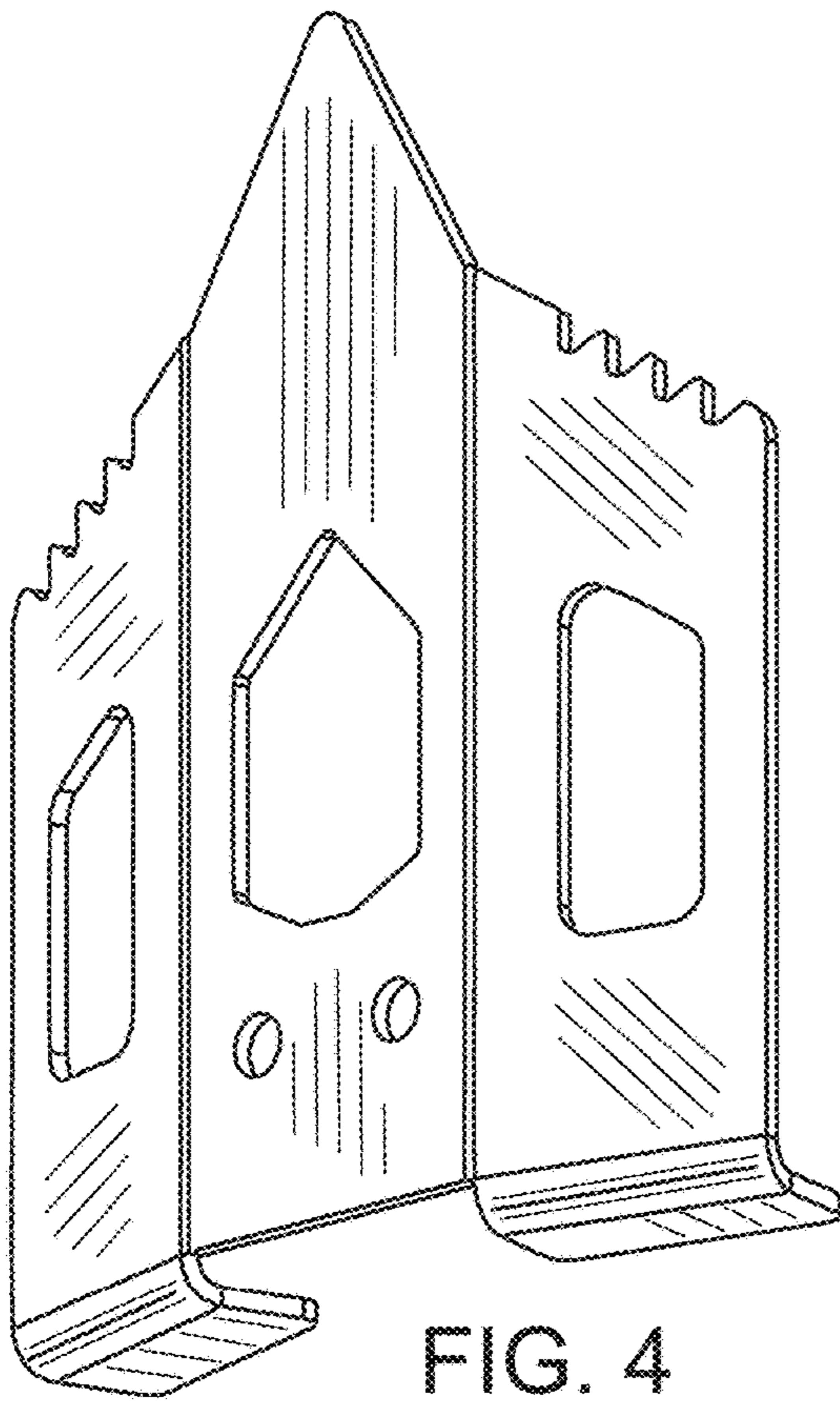


FIG. 4

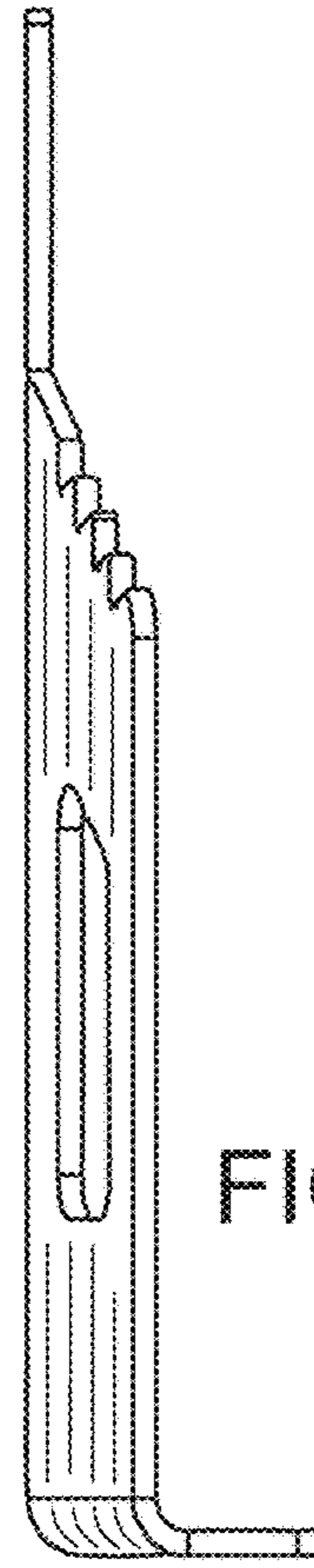


FIG. 5



FIG. 6

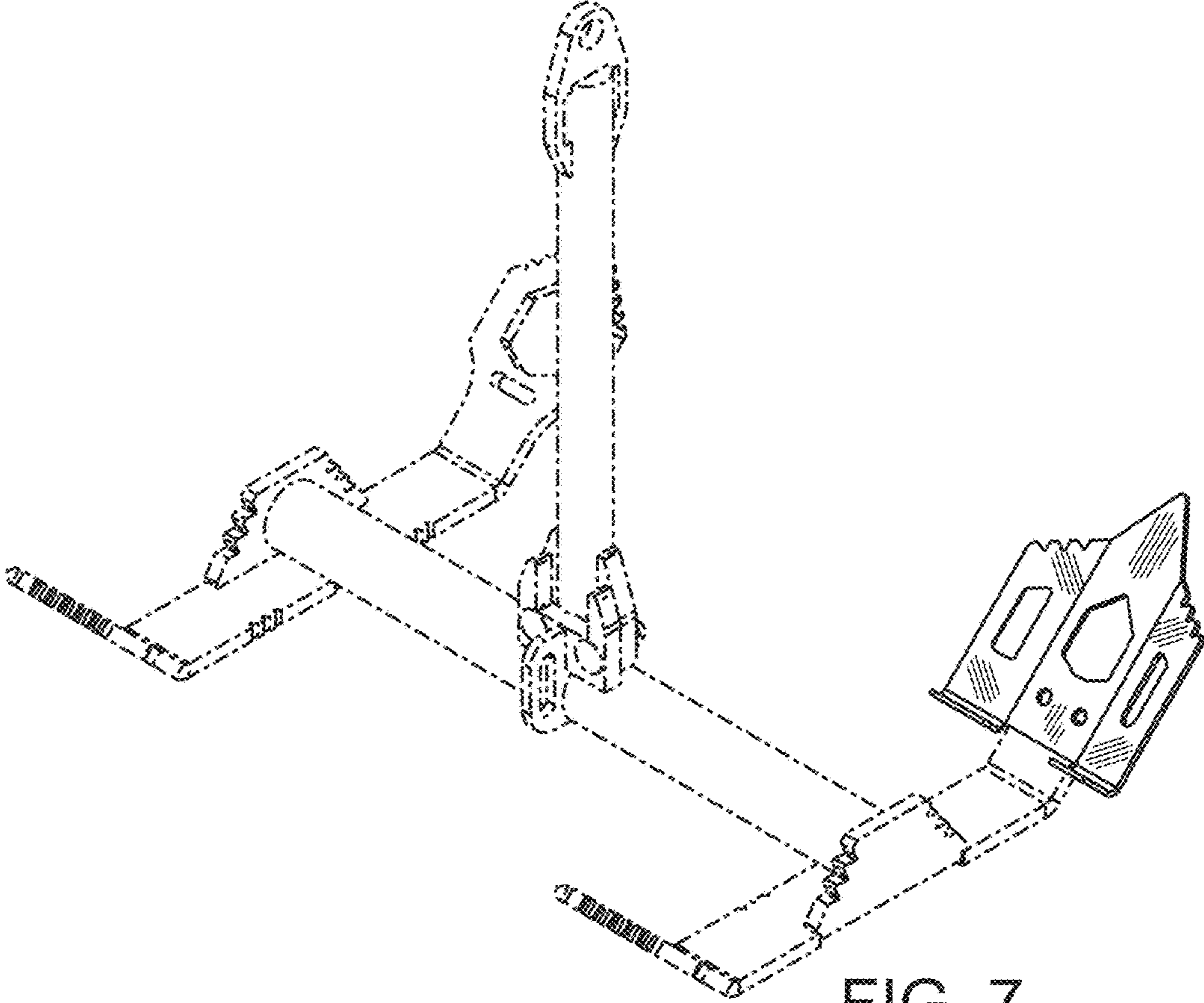


FIG. 7

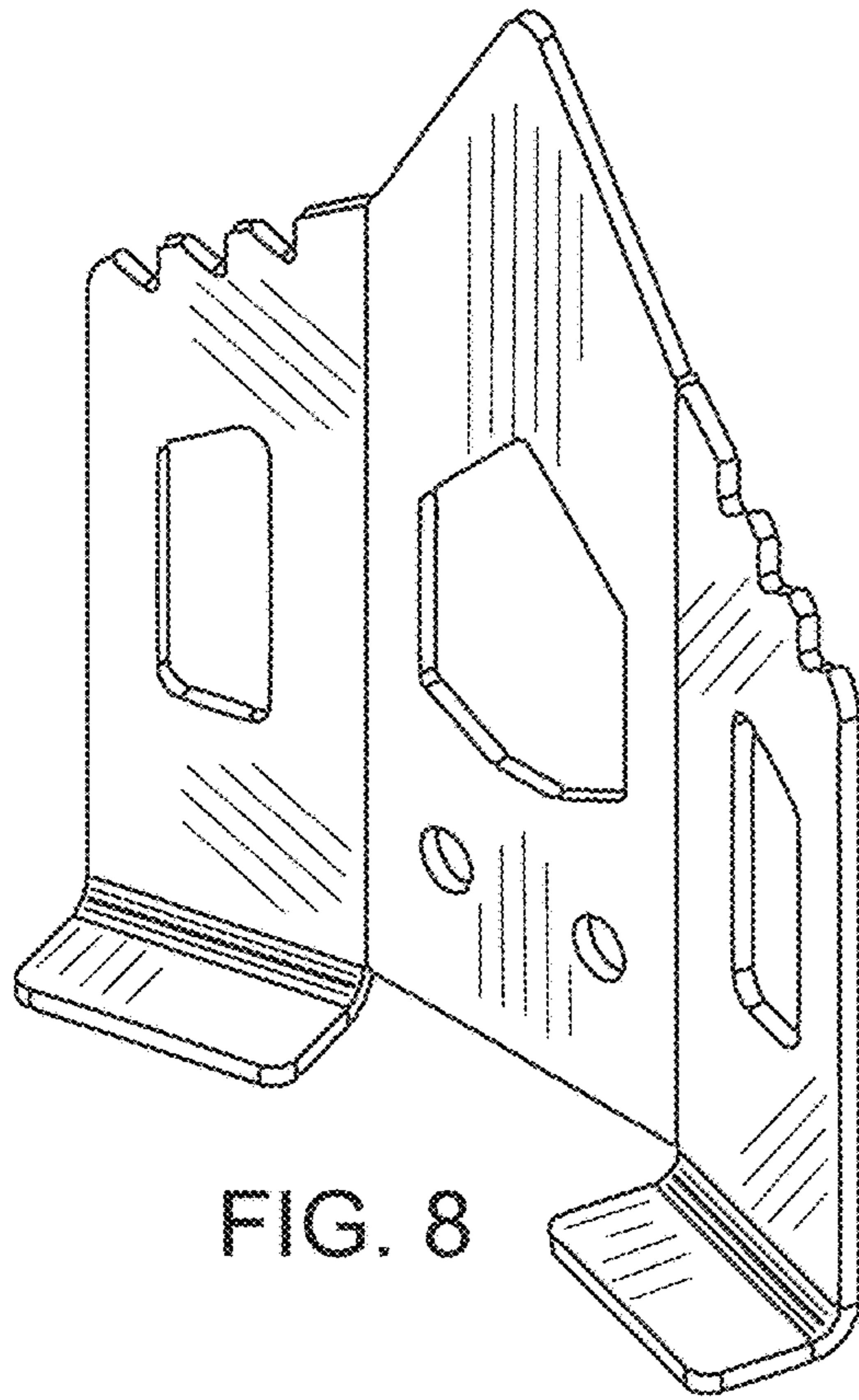


FIG. 8

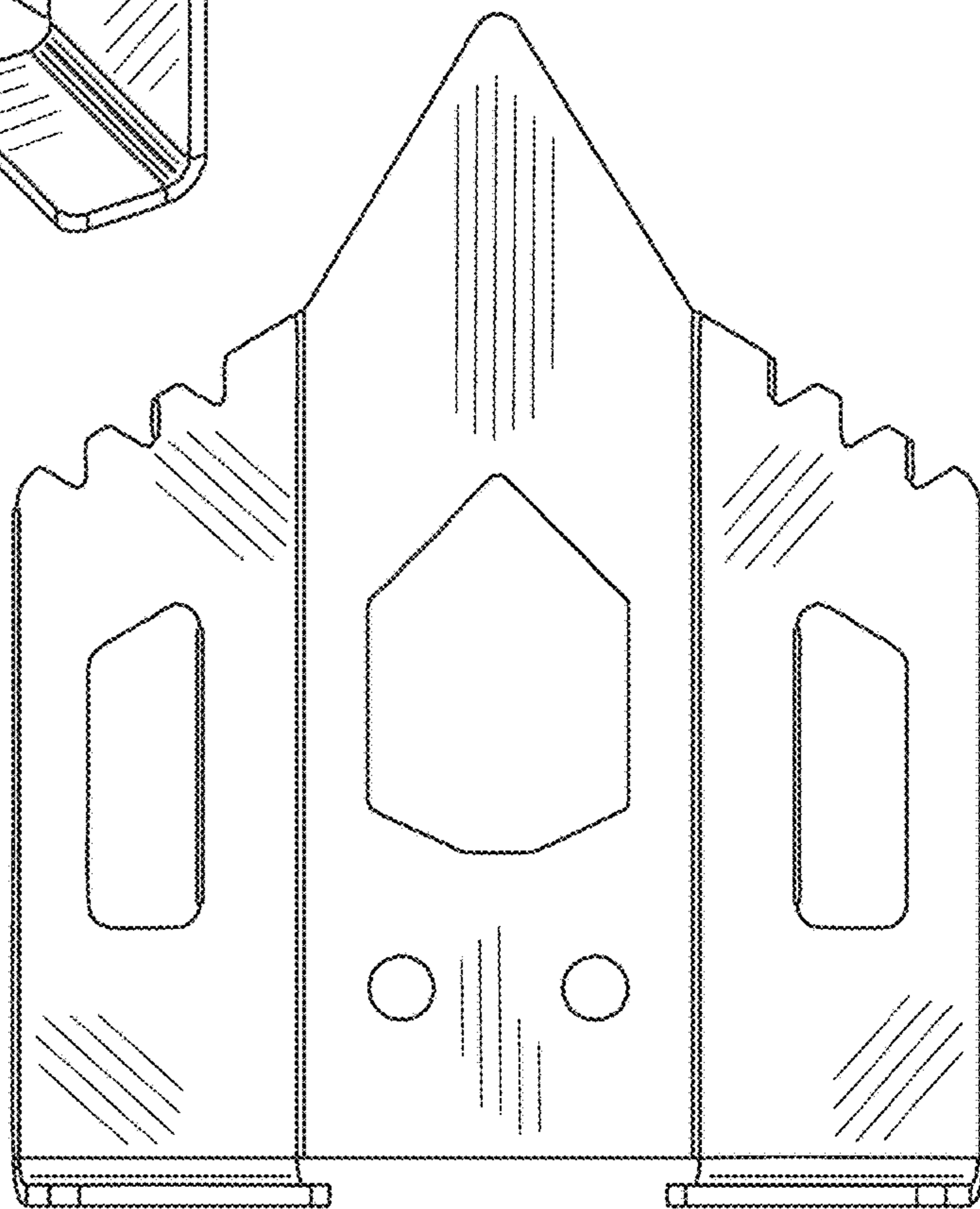


FIG. 9

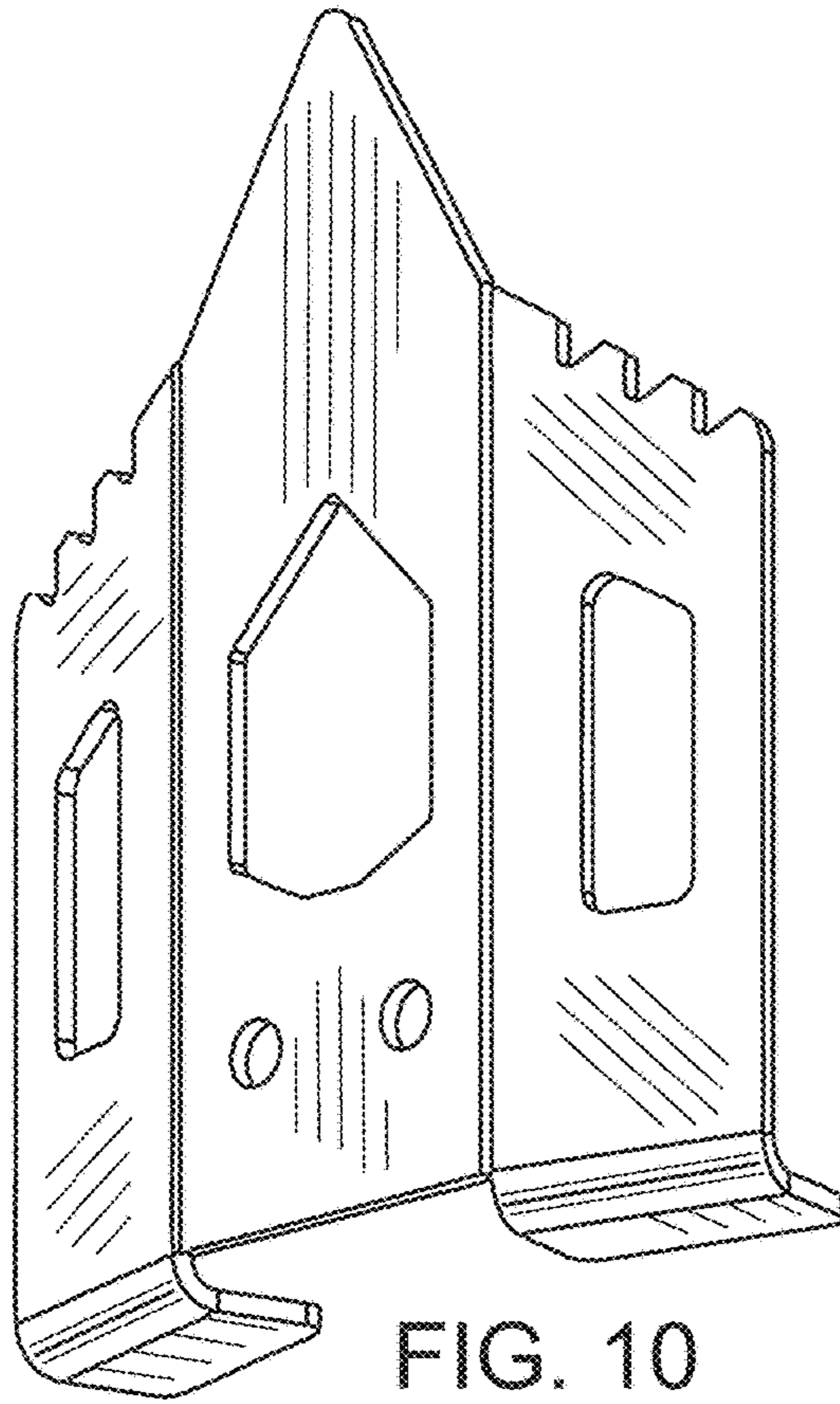


FIG. 10

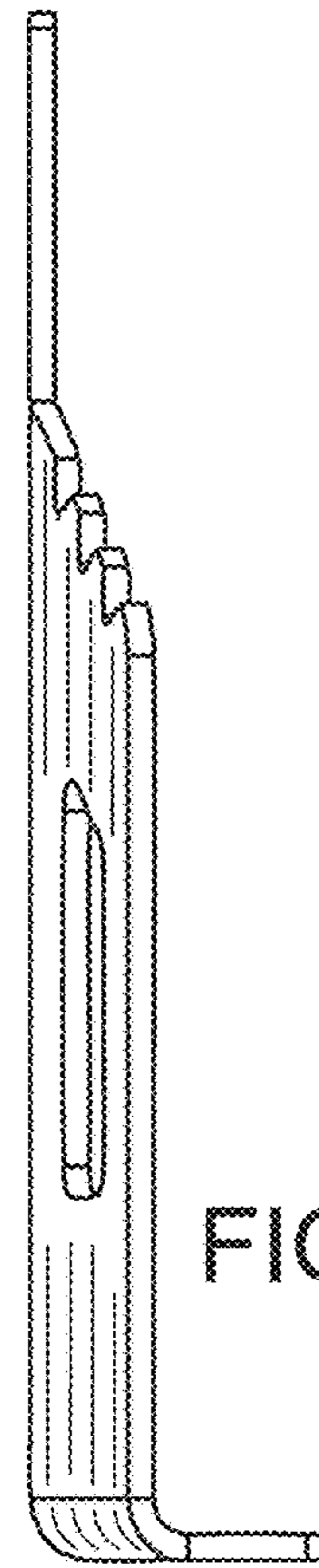


FIG. 11



FIG. 12