



US00D827545S

(12) **United States Design Patent**
Kawaguchi et al.

(10) **Patent No.:** **US D827,545 S**
(45) **Date of Patent:** **** Sep. 4, 2018**

- (54) **WHEEL FOR AN AUTOMOBILE**
- (71) Applicant: **HONDA MOTOR CO., LTD.**, Tokyo (JP)
- (72) Inventors: **Shogo Kawaguchi**, Wako (JP); **Tetsuji Morikawa**, Wako (JP)
- (73) Assignee: **HONDA MOTOR CO., LTD.**, Tokyo (JP)
- (**) Term: **15 Years**
- (21) Appl. No.: **29/598,657**
- (22) Filed: **Mar. 28, 2017**

(30) **Foreign Application Priority Data**

Sep. 30, 2016 (JP) 2016-021101

(51) **LOC (11) Cl.** **12-16**

(52) **U.S. Cl.**
USPC **D12/209**

(58) **Field of Classification Search**
USPC D12/400, 204–213, 217, 501; D9/452, D9/538, 541, 546, 559, 669; D7/506, D7/539, 540, 556, 563, 567, 615, 675, D7/677; D21/763, 771, 779, 495, 561, D21/563

CPC B60B 7/00; B60B 7/02; B60B 7/04; B60B 7/01; B60B 7/06; B60B 3/02; B60B 3/04; B60B 3/06; B60B 3/10; B60B 1/00; B60B 1/08; B60B 1/10; B60B 1/12

See application file for complete search history.

(56) **References Cited**

U.S. PATENT DOCUMENTS

- D371,100 S * 6/1996 Hatter D12/209
- D384,630 S * 10/1997 Bhambra D12/209
- D409,546 S * 5/1999 Stark D12/209
- D411,158 S * 6/1999 Chung D12/209
- D411,159 S * 6/1999 Neeper D12/211

- D472,509 S * 4/2003 Laengerer D12/209
- D594,800 S * 6/2009 Blasi D12/209
- D619,524 S * 7/2010 Gabath D12/209
- D619,951 S * 7/2010 Baum D12/209
- D631,812 S * 2/2011 Juergens D12/209
- D631,814 S * 2/2011 Baum D12/209
- D652,361 S * 1/2012 Forschner D12/209
- D654,842 S * 2/2012 Blasi D12/209
- D655,660 S * 3/2012 Stucki D12/209
- D664,081 S * 7/2012 Muller D12/209
- D664,488 S * 7/2012 Guille D12/209
- D669,833 S * 10/2012 Pollmann D12/209
- D671,474 S * 11/2012 Juergens D12/209
- D671,478 S * 11/2012 Baum D12/209

(Continued)

OTHER PUBLICATIONS

Wheels. (Design—© Questel) orbit.com.[online PDF] 54 pgs. Publish Dates range from Nov. 8, 2010 to Oct. 2, 2017. [Retrieved on Apr. 5, 2018] <https://sobjprd.questel.fr/export/QPTUJ214/pdf2/e3dd71b3-ce83-402f-8b63-0732fccccd3f-183002.pdf>*

Primary Examiner — Susan Bennett Hattan

Assistant Examiner — Marie D. Fast Horse

(74) *Attorney, Agent, or Firm* — Westerman, Hattori, Daniels & Adrian, LLP

(57) **CLAIM**

The ornamental design for a wheel for an automobile, as shown and described herein.

DESCRIPTION

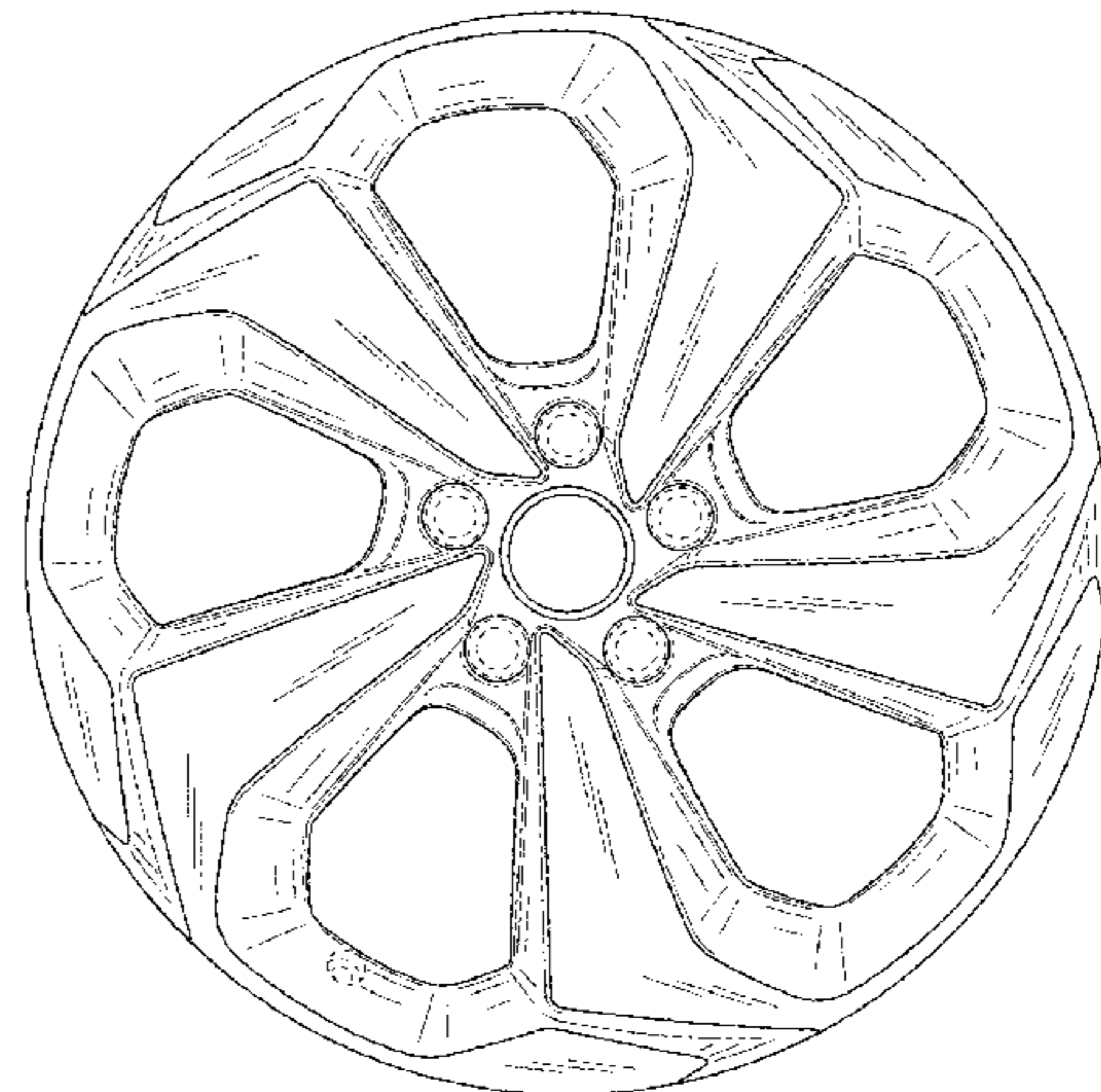
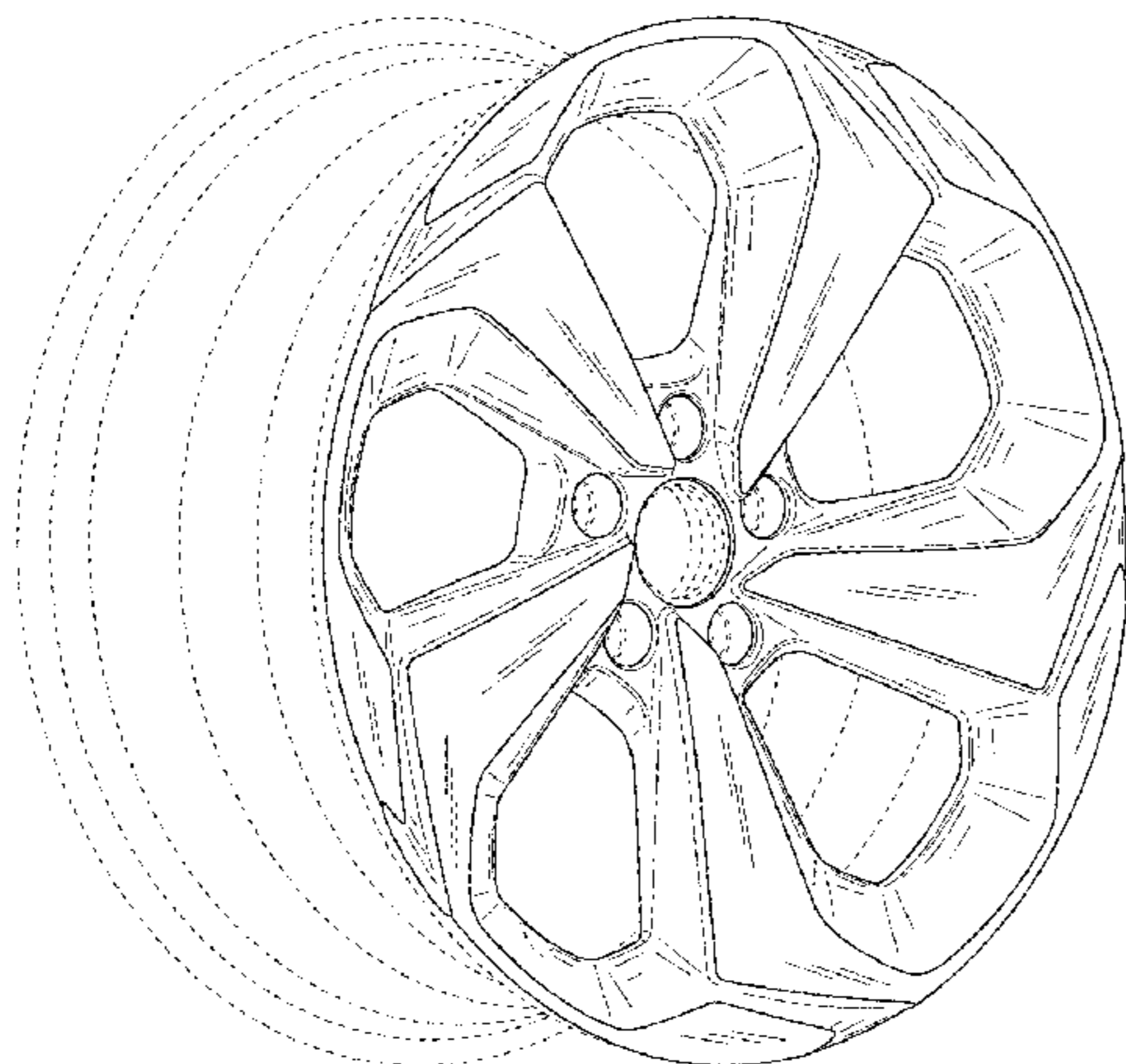
FIG. 1 is a front perspective view of a wheel for an automobile.

FIG. 2 is an enlarged partial front perspective view of a wheel for an automobile; and,

FIG. 3 is a front view of a wheel for an automobile.

The broken lines in the drawings depict portions of the wheel for an automobile that form no part of the claimed design.

1 Claim, 3 Drawing Sheets



(56)

References Cited

U.S. PATENT DOCUMENTS

D673,097 S * 12/2012 Lemke D12/209
 D674,330 S * 1/2013 Kito D12/209
 D682,176 S * 5/2013 Badstuebner D12/209
 D683,680 S * 6/2013 Kito D12/204
 D685,709 S * 7/2013 Hanaoka D12/209
 D685,710 S * 7/2013 Hanaoka D12/204
 D686,133 S * 7/2013 Juergens D12/209
 D695,184 S * 12/2013 Pollmann D12/209
 D695,190 S * 12/2013 Goto D12/209
 D695,191 S * 12/2013 Kogawa D12/209
 D705,714 S * 5/2014 Hanaoka D12/209
 D706,194 S * 6/2014 Hanaoka D12/209
 D723,989 S * 3/2015 Morikawa D12/209
 D740,191 S * 10/2015 Webber D12/209
 D752,499 S * 3/2016 Sze D12/211
 D757,625 S * 5/2016 Hu D12/209
 D759,566 S * 6/2016 Valencia Pollex D12/211

D763,158 S * 8/2016 Hara D12/209
 D763,159 S * 8/2016 Valencia Pollex D12/209
 D765,002 S * 8/2016 Hoste D12/209
 D766,153 S * 9/2016 Wheel D12/209
 D768,553 S * 10/2016 Ishii D12/209
 D774,434 S * 12/2016 Nakahara D12/209
 D777,638 S * 1/2017 Peat D12/209
 D780,083 S * 2/2017 Wheel D12/209
 D780,086 S * 2/2017 Galante D12/210
 D781,761 S * 3/2017 Lee D12/209
 D783,487 S * 4/2017 Koglin D12/209
 D783,491 S * 4/2017 Valencia Pollex D12/209
 D783,492 S * 4/2017 Valencia Pollex D12/209
 D790,426 S * 6/2017 Valencia Pollex D12/209
 D792,305 S * 7/2017 Terui D12/209
 D792,306 S * 7/2017 Ishigaki D12/209
 D803,131 S * 11/2017 Bridan D12/209
 9,815,323 B2 * 11/2017 Chenault, III B60B 3/06
 D804,391 S * 12/2017 Ishii D12/209

* cited by examiner

FIG. 1

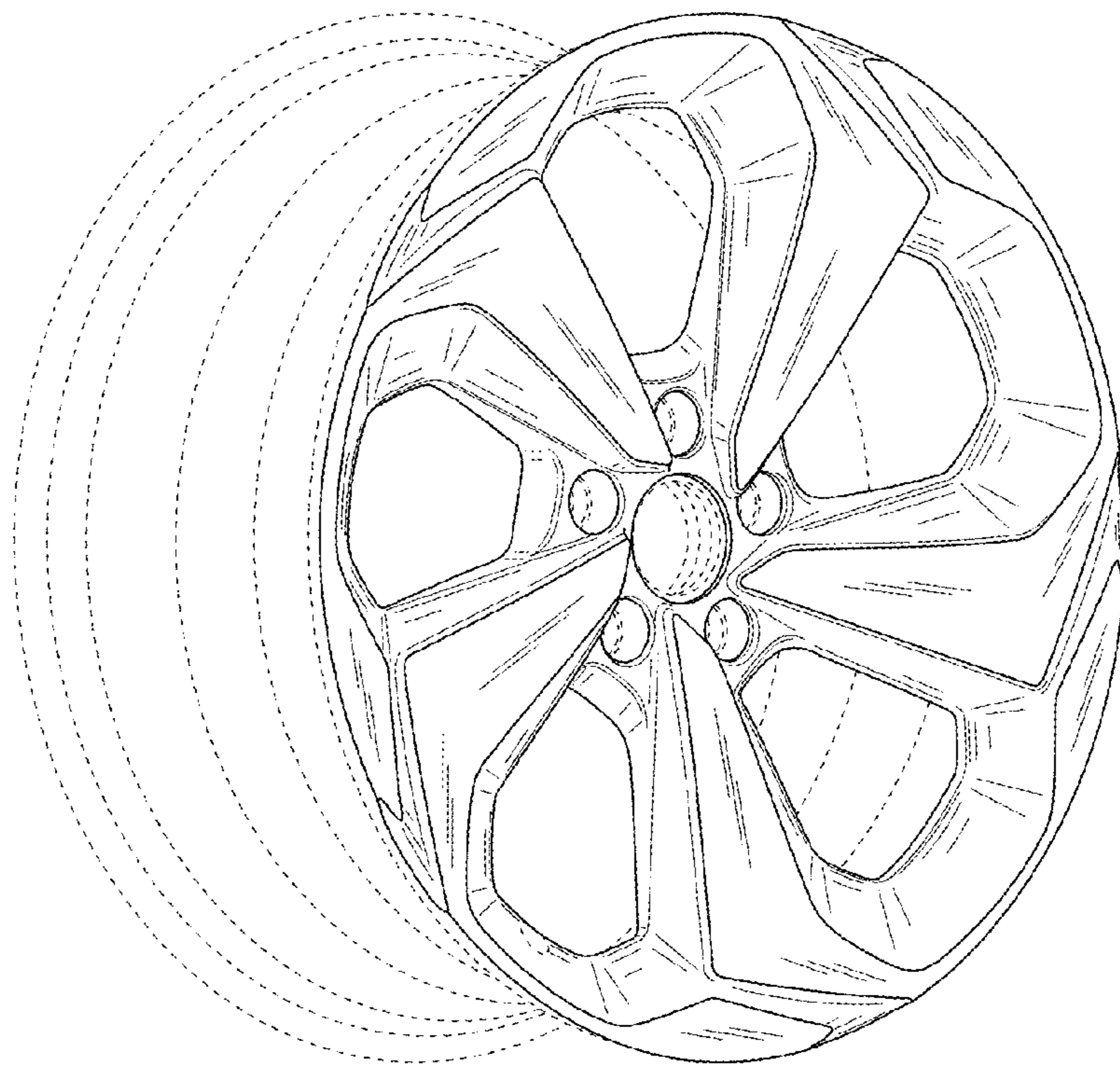


FIG. 2

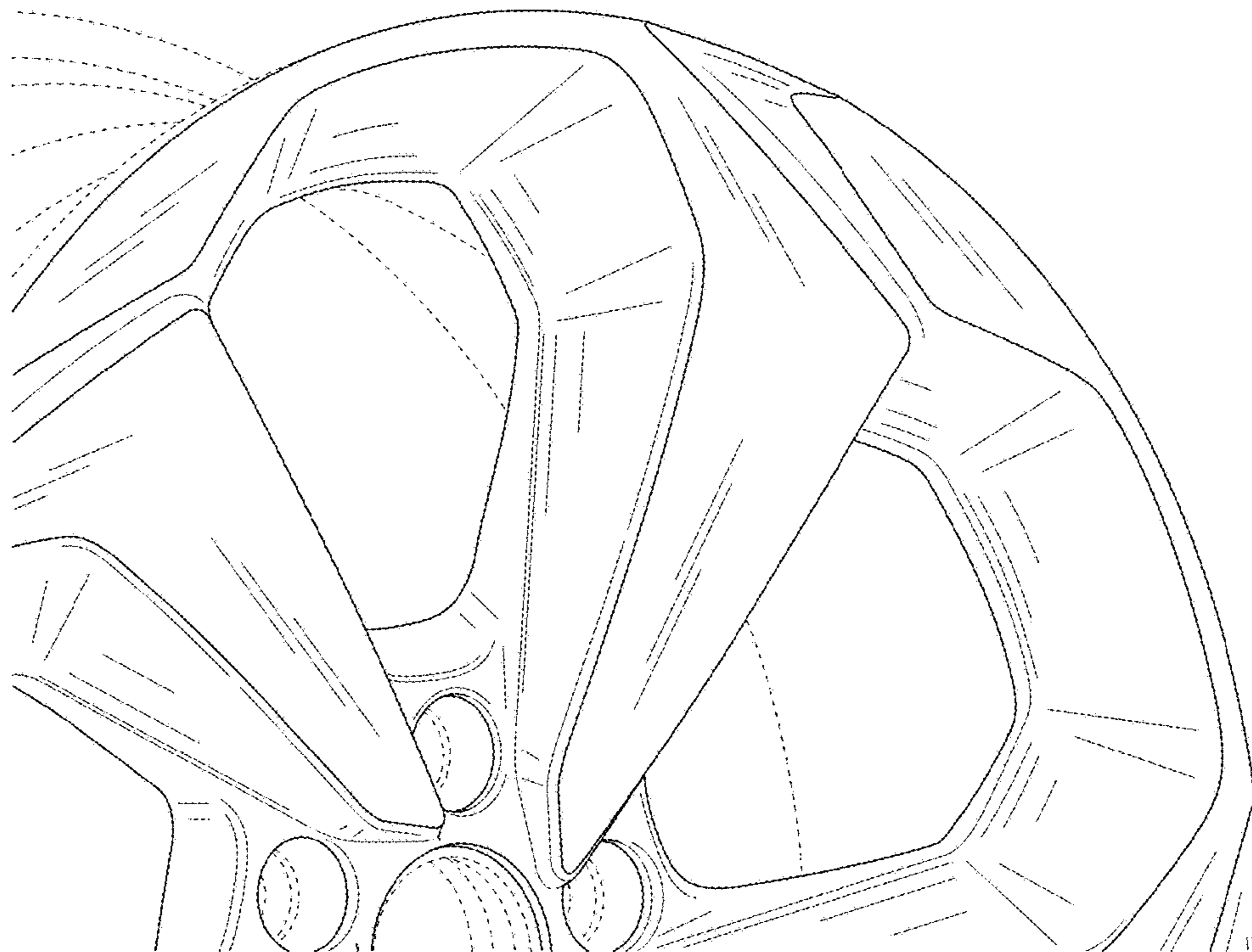


FIG. 3

