



US00D827544S

(12) **United States Design Patent** (10) **Patent No.:** **US D827,544 S**
Platto et al. (45) **Date of Patent:** **** Sep. 4, 2018**

(54) **VEHICLE WHEEL**

(71) Applicant: **Ford Global Technologies, LLC**,
Dearborn, MI (US)

(72) Inventors: **Gordon M. Platto**, Troy, MI (US);
Damon G. DePeyster, Northville, MI
(US); **William K. Moore**, West
Bloomfield, MI (US)

(73) Assignee: **Ford Global Technologies, LLC**,
Dearborn, MI (US)

(**) Term: **15 Years**

(21) Appl. No.: **29/597,540**

(22) Filed: **Mar. 17, 2017**

(51) **LOC (11) Cl.** **12-16**

(52) **U.S. Cl.**
USPC **D12/209**

(58) **Field of Classification Search**
USPC D12/204–213
CPC B60B 7/00; B60B 7/02; B60B 7/04; B60B
7/06; B60B 3/02; B60B 3/04; B60B 3/06;
B60B 3/10
See application file for complete search history.

D608,714 S 1/2010 Bucher et al.
D608,715 S 1/2010 Bucher et al.
D609,155 S 2/2010 Bucher et al.
D615,916 S * 5/2010 Leone D12/211
D651,960 S * 1/2012 Sahara D12/209
D708,108 S * 7/2014 Wheel D12/209
D730,800 S 6/2015 Bucher et al.
D736,130 S * 8/2015 Wheel D12/209
D739,328 S * 9/2015 Buck D12/209
D750,543 S 3/2016 Bucher et al.
D751,019 S 3/2016 Bucher et al.
D758,278 S 6/2016 Bucher et al.
D763,762 S * 8/2016 Ghobrial D12/209
D764,372 S 8/2016 Behmer et al.
D783,489 S * 4/2017 Bucher D12/209
D787,406 S * 5/2017 Piscitelli D12/209
D797,635 S * 9/2017 Rueckheim D12/209

* cited by examiner

Primary Examiner — Sheryl L Lane
Assistant Examiner — Calvin E Vansant
(74) *Attorney, Agent, or Firm* — James Dottavio

(57) **CLAIM**

The ornamental design for a vehicle wheel, as shown and described.

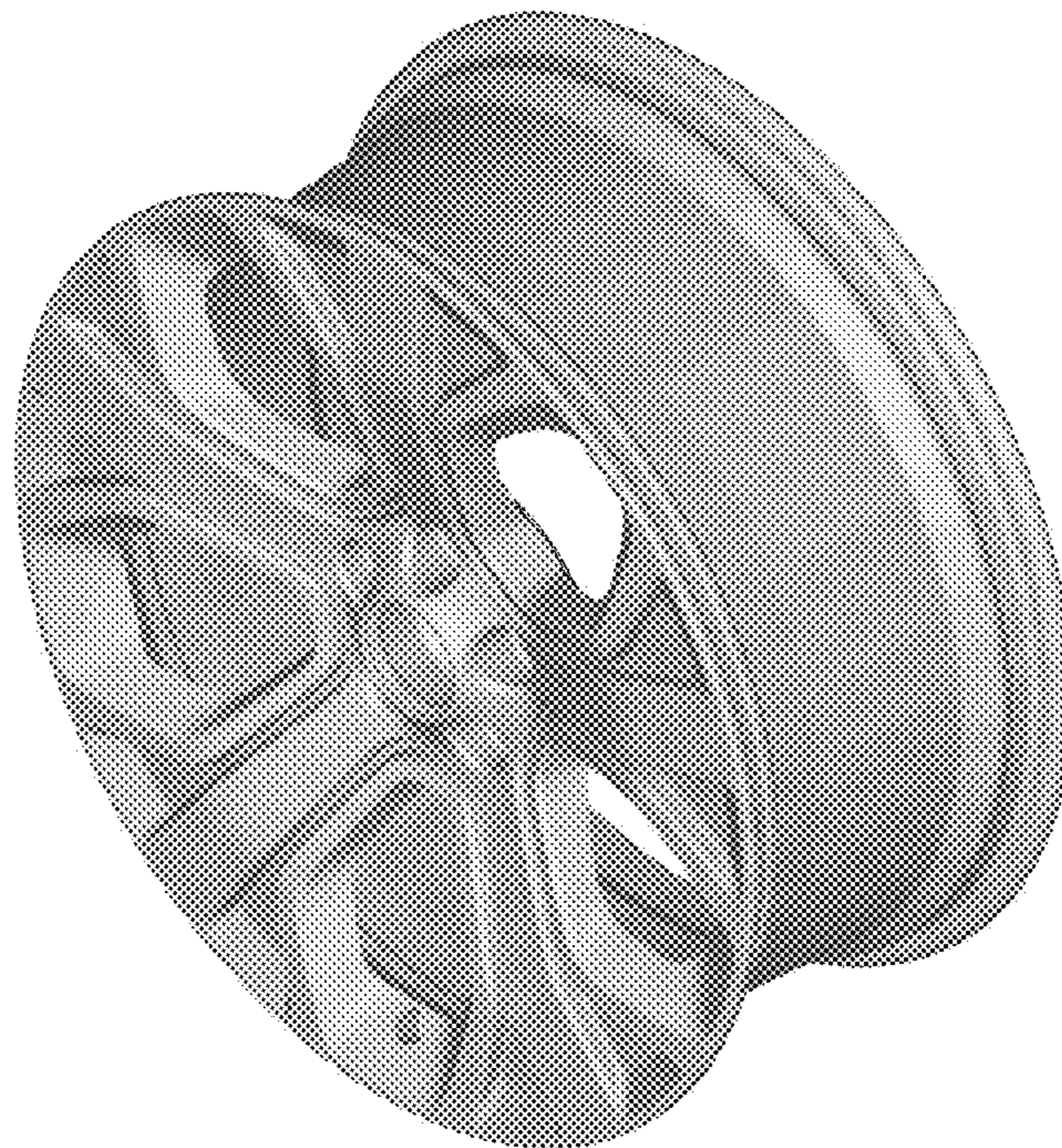
DESCRIPTION

FIG. 1 is a top perspective view of a vehicle wheel showing our new design; and,
FIG. 2 is a front elevational view thereof.
Any broken lines represent an internal boundry of the design; the line itself and the area within form no part of the claim.

1 Claim, 2 Drawing Sheets

(56) **References Cited**
U.S. PATENT DOCUMENTS

D411,977 S * 7/1999 Feriero D12/209
D519,903 S * 5/2006 Ditty D12/209
D576,936 S * 9/2008 Imai D12/209
D608,713 S 1/2010 Bucher et al.



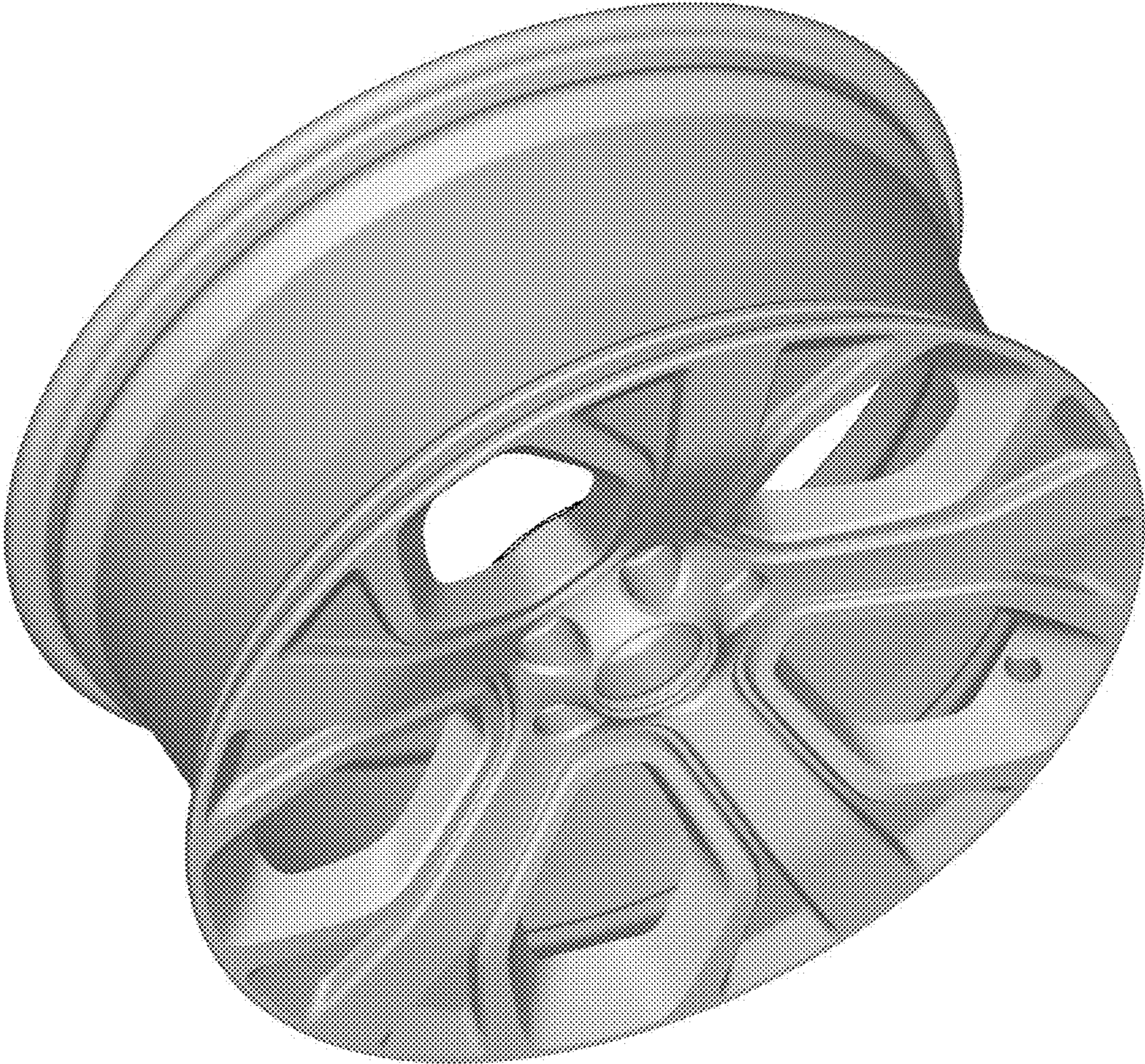


Figure 1



Figure 2