



US00D827543S

(12) **United States Design Patent** (10) **Patent No.:** **US D827,543 S**  
**Woodhouse et al.** (45) **Date of Patent:** **\*\* Sep. 4, 2018**

(54) **VEHICLE WHEEL**

(56) **References Cited**

(71) Applicant: **Ford Global Technologies, LLC**,  
Dearborn, MI (US)  
(72) Inventors: **David Woodhouse**, Troy, MI (US);  
**Earl Lucas**, Southfield, MI (US);  
**Solomon Song**, Farmington Hills, MI  
(US); **Mark Kaski**, Royal Oak, MI  
(US)  
(73) Assignee: **Ford Global Technologies, LLC**,  
Dearborn, MI (US)

U.S. PATENT DOCUMENTS

D609,624 S	*	2/2010	Matsubara .....	D12/211
D628,948 S	*	12/2010	Chung .....	D12/211
D680,484 S	*	4/2013	Zhao .....	D12/209
D715,210 S		10/2014	Wolff et al.	
D724,513 S		3/2015	Wolff et al.	
D776,596 S	*	1/2017	Wolff .....	D12/211
D788,678 S	*	6/2017	Svensson .....	D12/211
D795,151 S	*	8/2017	Valencia Pollex .....	D12/209
D795,777 S	*	8/2017	Valencia Pollex .....	D12/211
D799,395 S	*	10/2017	Chung .....	D12/209
D803,754 S	*	11/2017	Chung .....	D12/211

(\*\*) Term: **15 Years**

\* cited by examiner

(21) Appl. No.: **29/597,082**

*Primary Examiner* — Sheryl Lane

(22) Filed: **Mar. 14, 2017**

*Assistant Examiner* — Calvin E Vansant

(51) **LOC (11) Cl.** ..... **12-16**

(74) *Attorney, Agent, or Firm* — James Dottavio

(52) **U.S. Cl.**  
USPC ..... **D12/209**

(57) **CLAIM**

The ornamental design for a vehicle wheel, as shown.

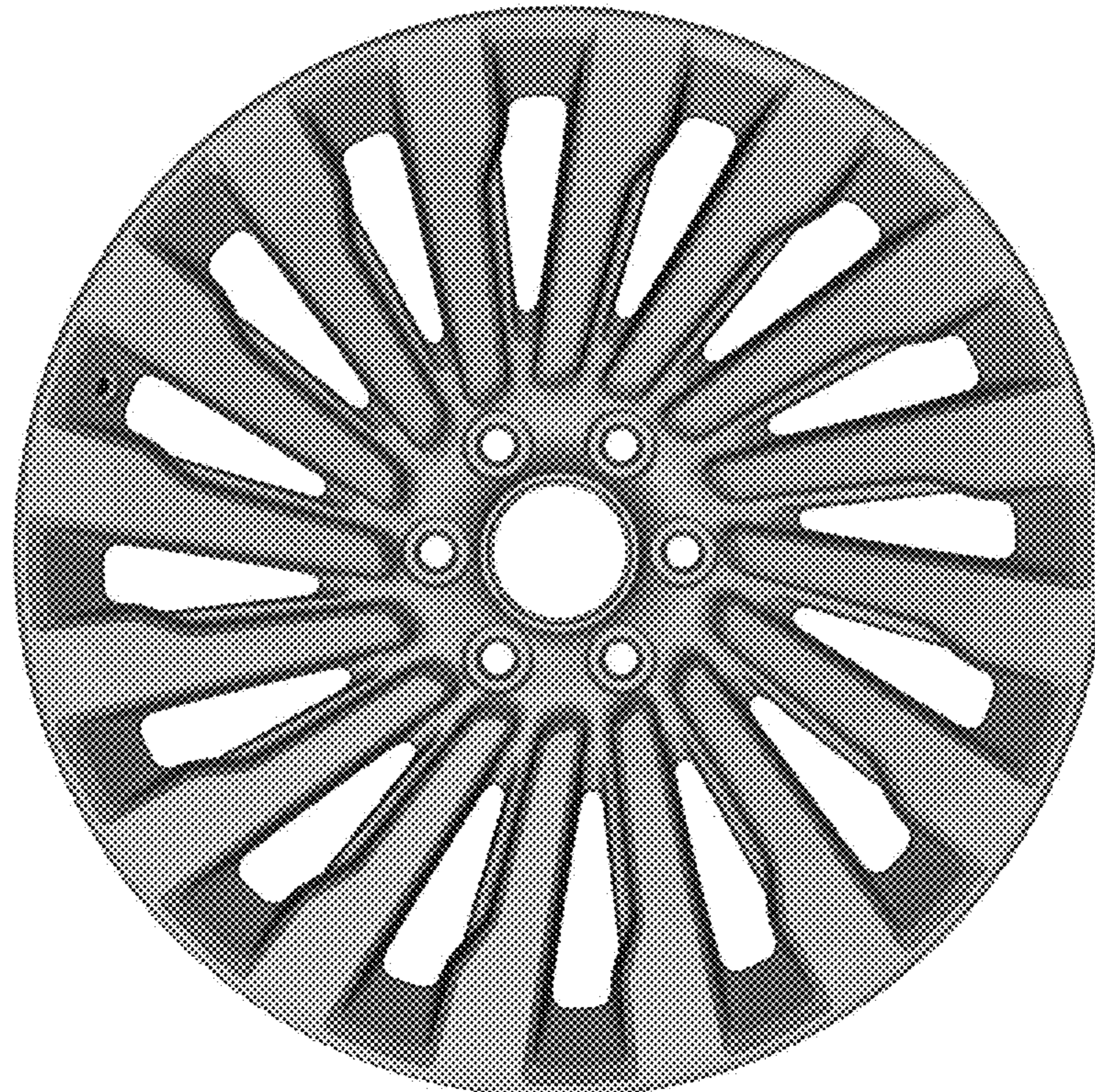
(58) **Field of Classification Search**  
USPC ..... D12/204–213; D21/533, 561, 563  
CPC .... B60B 7/00; B60B 7/02; B60B 7/04; B60B  
7/06; B60B 3/02; B60B 3/04; B60B 3/06;  
B60B 3/10; B60B 1/00; B60B 1/08;  
B60B 1/10; B60B 1/12

**DESCRIPTION**

FIG. 1 is a top perspective view of a vehicle wheel showing our new design; and, FIG. 2 is a front elevational view thereof.

See application file for complete search history.

**1 Claim, 2 Drawing Sheets**





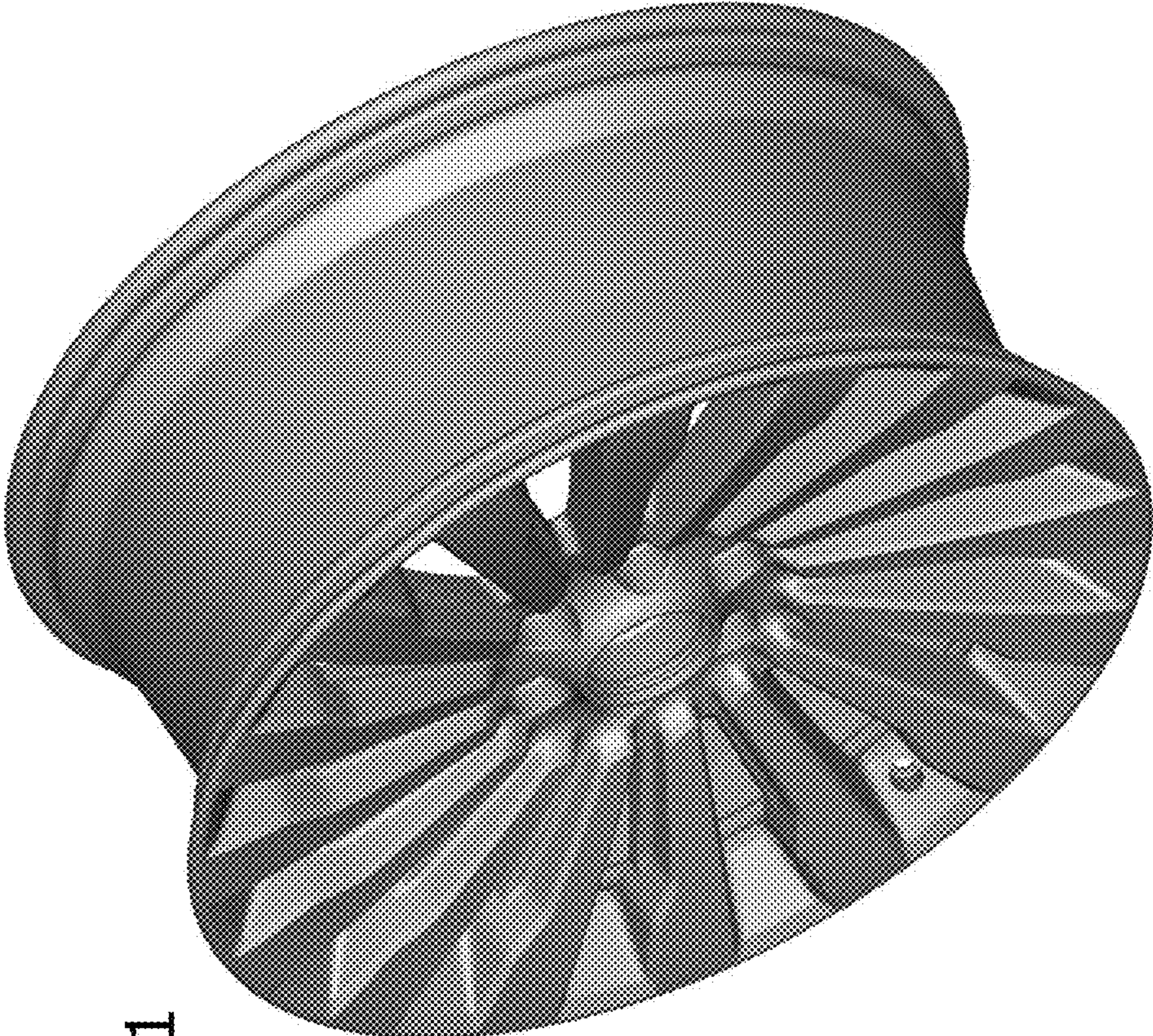


Figure 1



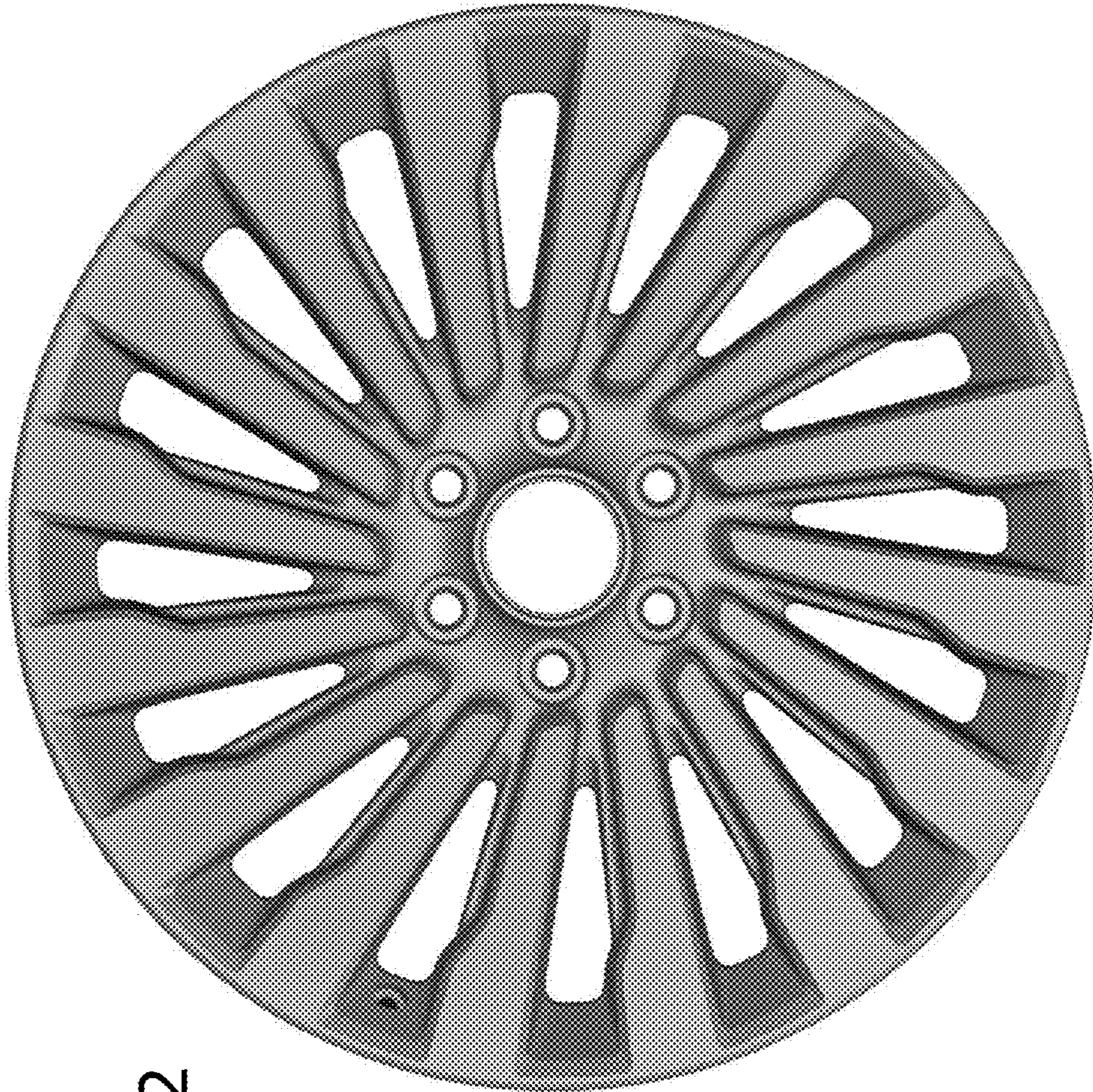


Figure 2