



US00D827541S

(12) **United States Design Patent** (10) **Patent No.:** **US D827,541 S**  
**Bucher et al.** (45) **Date of Patent:** **\*\* Sep. 4, 2018**

(54) **VEHICLE WHEEL**  
(71) Applicant: **Ford Global Technologies, LLC**,  
Dearborn, MI (US)  
(72) Inventors: **George Bucher**, Dearborn, MI (US);  
**James Grake**, Beverly Hills, MI (US);  
**Steven Gilmore**, Farmington Hills, MI  
(US)  
(73) Assignee: **Ford Global Technologies, LLC**,  
Dearborn, MI (US)

|              |         |                   |         |
|--------------|---------|-------------------|---------|
| D581,849 S * | 12/2008 | Laengerer .....   | D12/209 |
| D589,864 S * | 4/2009  | Friedrich .....   | D12/209 |
| D618,607 S * | 6/2010  | Hilpert .....     | D12/211 |
| D675,972 S * | 2/2013  | Lee .....         | D12/209 |
| D692,816 S * | 11/2013 | Zhang .....       | D12/209 |
| D715,208 S   | 10/2014 | Grake et al.      |         |
| D718,207 S   | 11/2014 | Grake et al.      |         |
| D720,676 S * | 1/2015  | Caswell .....     | D12/209 |
| D722,938 S * | 2/2015  | Chung .....       | D12/211 |
| D725,573 S * | 3/2015  | Mahoney .....     | D12/211 |
| D732,449 S   | 6/2015  | Grake et al.      |         |
| D736,135 S * | 8/2015  | Grake .....       | D12/211 |
| D764,369 S * | 8/2016  | Wheel .....       | D12/209 |
| D765,006 S * | 8/2016  | Bildhaeuser ..... | D12/211 |
| D791,035 S * | 7/2017  | Palana .....      | D12/209 |

(\*\*) Term: **15 Years**

\* cited by examiner

(21) Appl. No.: **29/593,064**

*Primary Examiner* — Sheryl L Lane

(22) Filed: **Feb. 6, 2017**

*Assistant Examiner* — Calvin E Vansant

(51) **LOC (11) Cl.** ..... **12-16**

(74) *Attorney, Agent, or Firm* — James Dottavio

(52) **U.S. Cl.**  
USPC ..... **D12/209**

(57) **CLAIM**

(58) **Field of Classification Search**  
USPC ..... D12/204–213  
CPC .... B60B 7/00; B60B 7/02; B60B 7/04; B60B  
7/06; B60B 3/02; B60B 3/04; B60B 3/06;  
B60B 3/10  
See application file for complete search history.

The ornamental design for a vehicle wheel, as shown and described.

**DESCRIPTION**

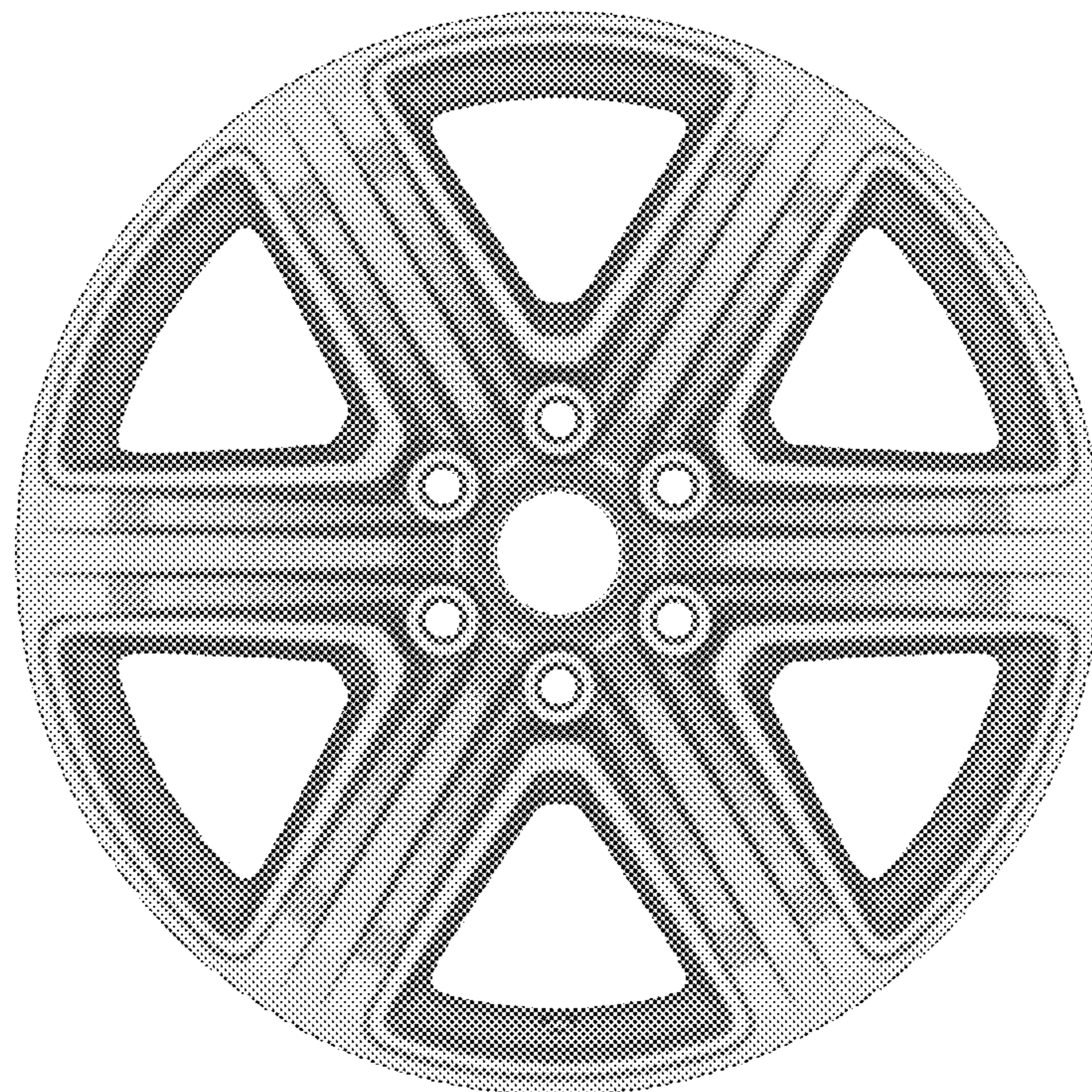
(56) **References Cited**

FIG. 1 is a top perspective view of a vehicle wheel showing our new design; and, FIG. 2 is a front elevational view thereof. Any broken lines represent an internal boundry of the design; the line itself and the area within form no part of the claim.

U.S. PATENT DOCUMENTS

|              |         |                 |         |
|--------------|---------|-----------------|---------|
| D529,429 S * | 10/2006 | Hsu .....       | D12/209 |
| D538,215 S * | 3/2007  | Laengerer ..... | D12/209 |

**1 Claim, 2 Drawing Sheets**





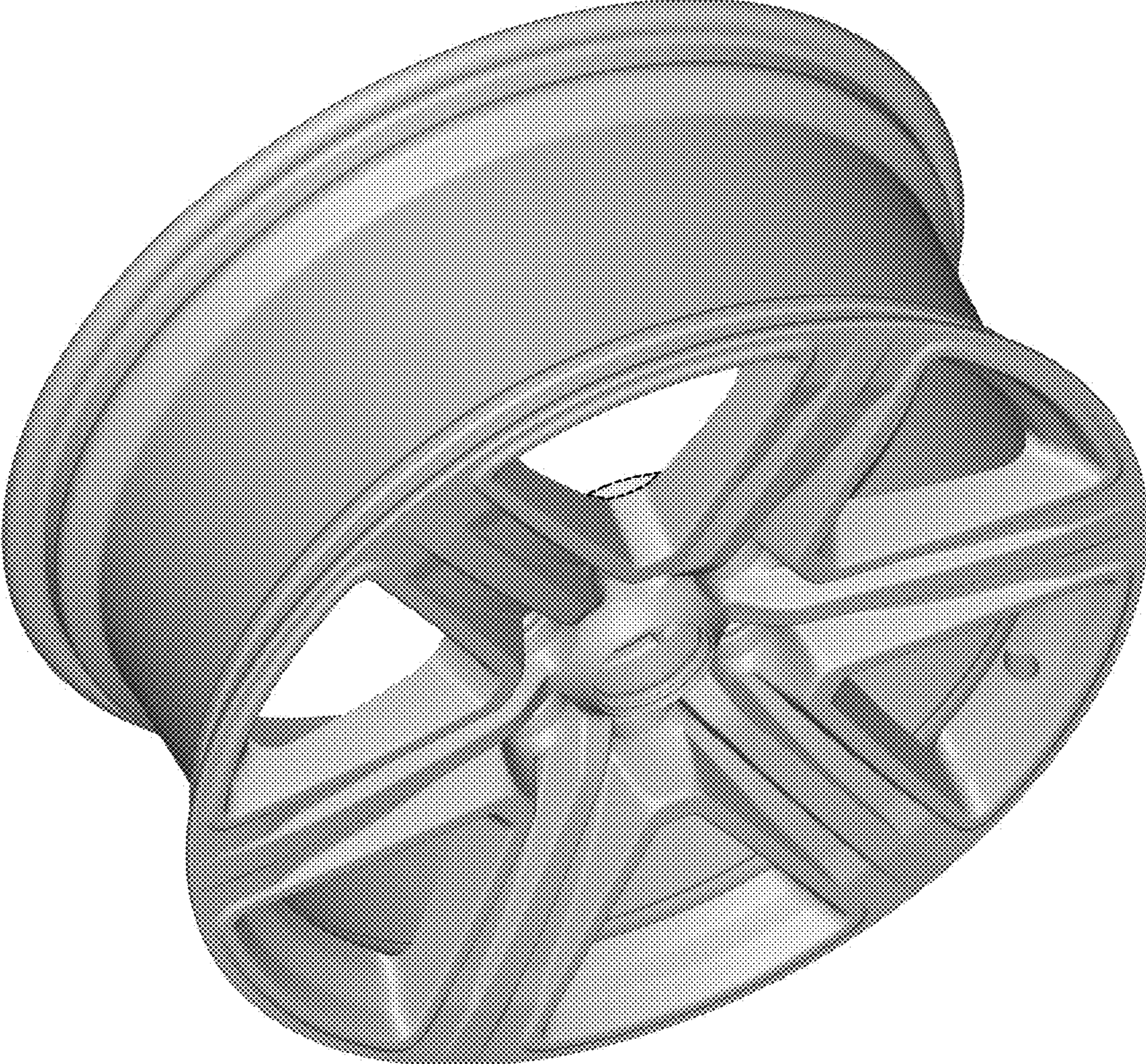


Figure 1





Figure 2