



US00D827538S

(12) **United States Design Patent** (10) **Patent No.:** **US D827,538 S**
Behmer et al. (45) **Date of Patent:** **** Sep. 4, 2018**

(54) **VEHICLE WHEEL**
(71) Applicant: **Ford Global Technologies, LLC**,
Dearborn, MI (US)
(72) Inventors: **Darrell P. Behmer**, Novi, MI (US);
Melvin Betancourt, Shelby Township,
MI (US); **Craig S. Metros**, Bloomfield,
MI (US); **Stavros Melabiotis**, Livonia,
MI (US); **Junmo Park**, Northville, MI
(US)
(73) Assignee: **Ford Global Technologies, LLC**,
Dearborn, MI (US)
(**) Term: **15 Years**
(21) Appl. No.: **29/590,864**
(22) Filed: **Jan. 13, 2017**
(51) **LOC (11) Cl.** **12-16**
(52) **U.S. Cl.**
USPC **D12/209**
(58) **Field of Classification Search**
USPC D12/204–213
CPC B60B 7/00; B60B 7/02; B60B 7/04; B60B
7/06; B60B 3/02; B60B 3/04; B60B 3/06;
B60B 3/10
See application file for complete search history.

D673,101 S 12/2012 Behmer et al.
D673,102 S 12/2012 Behmer et al.
D691,541 S * 10/2013 Behmer D12/209
D694,693 S 12/2013 Behmer et al.
D697,860 S * 1/2014 Borkert D12/211
D706,701 S 6/2014 Mays et al.
D708,112 S 7/2014 Mays et al.
D720,270 S 12/2014 Mays et al.
D721,027 S 1/2015 Mays et al.
D725,570 S 3/2015 Mays et al.
D726,091 S 4/2015 Mays et al.
D726,626 S 4/2015 Mays et al.
D730,795 S 6/2015 Mays et al.
D735,102 S * 7/2015 Swanseger D12/209
D738,282 S * 9/2015 Gallert D12/211
D744,931 S 12/2015 Curic et al.
D749,485 S * 2/2016 Gallert D12/211
D750,543 S * 3/2016 Behmer D12/209
D759,559 S * 6/2016 Mielke D12/209
D763,761 S * 8/2016 Dionisopoulos D12/209
D786,765 S * 5/2017 Gardavsky D12/209
D795,154 S * 8/2017 Hans D12/211
D799,394 S * 10/2017 Yamashita D12/209
D800,627 S * 10/2017 Mielke D12/209

* cited by examiner

Primary Examiner — Sheryl Lane

Assistant Examiner — Calvin E Vansant

(74) *Attorney, Agent, or Firm* — James Dottavio

(57) **CLAIM**

The ornamental design for a vehicle wheel, as shown and described.

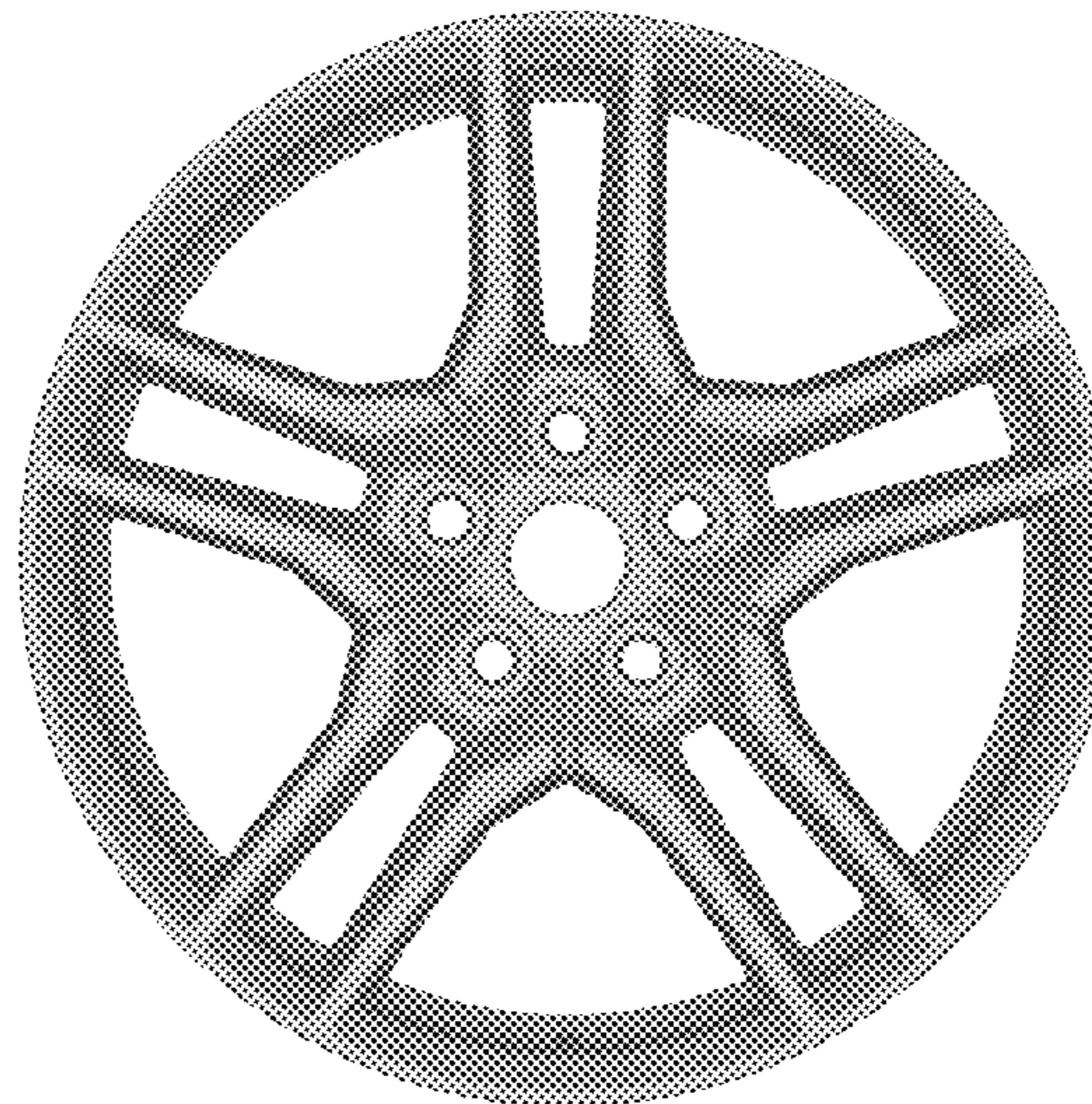
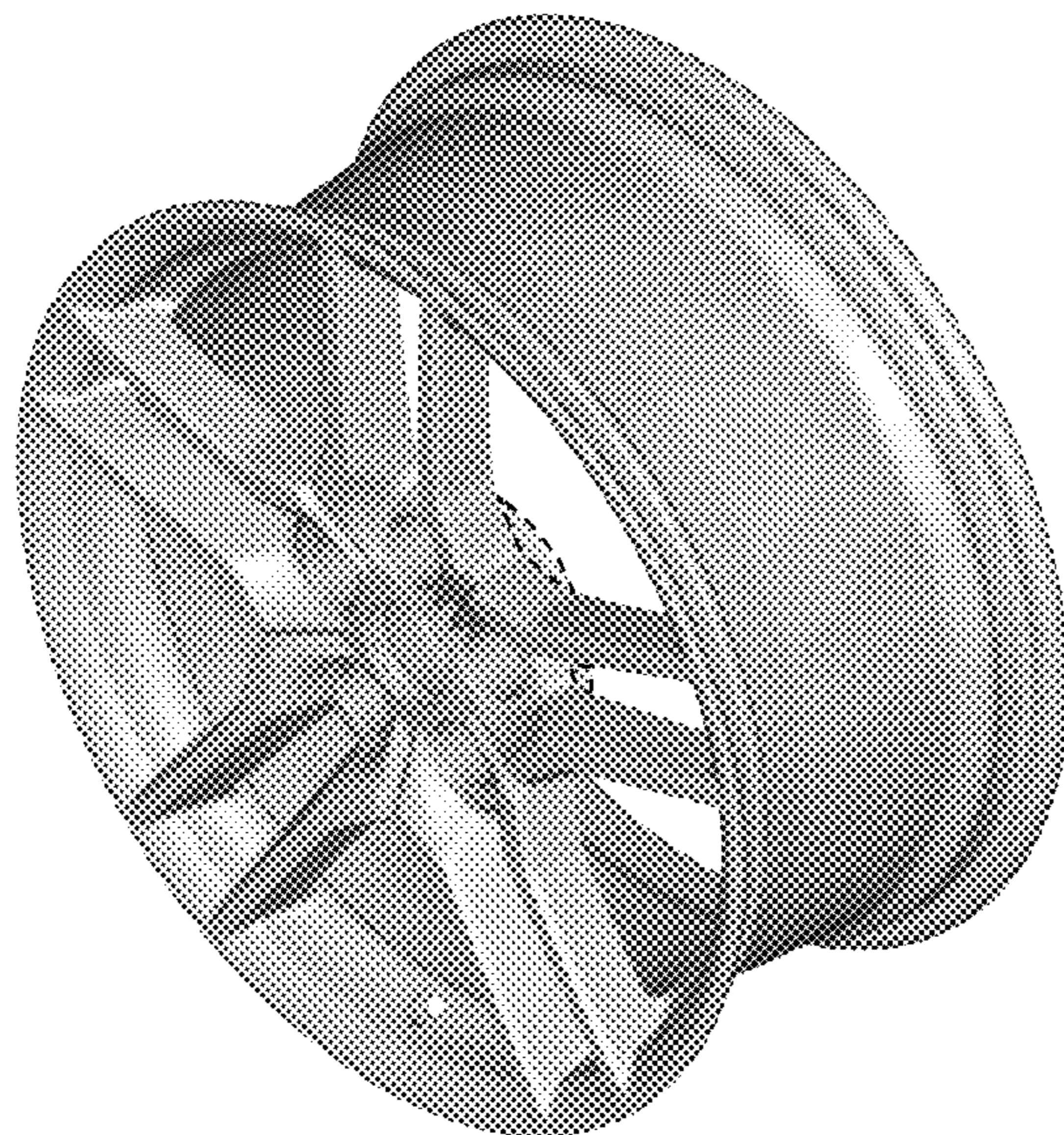
DESCRIPTION

FIG. 1 is a top perspective view of a vehicle wheel showing our new design; and, FIG. 2 is a front elevational view thereof. Any broken lines represent an internal boundary of the design; the line itself and the area within form no part of the claim.

1 Claim, 2 Drawing Sheets

(56) **References Cited**
U.S. PATENT DOCUMENTS

D542,211 S * 5/2007 Hieke D12/211
D567,736 S * 4/2008 Kim D12/209
D582,328 S * 12/2008 Hieke D12/209
D606,477 S 12/2009 Gelardi et al.
D620,865 S * 8/2010 Park D12/209
D621,317 S * 8/2010 Antoniadis D12/209
D673,094 S 12/2012 Behmer et al.
D673,095 S 12/2012 Behmer et al.



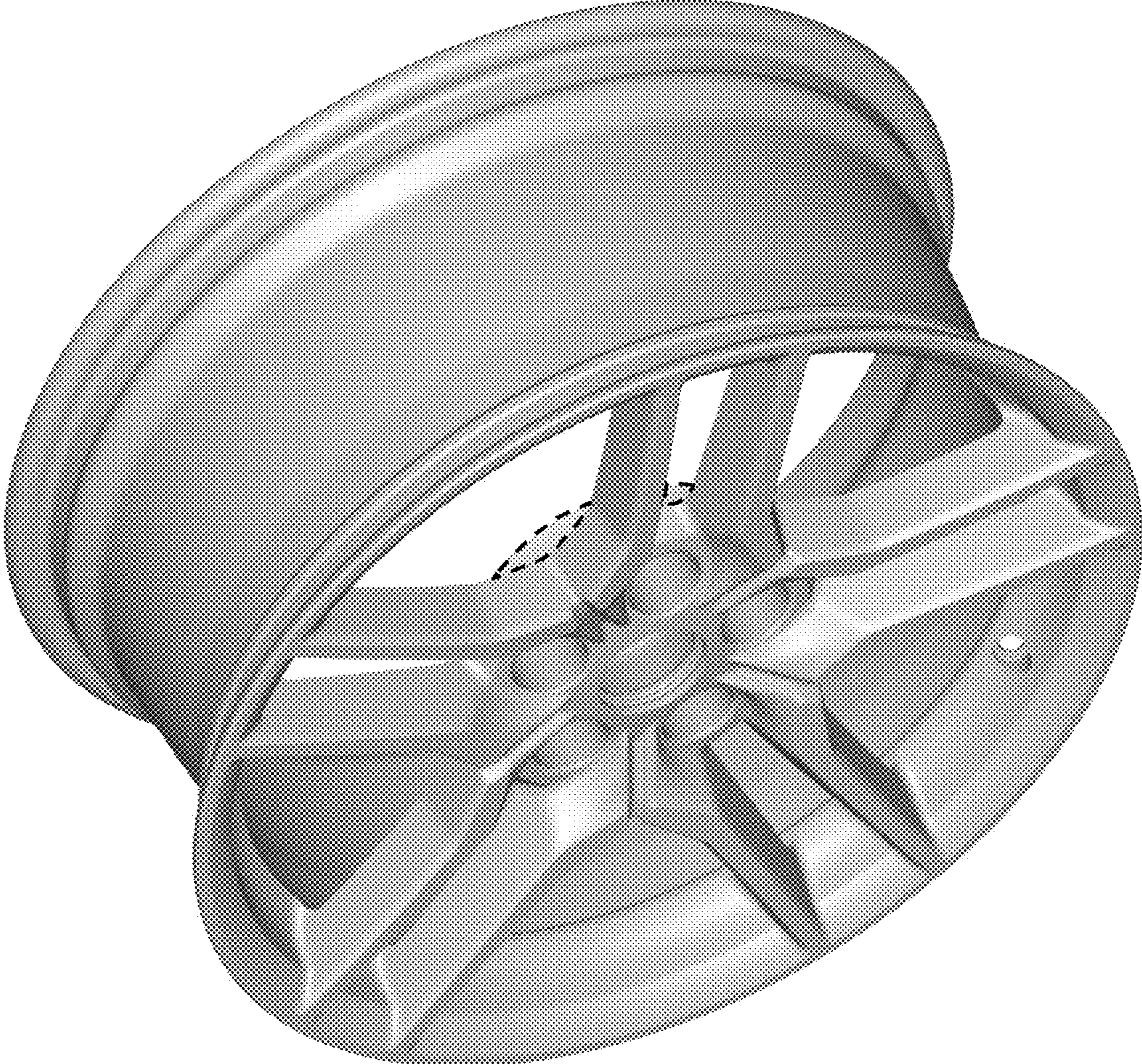


Figure 1



Figure 2