



US00D827537S

(12) **United States Design Patent**
Owens et al.

(10) **Patent No.:** **US D827,537 S**

(45) **Date of Patent:** **** Sep. 4, 2018**

(54) **AUTOMOBILE WHEEL**

(71) Applicants: **John S Owens**, Pleasant Ridge, MI (US); **Mark T Allen**, Oxford, MI (US)

(72) Inventors: **John S Owens**, Pleasant Ridge, MI (US); **Mark T Allen**, Oxford, MI (US)

(73) Assignee: **FCA US LLC**, Auburn Hills, MI (US)

(**) Term: **15 Years**

(21) Appl. No.: **29/575,315**

(22) Filed: **Aug. 24, 2016**

(51) **LOC (11) Cl.** **12-16**

(52) **U.S. Cl.**
USPC **D12/209**

(58) **Field of Classification Search**
USPC D12/204–213; D21/533, 561, 563
CPC B60B 7/00; B60B 7/02; B60B 7/04; B60B 7/06; B60B 3/02; B60B 3/04; B60B 3/06; B60B 3/10; B60B 1/00; B60B 1/08; B60B 1/10; B60B 1/12
See application file for complete search history.

(56) **References Cited**

U.S. PATENT DOCUMENTS

D455,993 S * 4/2002 Ayoub D12/211
D560,585 S * 1/2008 Blasi D12/209

D642,105 S * 7/2011 Chung D12/209
D673,096 S * 12/2012 Platto D12/209
D730,795 S * 6/2015 Mays D12/209
D750,543 S * 3/2016 Behmer D12/209
D758,279 S * 6/2016 Platto D12/211
D763,760 S * 8/2016 Gale D12/209
D763,764 S * 8/2016 Dunford D12/209
D767,465 S * 9/2016 Liffick D12/209
D781,198 S * 3/2017 Owens D12/209
D781,766 S * 3/2017 Galante D12/209
D810,646 S * 2/2018 Heizmann D12/209

* cited by examiner

Primary Examiner — Sheryl Lane

Assistant Examiner — Calvin E Vansant

(74) *Attorney, Agent, or Firm* — Ralph E. Smith

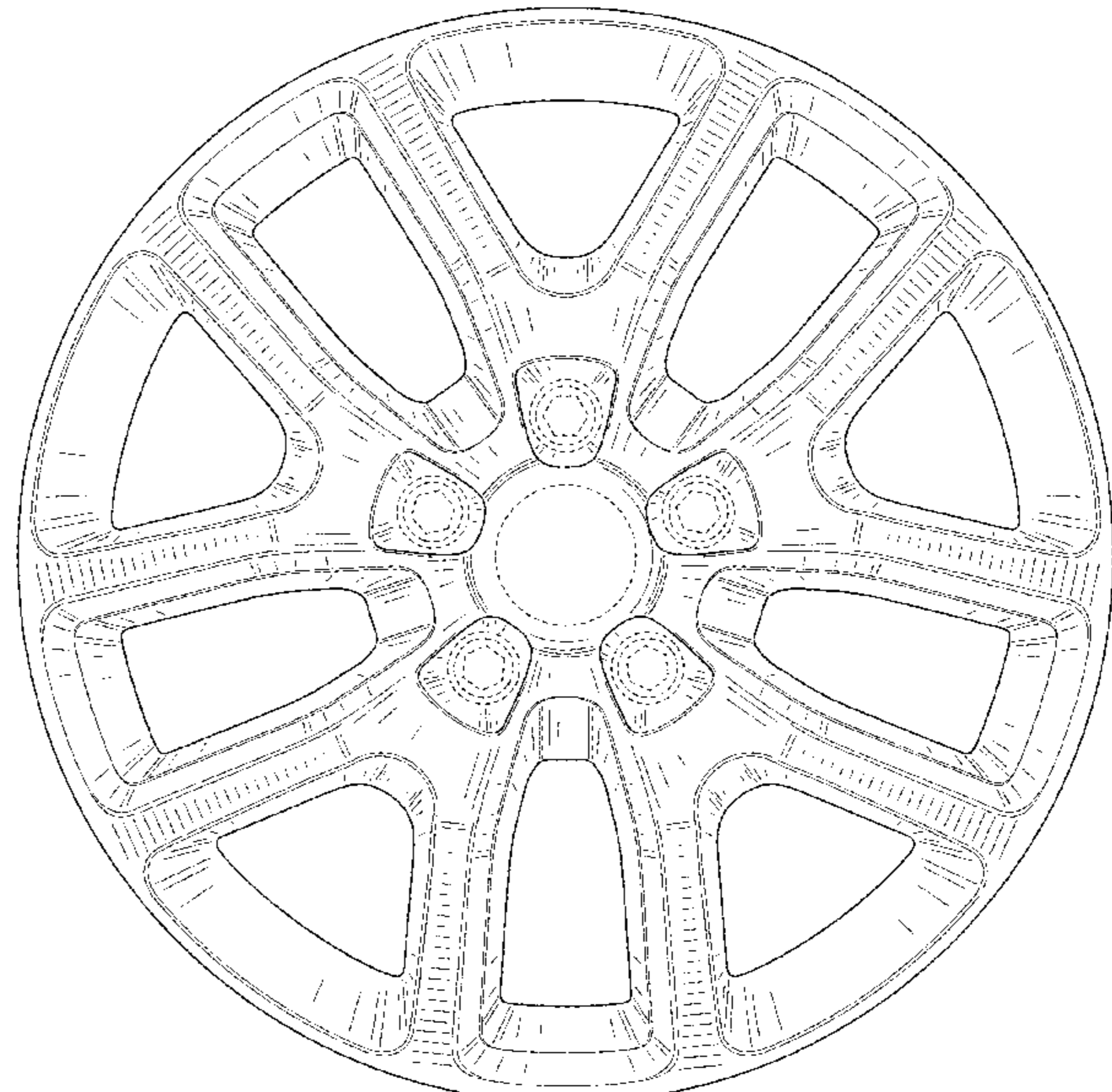
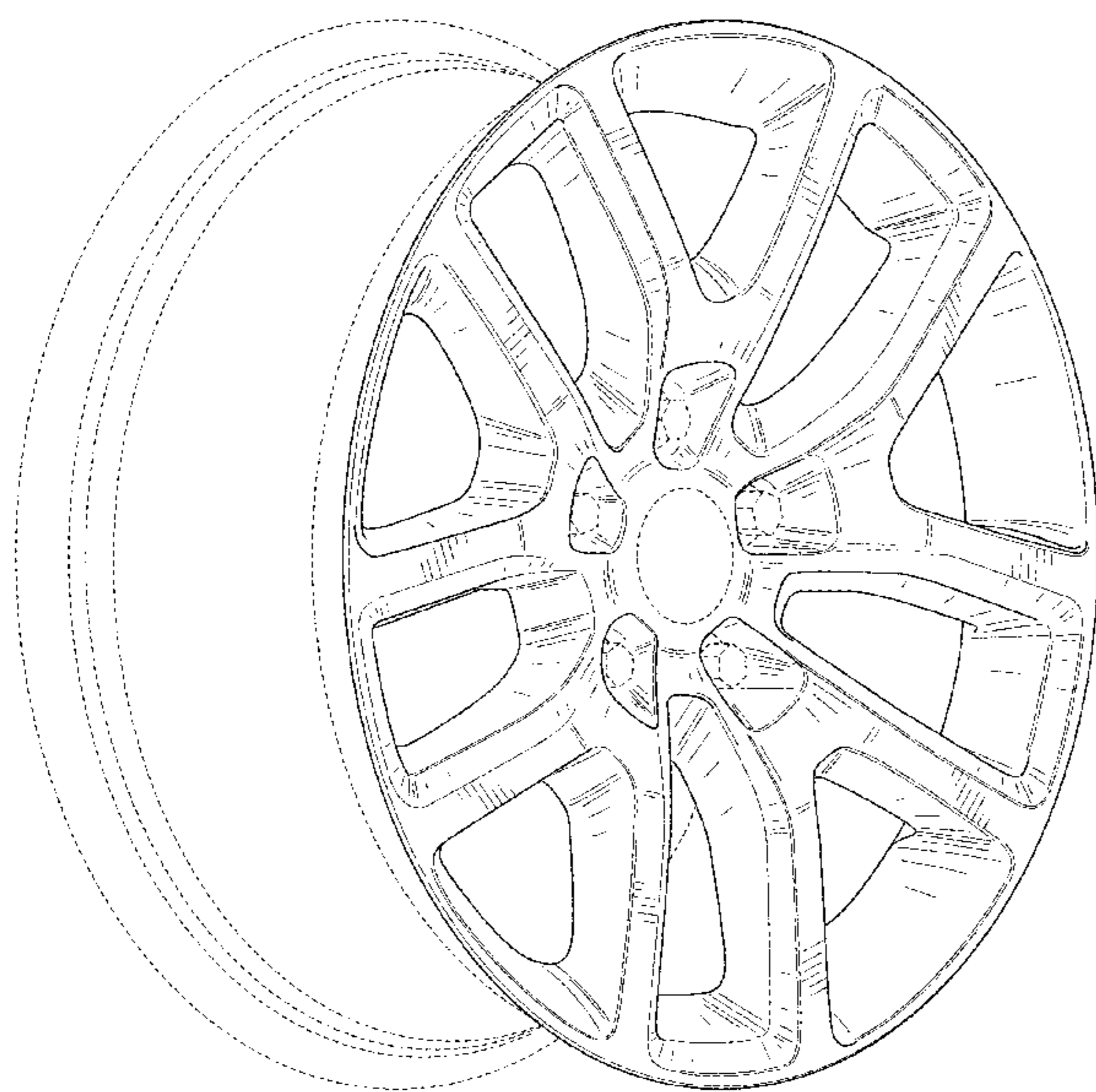
(57) **CLAIM**

The ornamental design for an automobile wheel, as shown and described.

DESCRIPTION

FIG. 1 is a right side perspective view of an automobile wheel showing our new design; FIG. 2 is a front view thereof; and, FIG. 3 is a left side perspective view. It will be understood that the broken lines shown in the drawings illustrate portions of the automobile wheel that form no part of claimed design.

1 Claim, 3 Drawing Sheets



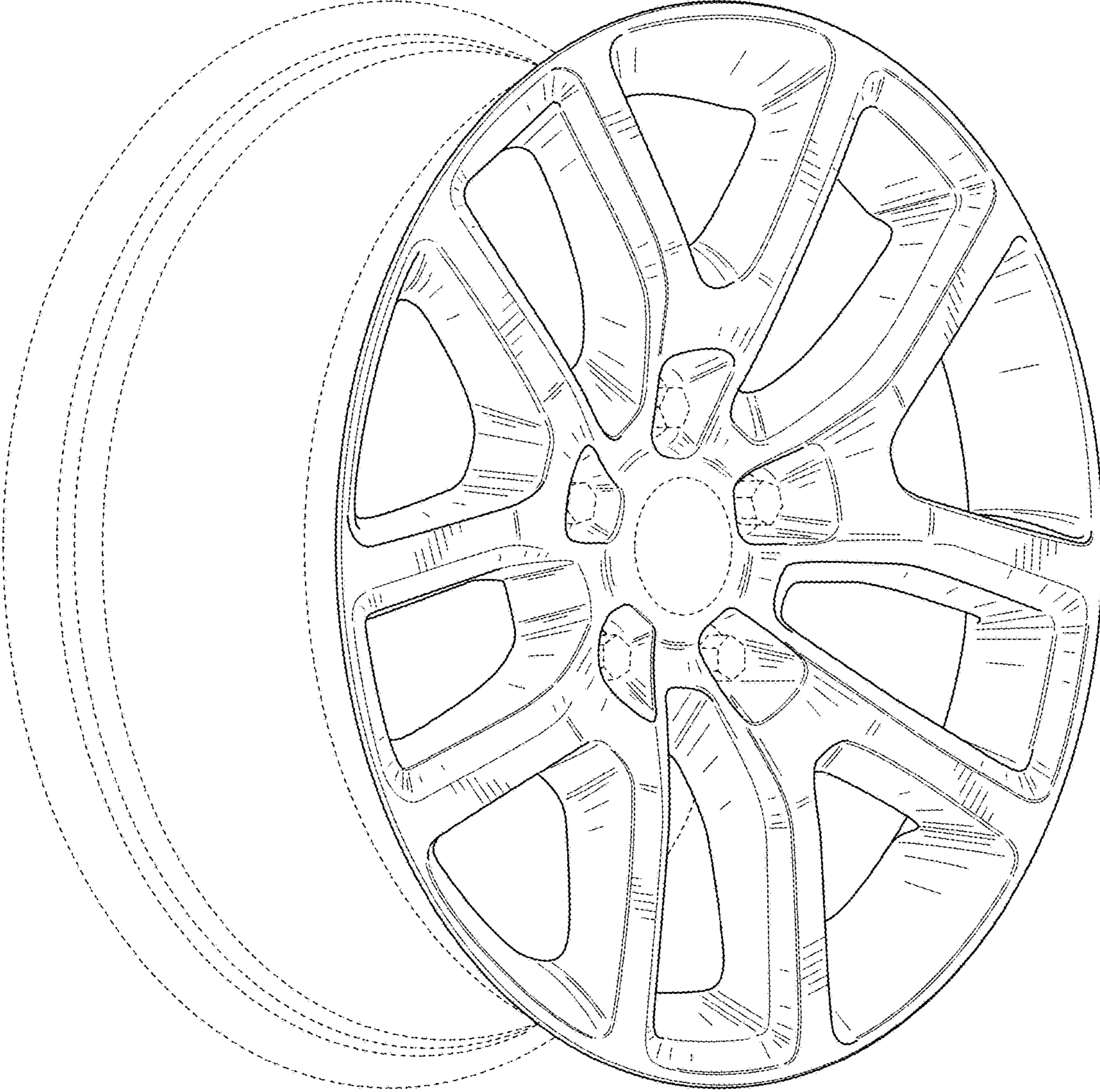


FIG. 1

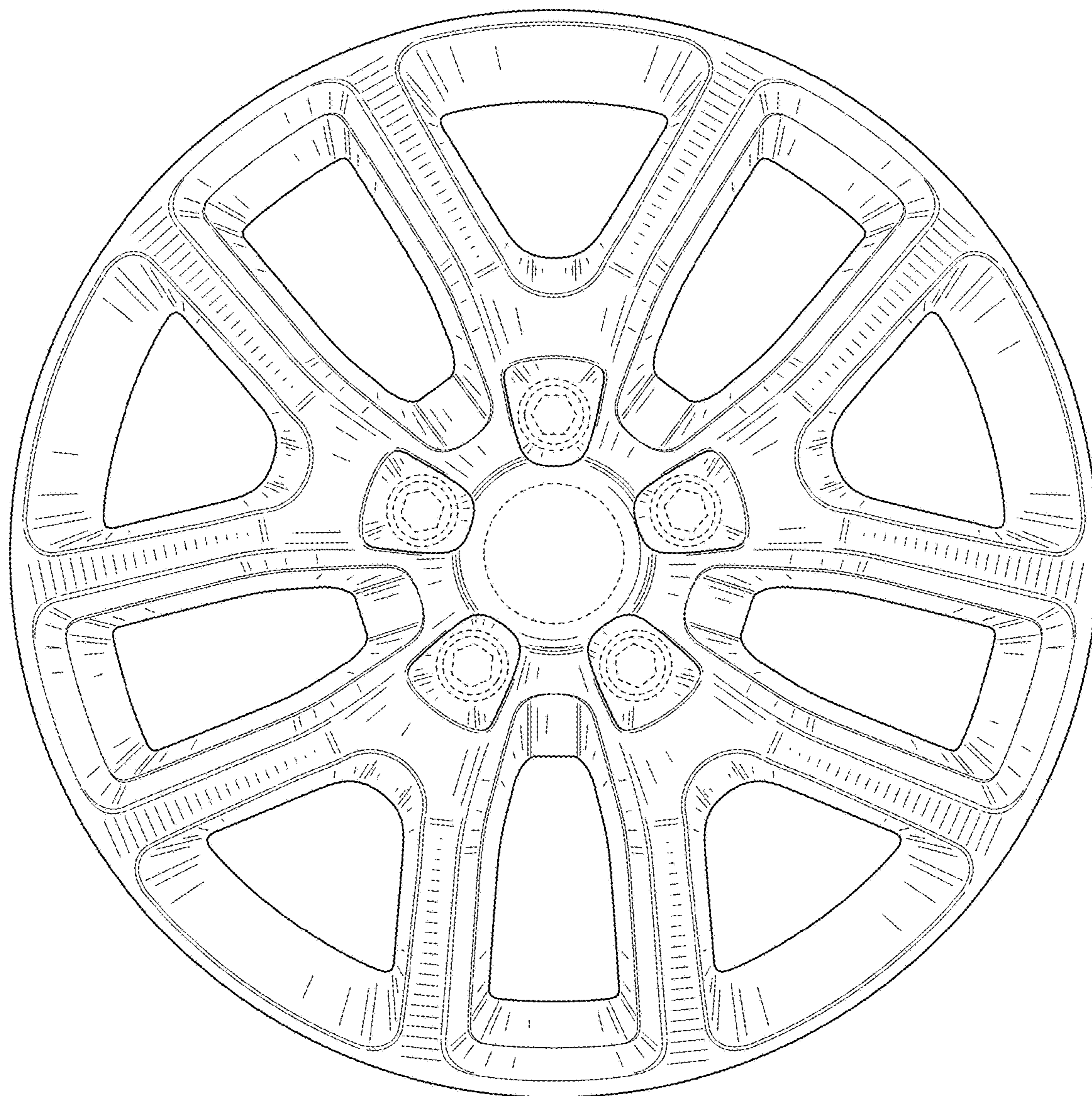


FIG. 2

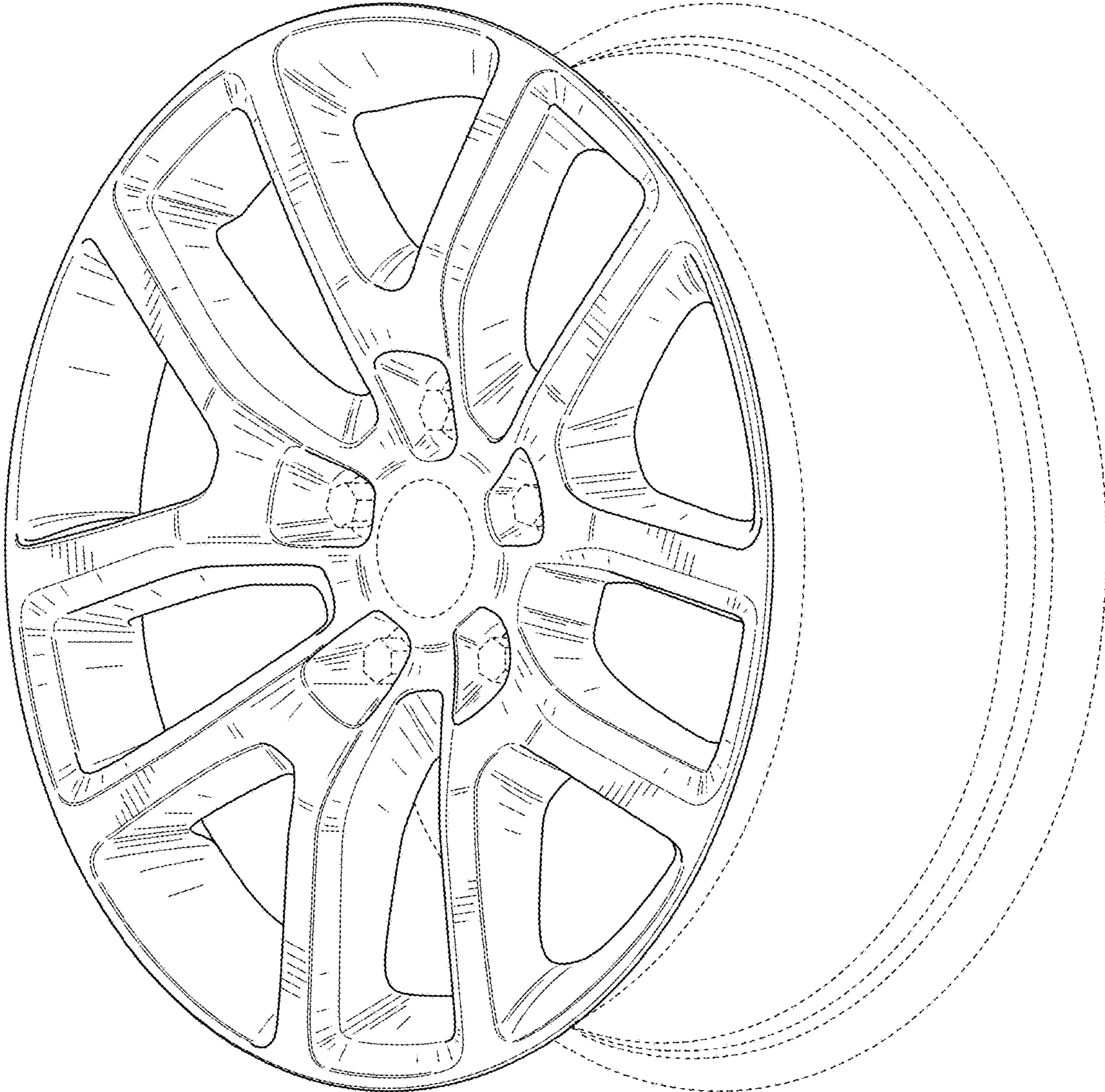


FIG. 3