



US00D827536S

(12) **United States Design Patent** (10) **Patent No.:** **US D827,536 S**  
**Foley** (45) **Date of Patent:** **\*\* Sep. 4, 2018**

(54) **ROUND BAR WITH TWO STEPS**  
(71) Applicant: **Patrick Noel Foley**, Bronx, NY (US)  
(72) Inventor: **Patrick Noel Foley**, Bronx, NY (US)  
(\*\*) Term: **15 Years**  
(21) Appl. No.: **29/580,169**  
(22) Filed: **Oct. 6, 2016**  
(51) **LOC (11) Cl.** ..... **12-16**  
(52) **U.S. Cl.**  
USPC ..... **D12/203**  
(58) **Field of Classification Search**  
USPC ..... D12/400, 199, 161, 162, 203  
CPC .. B60R 3/00; B60R 3/002; B60R 3/02; B60R  
3/005; B60R 3/007; B60D 1/06; B60D  
1/52; H01R 4/20  
See application file for complete search history.

(56) **References Cited**

**U.S. PATENT DOCUMENTS**

2,906,017 A \* 9/1959 Badeau ..... H01R 4/20  
174/90  
D292,904 S \* 11/1987 Bielby ..... D12/203  
5,829,774 A \* 11/1998 Klemp ..... B60D 1/52  
280/507  
6,145,861 A 11/2000 Willis  
D444,754 S \* 7/2001 Storer ..... B60R 3/007  
D12/203  
D463,345 S \* 9/2002 Cipolla ..... D12/162  
6,769,704 B2 8/2004 Cipolla  
D505,901 S \* 6/2005 Wang ..... D12/203  
D511,319 S \* 11/2005 Wang ..... D12/162  
D513,217 S \* 12/2005 Daws ..... D12/203  
D532,354 S 11/2006 Storer  
D634,687 S \* 3/2011 Vukel ..... D12/162  
D665,713 S \* 8/2012 Pochurek ..... D12/203  
8,864,158 B1 \* 10/2014 Perkins ..... B60R 3/002  
280/163  
D723,443 S \* 3/2015 Anderson ..... D12/203

D723,984 S \* 3/2015 Anderson ..... D12/203  
D737,188 S \* 8/2015 Perkins ..... D12/203  
D738,803 S \* 9/2015 Zhu ..... D12/203  
9,487,146 B1 \* 11/2016 Lowell ..... B60R 3/007  
D803,126 S \* 11/2017 Foley ..... D12/203  
D805,986 S \* 12/2017 Chi ..... D12/203  
D809,986 S \* 2/2018 Williams ..... D12/203  
D815,003 S \* 4/2018 MacNeil ..... D12/203  
9,931,987 B2 \* 4/2018 Baeza ..... B60R 3/007  
2003/0011163 A1 \* 1/2003 Coomber ..... B60R 3/002  
280/163  
2003/0011164 A1 \* 1/2003 Cipolla ..... B60R 3/007  
280/164.1  
2005/0212249 A1 9/2005 Lopez  
2008/0018074 A1 \* 1/2008 Steffens ..... B60R 3/00  
280/163

(Continued)

*Primary Examiner* — Karen S Acker  
*Assistant Examiner* — Jerry Shiuan-Hua Hsu  
(74) *Attorney, Agent, or Firm* — Carter, DeLuca, Farrell  
& Schmidt, LLP; George Likourezos, Esq.

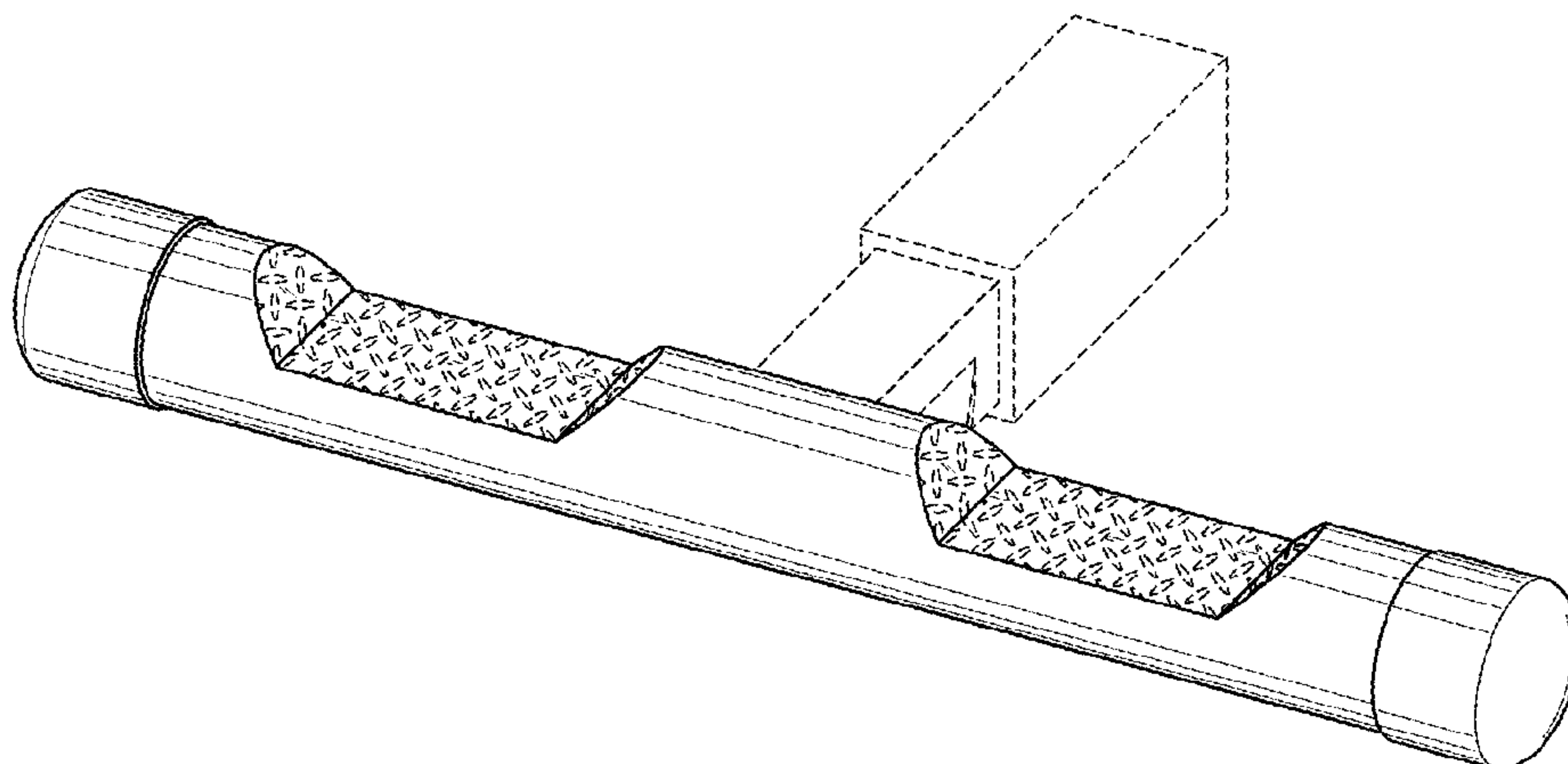
(57) **CLAIM**

The ornamental design for a round bar with two steps, as shown and described.

**DESCRIPTION**

FIG. 1 is a perspective view of a round bar with two steps in accordance with the present design; FIG. 2 is a rear side view thereof; FIG. 3 is a front side view thereof; FIG. 4 is a right side view thereof; FIG. 5 is a left side view thereof; FIG. 6 is a top plan view thereof; and, FIG. 7 is a bottom plan view thereof. The broken lines shown are included for the purpose of illustrating a hitch-mount assembly and ovals on and in proximity to each of the two steps which form no part of the claimed design.

**1 Claim, 3 Drawing Sheets**



(56)

**References Cited**

U.S. PATENT DOCUMENTS

2011/0193310 A1 8/2011 Gansberger  
2012/0228848 A1\* 9/2012 Fichter ..... B60R 3/00  
280/163  
2013/0270791 A1\* 10/2013 Anderson ..... B60R 3/007  
280/163

\* cited by examiner

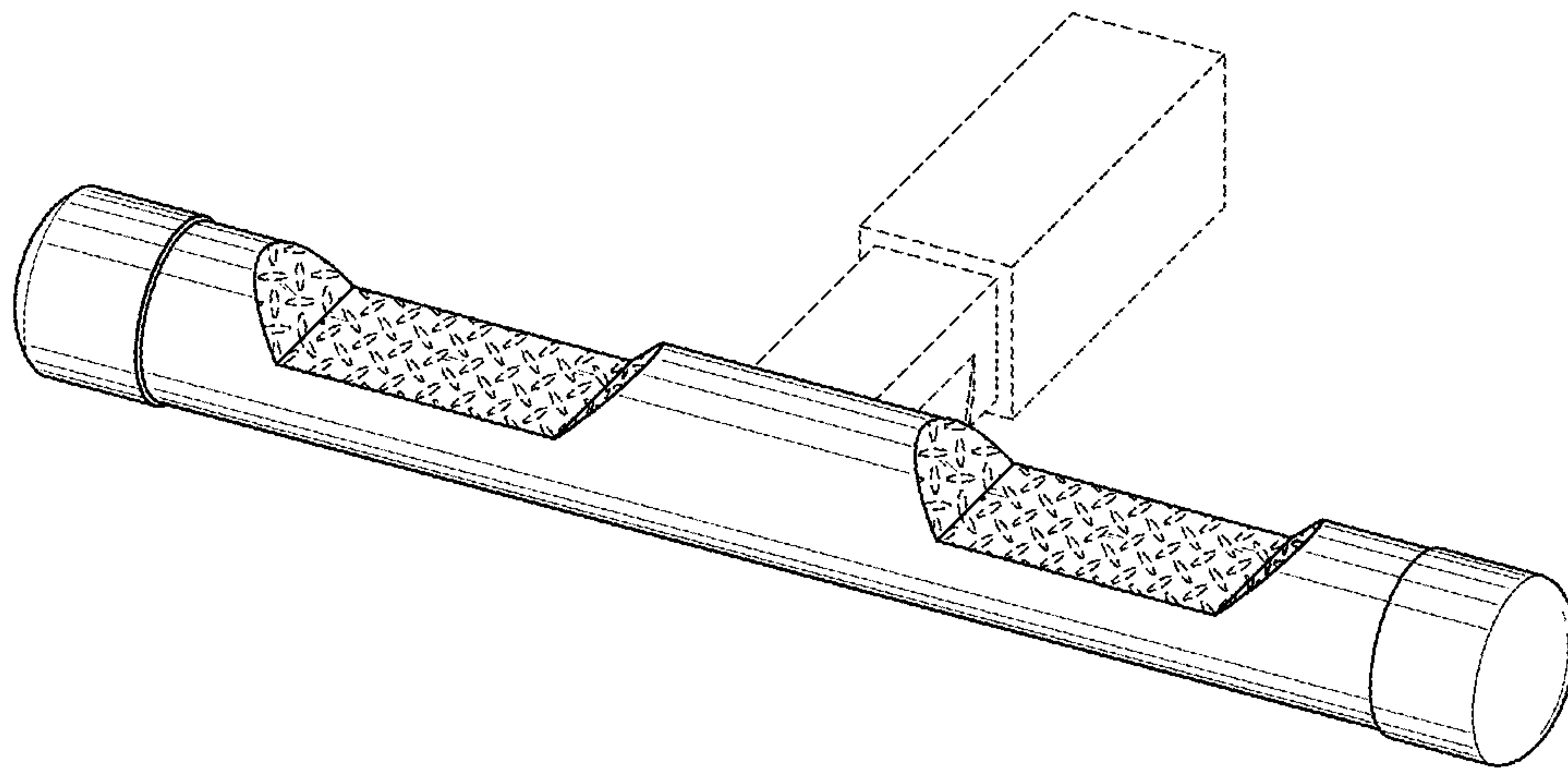
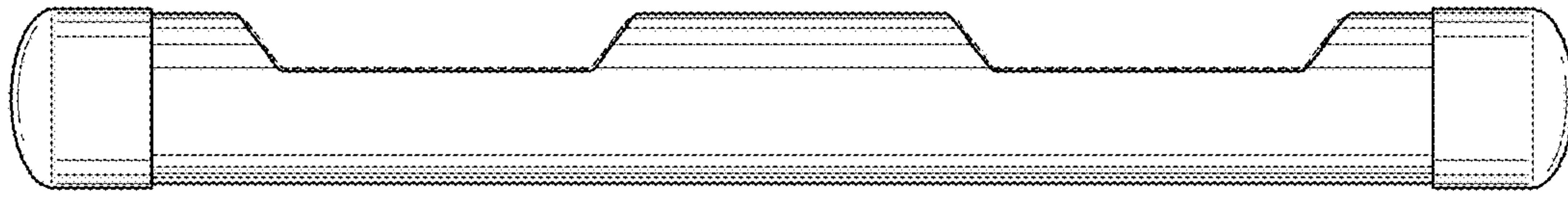
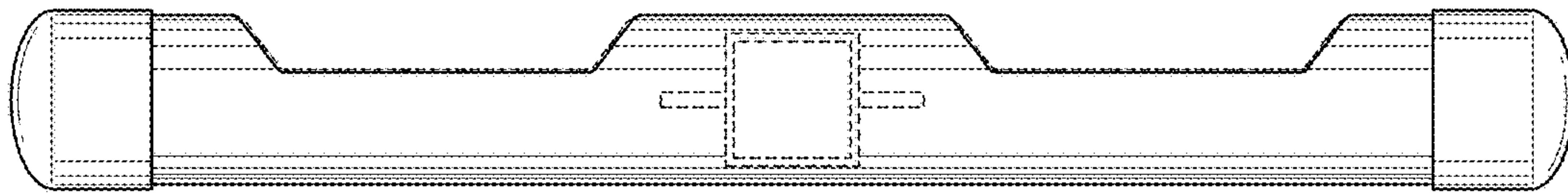


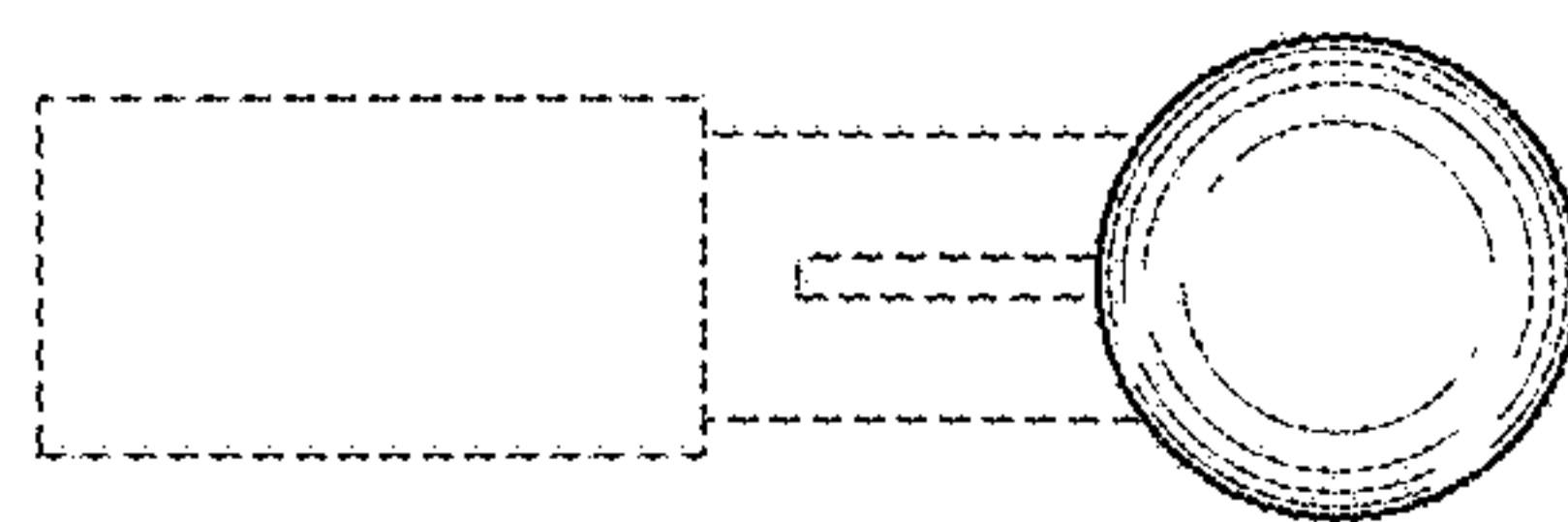
FIG. 1



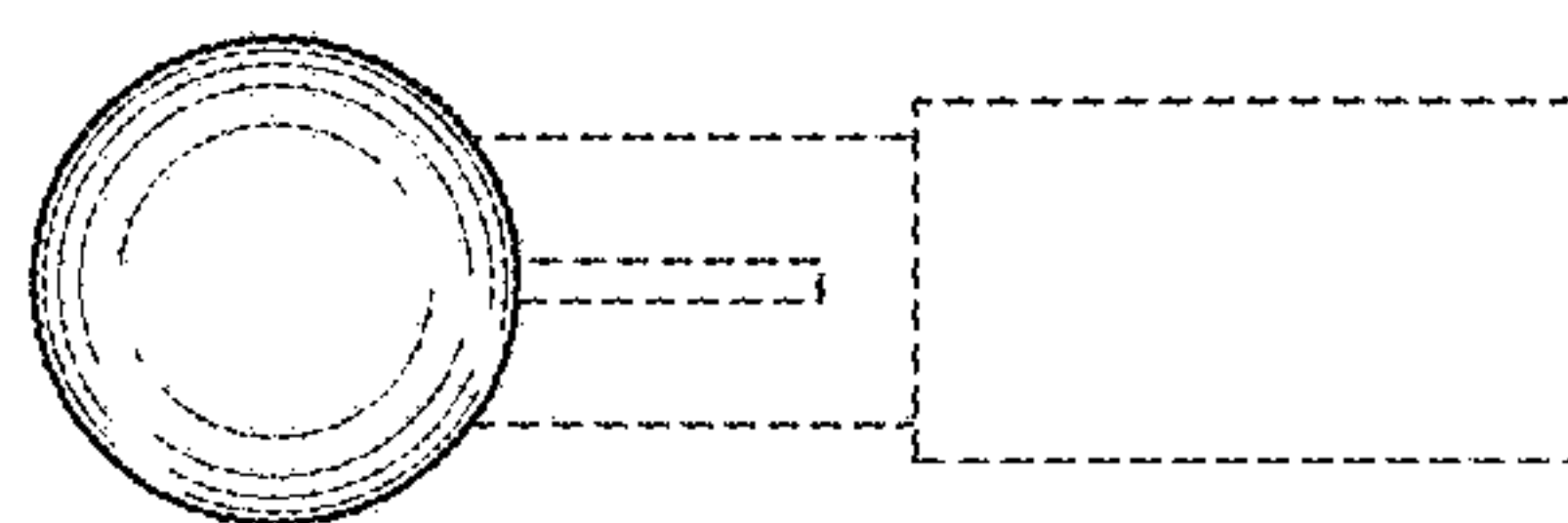
**FIG. 2**



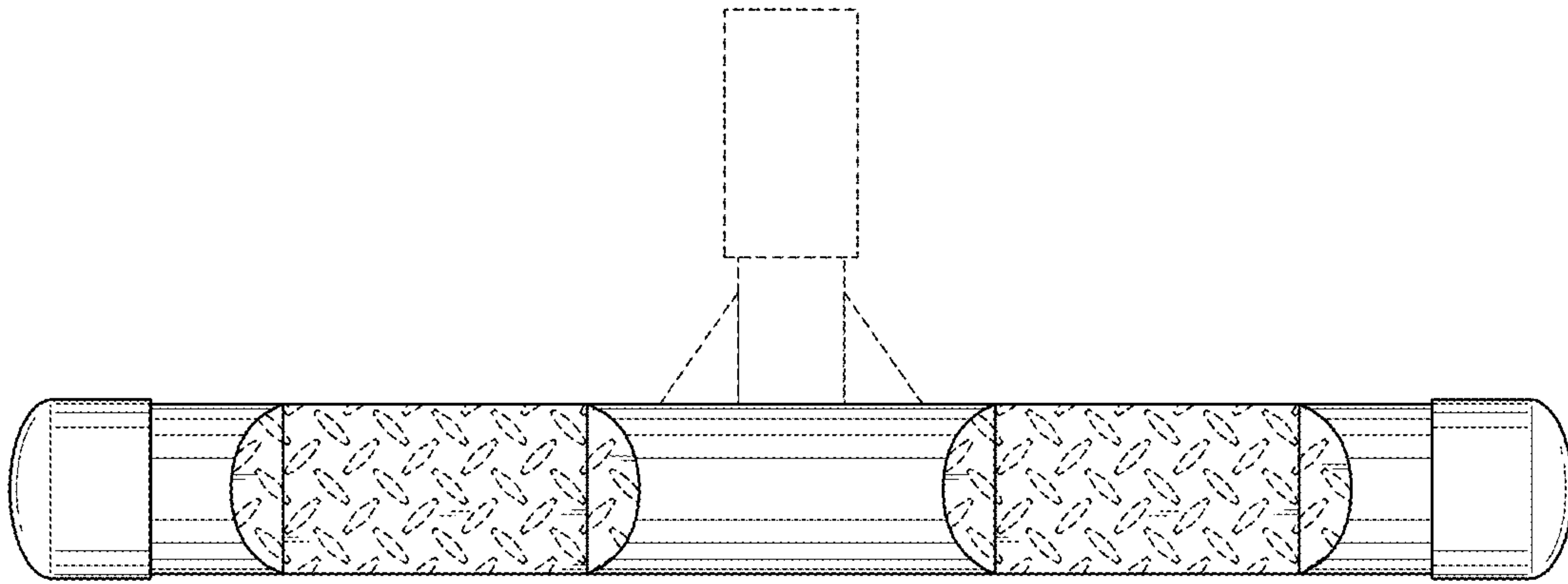
**FIG. 3**



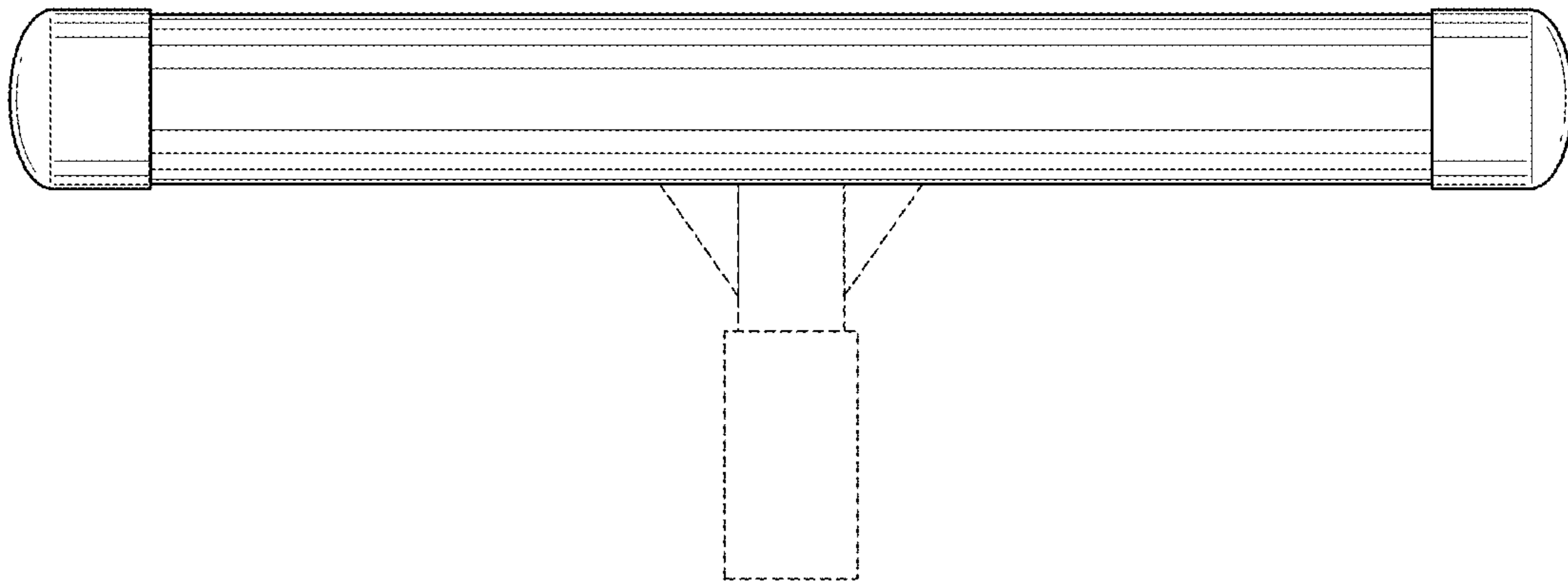
**FIG. 4**



**FIG. 5**



**FIG. 6**



**FIG. 7**