



US00D827533S

(12) **United States Design Patent**
Platto et al.

(10) **Patent No.:** **US D827,533 S**

(45) **Date of Patent:** **** Sep. 4, 2018**

(54) **VEHICLE TAIL GATE**

(71) Applicant: **Ford Global Technologies, LLC**,
Dearborn, MI (US)

(72) Inventors: **Gordon M. Platto**, Troy, MI (US);
Sean W. Tant, Livonia, MI (US);
Anthony Meyer, Ferndale, MI (US)

(73) Assignee: **Ford Global Technologies, LLC**,
Dearborn, MI (US)

(**) Term: **15 Years**

(21) Appl. No.: **29/588,211**

(22) Filed: **Dec. 19, 2016**

(51) **LOC (11) Cl.** **12-16**

(52) **U.S. Cl.**
USPC **D12/196**

(58) **Field of Classification Search**
USPC D12/163-165, 167, 169, 172, 181-184,
D12/196, 400, 202, 190-191, 315,
D12/317-318

CPC .. B62D 33/0273; B62D 25/087; B62D 25/16;
B62D 25/02; B62D 35/007; B62D
35/001; B60J 5/101; B60J 5/10; B60J
5/107; B60J 10/02; B60J 1/04; B60J 1/02
See application file for complete search history.

(56) **References Cited**

U.S. PATENT DOCUMENTS

D517,966 S * 3/2006 Ikuma D12/196
D560,584 S 1/2008 Tant

D721,024 S * 1/2015 Thole D12/196
D736,686 S * 8/2015 Mueller-Stolz D12/196
D763,758 S * 8/2016 Luk D12/196
D764,995 S * 8/2016 Bucher D12/196
D766,795 S * 9/2016 Kim D12/196
D779,406 S * 2/2017 Park D12/196
D784,885 S * 4/2017 Curic D12/196

* cited by examiner

Primary Examiner — Ruth McInroy

(74) *Attorney, Agent, or Firm* — James Dottavio

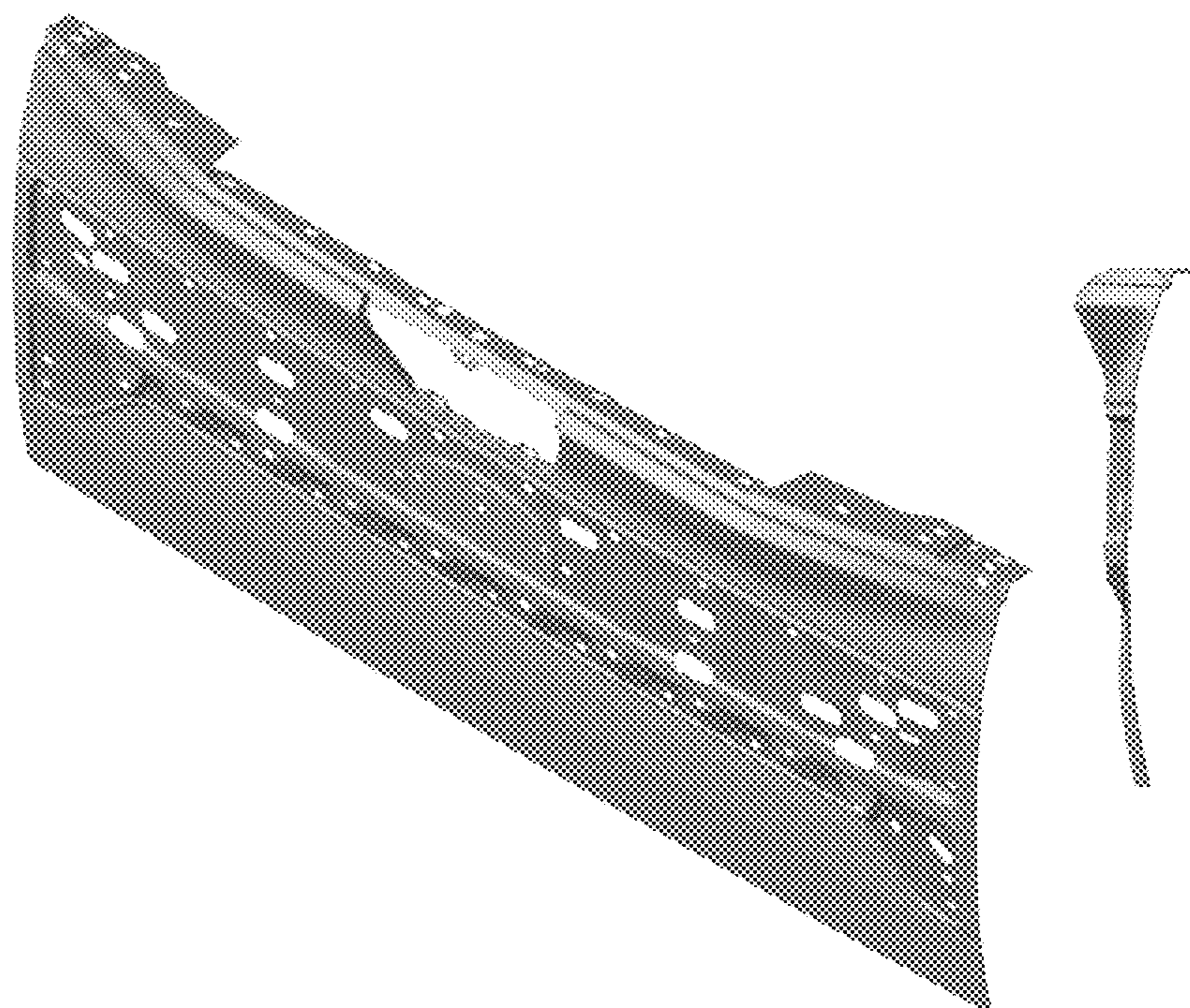
(57) **CLAIM**

The ornamental design for a vehicle tail gate, as shown and described.

DESCRIPTION

FIG. 1 is a top right perspective view of a vehicle tail gate;
FIG. 2 is a top left perspective view thereof;
FIG. 3 is a top rear perspective view thereof;
FIG. 4 is a front elevational view thereof;
FIG. 5 is a rear elevational view thereof;
FIG. 6 is a left side elevational view thereof;
FIG. 7 is a right side elevational view thereof;
FIG. 8 is a top plan view thereof; and,
FIG. 9 is a bottom plan view thereof.

1 Claim, 9 Drawing Sheets



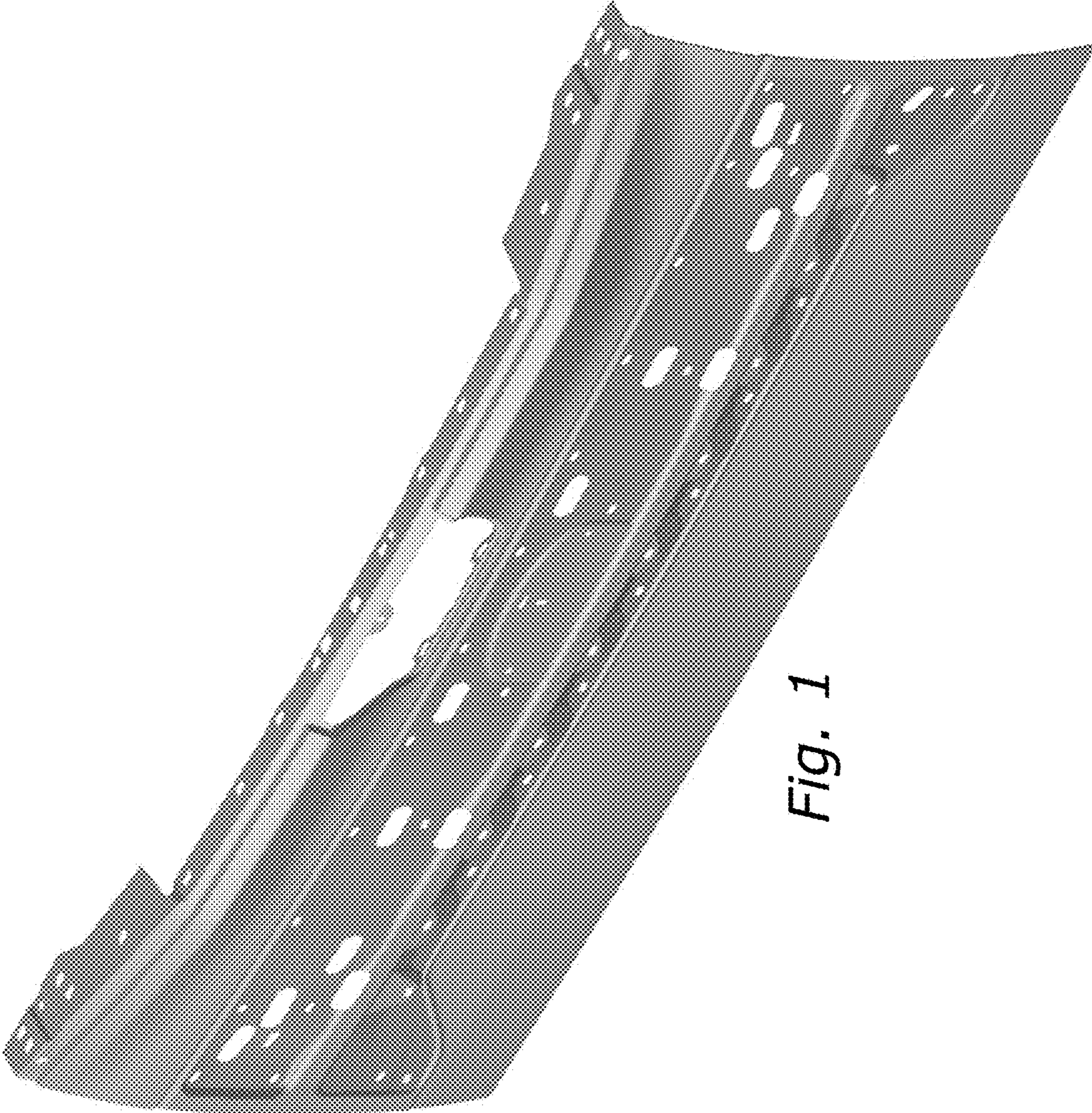


Fig. 1

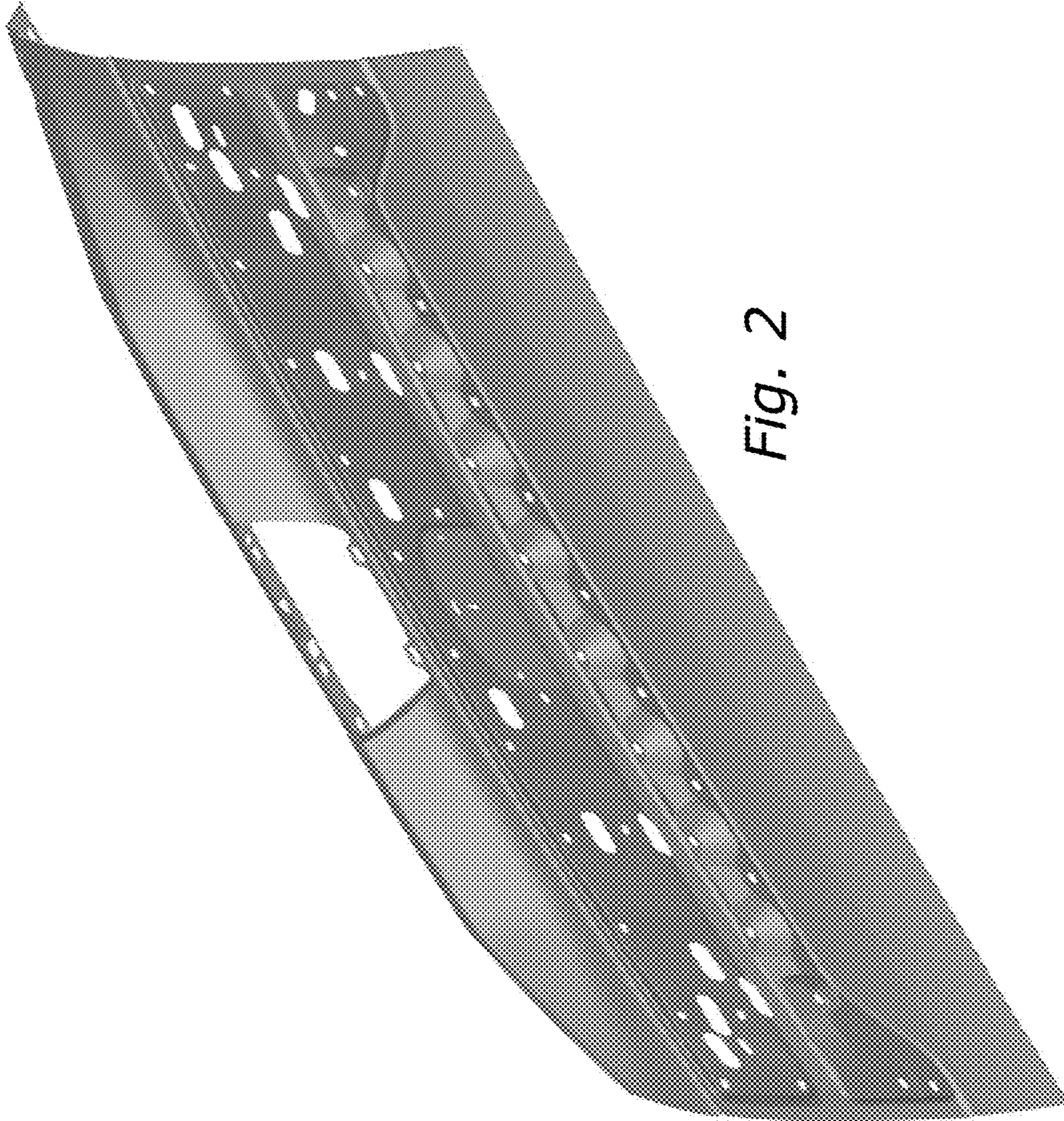


Fig. 2

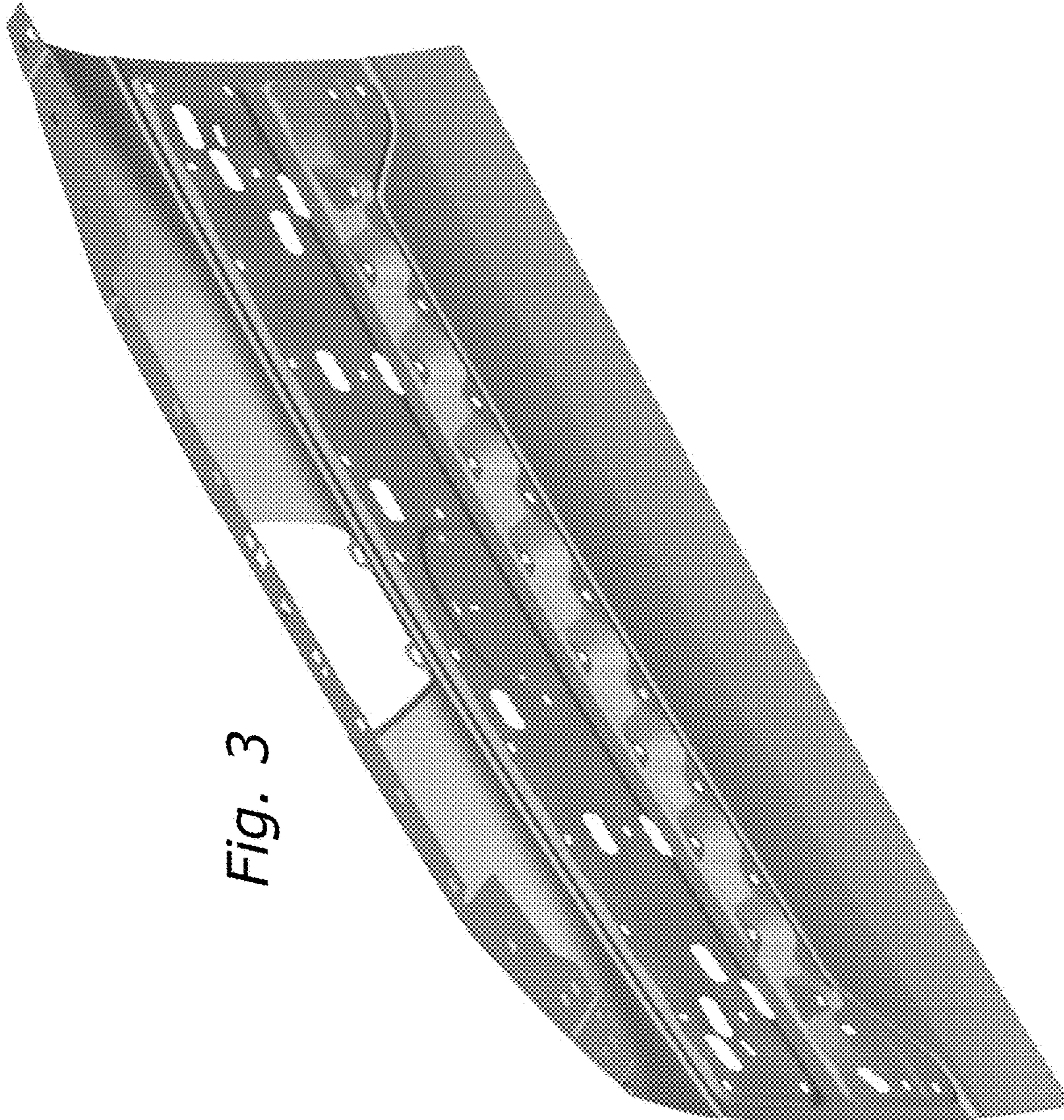


Fig. 3

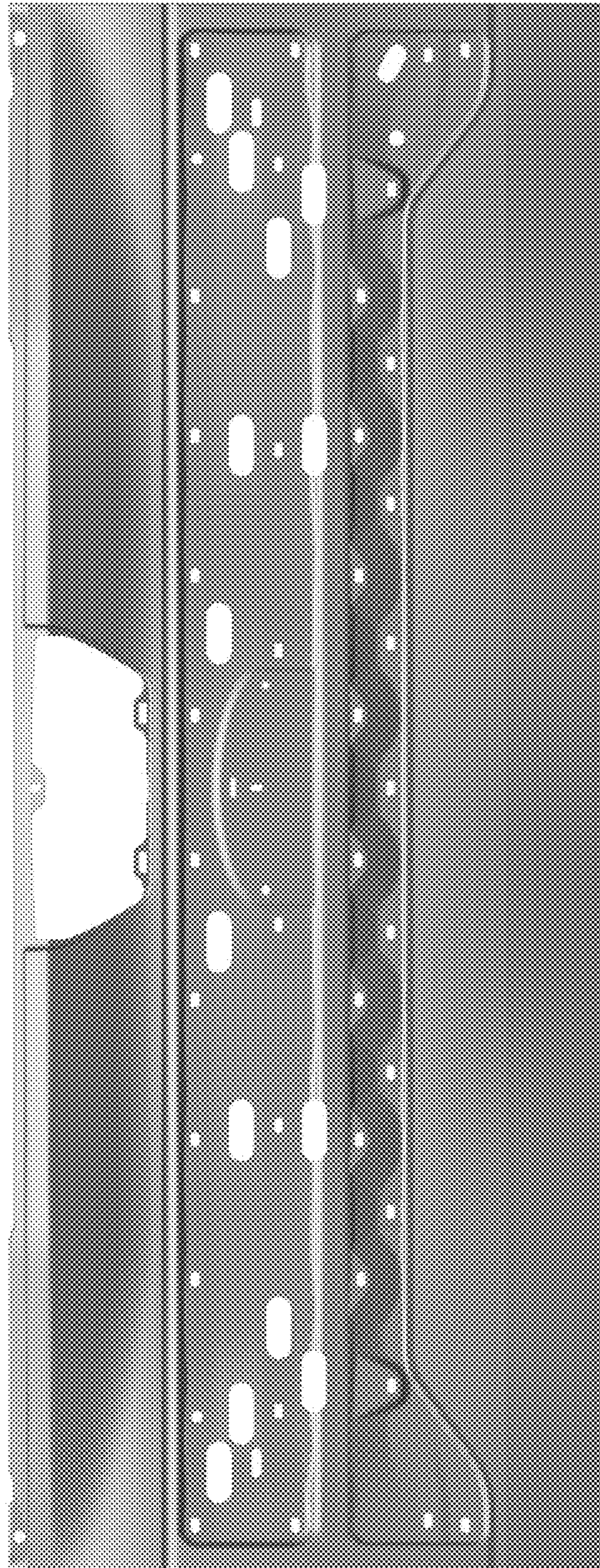


Fig. 4

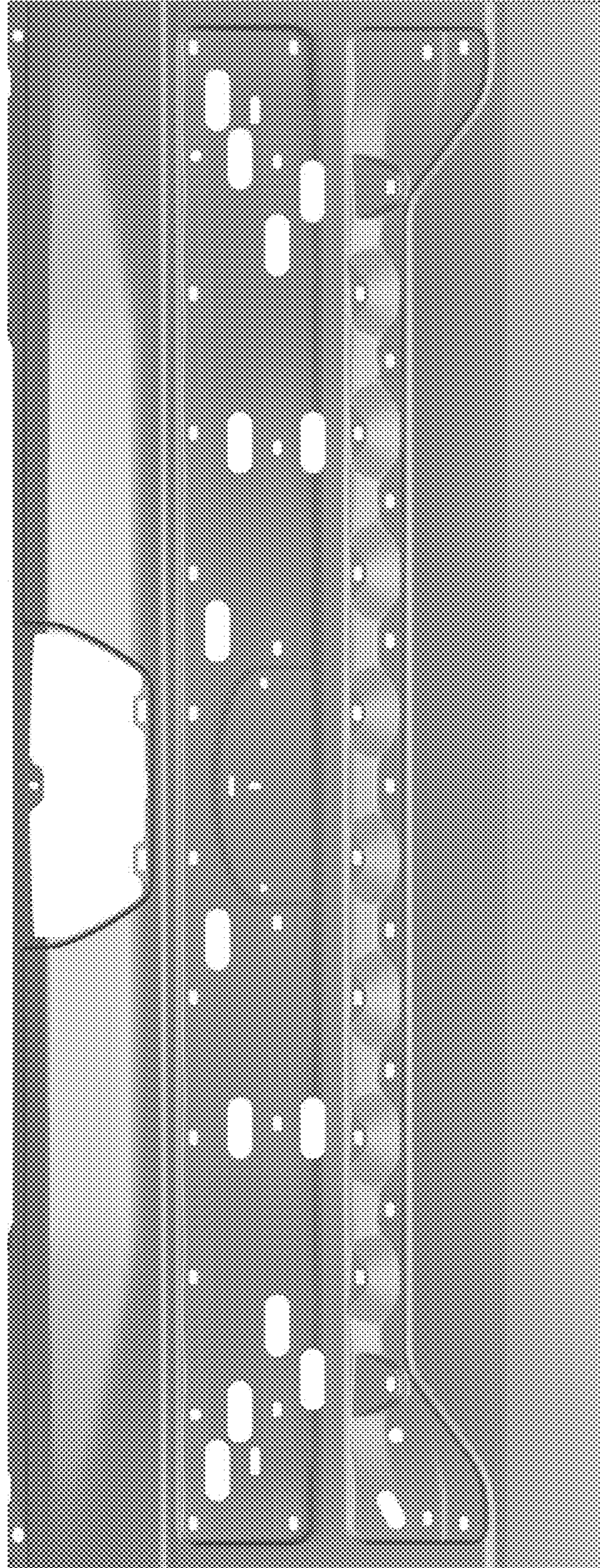


Fig. 5



Fig. 6

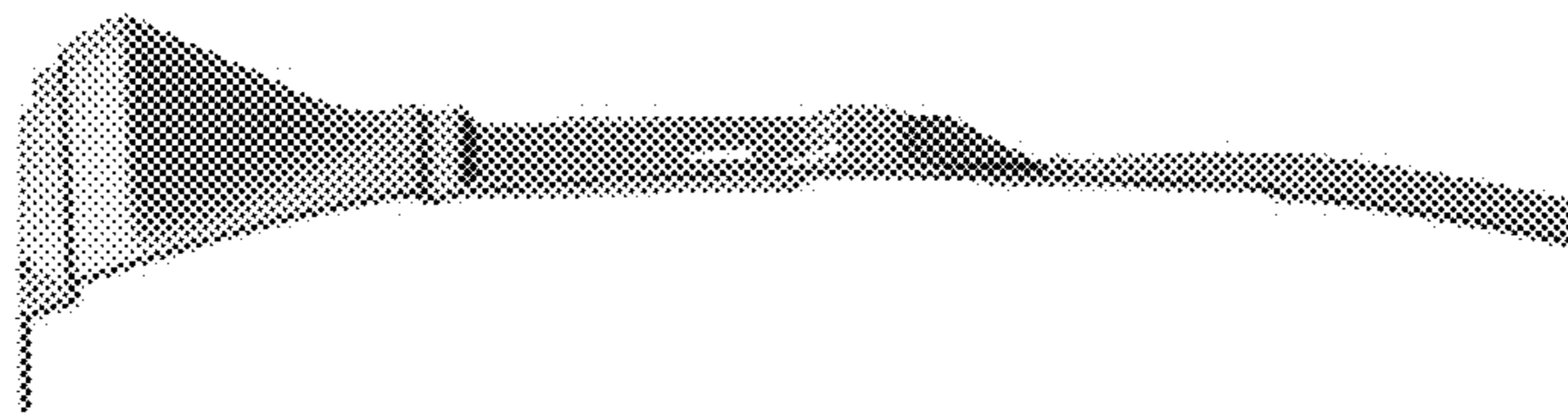


Fig. 7

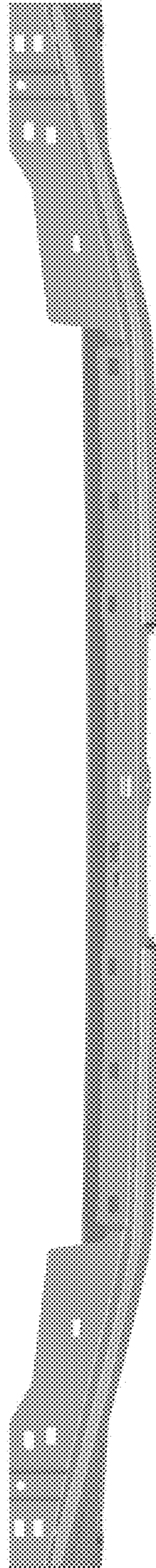


Fig. 8

Fig. 9

