



US00D827528S

(12) **United States Design Patent** (10) **Patent No.:** **US D827,528 S**
Gueler et al. (45) **Date of Patent:** **** Sep. 4, 2018**

(54) **VEHICLE FENDER**
(71) Applicant: **Ford Global Technologies, LLC**,
Dearborn, MI (US)
(72) Inventors: **Murat Gueler**, Cologne (DE); **Thomas Morel**, Dusseldorf (DE); **Jonathan Szczupak**, Troy, MI (US); **George Saridakis**, Edinburgh (GB); **Joel Piaskowski**, Dusseldorf (DE)
(73) Assignee: **Ford Global Technologies, LLC**,
Dearborn, MI (US)

D642,966 S * 8/2011 Messale D12/181
D686,125 S * 7/2013 McCabe D12/184
D695,172 S * 12/2013 Kavaja D12/184
D722,930 S * 2/2015 George D12/184
D746,743 S * 1/2016 Behmer D12/184
D749,478 S * 2/2016 Battams D12/184
D756,278 S * 5/2016 Ino D12/184
D766,149 S * 9/2016 Kim D12/184
D781,192 S * 3/2017 Kozub D12/181
D797,625 S * 9/2017 Perkins D12/184
D806,622 S * 1/2018 Granlund D12/184
2015/0344079 A1* 12/2015 Stojkovic B62D 27/023
296/187.09

(**) Term: **15 Years**
(21) Appl. No.: **29/604,347**
(22) Filed: **May 17, 2017**

* cited by examiner

Primary Examiner — Karen S Acker
Assistant Examiner — Jerry Shiuan-Hua Hsu
(74) *Attorney, Agent, or Firm* — James Dottavio

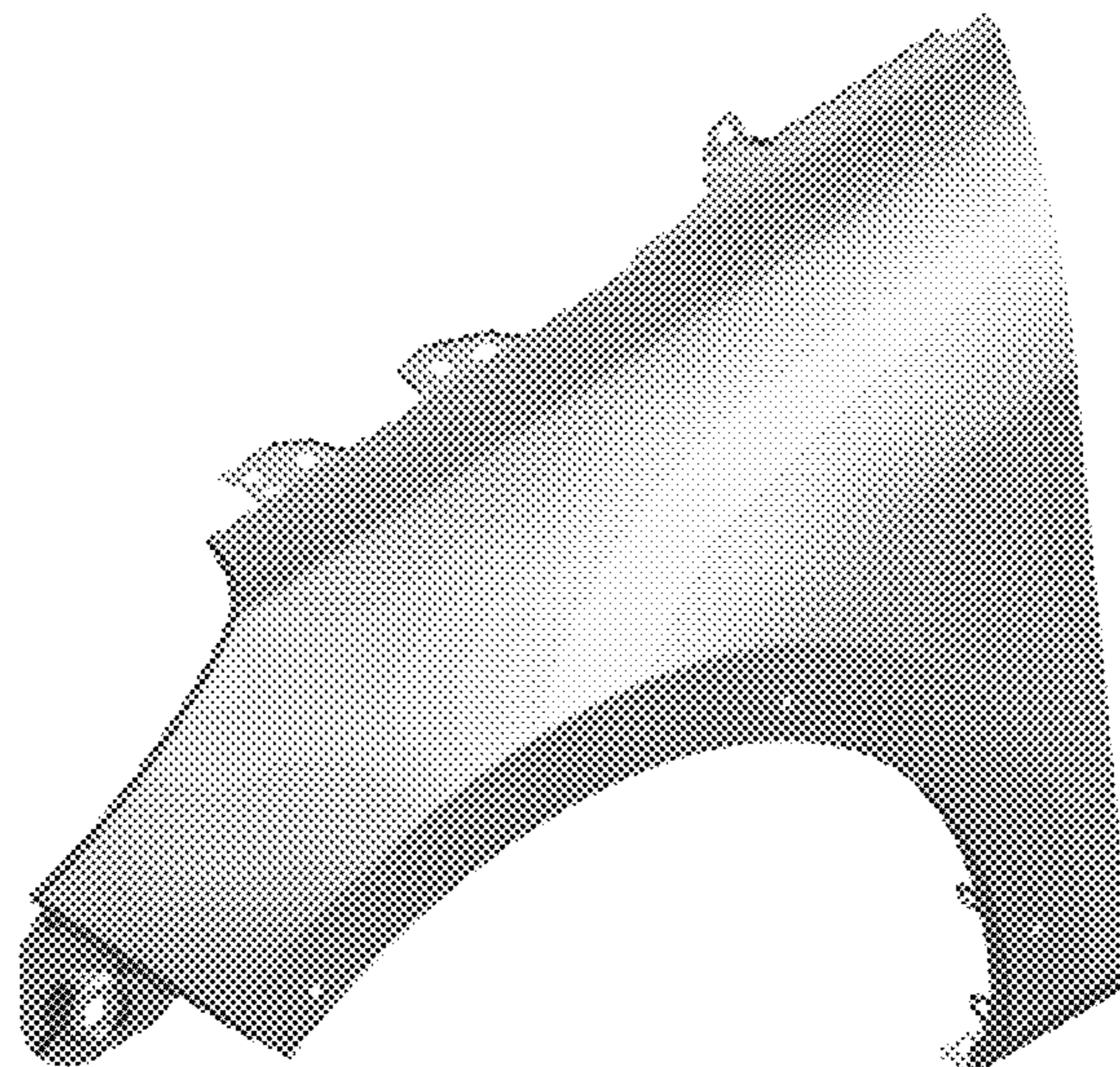
(30) **Foreign Application Priority Data**
Nov. 22, 2016 (DE) 40 2016 101 401
(51) **LOC (11) Cl.** **12-16**
(52) **U.S. Cl.**
USPC **D12/184**
(58) **Field of Classification Search**
USPC D12/181, 90, 86, 82, 221, 196, 190, 184,
D12/177, 175, 99, 97, 96, 93, 95, 91, 12
CPC B62D 25/02; B62D 25/10; B62D 25/16;
B62D 25/18; B62D 25/105; B62D 27/023
See application file for complete search history.

(57) **CLAIM**
The ornamental design for a vehicle fender, as shown.

(56) **References Cited**
U.S. PATENT DOCUMENTS
D580,327 S 11/2008 Lamm
D615,013 S * 5/2010 Lamm D12/181

DESCRIPTION
FIG. 1 is a top, front and left side perspective view of a vehicle fender, showing our new design;
FIG. 2 is a top, rear and left side perspective view thereof;
FIG. 3 is a top and rear side perspective view thereof;
FIG. 4 is a front elevational view thereof;
FIG. 5 is a rear elevational view thereof;
FIG. 6 is a left side elevational view thereof;
FIG. 7 is a right side elevational view thereof;
FIG. 8 is a top plan view thereof; and,
FIG. 9 is a bottom plan view thereof.

1 Claim, 9 Drawing Sheets



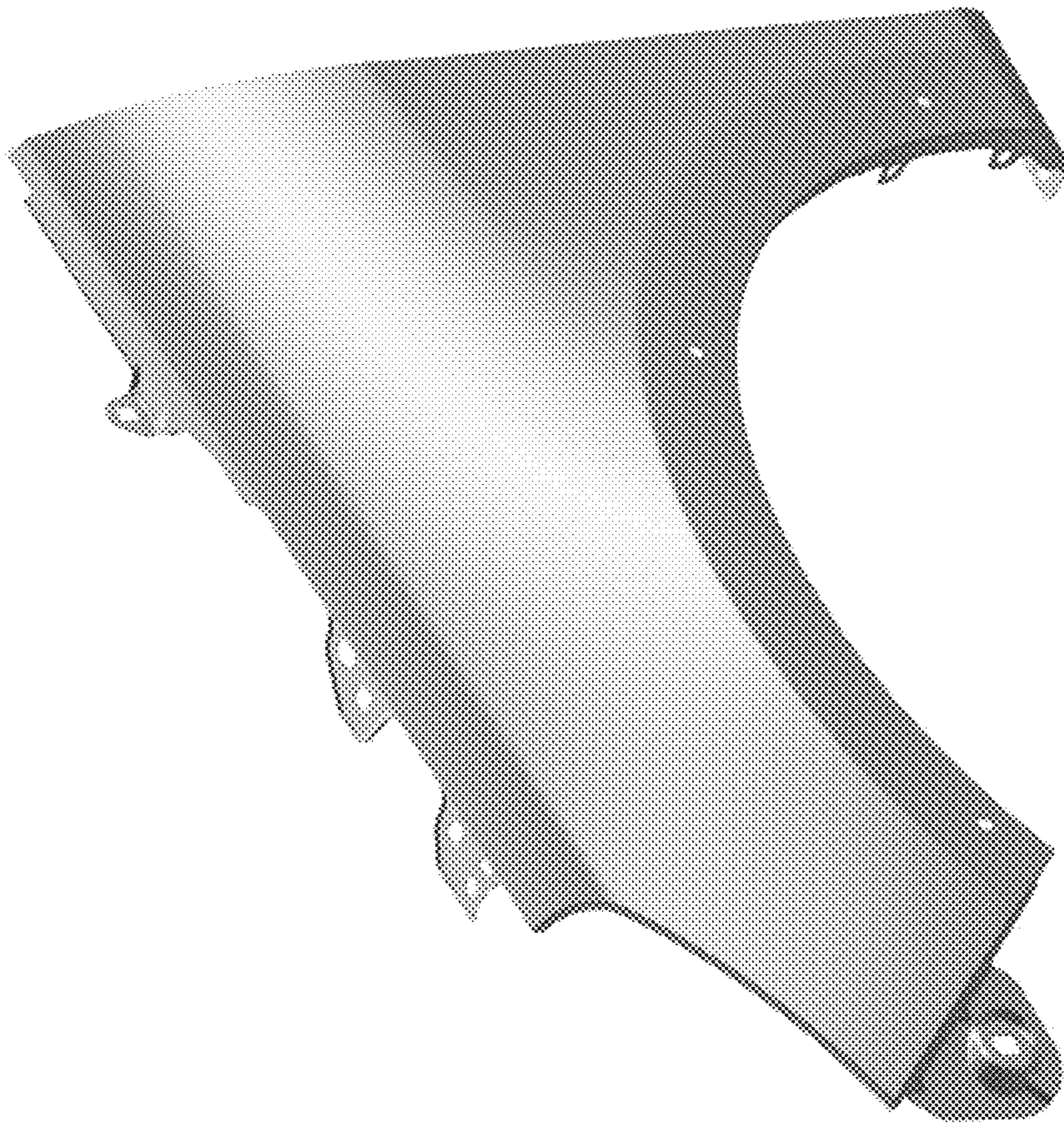


Figure 1

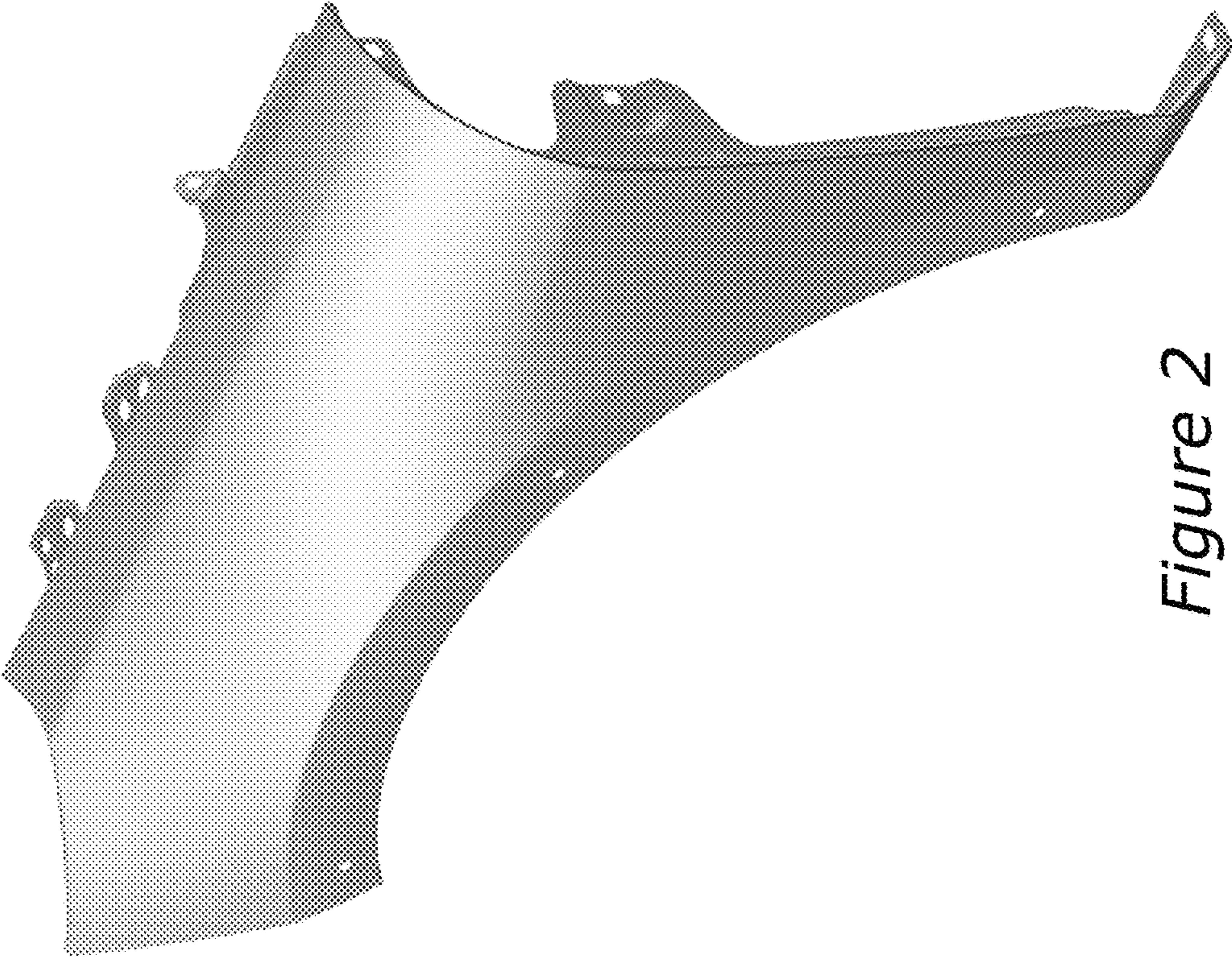


Figure 2

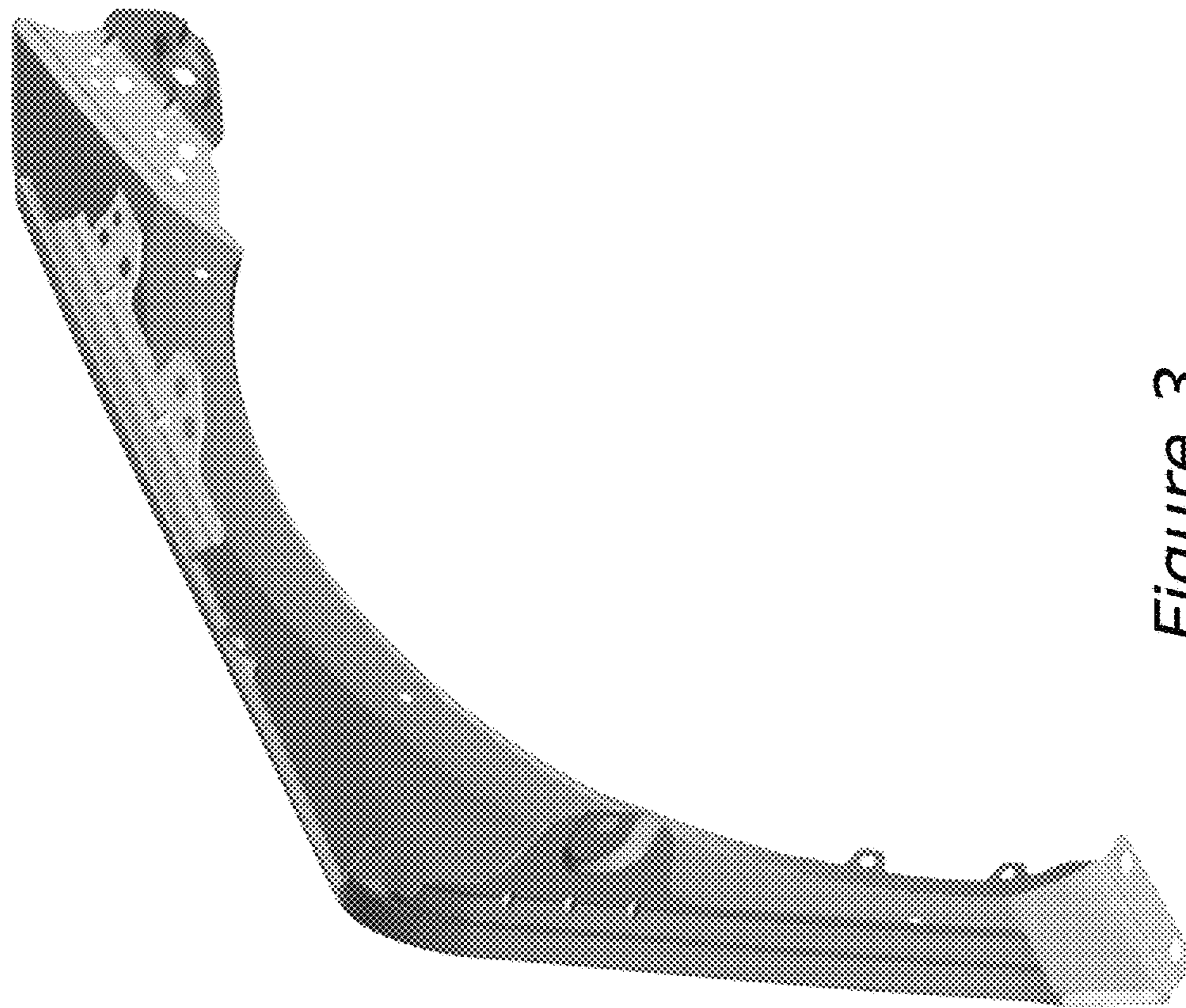
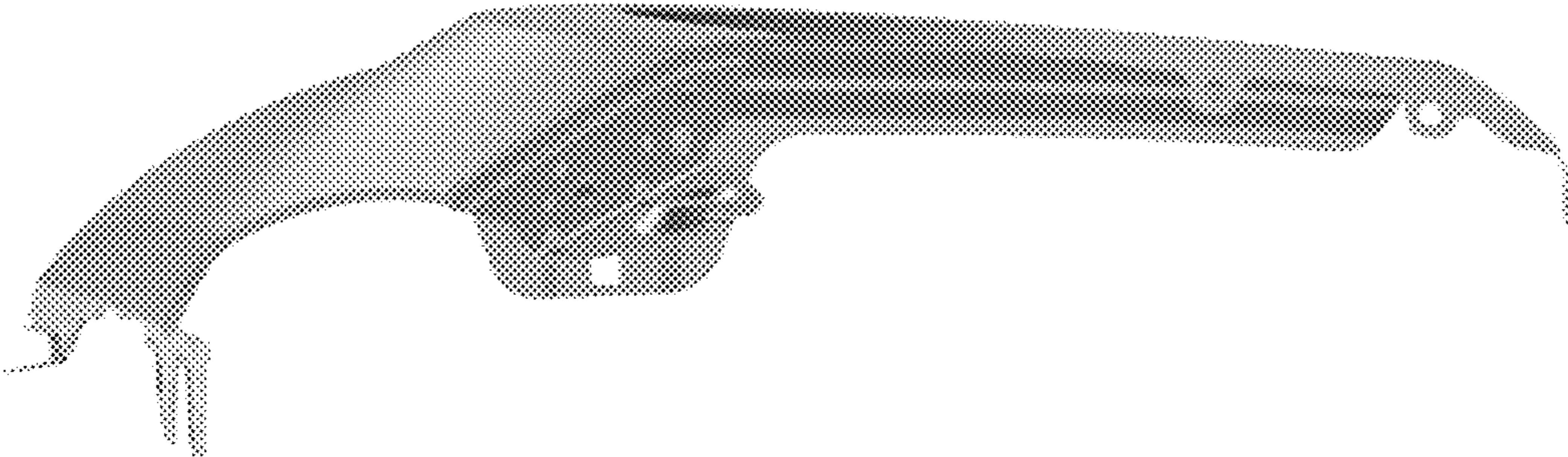


Figure 3

Figure 4



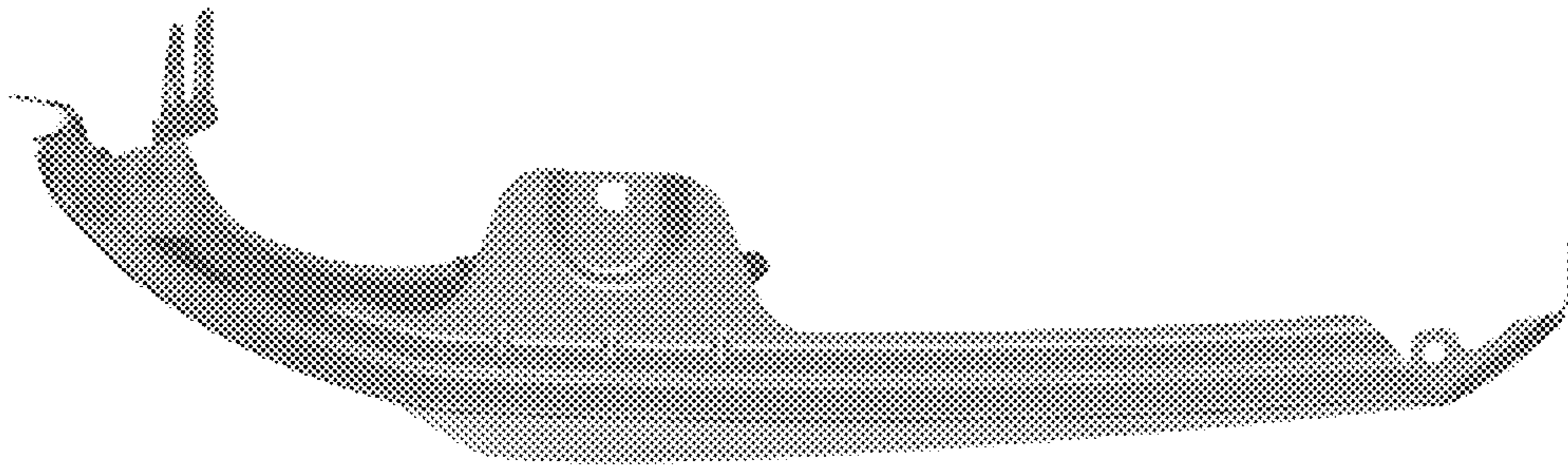


Figure 5

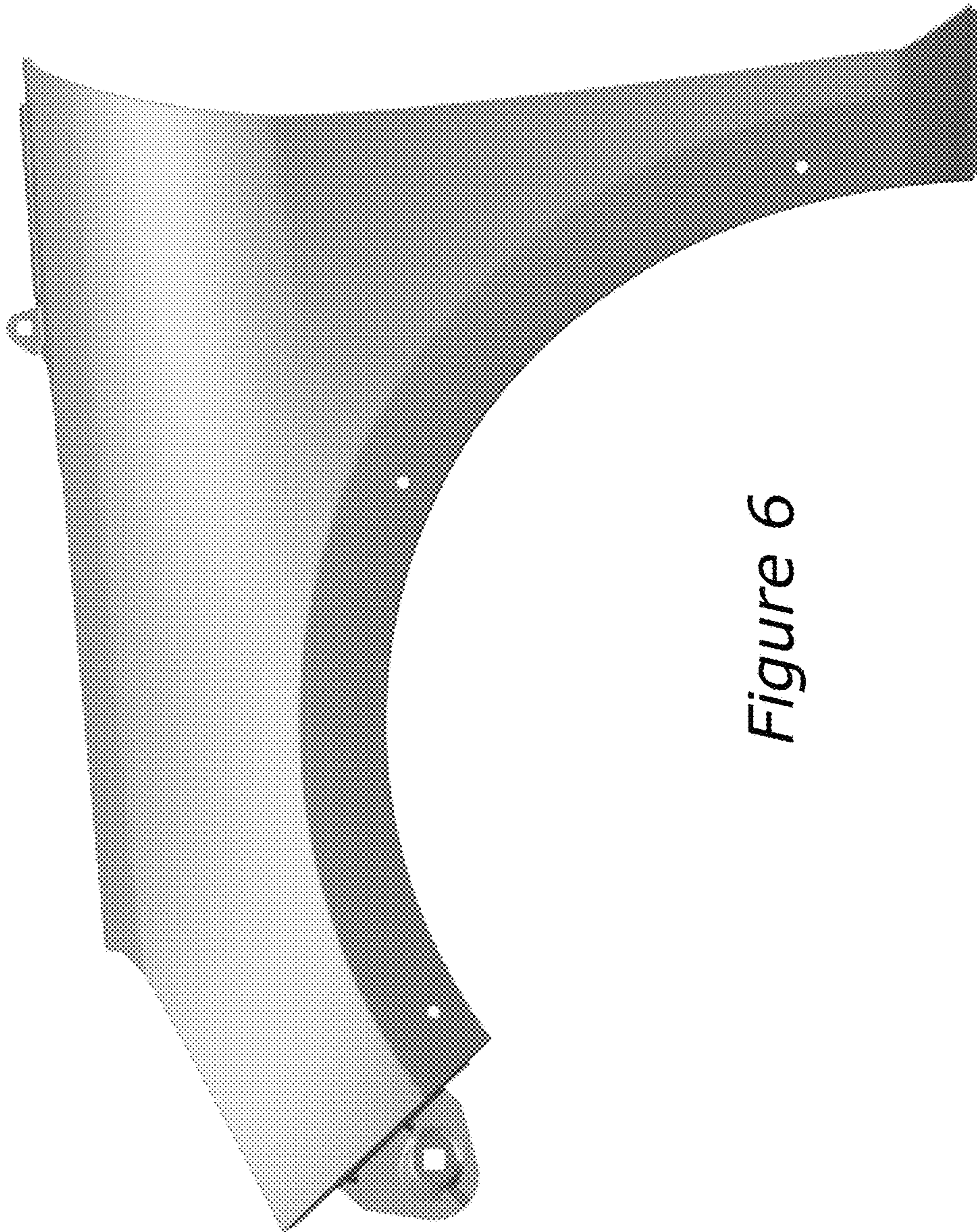


Figure 6



Figure 7

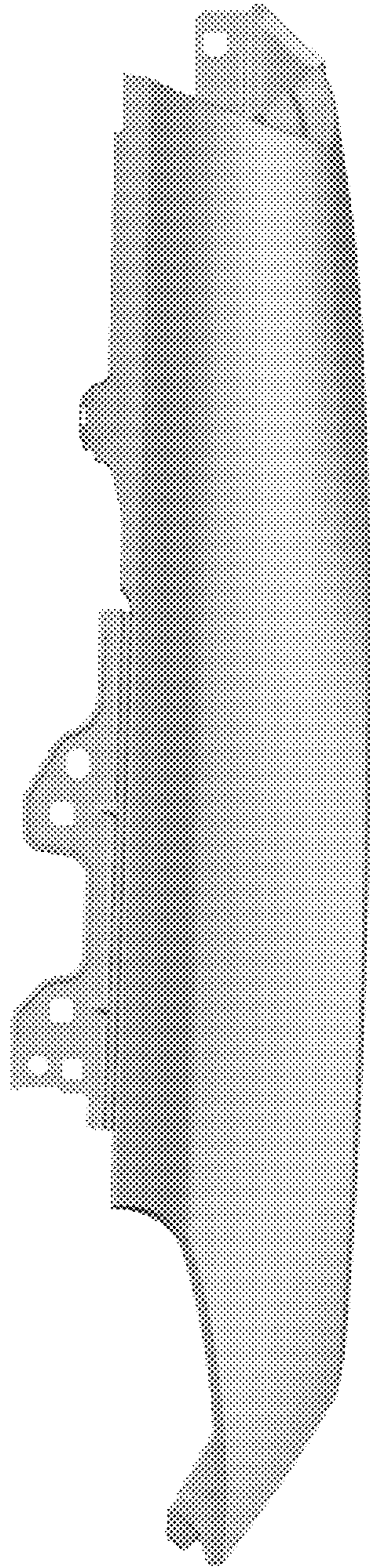


Figure 8

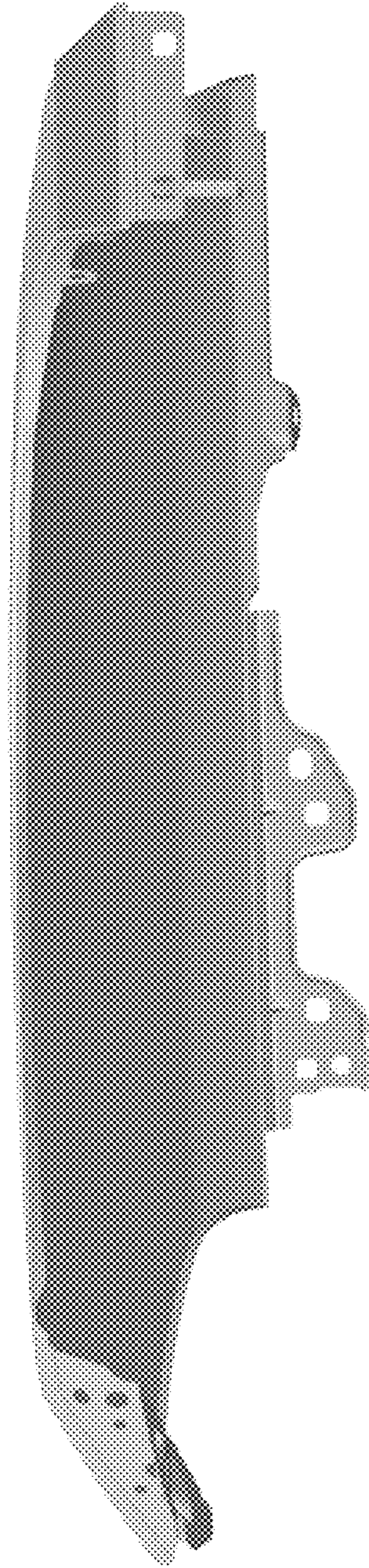


Figure 9