



US00D827526S

(12) **United States Design Patent** (10) **Patent No.:** **US D827,526 S**  
**Gresens et al.** (45) **Date of Patent:** **\*\* Sep. 4, 2018**

(54) **VEHICLE WINDSHIELD**

(75) Inventors: **Richard Gresens**, Grosse Pointe Farms, MI (US); **James Grake**, Royal Oak, MI (US); **Shawn Wehrly**, Royal Oak, MI (US)

(73) Assignee: **Ford Global Technologies, LLC**, Dearborn, MI (US)

(\*\*) Term: **14 Years**

(21) Appl. No.: **29/249,189**

(22) Filed: **Sep. 26, 2006**

(51) **LOC (11) Cl.** ..... **12-16**

(52) **U.S. Cl.**  
USPC ..... **D12/182**

(58) **Field of Classification Search**  
USPC ..... D12/182-183, 317; 219/203; 296/84.1, 296/96.19, 97.1, 95.1; 160/370.22; 428/155, 172  
CPC ..... H05B 3/84; H05B 3/86; B60J 1/00; B60J 1/02; B60J 1/002; B60J 1/008; B60J 3/007; B32B 3/00  
See application file for complete search history.

(56) **References Cited**

**U.S. PATENT DOCUMENTS**

D55,444	S	*	6/1920	Tew	.....	D12/182
3,338,293	A	*	8/1967	Hohmann	.....	160/370.21
3,810,180	A	*	5/1974	Kunert et al.	.....	343/713
D251,724	S	*	5/1979	Karpowicz	.....	D12/401
D312,440	S	*	11/1990	Svensson	.....	D12/182
4,993,774	A	*	2/1991	Greenhalgh et al.	.....	296/201
D373,979	S	*	9/1996	Starr et al.	.....	D12/98
5,879,044	A	*	3/1999	Stufano	.....	296/95.1
D453,130	S	*	1/2002	Armstrong	.....	D12/182
D470,805	S	*	2/2003	Criger	.....	D12/182
D522,941	S	*	6/2006	Metros et al.	.....	D12/182
D539,190	S	*	3/2007	Brown et al.	.....	D12/91
2003/0227190	A1	*	12/2003	Okamoto et al.	.....	296/84.1

**OTHER PUBLICATIONS**

Ford, Concept Fairlane, Detroit 2005.  
Ford, Concept 427 V10, Detroit 2003.  
Ford, Freestyle Limited, Chicago 2004.  
Ford, Fairlane Concept, Autoshow Detroit 2005.  
Ford banks on 'people movers' Sep. 12, 2006 •• 610 words •• ID: det26439772.

\* cited by examiner

*Primary Examiner* — Abraham Bahta

(74) *Attorney, Agent, or Firm* — Brooks Kushman P.C.

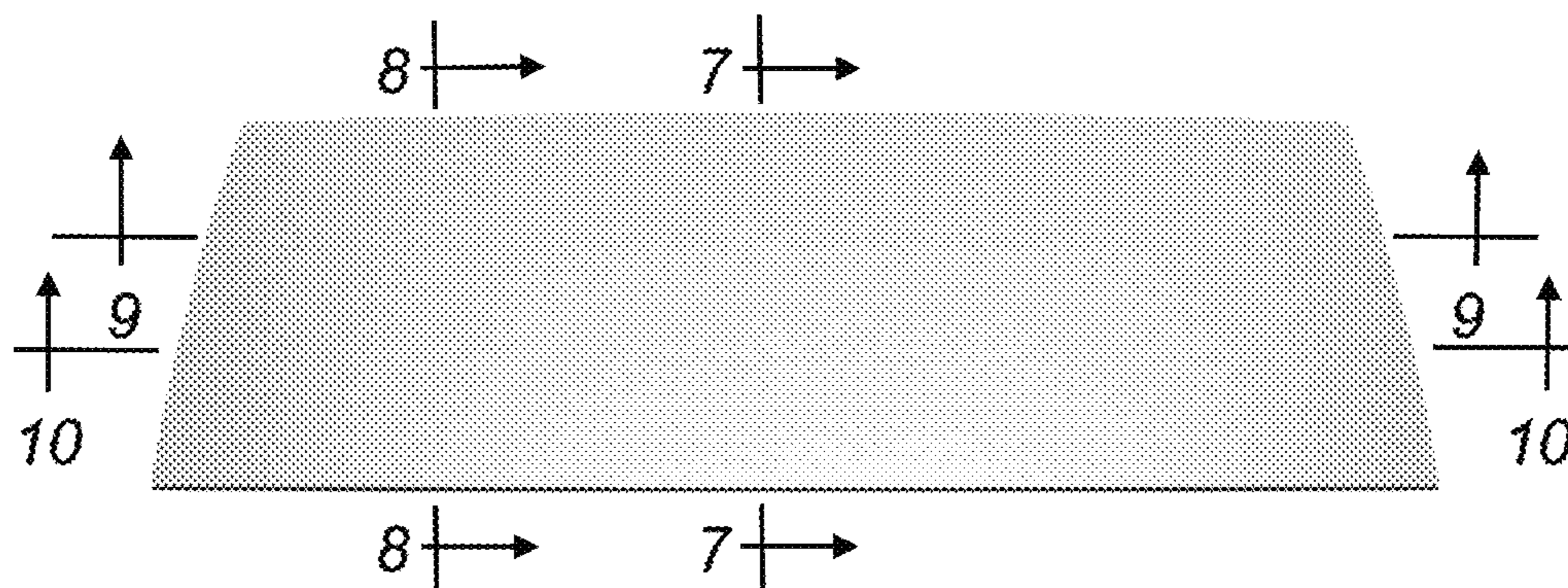
(57) **CLAIM**

The ornamental design for a vehicle windshield, as shown and described.

**DESCRIPTION**

FIG. 1 is a front elevational view of the vehicle windshield showing our design;  
FIG. 2 is a detailed elevational view thereof;  
FIG. 3 is a right side elevational view thereof;  
FIG. 4 is a left side elevational view thereof;  
FIG. 5 is a top-down plan view thereof;  
FIG. 6 is bottom-up plan view thereof;  
FIG. 7 is cross-sectional view taken along the lines 7-7 in FIG. 1;  
FIG. 8 is right of center sectional view taken along the lines 8-8 in FIG. 1, a left of center sectional view is a mirror image of FIG. 8 and is not shown;  
FIG. 9 is cross-sectional view taken along the lines 9-9 in FIG. 1;  
FIG. 10 is cross-sectional view taken along the lines 10-10 in FIG. 1; and,  
FIG. 11 is another detailed elevational view of the vehicle windshield (as viewed from the rear of the vehicle).

**1 Claim, 8 Drawing Sheets**



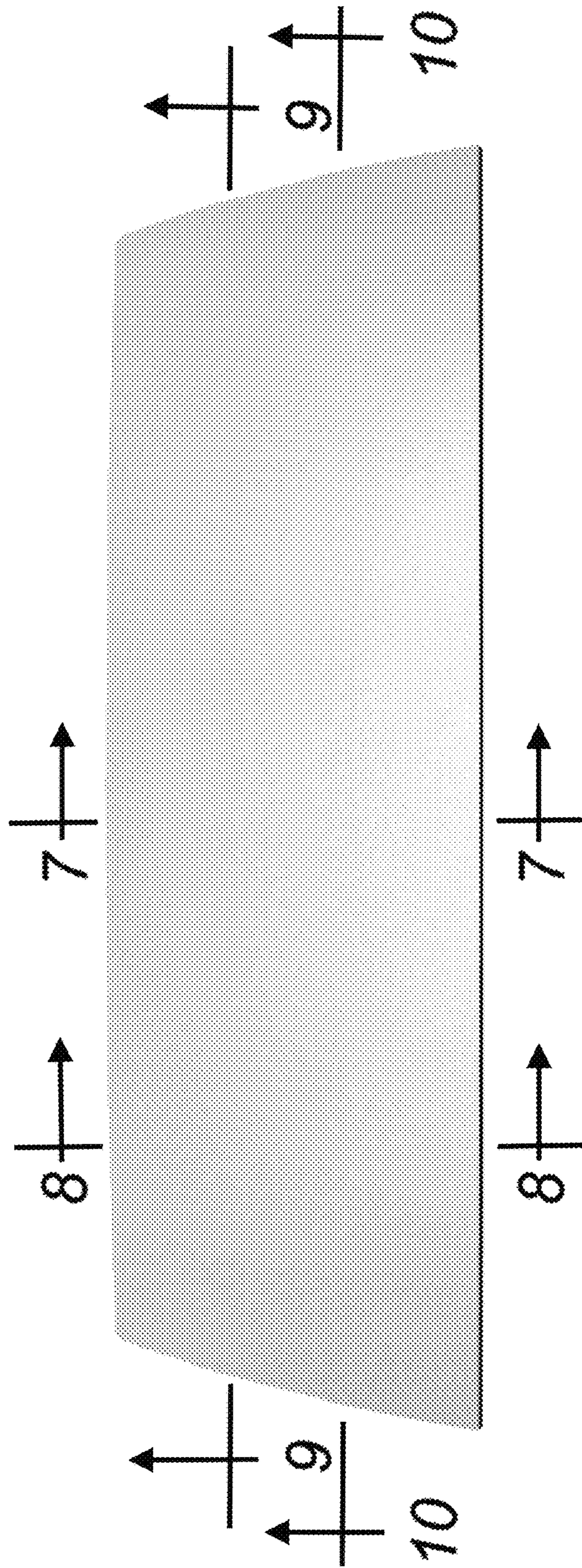
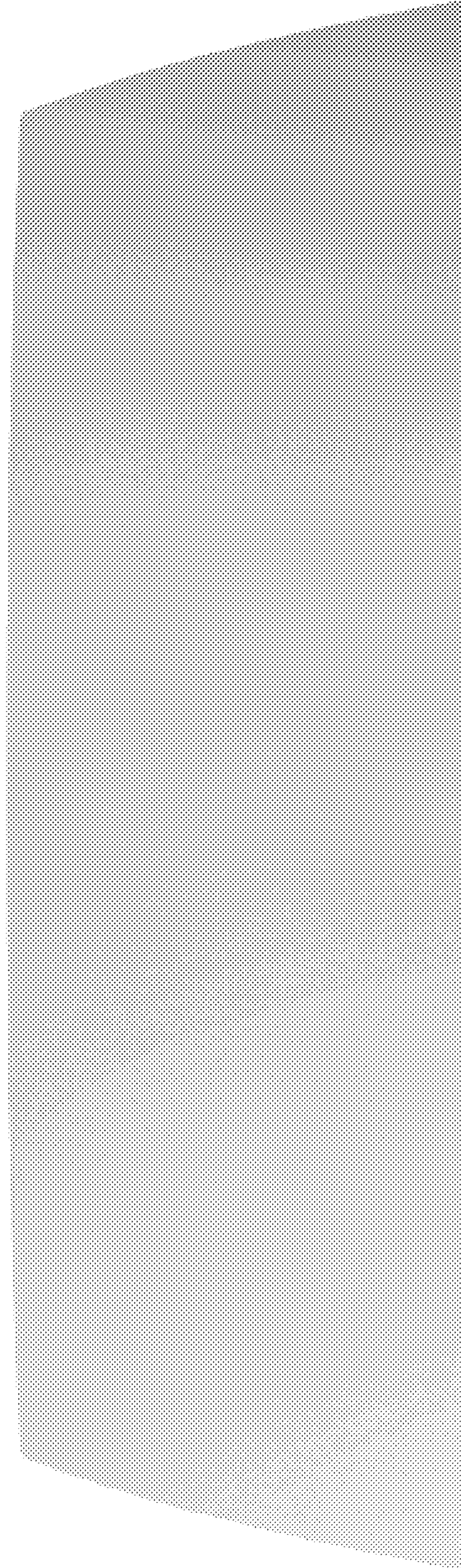


Figure 1



*Figure 2*

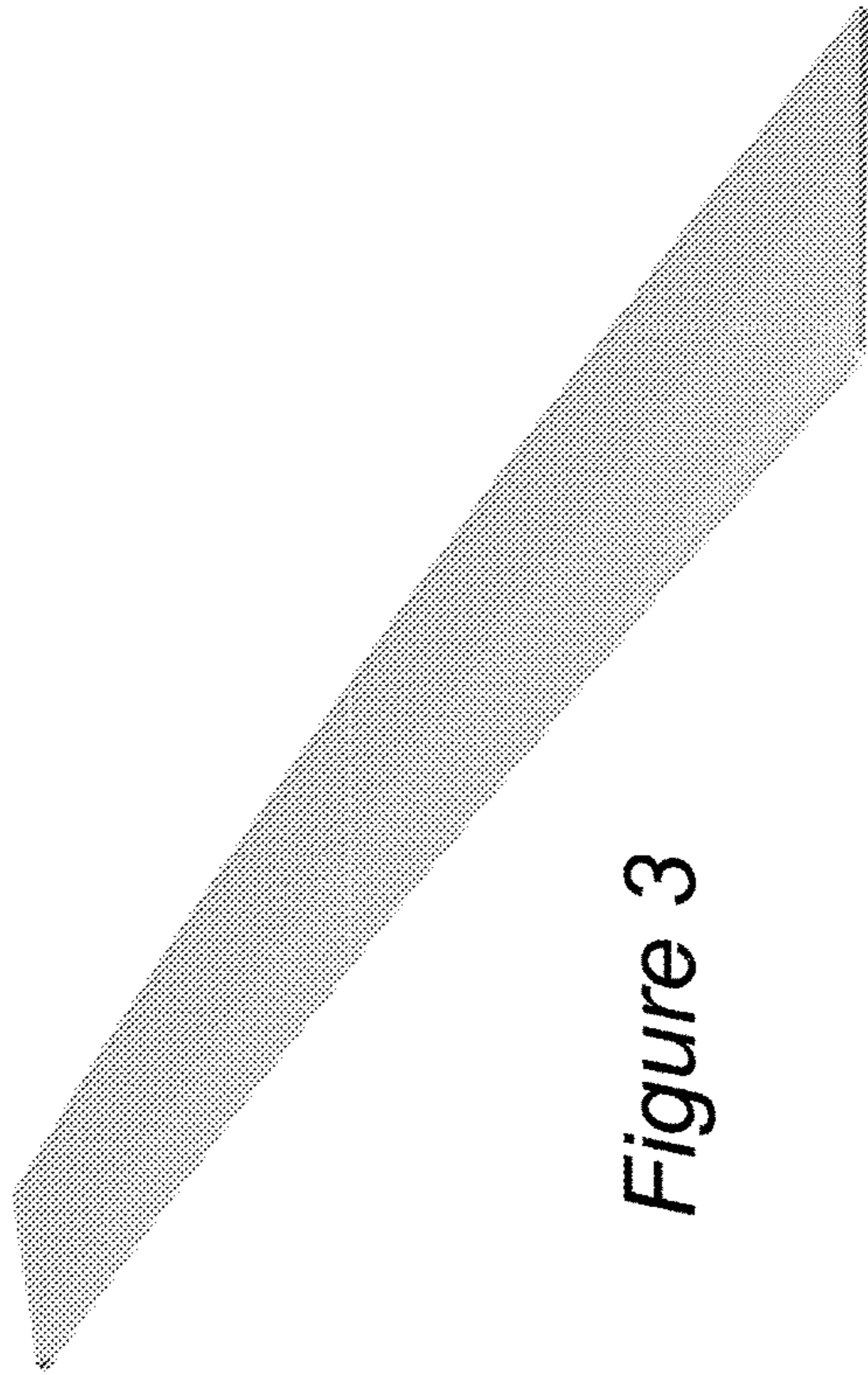


Figure 3

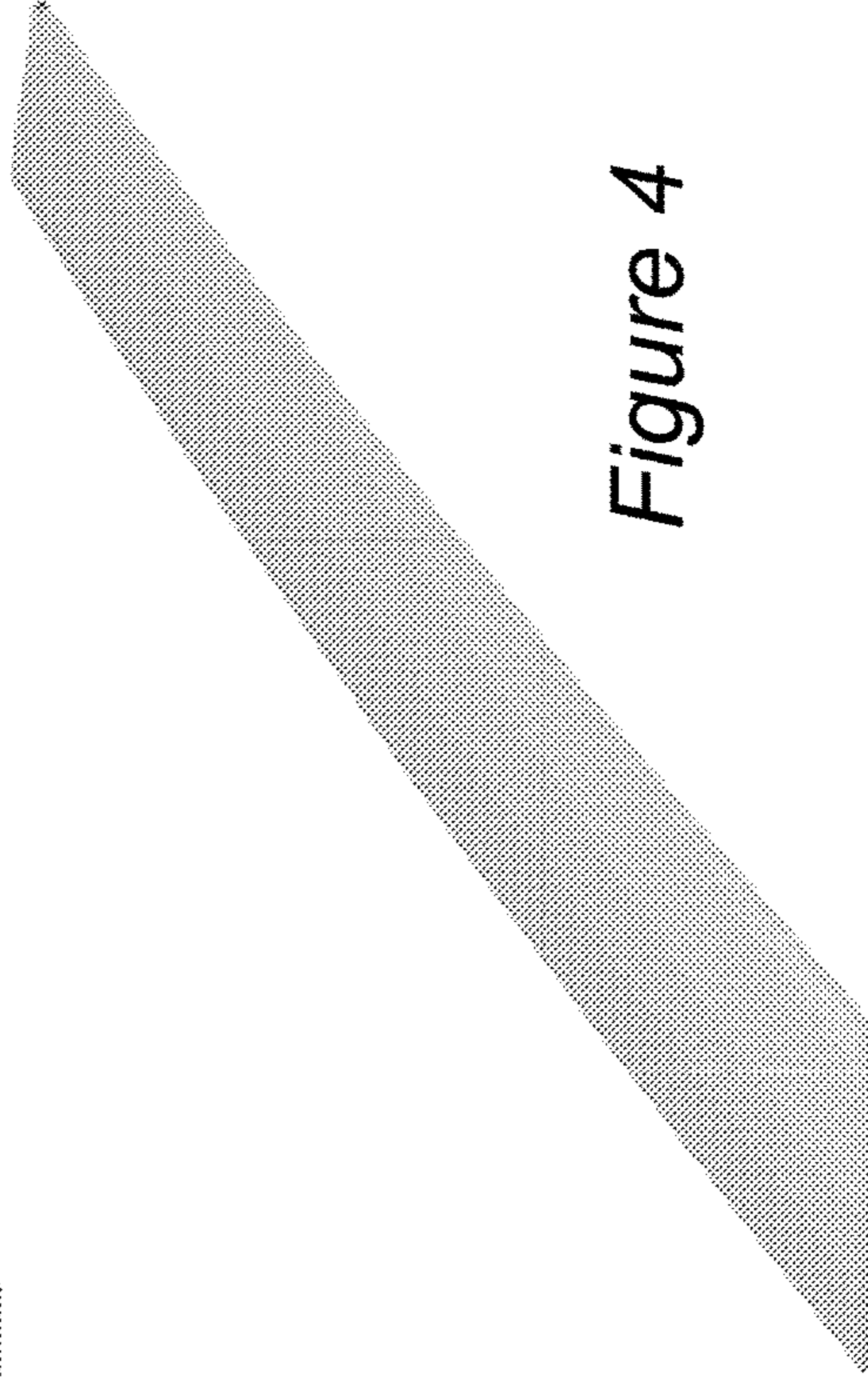


Figure 4

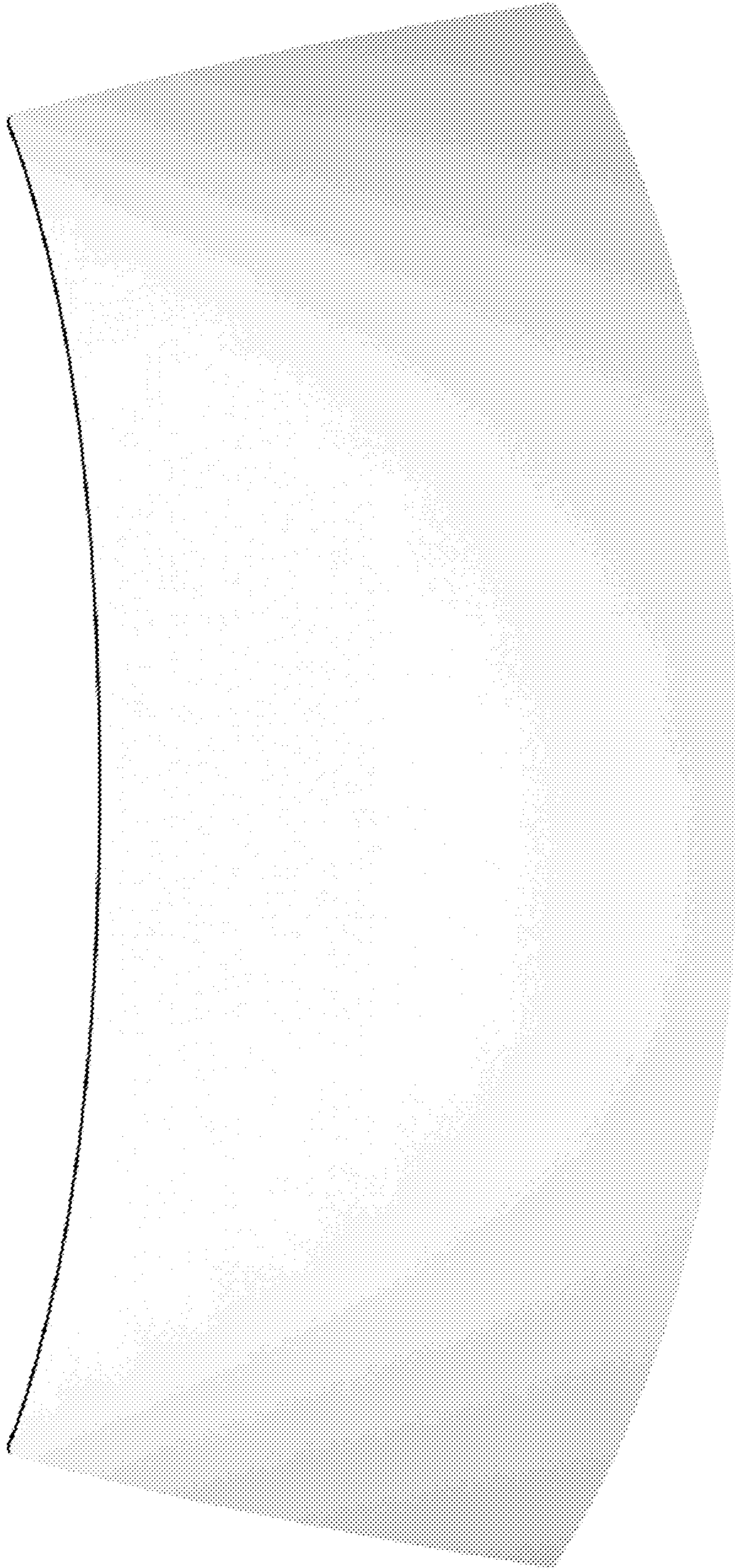
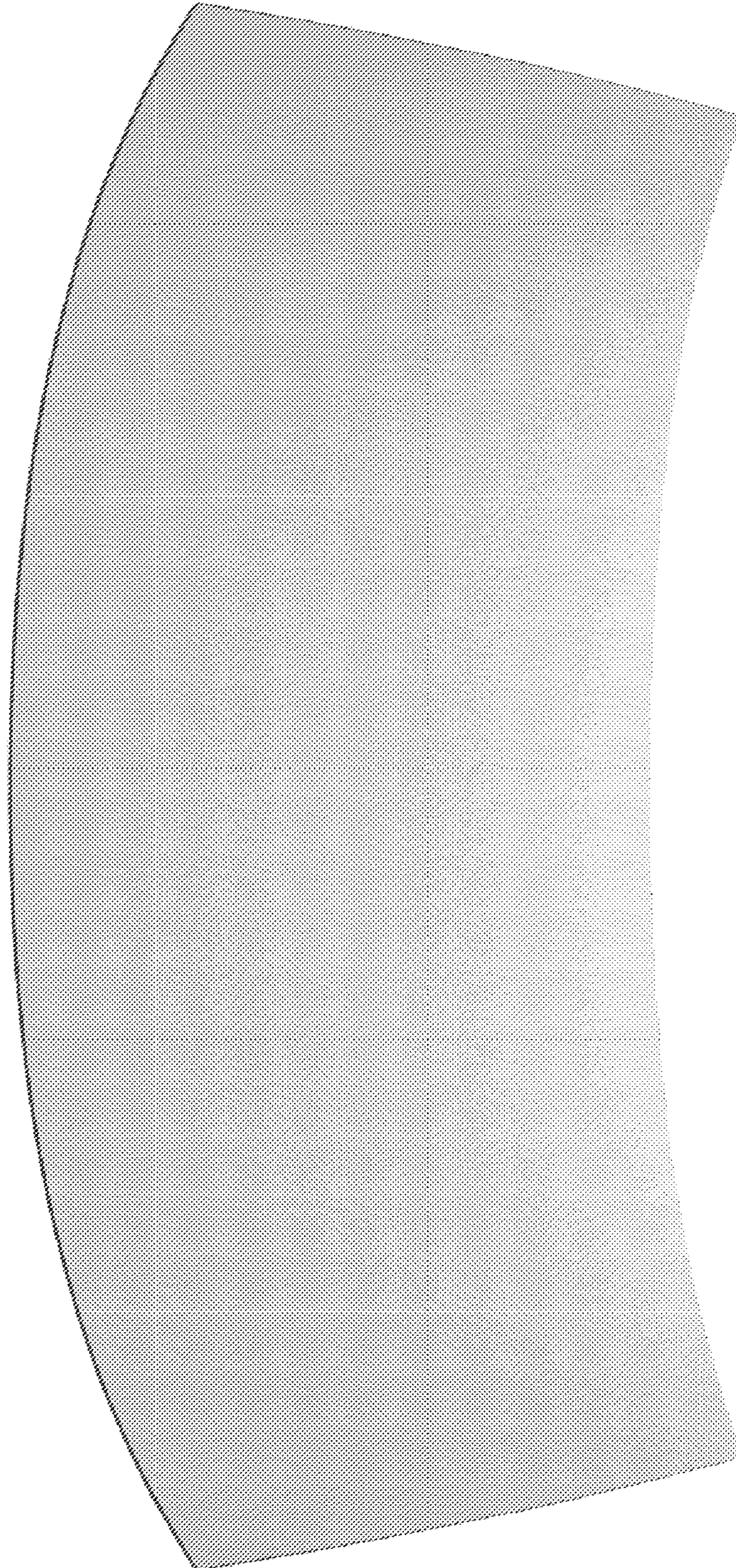


Figure 5



*Figure 6*

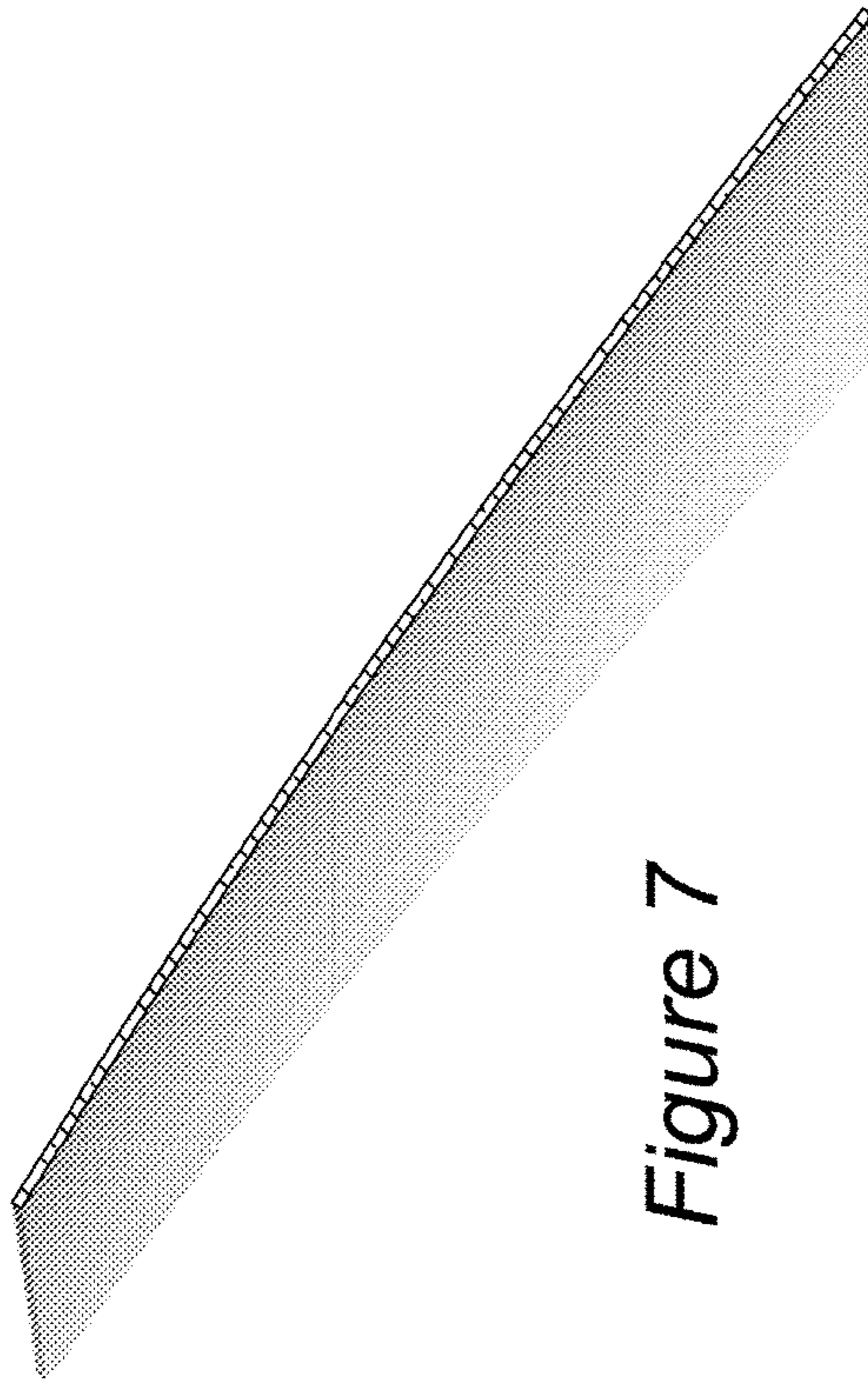


Figure 7

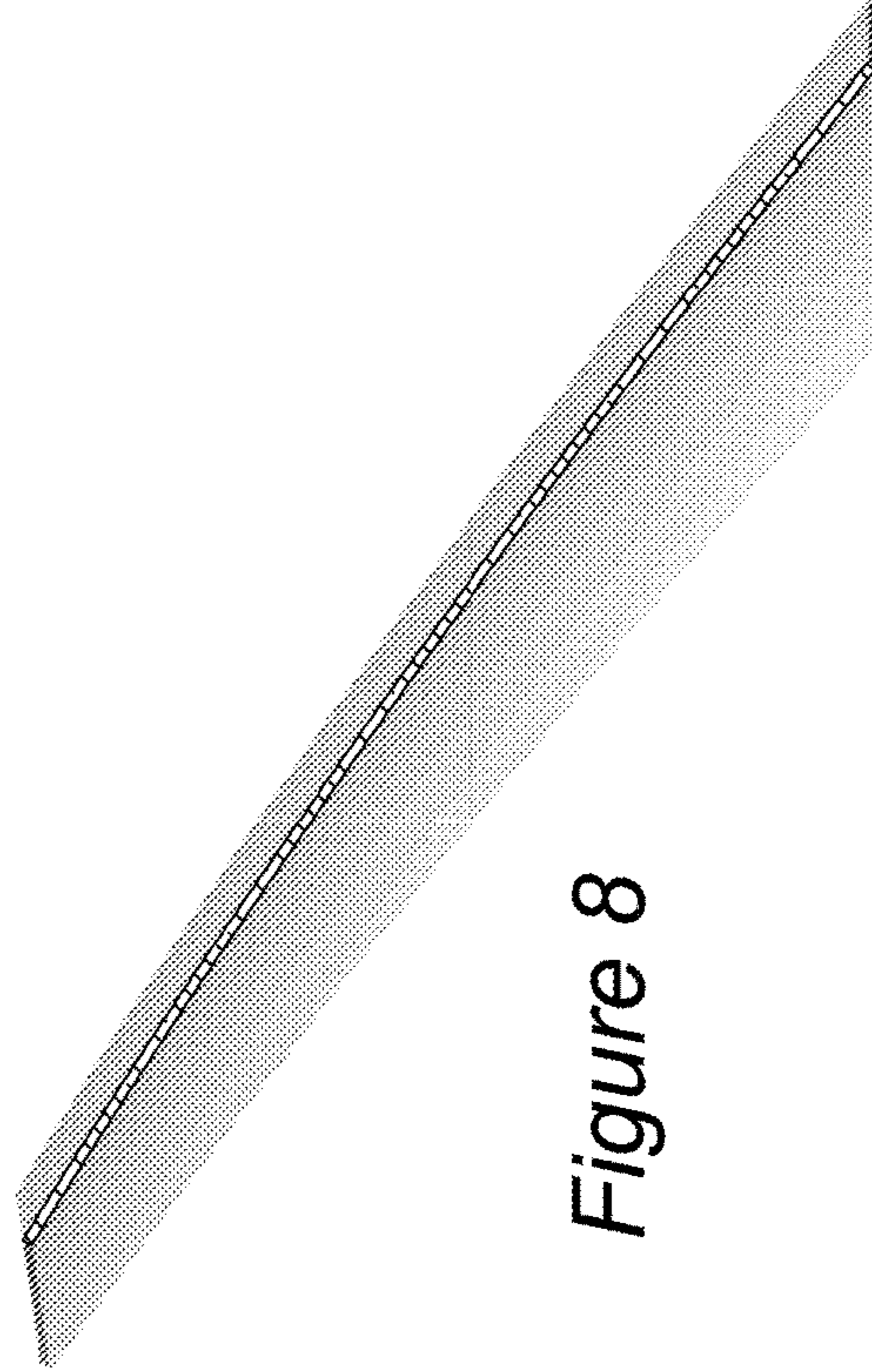


Figure 8

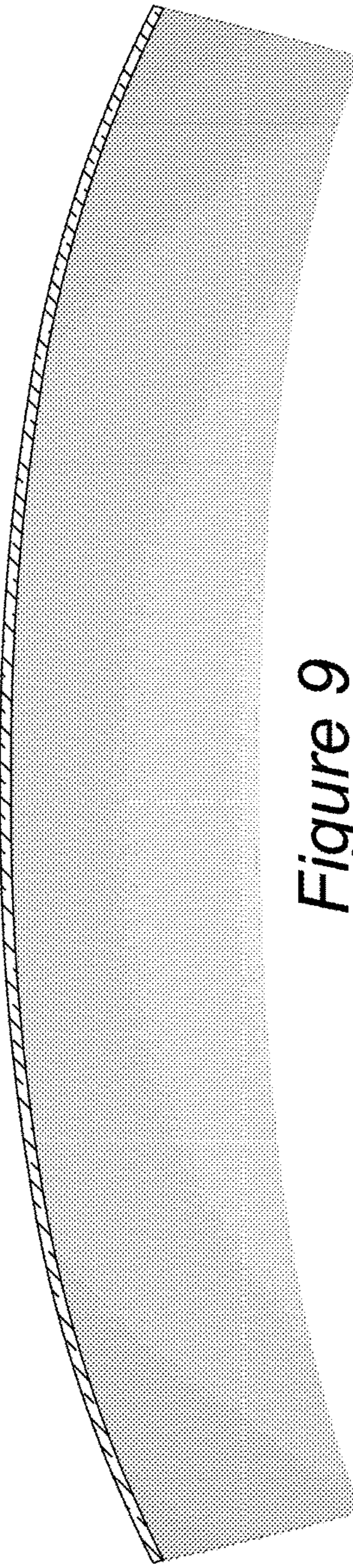


Figure 9

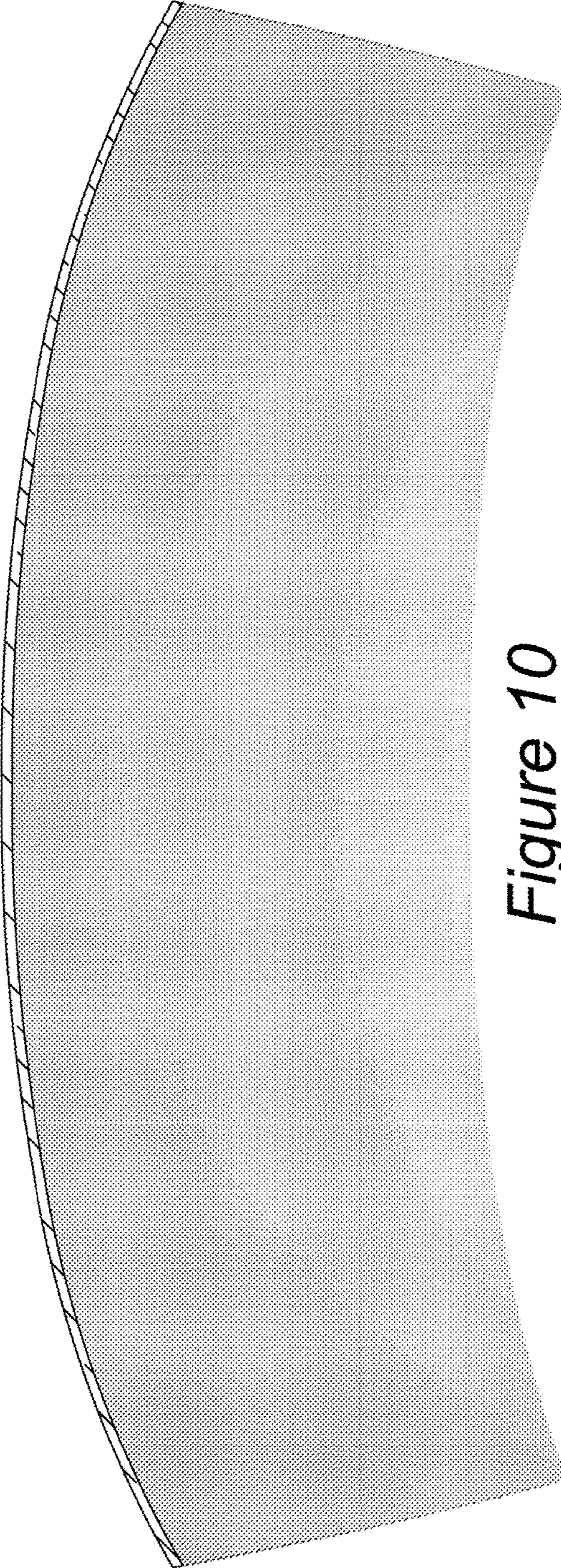
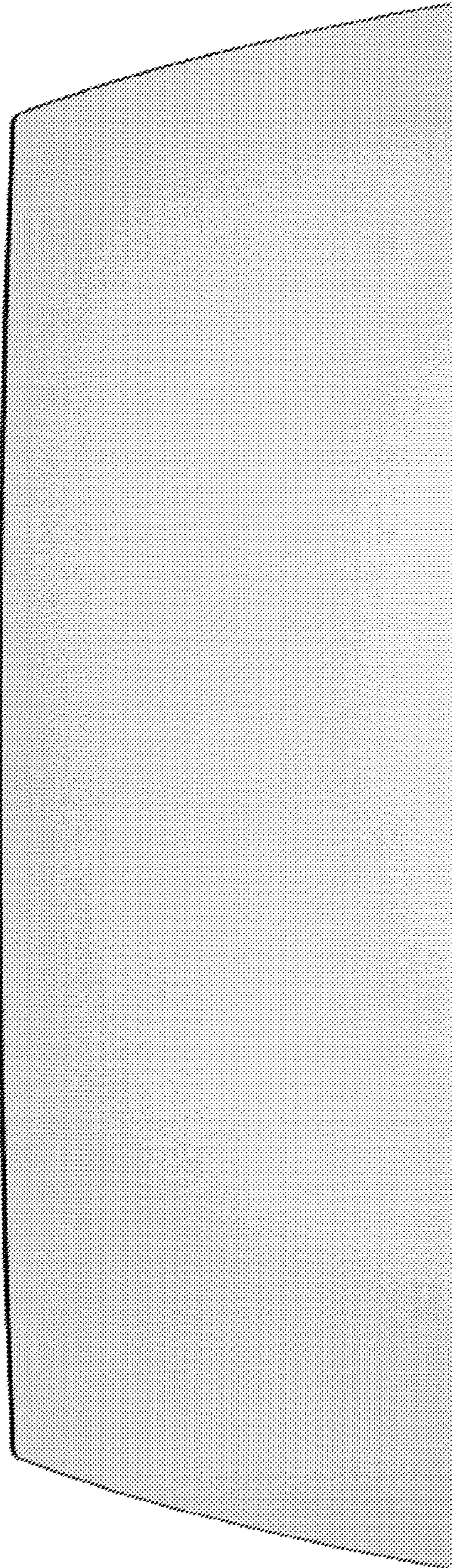


Figure 10





*Figure 11*