



US00D827520S

(12) **United States Design Patent** (10) **Patent No.:** **US D827,520 S**
Wu (45) **Date of Patent:** **** Sep. 4, 2018**

(54) **BULL BAR**
(71) Applicant: **Yim Man Wu**, Elmhurst, NY (US)
(72) Inventor: **Yim Man Wu**, Elmhurst, NY (US)
(**) Term: **15 Years**
(21) Appl. No.: **29/604,806**
(22) Filed: **May 19, 2017**
(51) **LOC (11) Cl.** **12-16**
(52) **U.S. Cl.**
USPC **D12/172**
(58) **Field of Classification Search**
USPC D12/86, 90, 91, 92, 163, 169, 171, 196,
D12/216
CPC B60R 19/02; B60R 19/04; B62D 25/00;
B62D 25/06; B62D 25/08; B62D 35/00
See application file for complete search history.

(56) **References Cited**
U.S. PATENT DOCUMENTS
4,469,360 A * 9/1984 Drury B60R 19/52
293/102
D726,605 S * 4/2015 Schroeder D12/171

D743,856 S * 11/2015 Ma D12/171
D777,618 S * 1/2017 Setina D12/171
D794,519 S * 8/2017 McMath D12/169
D801,892 S * 11/2017 Drever D12/171
9,884,601 B1 * 2/2018 Candido B60R 19/34
2009/0302623 A1 * 12/2009 Finney B60R 19/52
293/115
2014/0339837 A1 * 11/2014 Hermann, III B66D 1/00
293/115
2017/0088076 A1 * 3/2017 Fujimoto B60R 19/44
2017/0349227 A1 * 12/2017 Spindler B62D 65/10

* cited by examiner

Primary Examiner — Susan Bennett Hattan
Assistant Examiner — Suzanne E Tisdell

(57) **CLAIM**
I claim the ornamental design for a bull bar, as shown and described.

DESCRIPTION

FIG. 1 is a perspective view of the bull bar.
FIG. 2 is a front view of the bull bar.
FIG. 3 is a top view of the bull bar.
FIG. 4 is a bottom view of the bull bar; and,
FIG. 5 is a side view of the bull bar.

1 Claim, 5 Drawing Sheets

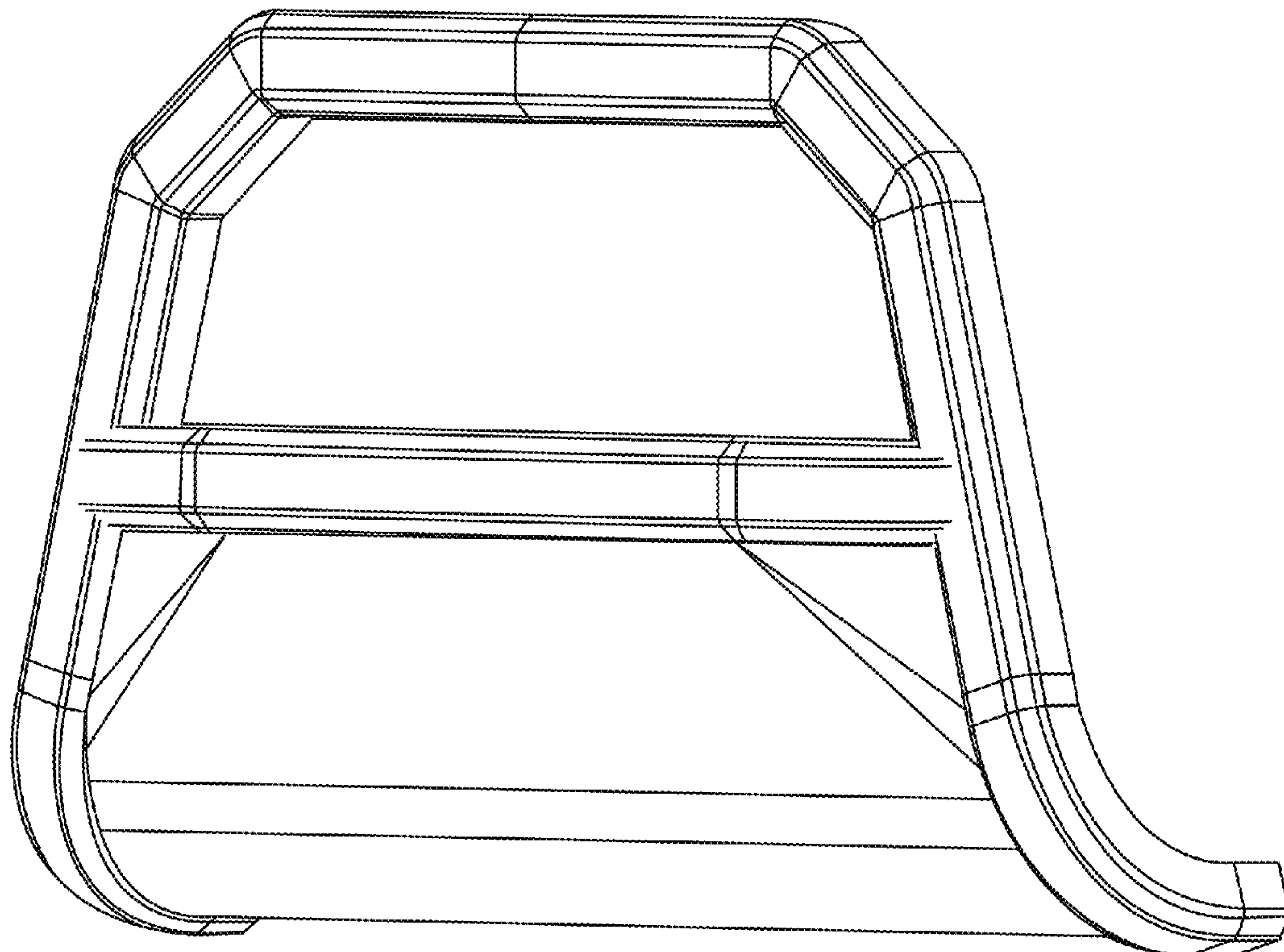


Figure 1

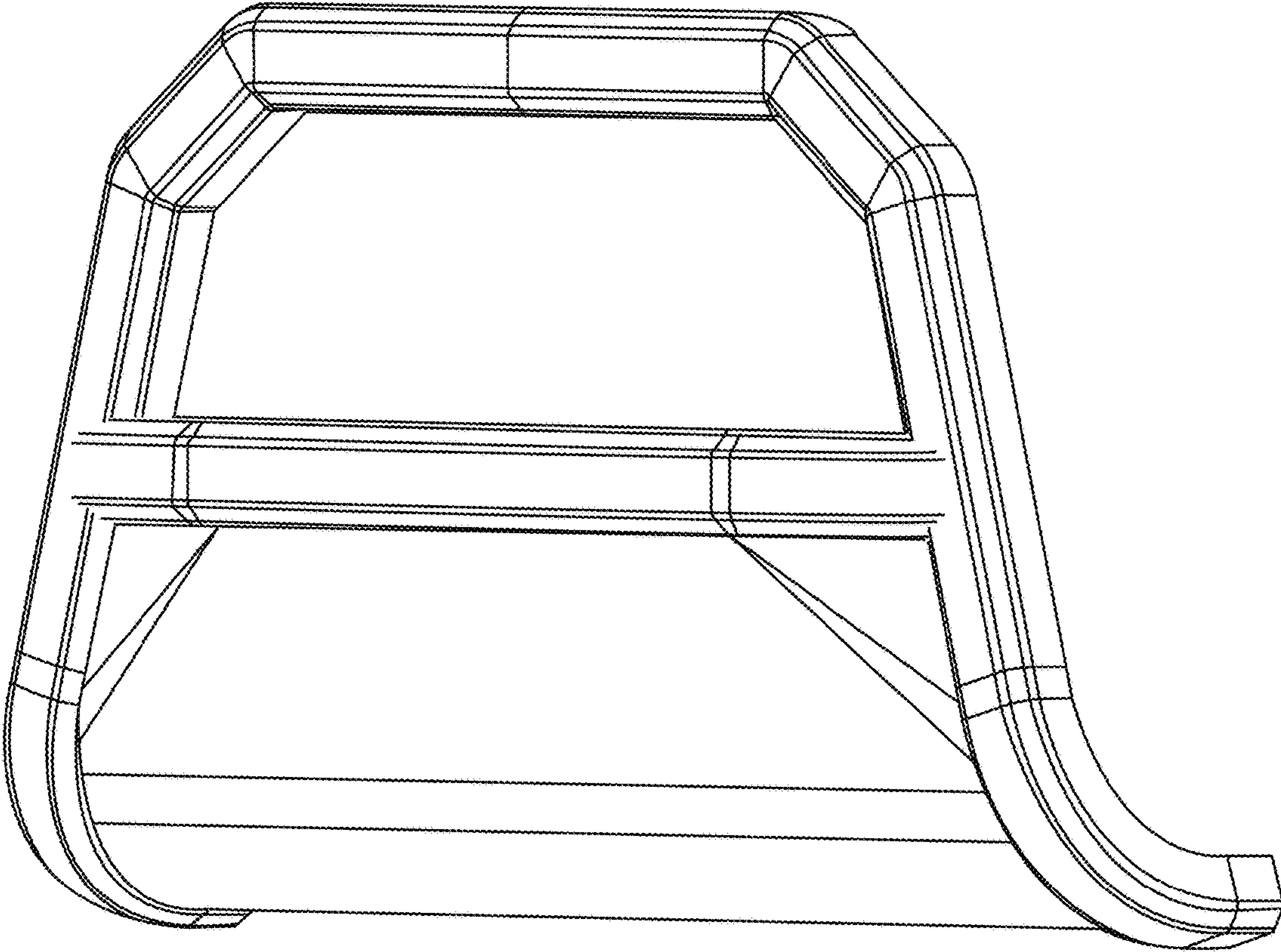


Figure 2

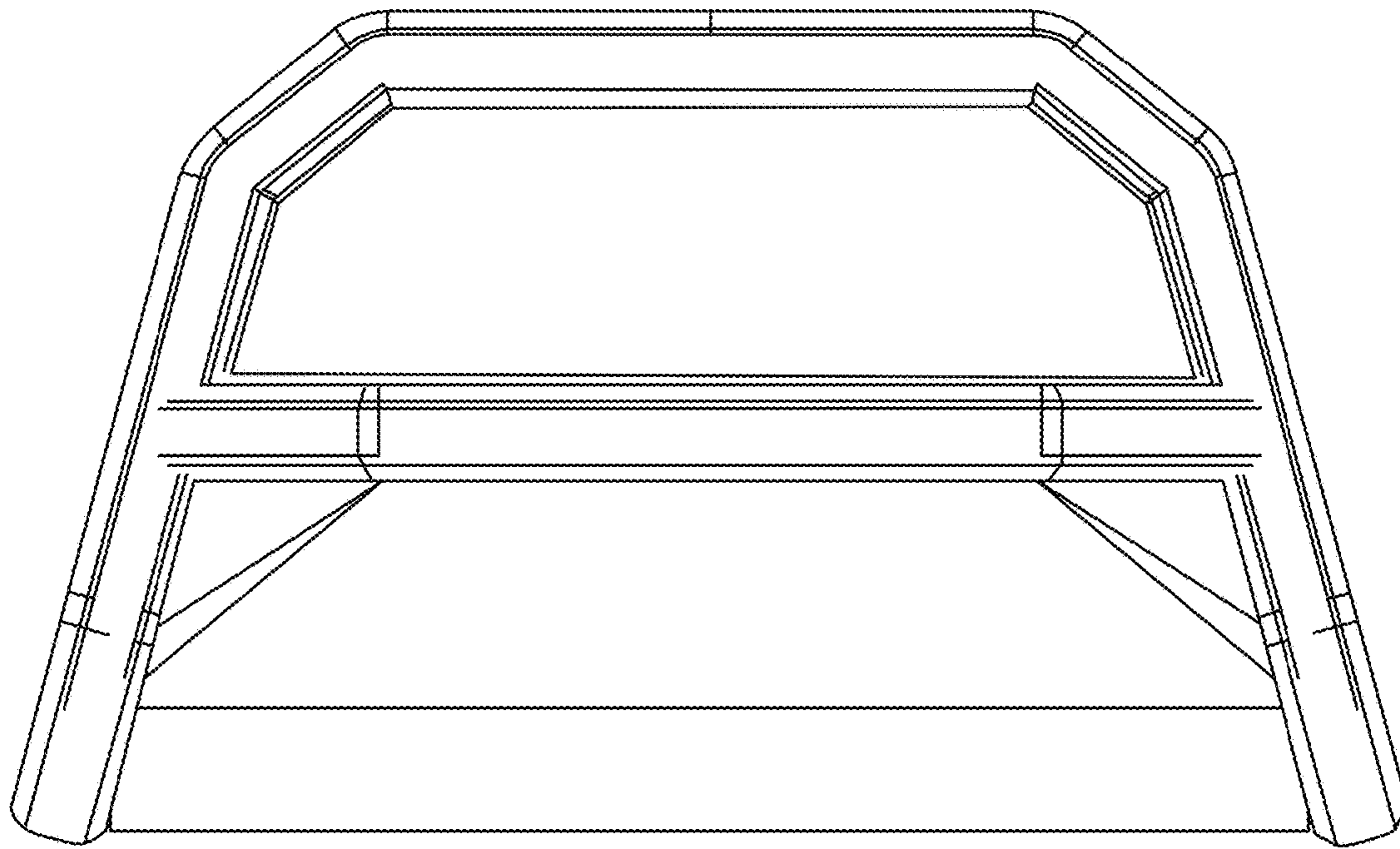


Figure 3

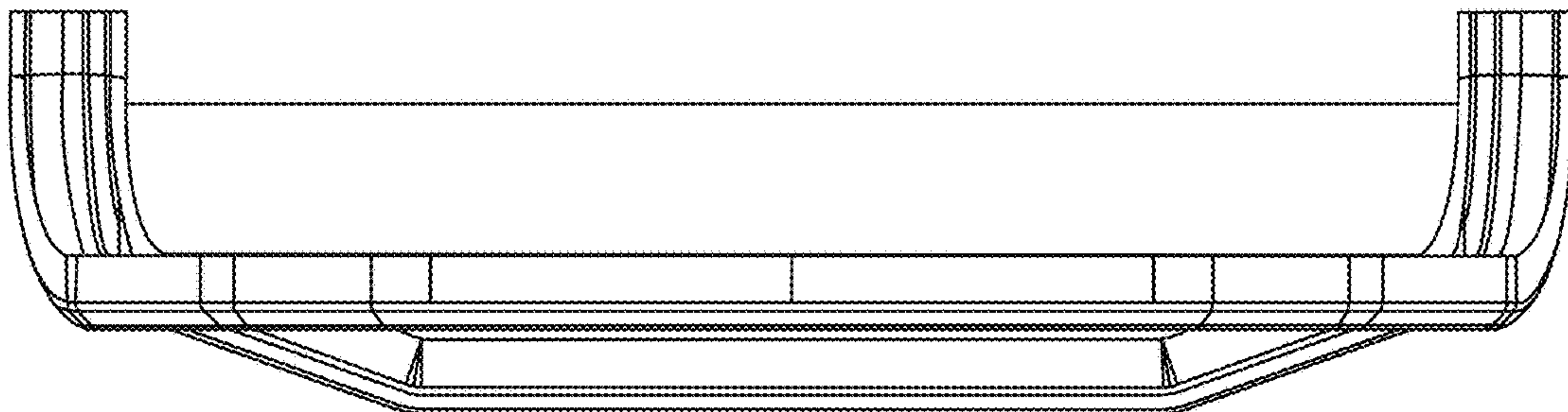


Figure 4

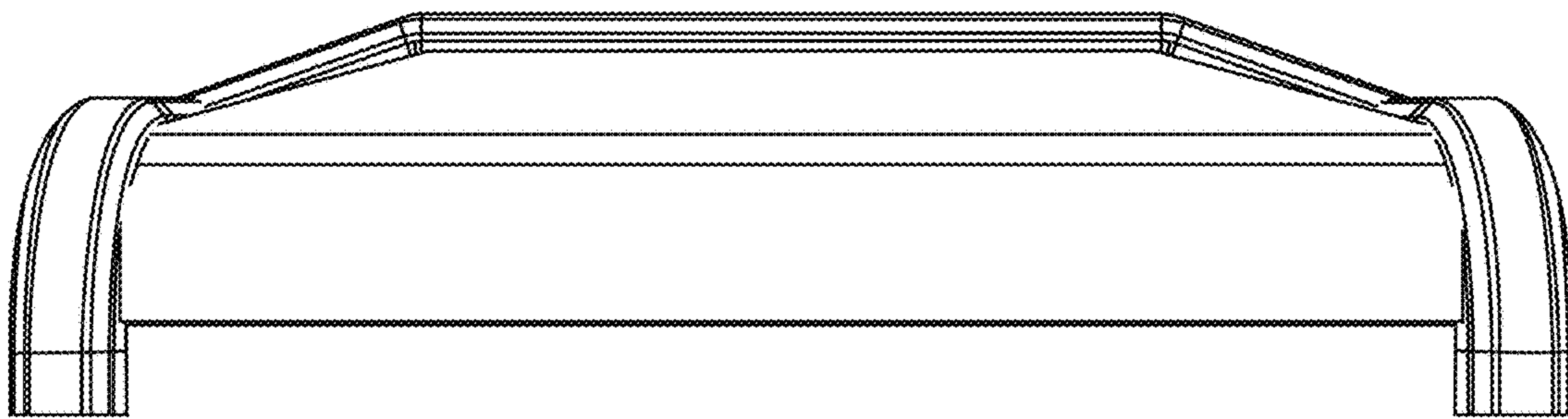


Figure 5

