



US00D827518S

(12) **United States Design Patent** (10) **Patent No.:** **US D827,518 S**
Komuro et al. (45) **Date of Patent:** **** Sep. 4, 2018**

(54) **FRONT BUMPER FOR AUTOMOBILE**
(71) Applicant: **Nissan Motor Co., Ltd.**, Yokohama, Kanagawa (JP)
(72) Inventors: **Yukio Komuro**, Kanagawa (JP); **David Beasley**, Middlesex (GB)
(73) Assignee: **Nissan Motor Co., Ltd.**, Yokohama (JP)
(**) Term: **15 Years**
(21) Appl. No.: **29/612,065**
(22) Filed: **Jul. 28, 2017**

D760,127 S * 6/2016 Yamamoto D12/169
D786,147 S * 5/2017 Horie D12/169
D786,151 S * 5/2017 Sakai D12/169
D786,749 S * 5/2017 Oohashi D12/169
D793,921 S * 8/2017 Takamatsu D12/169
D797,618 S * 9/2017 Suzuki D12/169
D814,991 S * 4/2018 Tanaka D12/169
D814,993 S * 4/2018 Minamiyama D12/169

* cited by examiner

Primary Examiner — Melody N Brown

(30) **Foreign Application Priority Data**
Feb. 7, 2017 (JP) 2017-002149
(51) **LOC (11) Cl.** **12-16**
(52) **U.S. Cl.**
USPC **D12/169**
(58) **Field of Classification Search**
USPC D12/169, 216, 90-92, 86, 171, 196, 163;
293/102, 113, 115, 117, 120; 296/180.1,
296/180.2
CPC B60R 19/02; B60R 19/04; B62D 25/08
See application file for complete search history.

(57) **CLAIM**

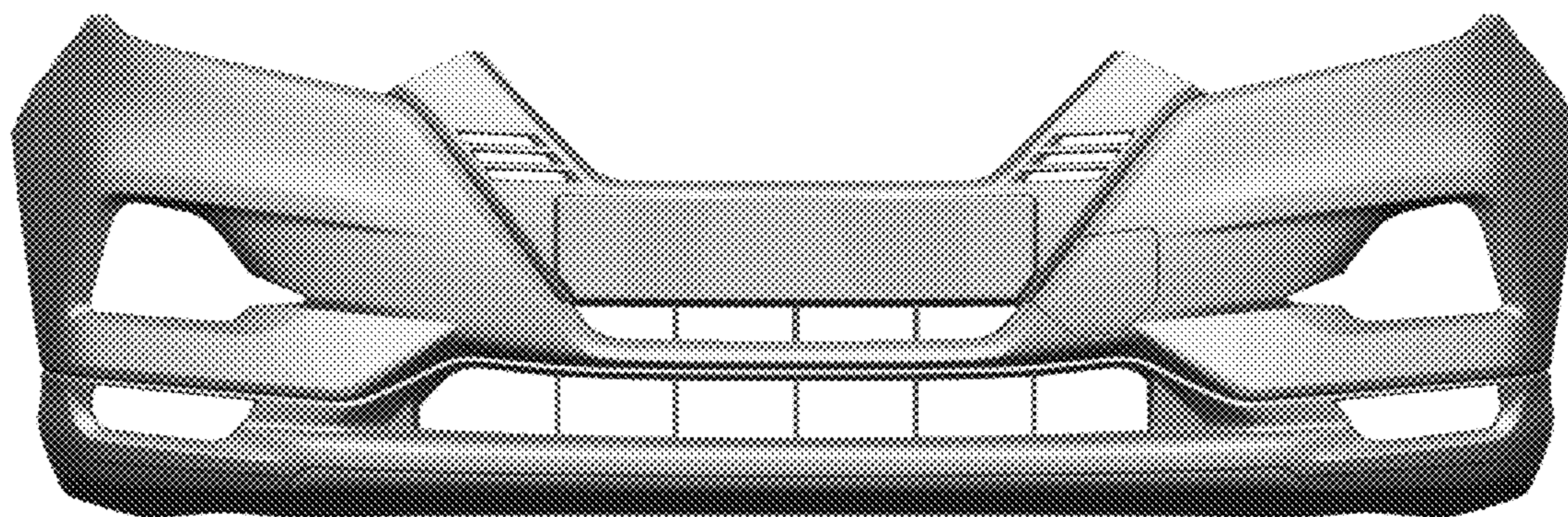
The ornamental design for a front bumper for an automobile, as shown and described.

DESCRIPTION

FIG. 1 is a front elevational view of a front bumper for an automobile in accordance with our new design;
FIG. 2 is a top plan view thereof;
FIG. 3 is a bottom plan view thereof;
FIG. 4 is a left side elevational view thereof;
FIG. 5 is a right side elevational view thereof;
FIG. 6 is a bottom, front and left side perspective view thereof; and,
FIG. 7 is a top, front and right side perspective view thereof. The rear view of the front bumper forms no part of the claimed design. The inside surfaces of the front bumper, shown in broken lines in FIGS. 2, 3 and 7, form no part of the claimed design since the inside surfaces are hidden when the front bumper is mounted to the automobile.

(56) **References Cited**
U.S. PATENT DOCUMENTS
D708,997 S * 7/2014 Koizumi D12/169
D749,999 S * 2/2016 Curic D12/169

1 Claim, 7 Drawing Sheets



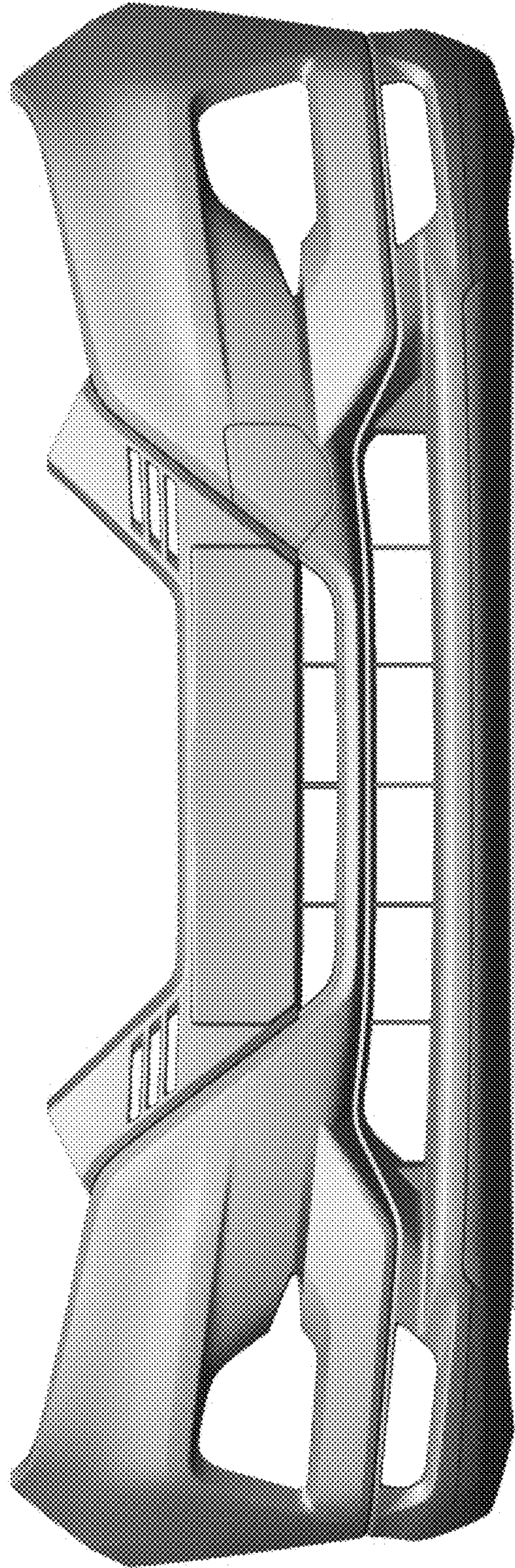


FIG. 1

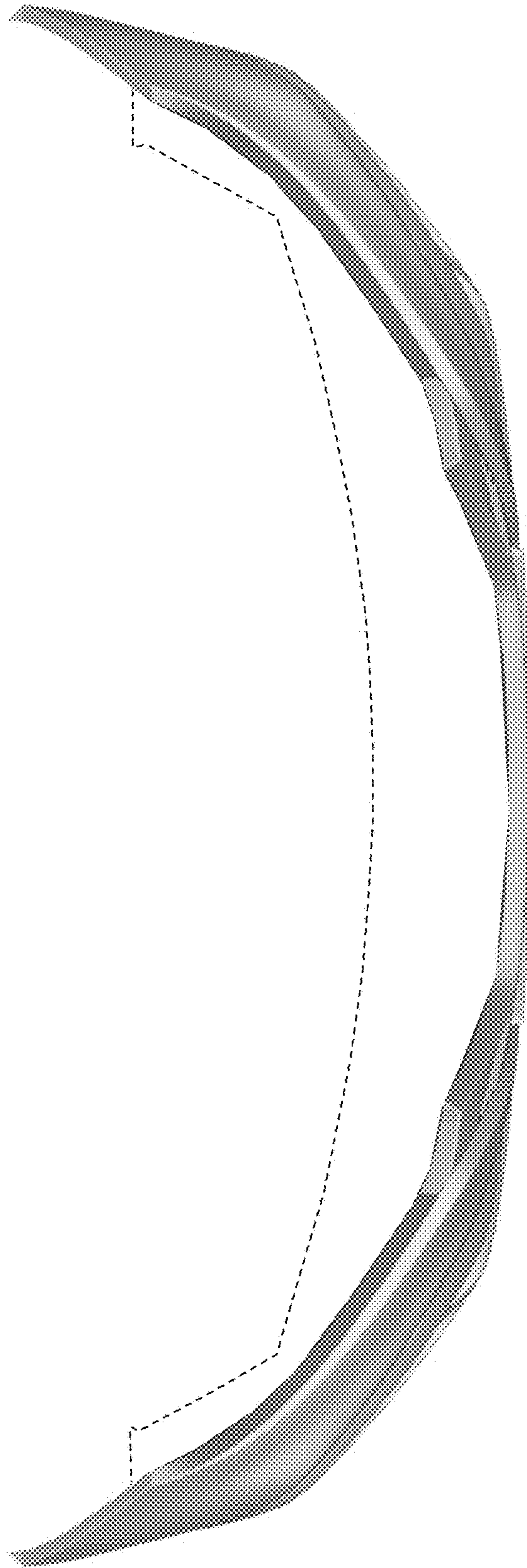


FIG. 2

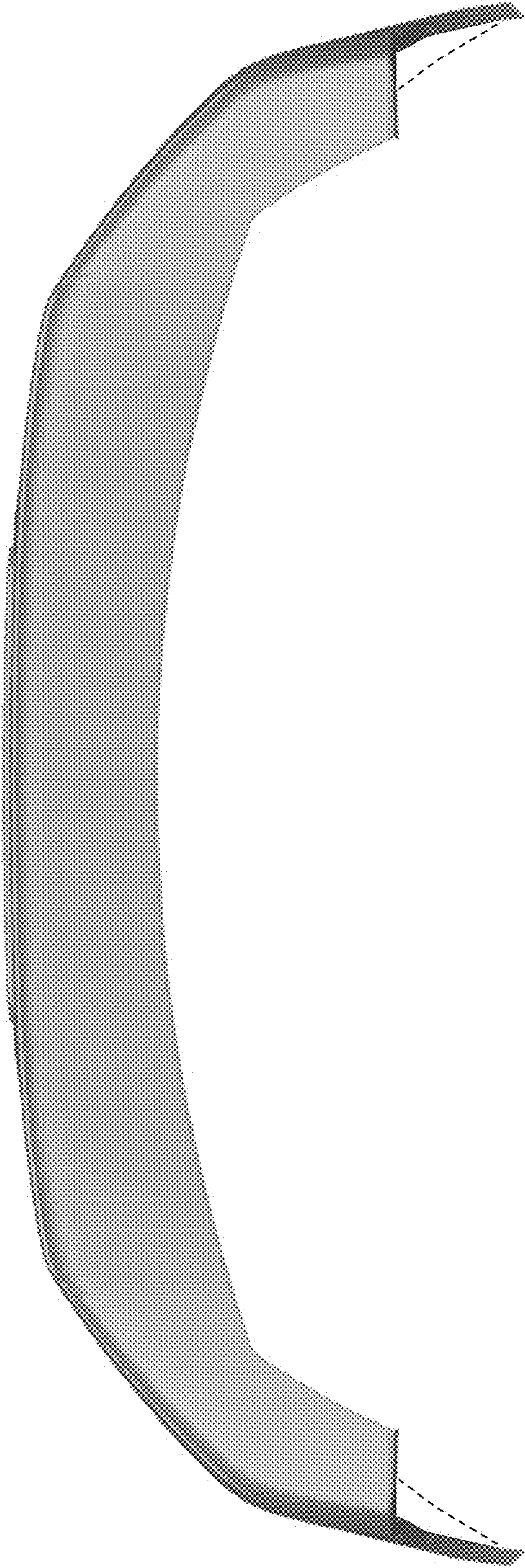


FIG. 3

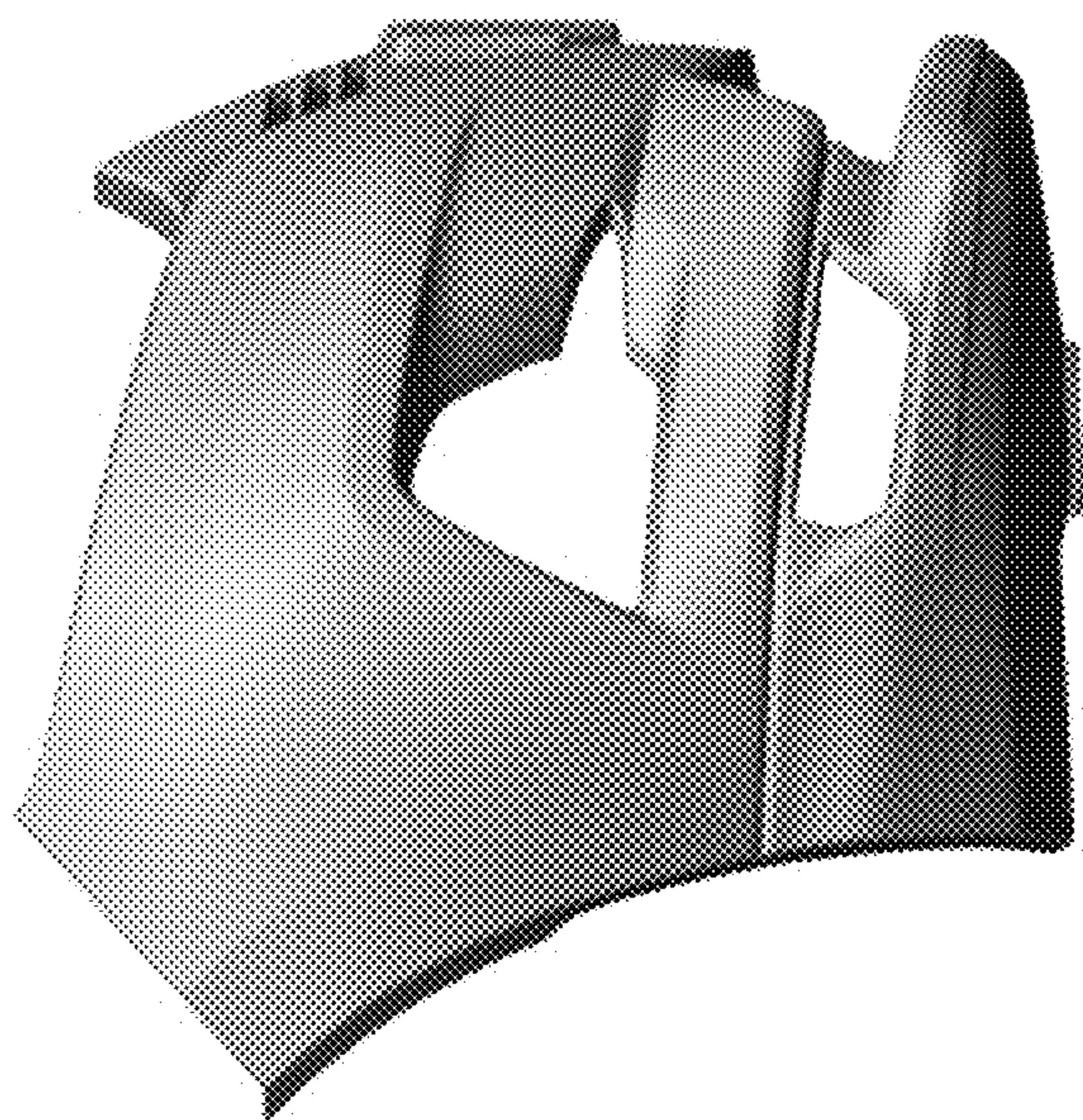


FIG. 4

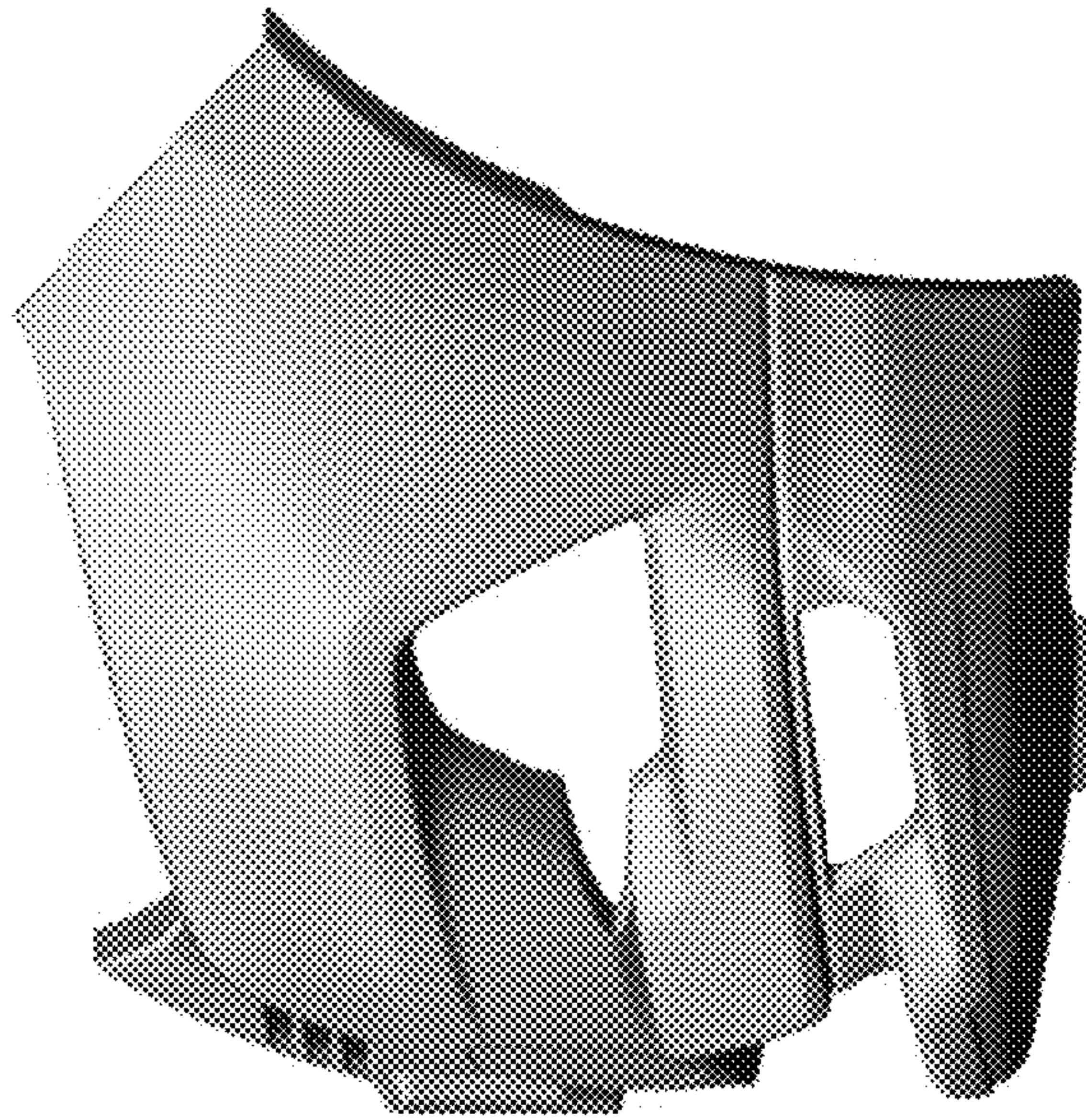


FIG. 5

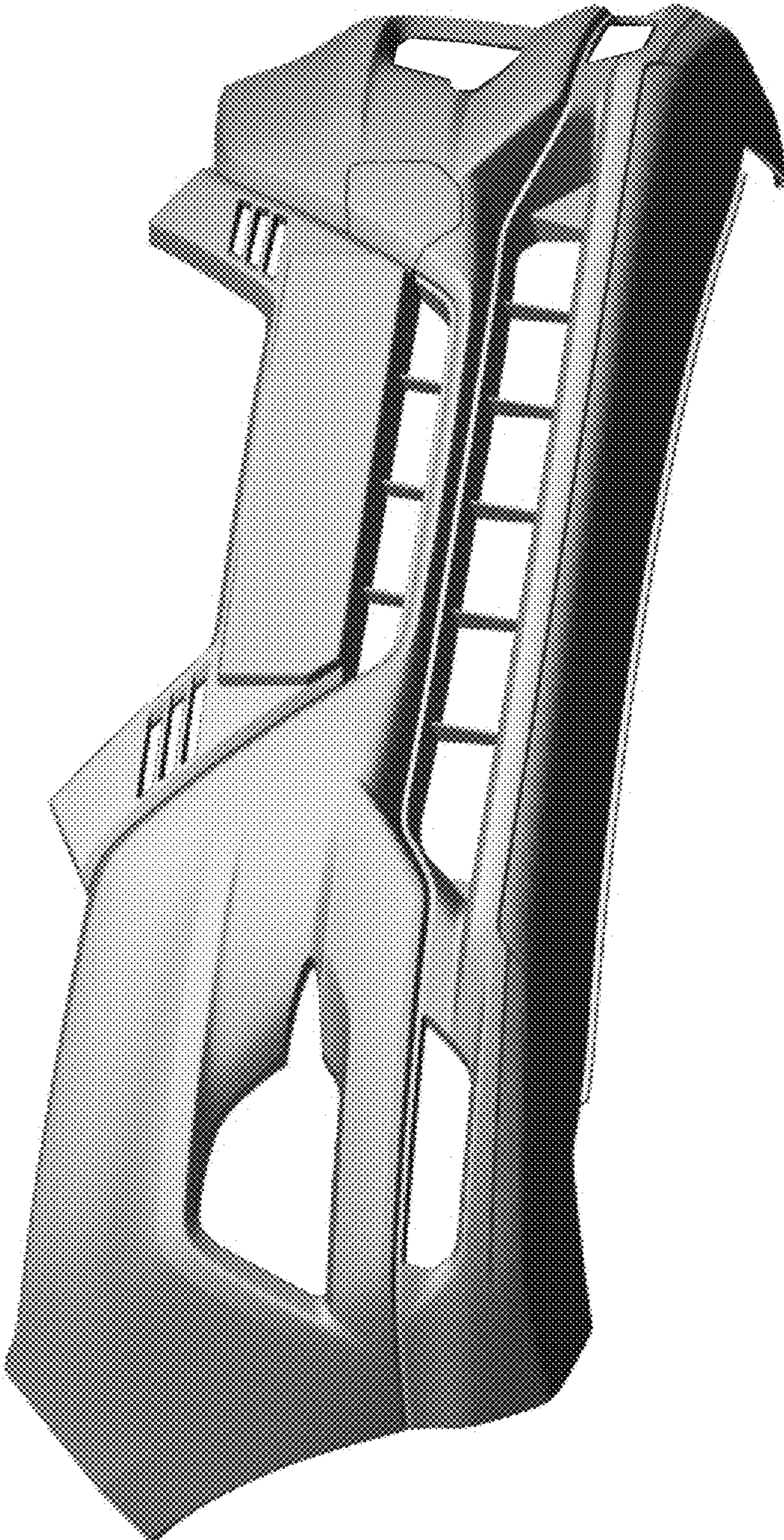


FIG. 6

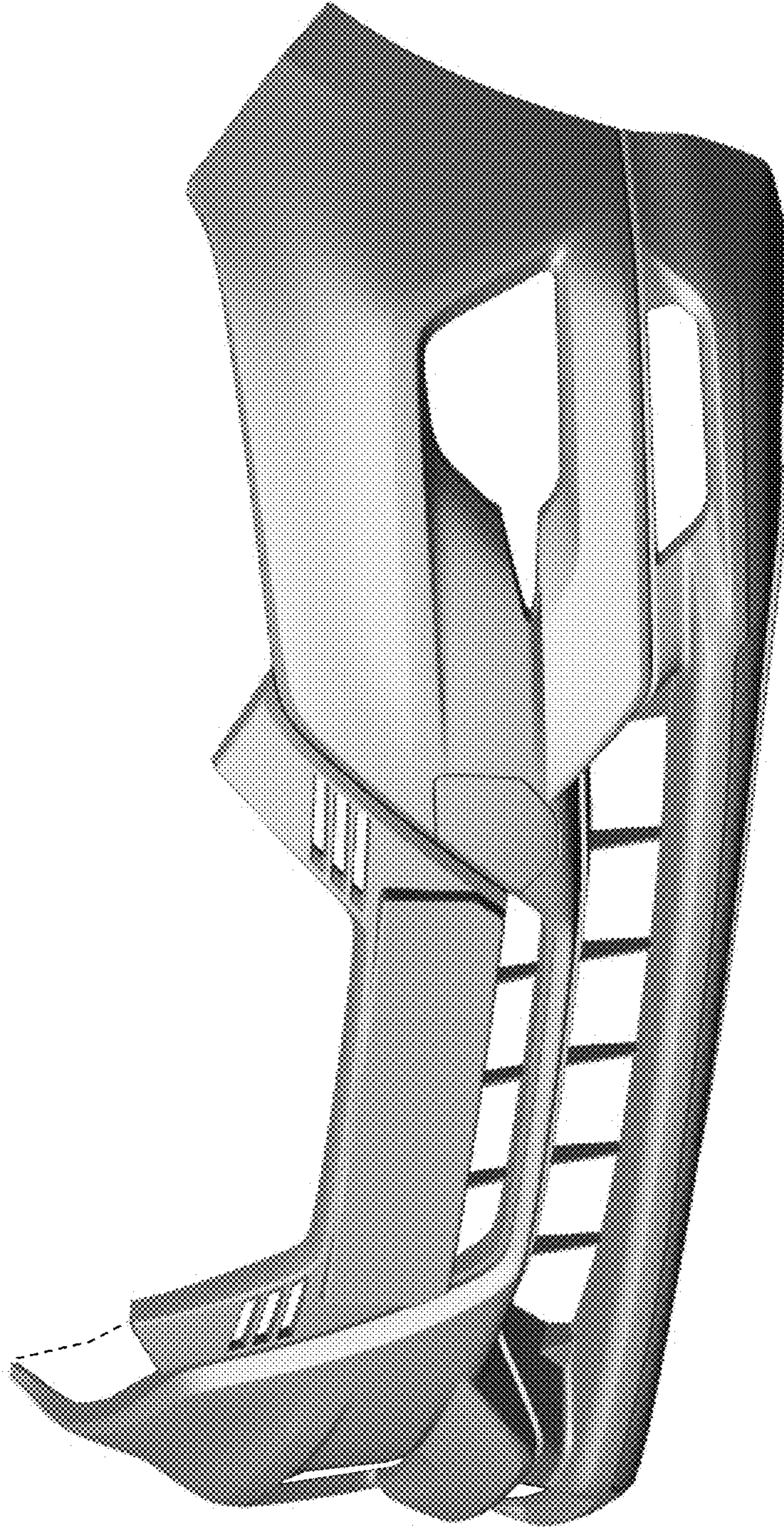


FIG. 7