



US00D827516S

(12) **United States Design Patent** (10) **Patent No.:** **US D827,516 S**
Ashida et al. (45) **Date of Patent:** **** Sep. 4, 2018**

(54) **FRONT BUMPER FOR AUTOMOBILE**
(71) Applicant: **Nissan Motor Co., Ltd.**, Yokohama, Kanagawa (JP)
(72) Inventors: **Naoya Ashida**, Hyogo (JP); **Kazuki Aoyama**, Kanagawa (JP)
(73) Assignee: **Nissan Motor Co., Ltd.**, Yokohama (JP)

D699,166 S * 2/2014 Abe D12/169
D718,676 S * 12/2014 Ishizuka D12/169
D718,677 S * 12/2014 Whang D12/169
D749,999 S * 2/2016 Curic D12/169
D773,350 S * 12/2016 Lee D12/169
D786,748 S * 5/2017 Hellwig D12/169
D787,385 S * 5/2017 Varga D12/169
D792,297 S * 7/2017 Komuro D12/169

(**) Term: **15 Years**

(21) Appl. No.: **29/611,155**

(22) Filed: **Jul. 19, 2017**

(30) **Foreign Application Priority Data**

Jan. 20, 2017 (JP) 2017-000842

(51) **LOC (11) Cl.** **12-16**

(52) **U.S. Cl.**
USPC **D12/169**

(58) **Field of Classification Search**
USPC D12/169, 216, 90-92, 86, 171, 196, 163;
293/102, 113, 115, 117, 120; 296/180.1,
296/180.2
CPC B60R 19/02; B60R 19/04; B62D 25/08
See application file for complete search history.

(56) **References Cited**

U.S. PATENT DOCUMENTS

D682,168 S * 5/2013 Fuchigami D12/169
D682,169 S * 5/2013 Choi D12/169
D698,710 S * 2/2014 Endo D12/169

FOREIGN PATENT DOCUMENTS

JP D1472971 S 6/2013

* cited by examiner

Primary Examiner — Melody N Brown

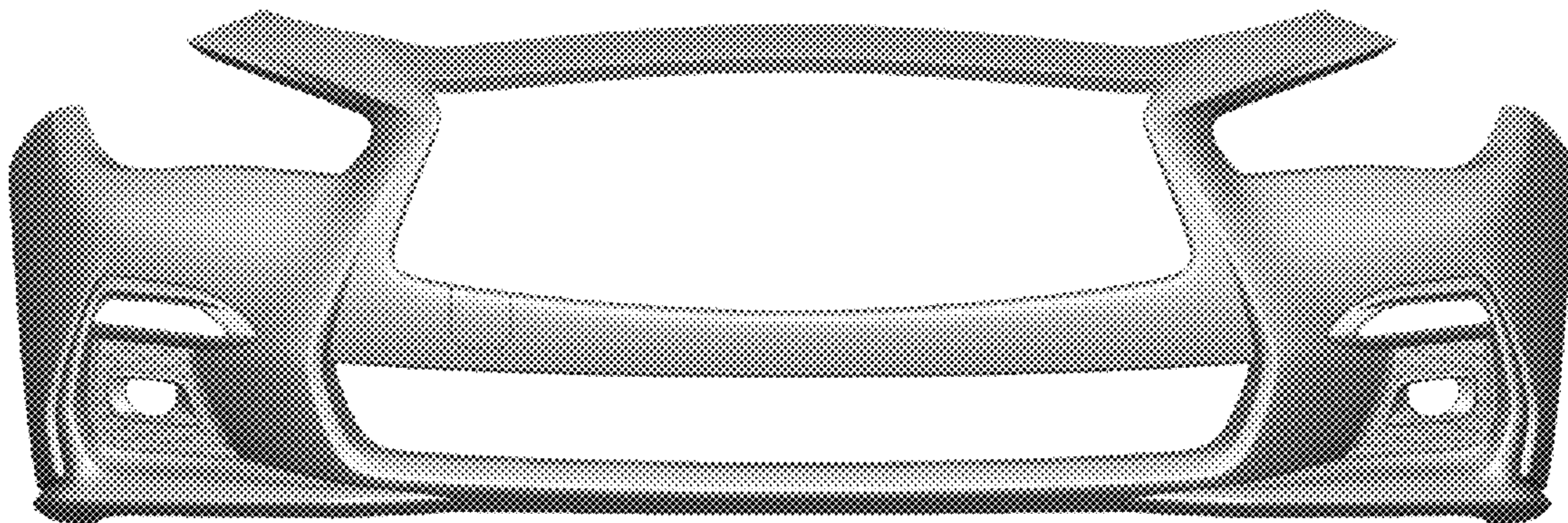
(57) **CLAIM**

The ornamental design for a front bumper for an automobile, as shown and described.

DESCRIPTION

FIG. 1 is a front elevational view of a front bumper for an automobile in accordance with our new design;
FIG. 2 is a top plan view thereof;
FIG. 3 is a bottom plan view thereof;
FIG. 4 is a left side elevational view thereof;
FIG. 5 is a right side elevational view thereof;
FIG. 6 is a bottom, front and left side perspective view thereof; and,
FIG. 7 is a top, front and right side perspective view thereof.
The rear view of the front bumper forms no part of the claimed design. The inside surfaces of the front bumper, shown in broken lines in FIGS. 2, 3, 6 and 7, form no part of the claimed design since the inside surfaces are hidden when the front bumper is mounted to the automobile.

1 Claim, 7 Drawing Sheets



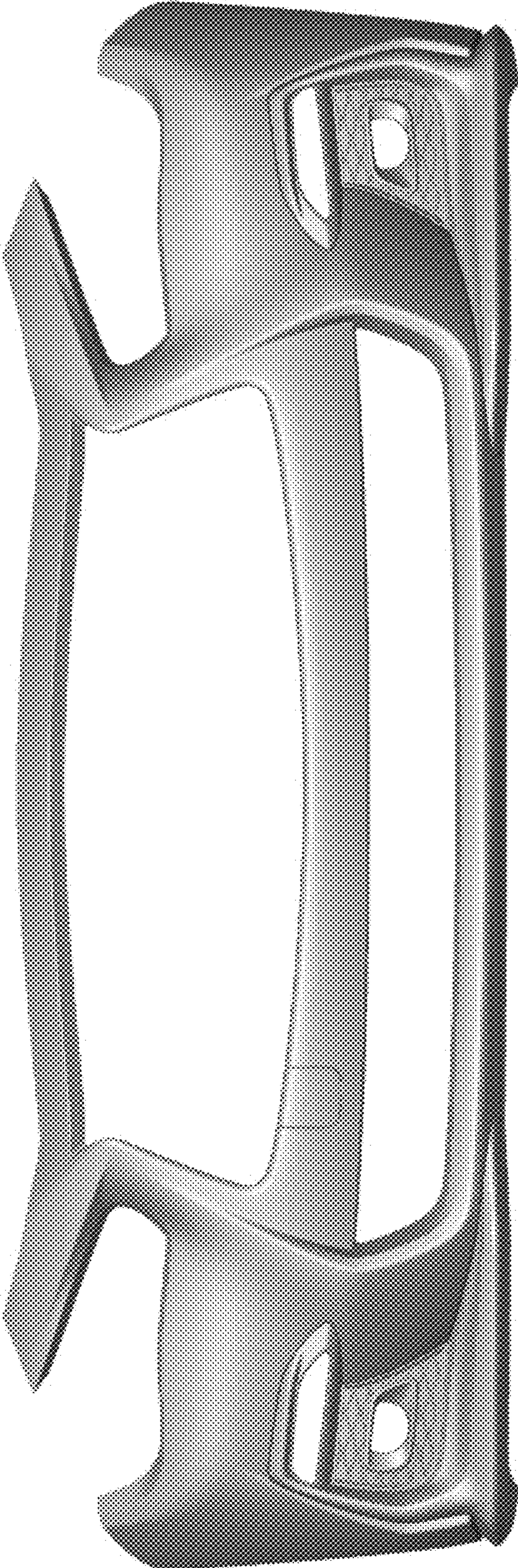


FIG. 1

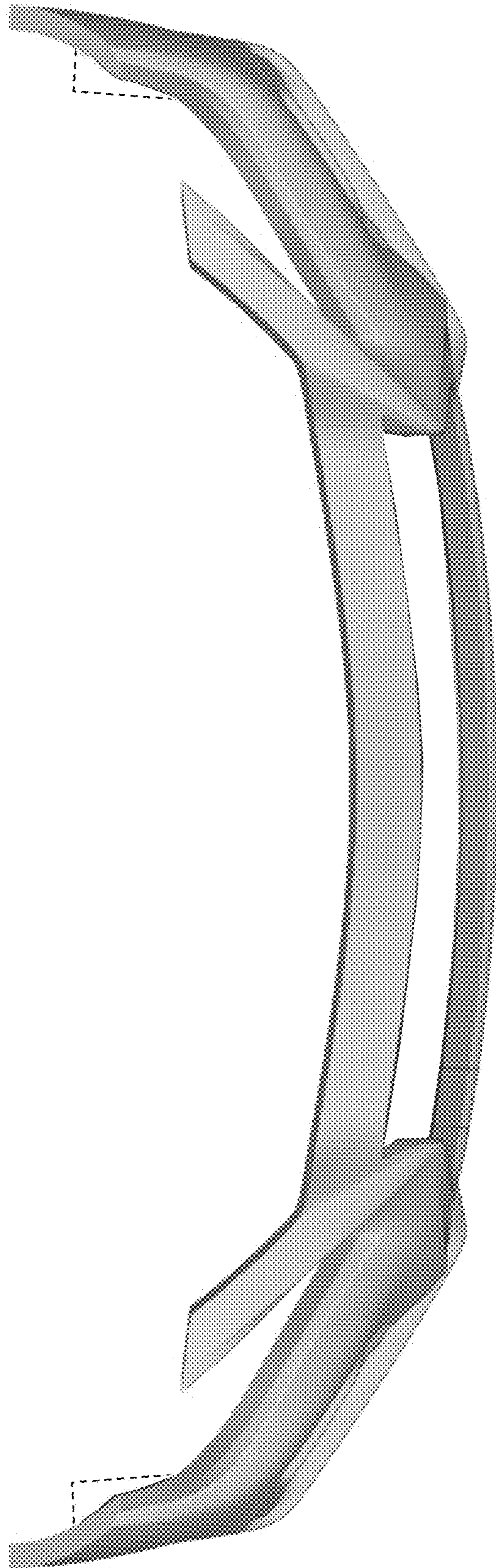


FIG. 2

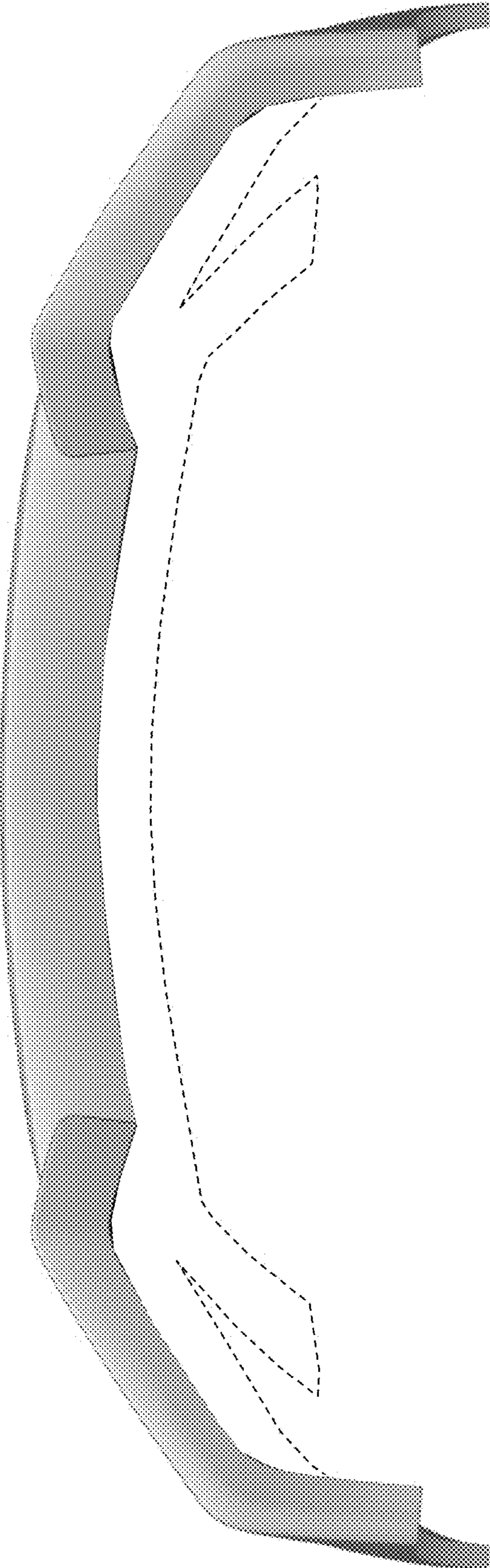


FIG. 3

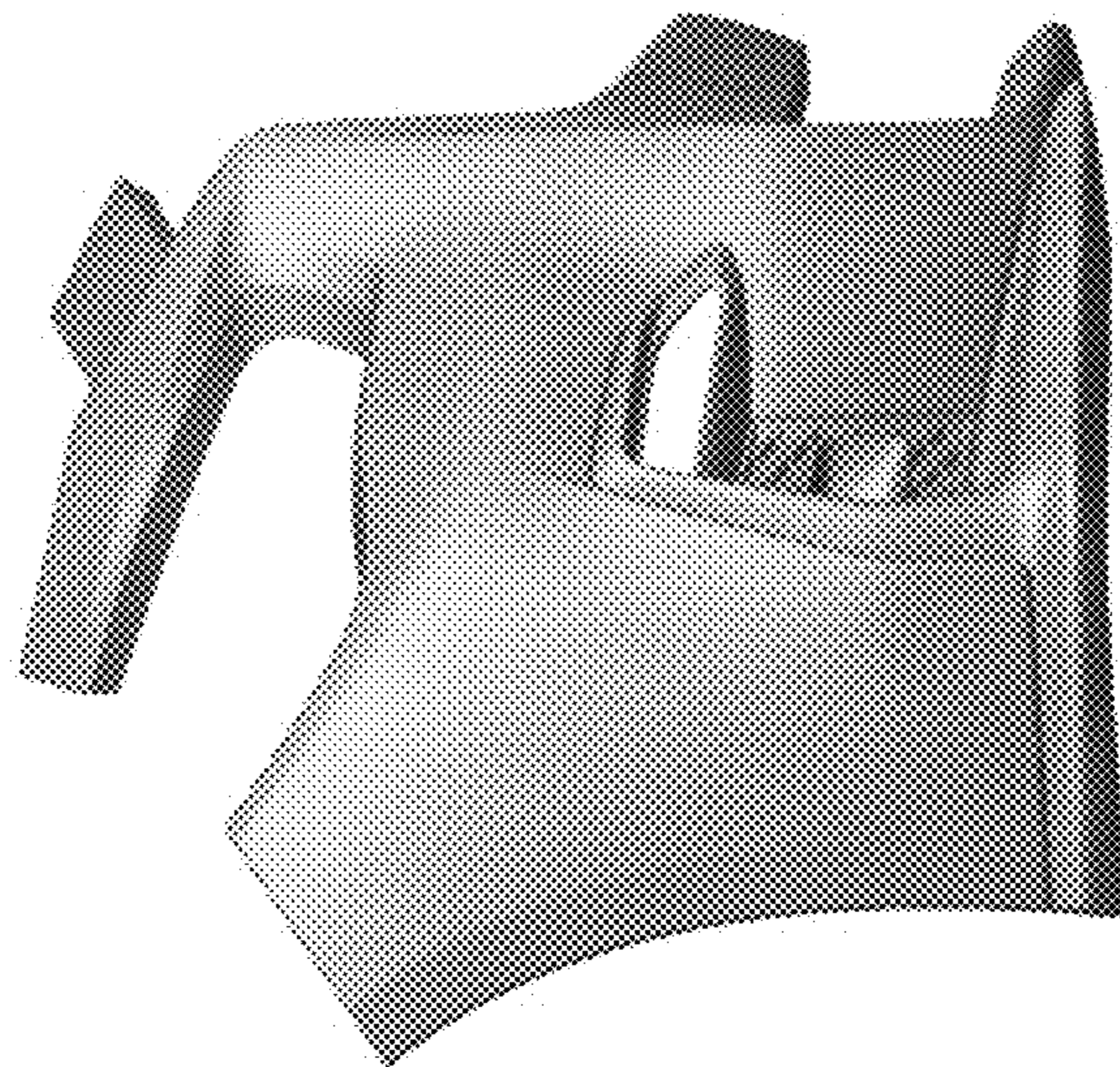


FIG. 4

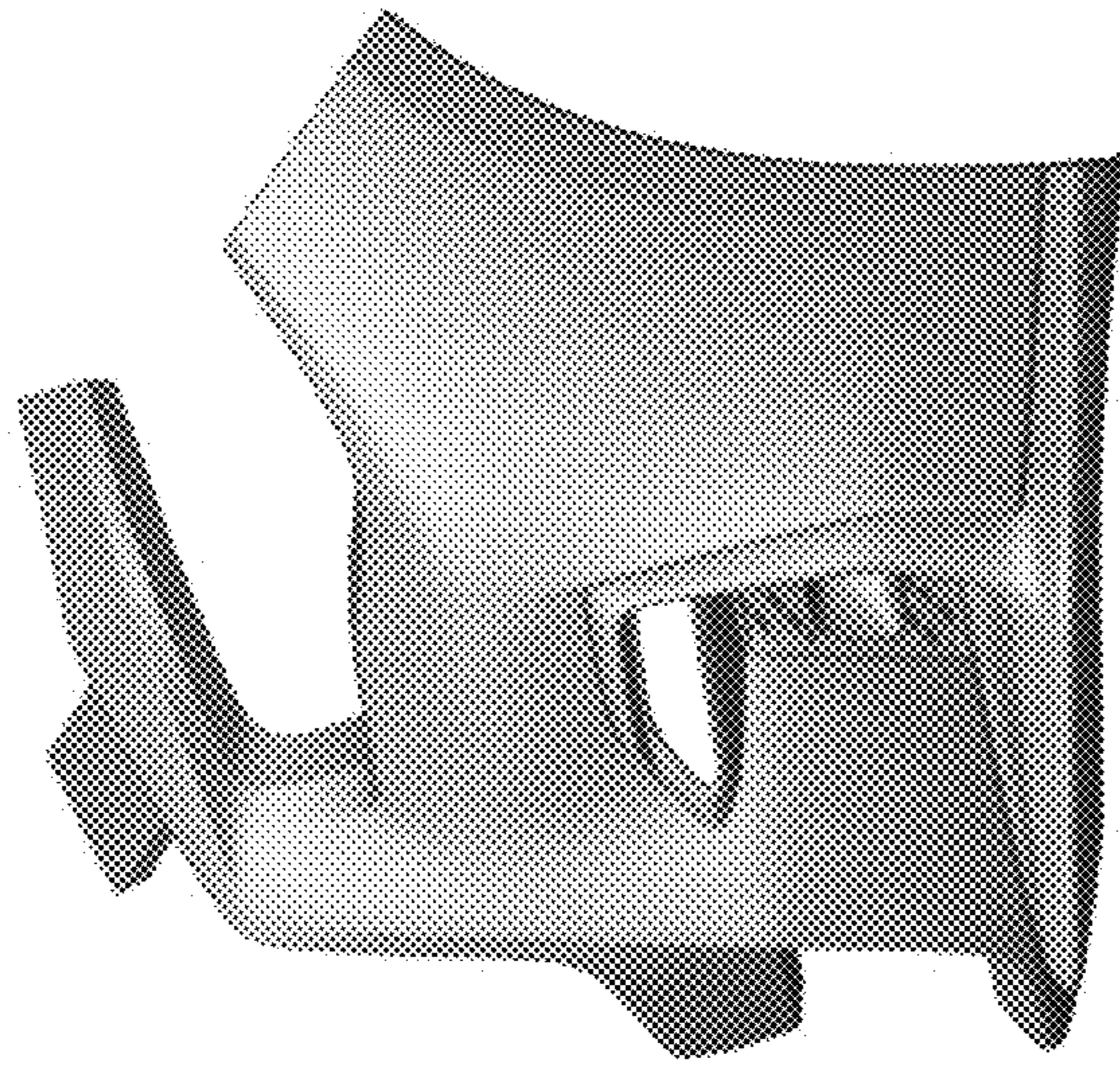


FIG. 5

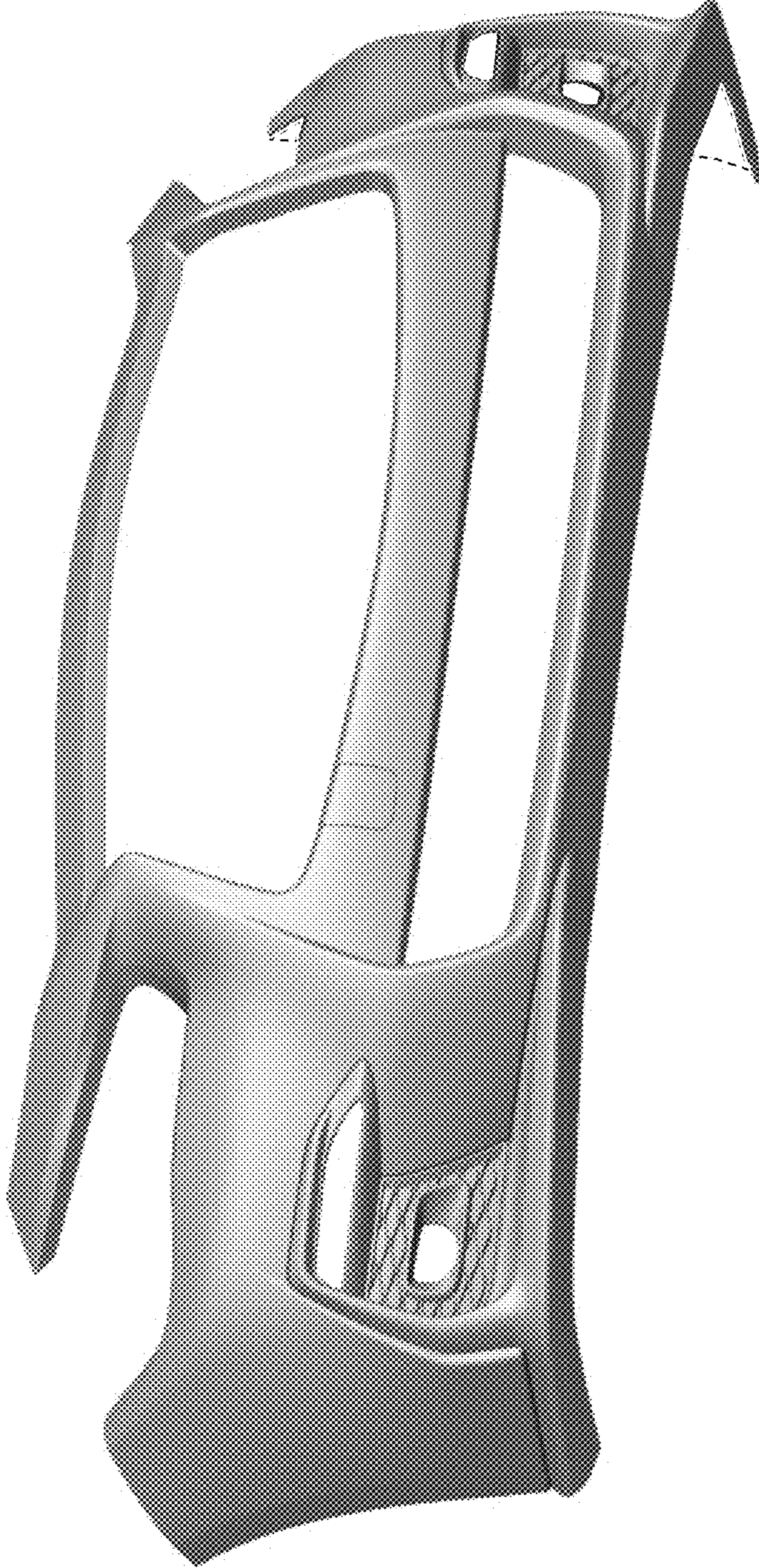


FIG. 6

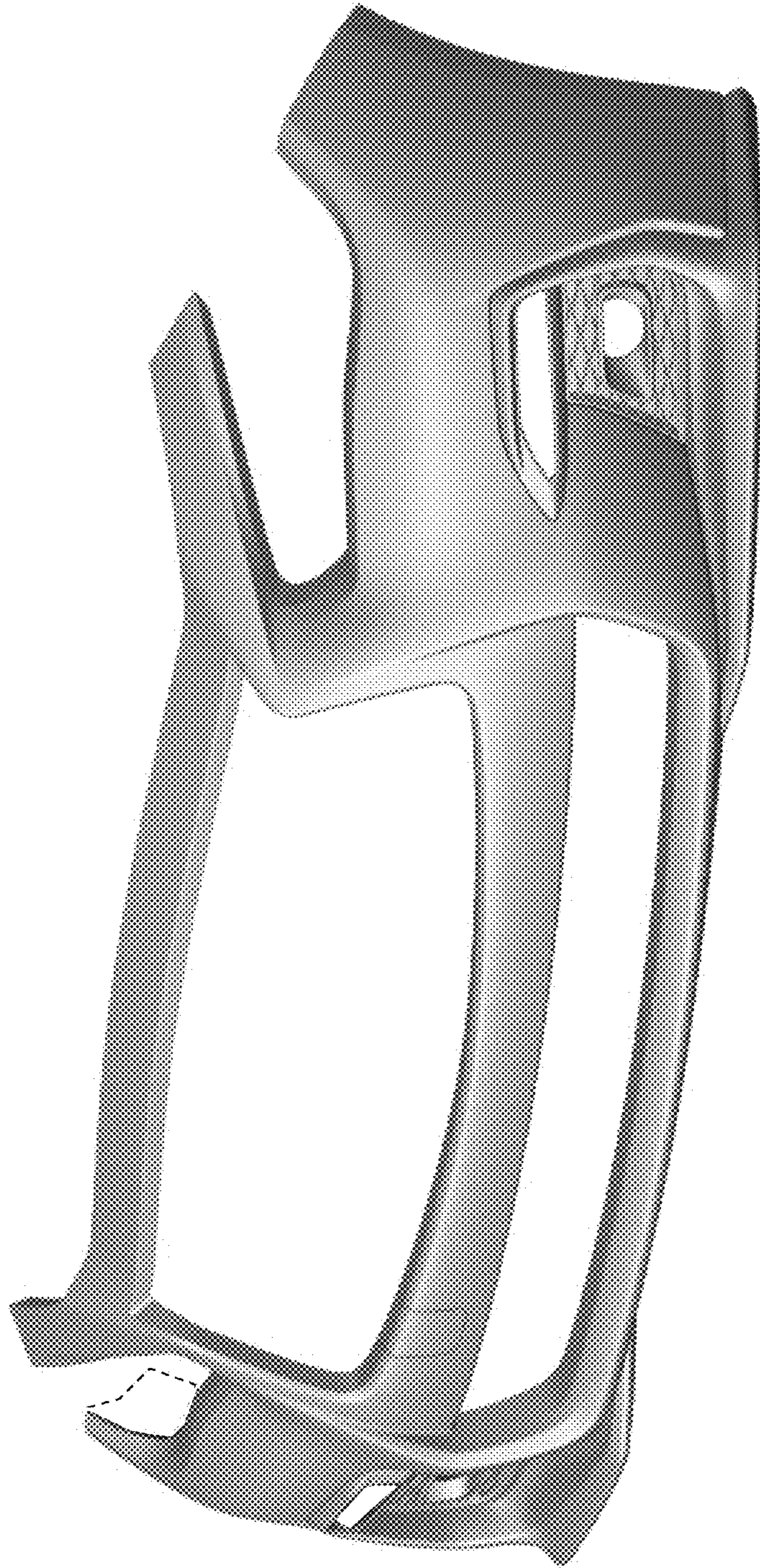


FIG. 7