



US00D827515S

(12) **United States Design Patent**  
**Whang et al.**

(10) **Patent No.:** **US D827,515 S**  
(45) **Date of Patent:** **\*\* Sep. 4, 2018**

(54) **FRONT BUMPER FOR AUTOMOBILE**  
(71) Applicant: **Nissan Motor Co., Ltd.**, Yokohama,  
Kanagawa (JP)  
(72) Inventors: **Seonwook Whang**, Kanagawa (JP);  
**Akio Shimizu**, Tokyo (JP)  
(73) Assignee: **Nissan Motor Co., Ltd.**, Yokohama  
(JP)

D698,710 S \* 2/2014 Endo ..... D12/169  
D699,166 S \* 2/2014 Abe ..... D12/169  
D718,676 S \* 12/2014 Ishizuka ..... D12/169  
D718,677 S \* 12/2014 Whang ..... D12/169  
D749,999 S \* 2/2016 Curic ..... D12/169  
D773,350 S \* 12/2016 Lee ..... D12/169  
D786,748 S \* 5/2017 Hellwig ..... D12/169  
D787,385 S \* 5/2017 Varga ..... D12/169  
D792,297 S \* 7/2017 Komuro ..... D12/169

\* cited by examiner

*Primary Examiner* — Melody N Brown

(\*\*) Term: **15 Years**

(21) Appl. No.: **29/611,152**

(22) Filed: **Jul. 19, 2017**

(30) **Foreign Application Priority Data**

Jan. 20, 2017 (JP) ..... 2017-000841

(51) **LOC (11) Cl.** ..... **12-16**

(52) **U.S. Cl.**  
USPC ..... **D12/169**

(58) **Field of Classification Search**  
USPC .... D12/169, 216, 90-92, 86, 171, 196, 163;  
293/102, 113, 115, 117, 120; 296/180.1,  
296/180.2  
CPC ..... B60R 19/02; B60R 19/04; B62D 25/08  
See application file for complete search history.

(56) **References Cited**

U.S. PATENT DOCUMENTS

D682,168 S \* 5/2013 Fuchigami ..... D12/169  
D682,169 S \* 5/2013 Choi ..... D12/169

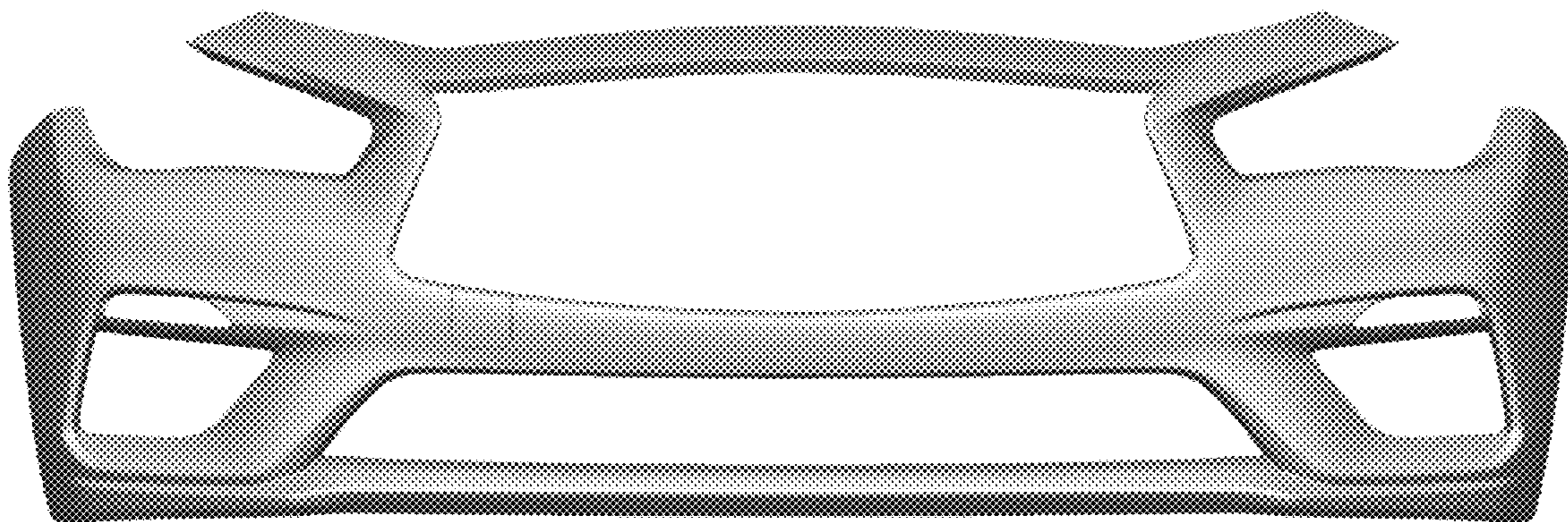
(57) **CLAIM**

The ornamental design for a front bumper for an automobile,  
as shown and described.

**DESCRIPTION**

FIG. 1 is a front elevational view of a front bumper for an automobile in accordance with our new design;  
FIG. 2 is a top plan view thereof;  
FIG. 3 is a bottom plan view thereof;  
FIG. 4 is a left side elevational view thereof;  
FIG. 5 is a right side elevational view thereof;  
FIG. 6 is a bottom, front and left side perspective view thereof; and,  
FIG. 7 is a top, front and right side perspective view thereof.  
The rear view of the front bumper forms no part of the claimed design. The inside surfaces of the front bumper, shown in broken lines in FIGS. 2, 3, 6 and 7, form no part of the claimed design since the inside surfaces are hidden when the front bumper is mounted to the automobile.

**1 Claim, 7 Drawing Sheets**



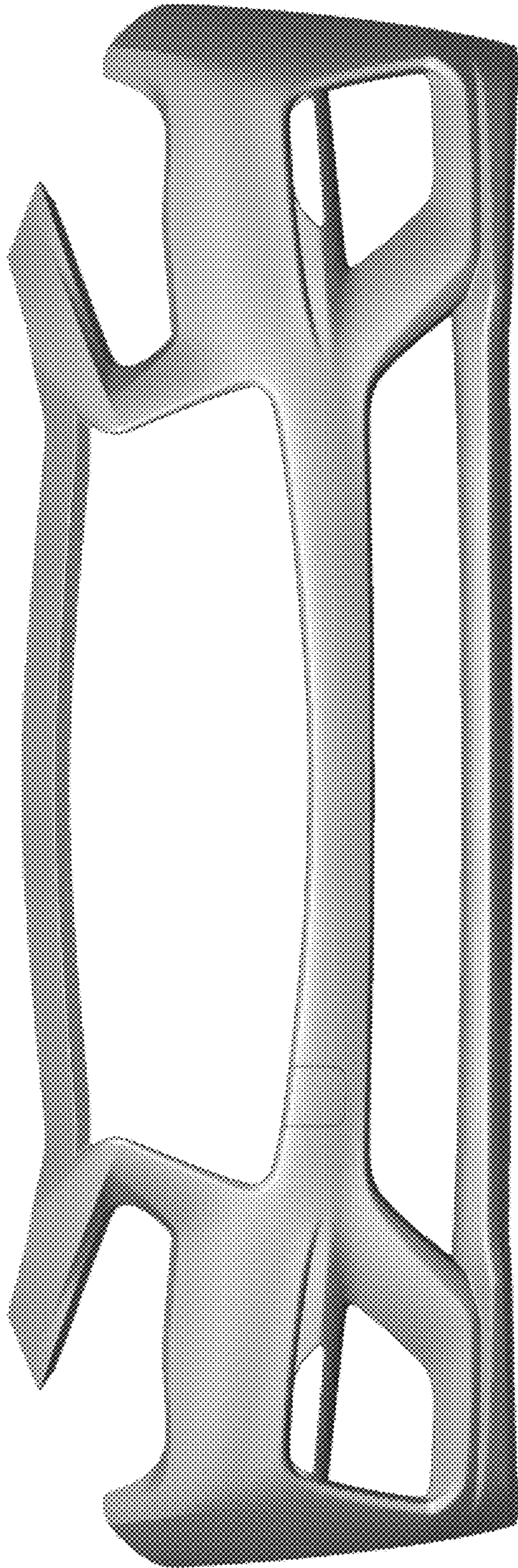


FIG. 1

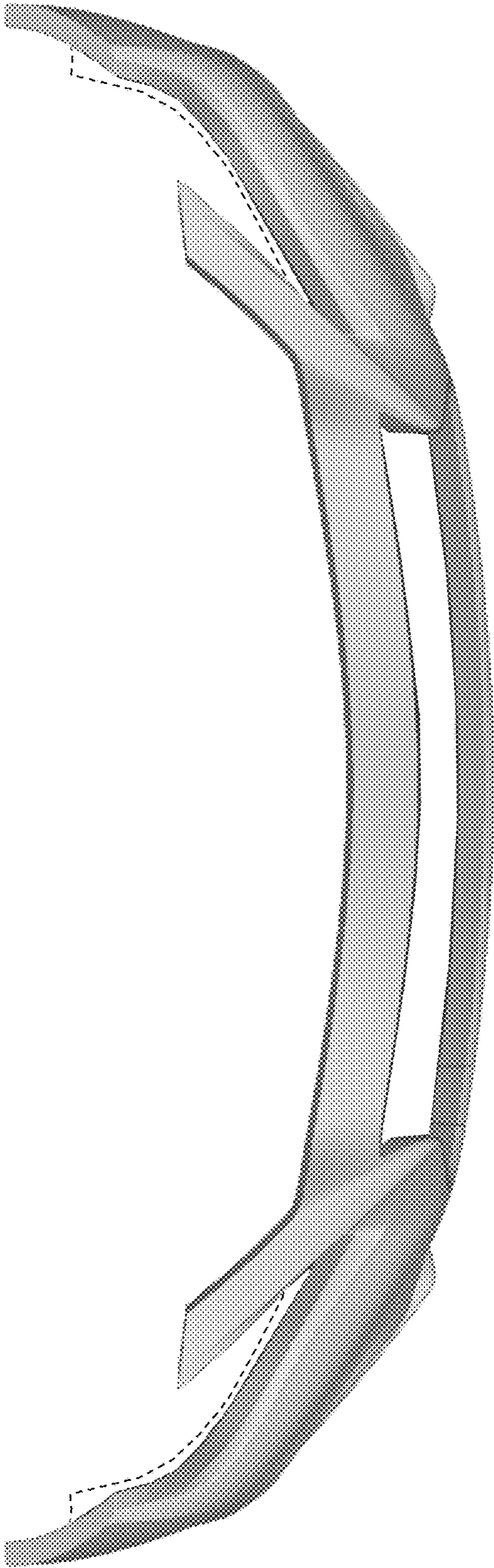


FIG. 2

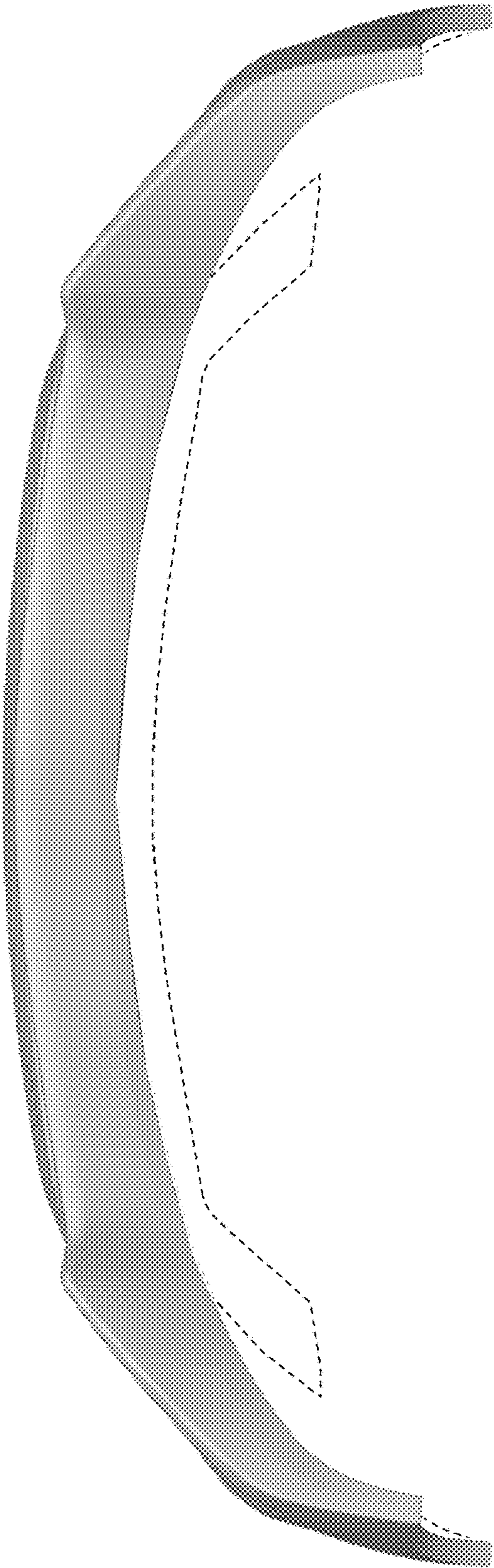


FIG. 3

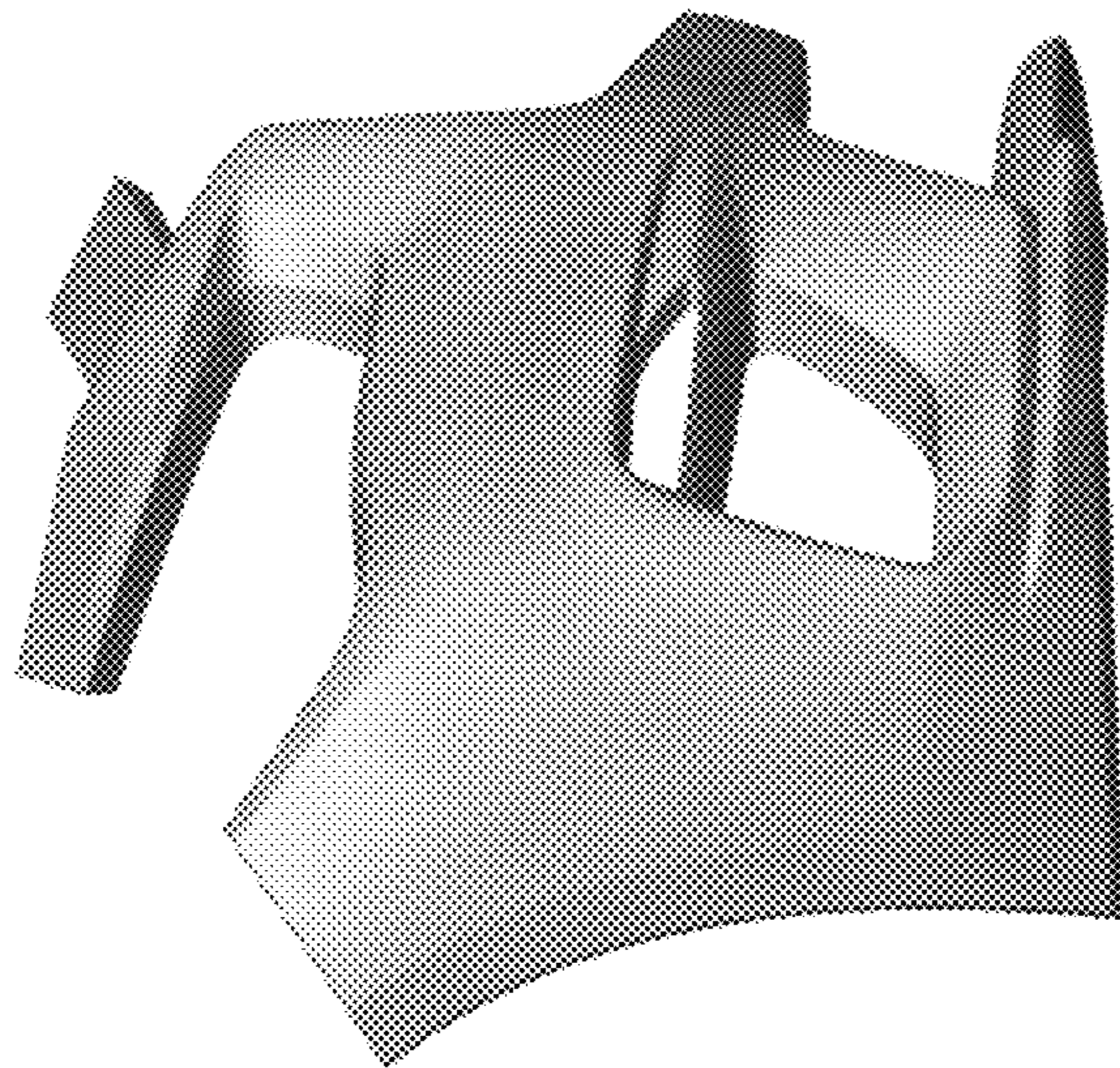


FIG. 4

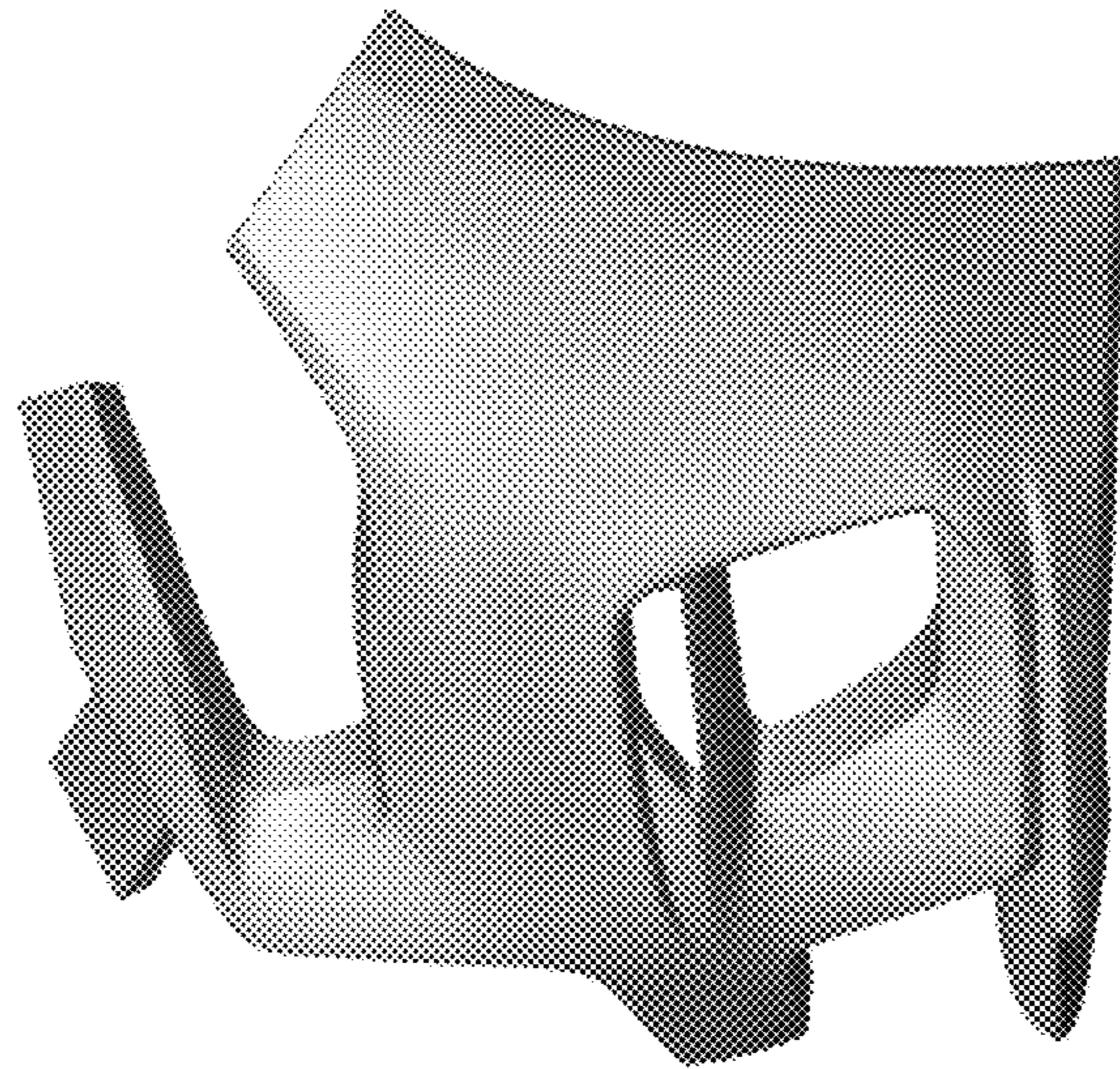


FIG. 5

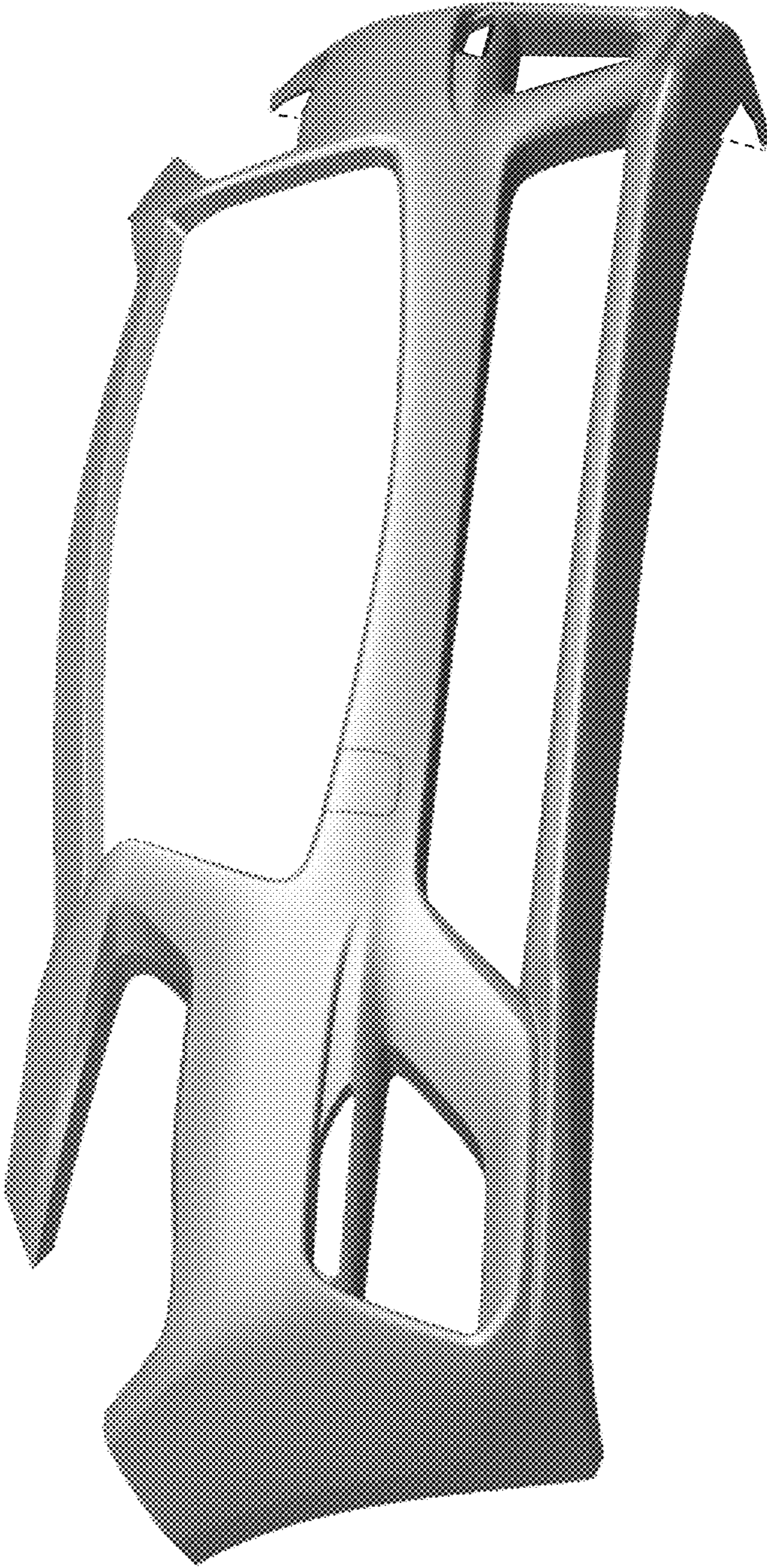


FIG. 6

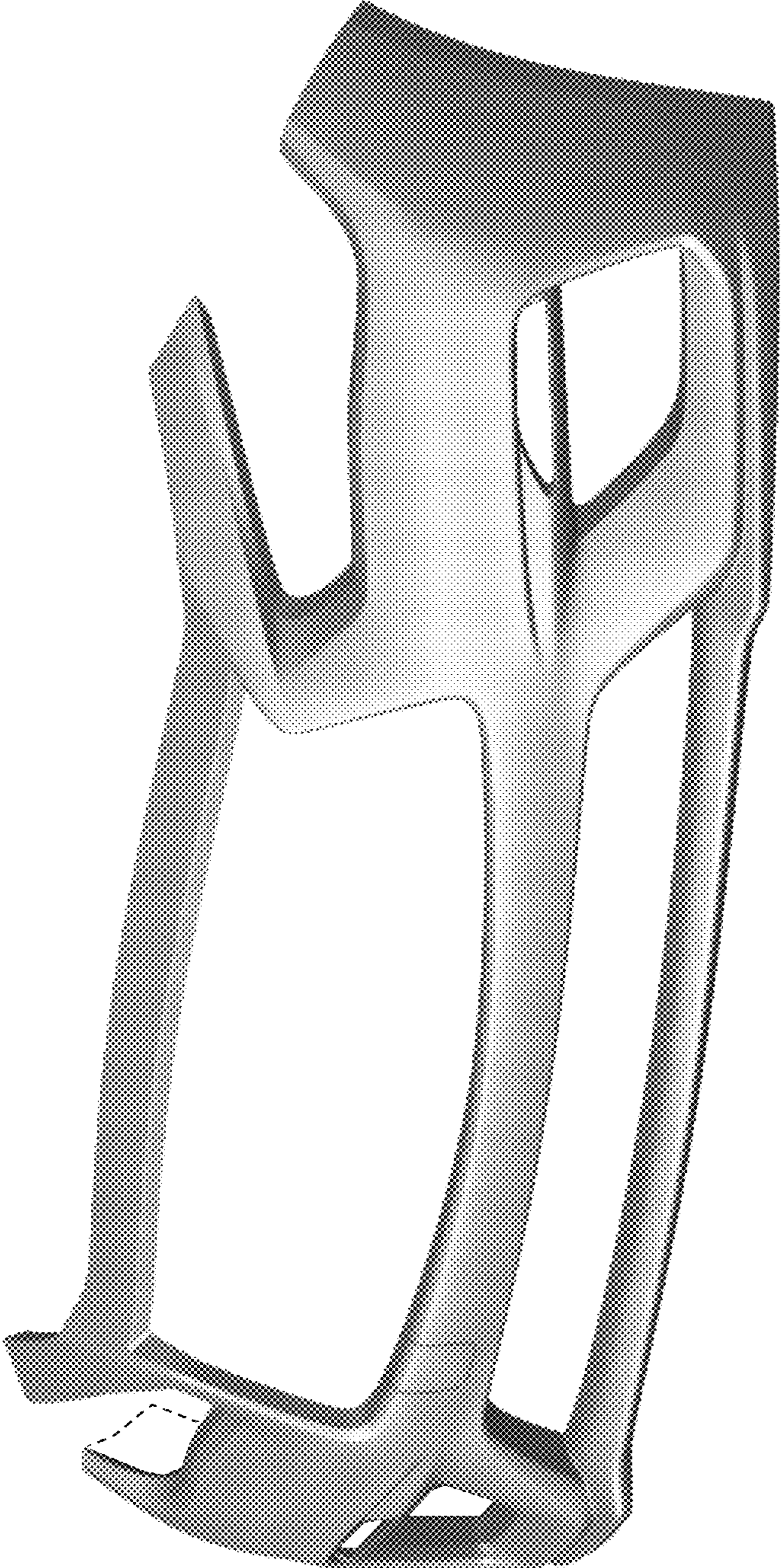


FIG. 7