



US00D827513S

(12) **United States Design Patent** (10) **Patent No.:** **US D827,513 S**
Gueler et al. (45) **Date of Patent:** **** Sep. 4, 2018**

(54) **VEHICLE FRONT LOWER GRILLE**
(71) Applicant: **Ford Global Technologies, LLC**,
Dearborn, MI (US)
(72) Inventors: **Murat Gueler**, Cologne (DE); **Thomas Morel**, Dusseldorf (DE); **Jonathan Szczupak**, Troy, MI (US); **George Saridakis**, Edinburgh (GB); **Joel Piaskowski**, Dusseldorf (DE)
(73) Assignee: **Ford Global Technologies, LLC**,
Dearborn, MI (US)

D698,703 S	2/2014	Rupar	
D698,704 S	2/2014	Rupar	
D703,118 S *	4/2014	Gueler	D12/169
D732,443 S *	6/2015	Won	D12/169
D758,927 S *	6/2016	Messale	D12/163
D769,778 S *	10/2016	Messale	D12/163
D775,009 S *	12/2016	Baum	D12/169
D780,644 S *	3/2017	Kim	D12/163
D780,646 S *	3/2017	Wolff	D12/163
D783,466 S *	4/2017	Svensson	D12/163
D786,743 S *	5/2017	Smith	D12/163
D787,988 S *	5/2017	Lee	D12/163
D788,656 S *	6/2017	Svensson	D12/163
D789,840 S *	6/2017	Curic	D12/163
D791,653 S *	7/2017	Svensson	D12/163
D793,923 S *	8/2017	Katou	D12/169
D803,110 S *	11/2017	Seo	D12/169

(**) Term: **15 Years**

* cited by examiner

(21) Appl. No.: **29/604,351**

Primary Examiner — Susan B Hattan

(22) Filed: **May 17, 2017**

Assistant Examiner — Suzanne E Tisdell

(30) **Foreign Application Priority Data**

(74) *Attorney, Agent, or Firm* — James Dottavio

Nov. 22, 2016 (DE) 40 2016 101 401

(51) **LOC (11) Cl.** **12-06**

(52) **U.S. Cl.**
USPC **D12/163**

(58) **Field of Classification Search**
USPC D12/163, 164, 165, 166, 167, 168, 169,
D12/170, 171, 172, 173, 181
CPC B60K 11/08; B62L 39/16; B60R 19/50;
B62D 25/08
See application file for complete search history.

(56) **References Cited**

U.S. PATENT DOCUMENTS

D598,336 S 8/2009 George
D668,593 S * 10/2012 Imai D12/169

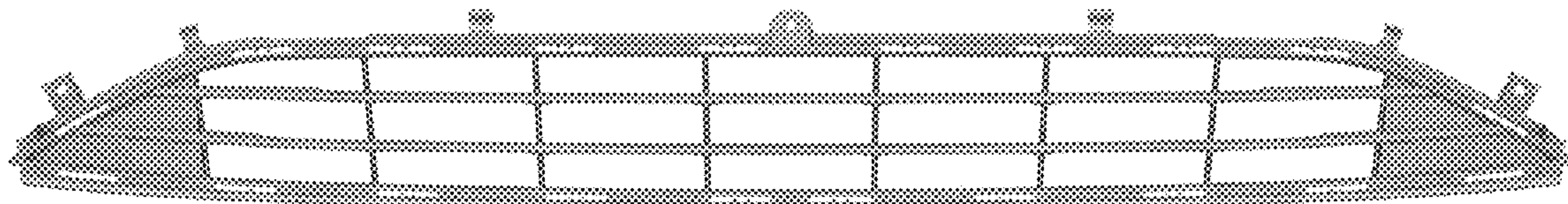
(57) **CLAIM**

The ornamental design for a vehicle front lower grille, as shown.

DESCRIPTION

FIG. 1 is a top and front perspective view of a vehicle front lower grille, showing our new design;
FIG. 2 is a bottom and front perspective view thereof;
FIG. 3 is a top and rear perspective view thereof;
FIG. 4 is a front elevational view thereof;
FIG. 5 is a rear elevational view thereof;
FIG. 6 is a left side elevational view thereof;
FIG. 7 is a right side elevational view thereof;
FIG. 8 is a top plan view thereof; and,
FIG. 9 is a bottom plan view thereof.

1 Claim, 9 Drawing Sheets



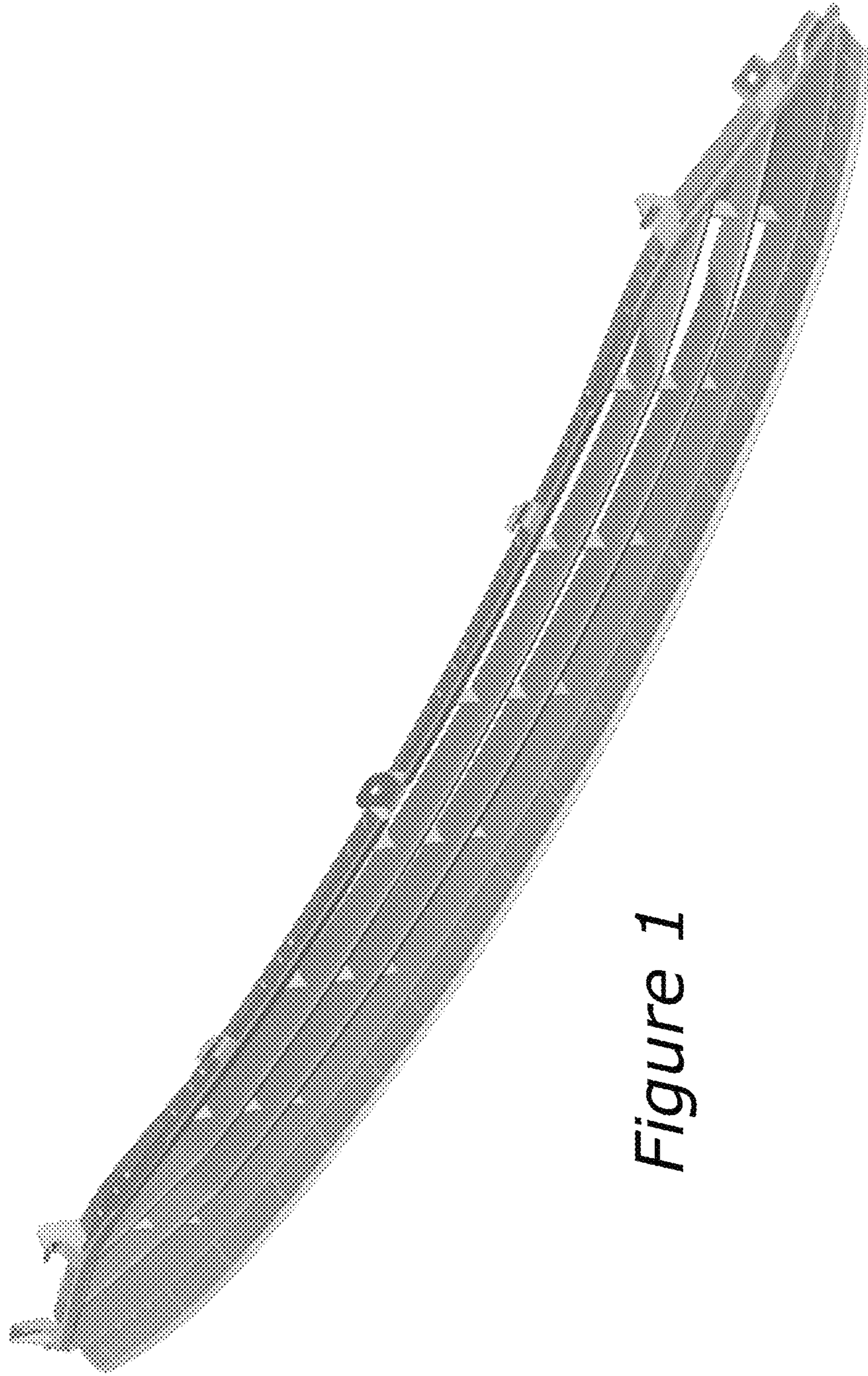


Figure 1

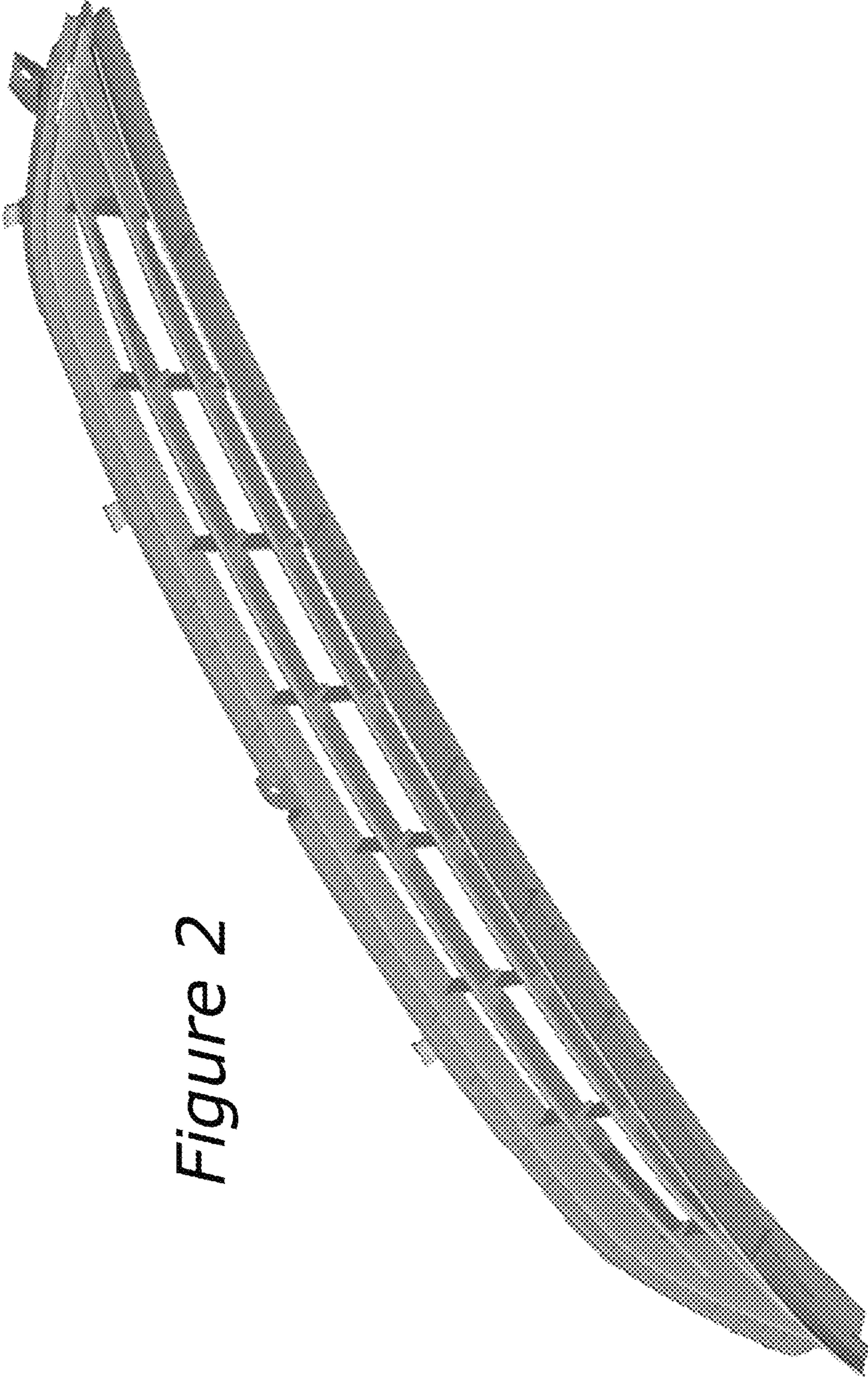


Figure 2

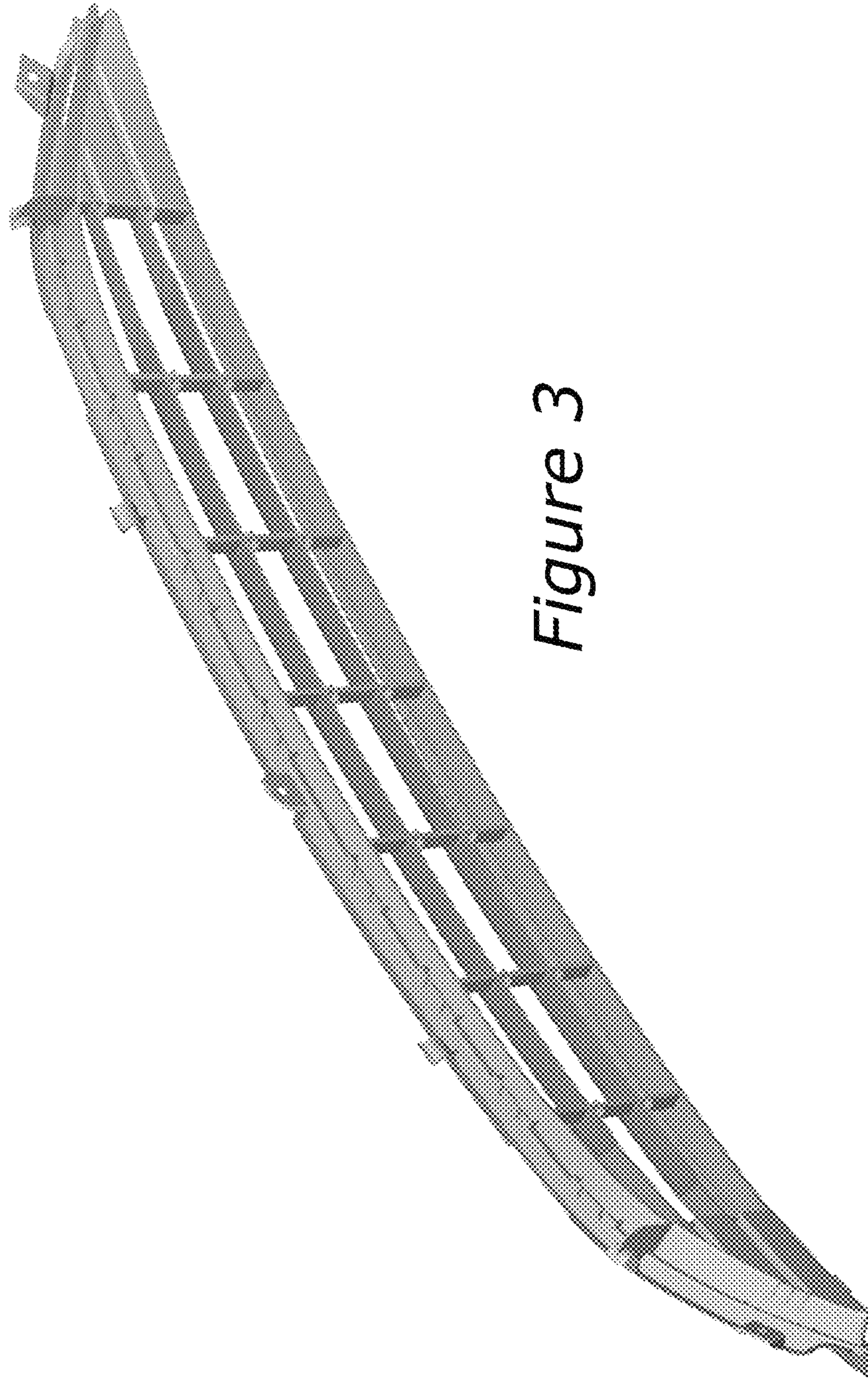


Figure 3

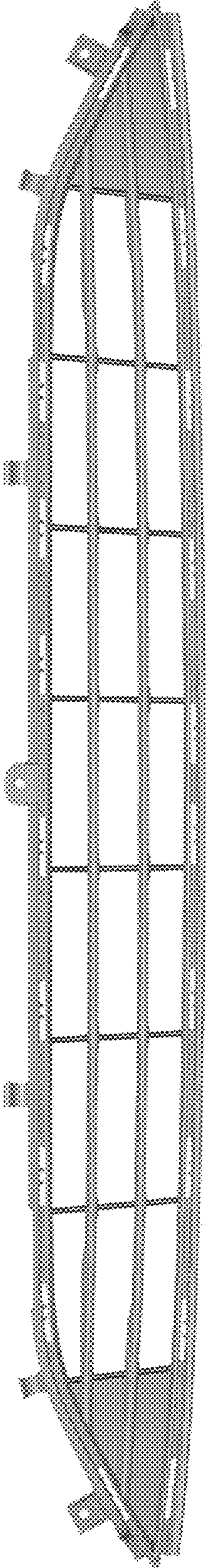


Figure 4

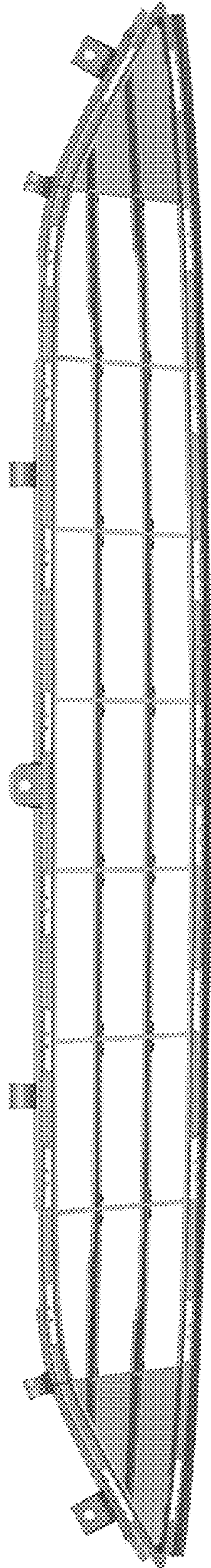


Figure 5

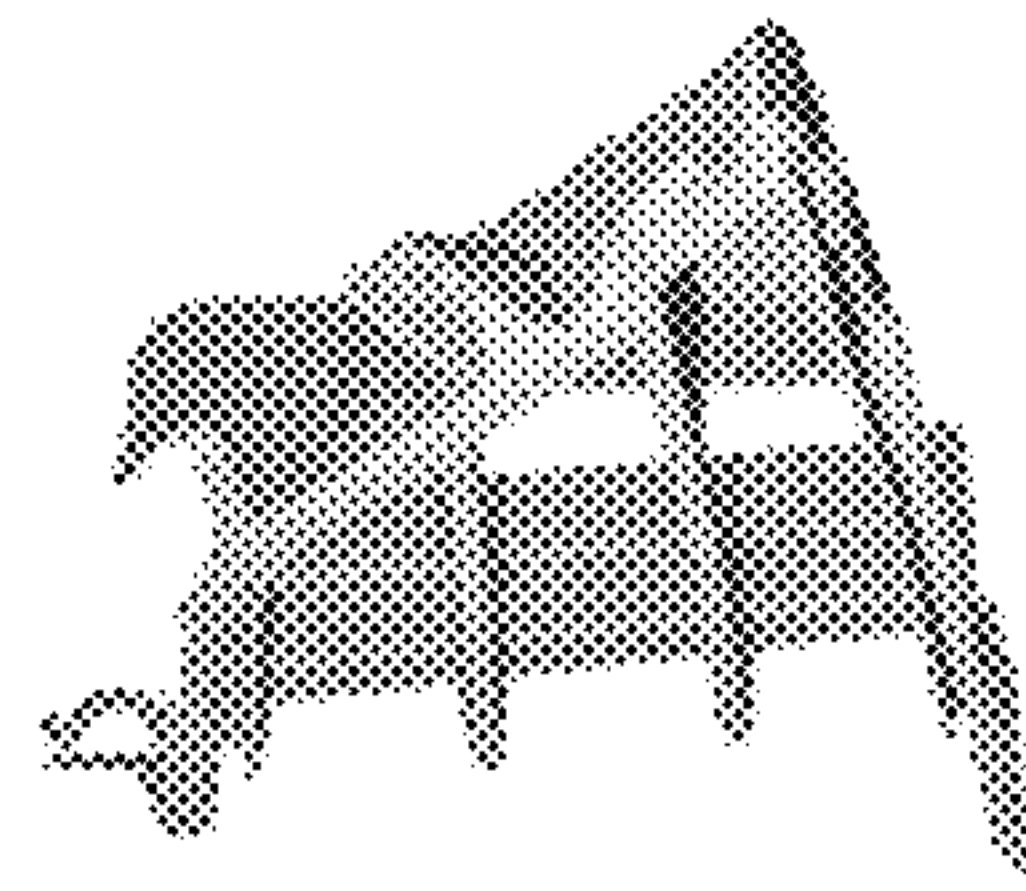


Figure 6

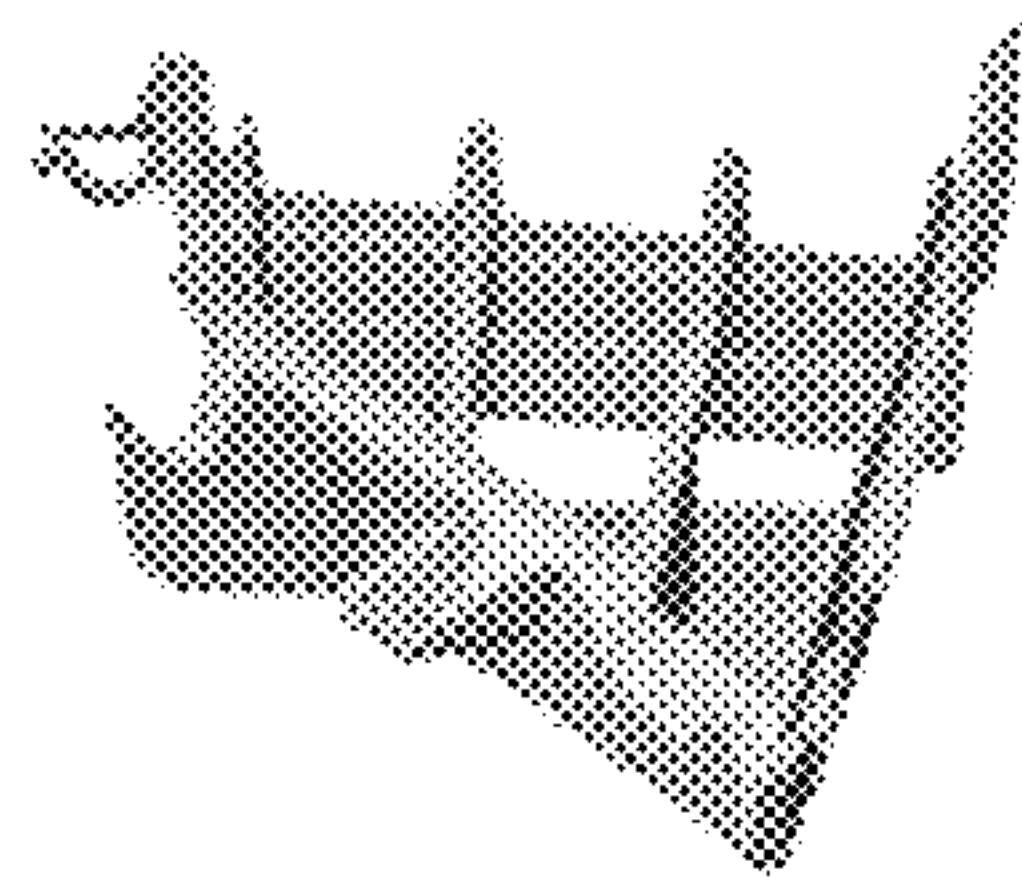


Figure 7

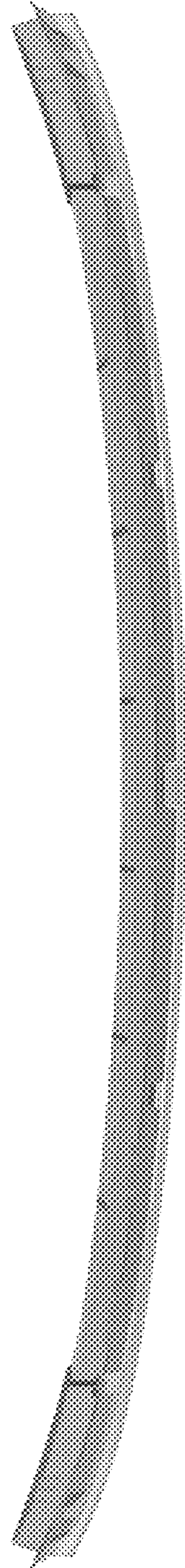


Figure 8

Figure 9

