



US00D827511S

(12) **United States Design Patent**
Woodhouse et al.

(10) **Patent No.:** **US D827,511 S**

(45) **Date of Patent:** **** Sep. 4, 2018**

(54) **VEHICLE FRONT LOWER GRILLE**

(71) Applicant: **Ford Global Technologies, LLC,**
Dearborn, MI (US)

(72) Inventors: **David Woodhouse,** Troy, MI (US);
Earl Lucas, Southfield, MI (US);
Jaewoo Chang, Novi, MI (US);
Nonthawat Kongsari, Melbourne (AU)

(73) Assignee: **Ford Global Technologies, LLC,**
Dearborn, MI (US)

(**) Term: **15 Years**

(21) Appl. No.: **29/597,061**

(22) Filed: **Mar. 14, 2017**

(51) **LOC (11) Cl.** **12-16**

(52) **U.S. Cl.**
USPC **D12/163**

(58) **Field of Classification Search**
USPC D12/163, 164, 165, 166, 167, 168, 169,
D12/170, 171, 172, 173, 181
CPC B60K 11/08; B62L 39/16; B60R 19/50;
B62D 25/08
See application file for complete search history.

(56) **References Cited**

U.S. PATENT DOCUMENTS

D668,593 S * 10/2012 Imai D12/169
D703,118 S * 4/2014 Gueler D12/169
D726,597 S 4/2015 Wolff et al.
D732,443 S * 6/2015 Won D12/169

D758,927 S * 6/2016 Messale D12/163
D769,778 S * 10/2016 Messale D12/163
D775,009 S * 12/2016 Baum D12/169
D780,644 S * 3/2017 Kim D12/163
D780,646 S * 3/2017 Wolff D12/163
D783,466 S * 4/2017 Svensson D12/163
D786,743 S * 5/2017 Smith D12/163
D787,988 S * 5/2017 Lee D12/163
D788,656 S * 6/2017 Svensson D12/163
D789,840 S * 6/2017 Curic D12/163
D791,653 S * 7/2017 Svensson D12/163
D793,923 S * 8/2017 Katou D12/169
D803,110 S * 11/2017 Seo D12/169

* cited by examiner

Primary Examiner — Susan B Hattan

Assistant Examiner — Suzanne E Tisdell

(74) *Attorney, Agent, or Firm* — James Dottavio

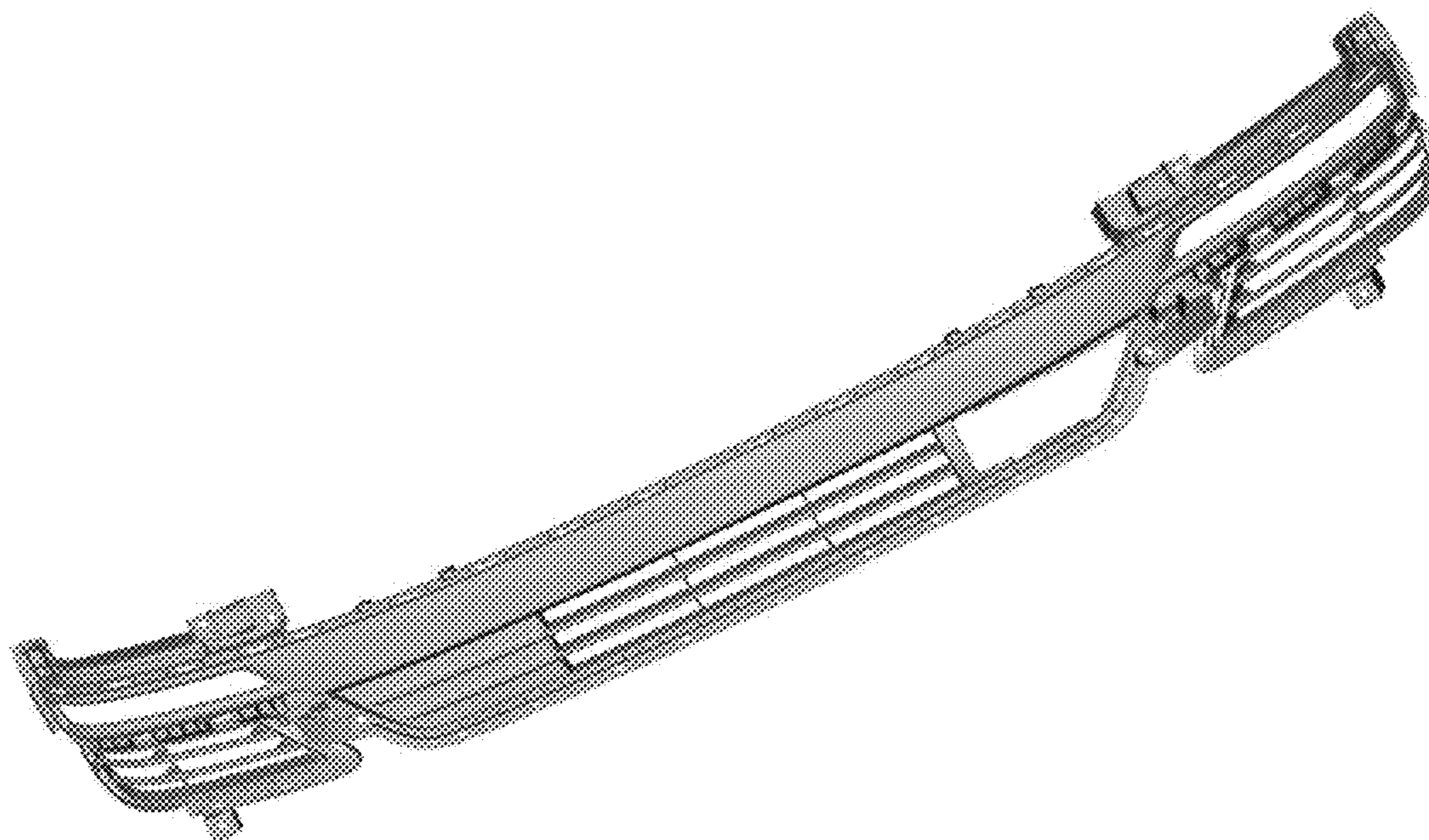
(57) **CLAIM**

The ornamental design for a vehicle front lower grille, as shown.

DESCRIPTION

FIG. 1 is a top and front perspective view of a vehicle front lower grille, showing our new design;
FIG. 2 is a bottom and front perspective view thereof;
FIG. 3 is a top and rear perspective view thereof;
FIG. 4 is a front elevational view thereof;
FIG. 5 is a rear elevational view thereof;
FIG. 6 is a left side elevational view thereof;
FIG. 7 is a right side elevational view thereof;
FIG. 8 is a top plan view thereof; and,
FIG. 9 is a bottom plan view thereof.

1 Claim, 9 Drawing Sheets



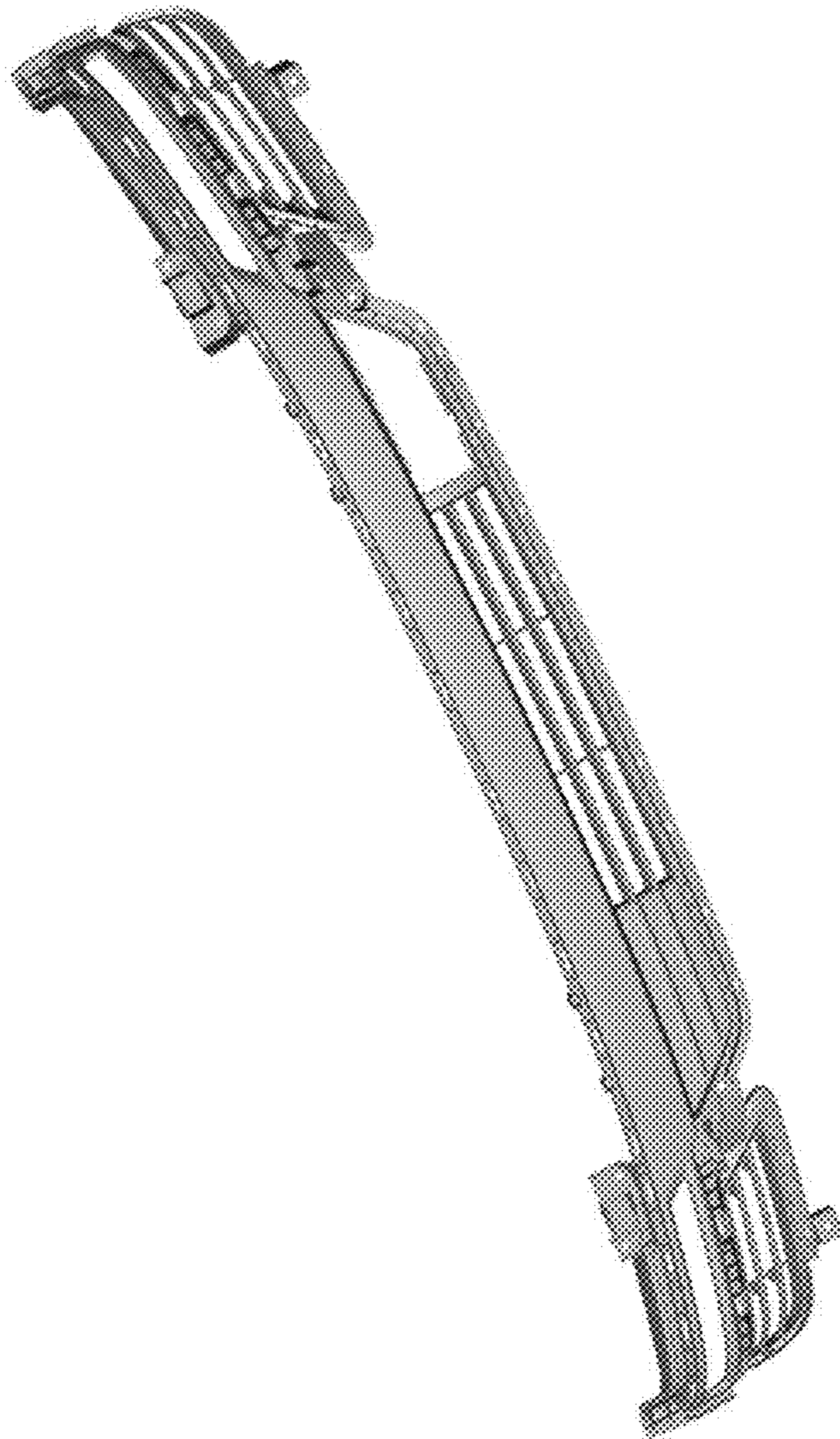


Figure 1

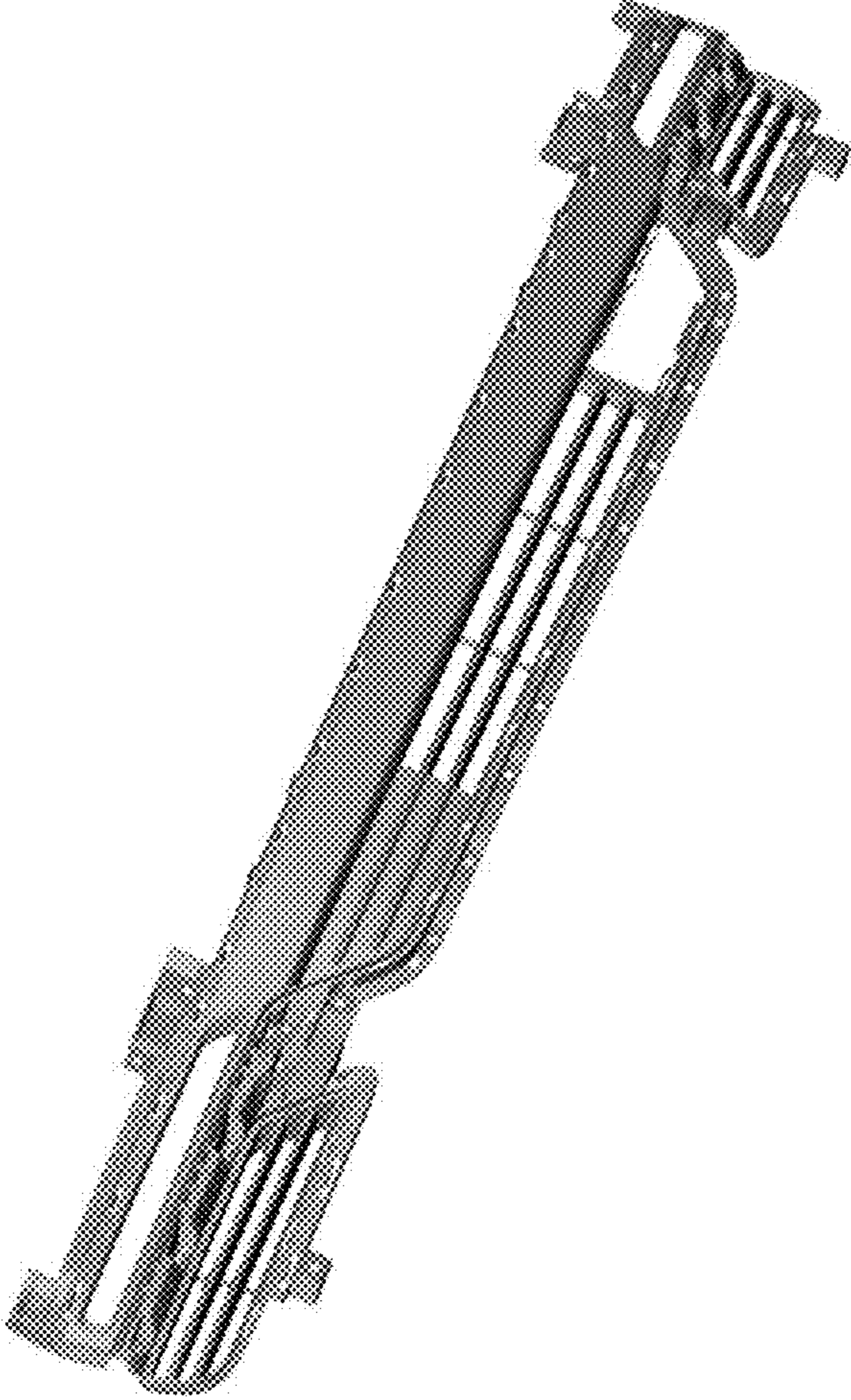


Figure 2

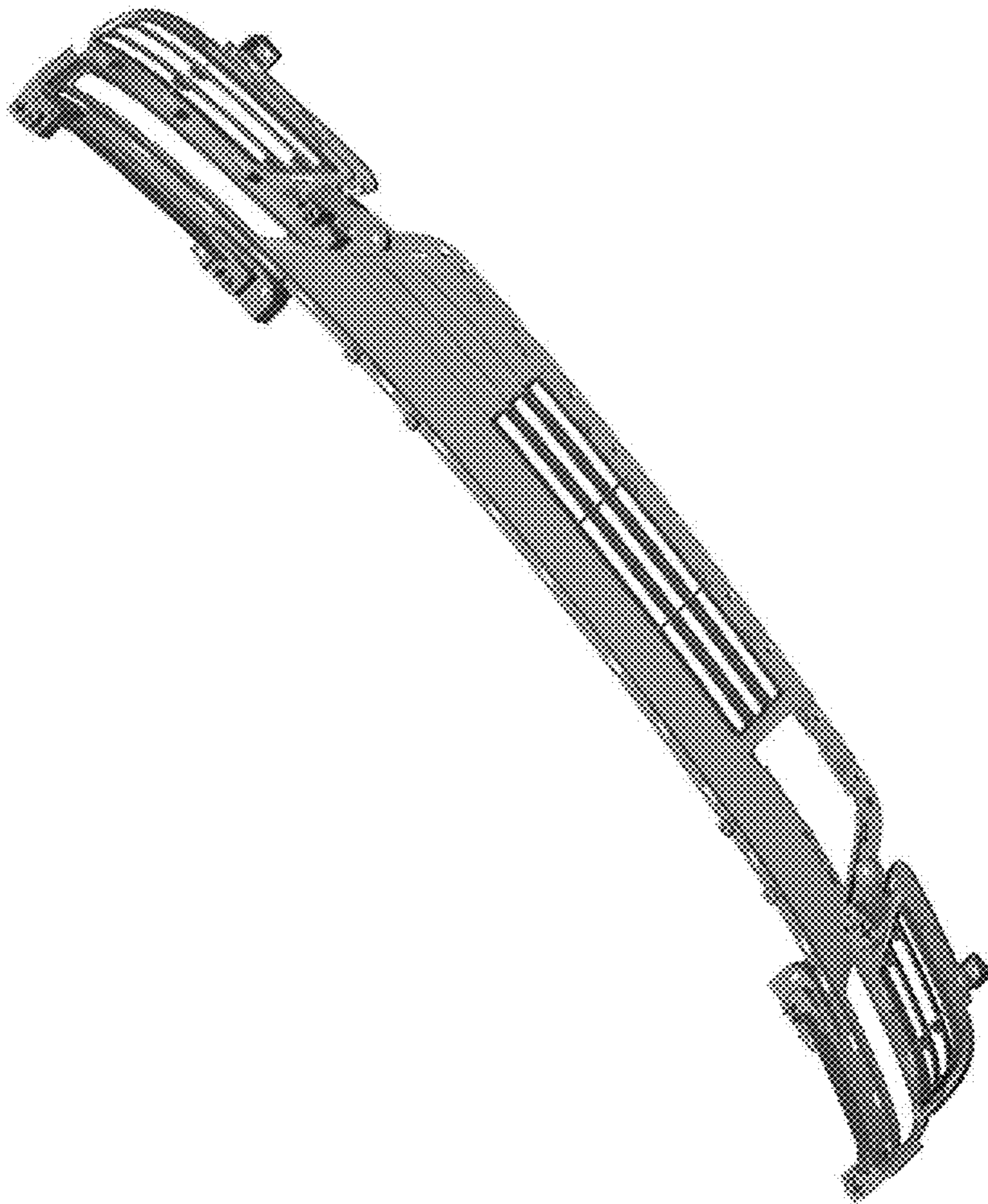


Figure 3

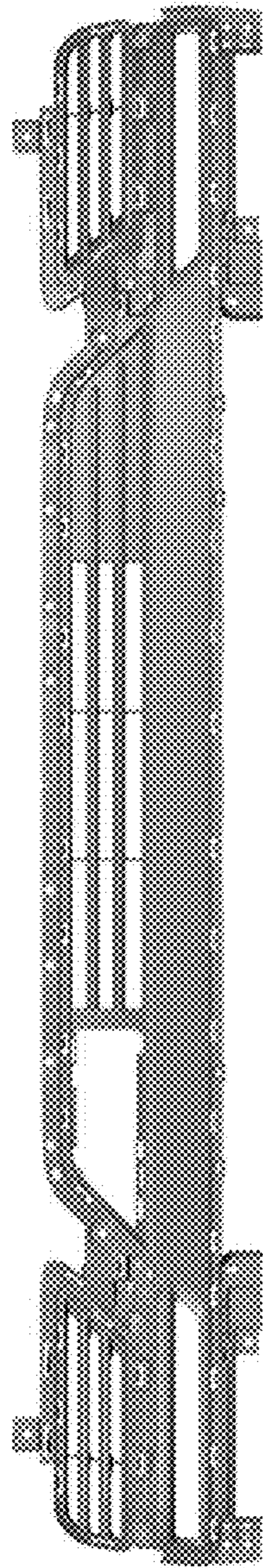


Figure 4

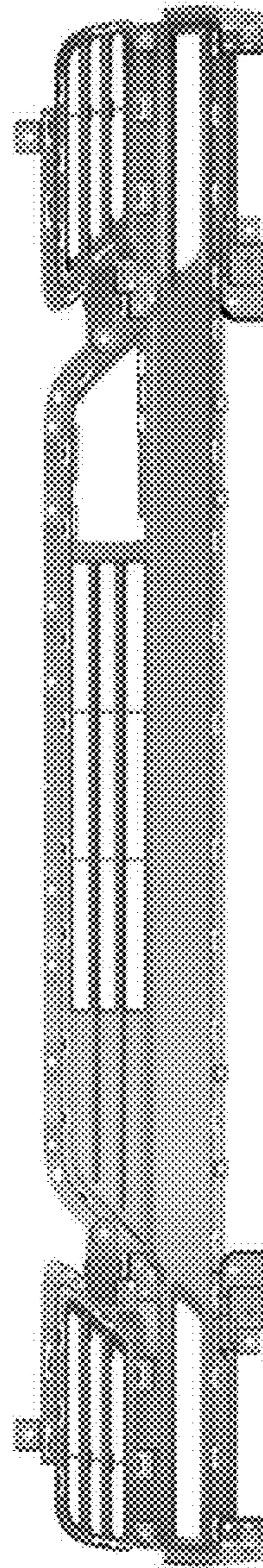


Figure 5

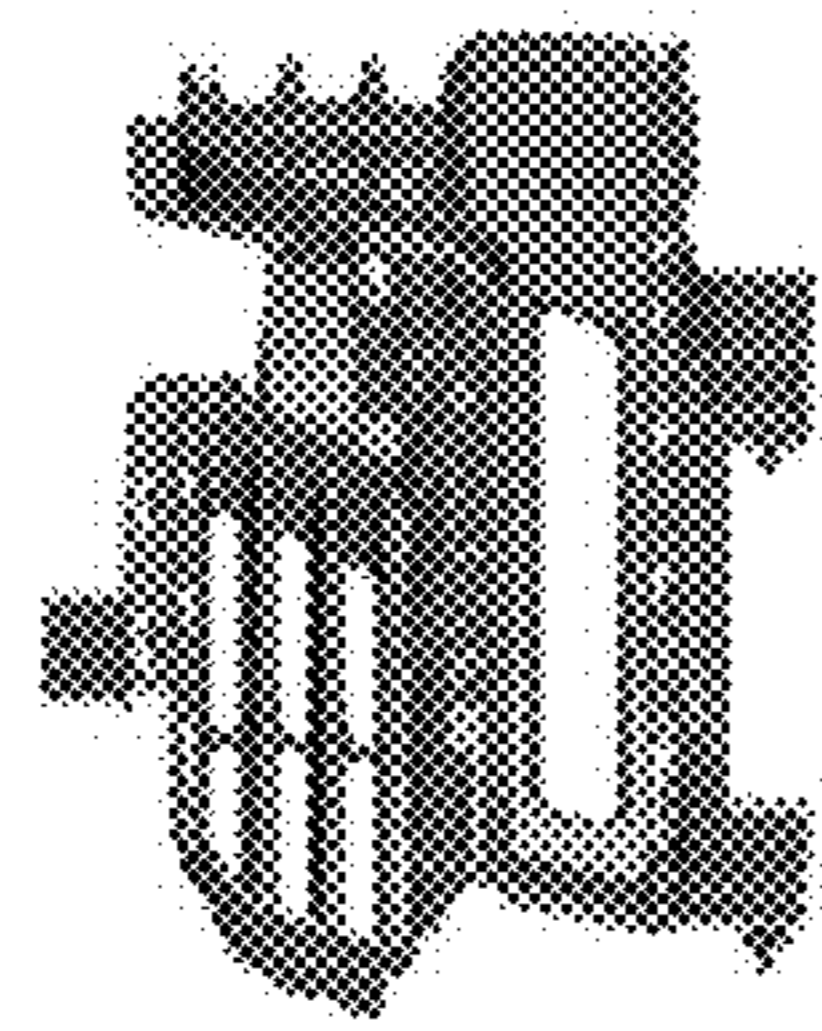


Figure 6

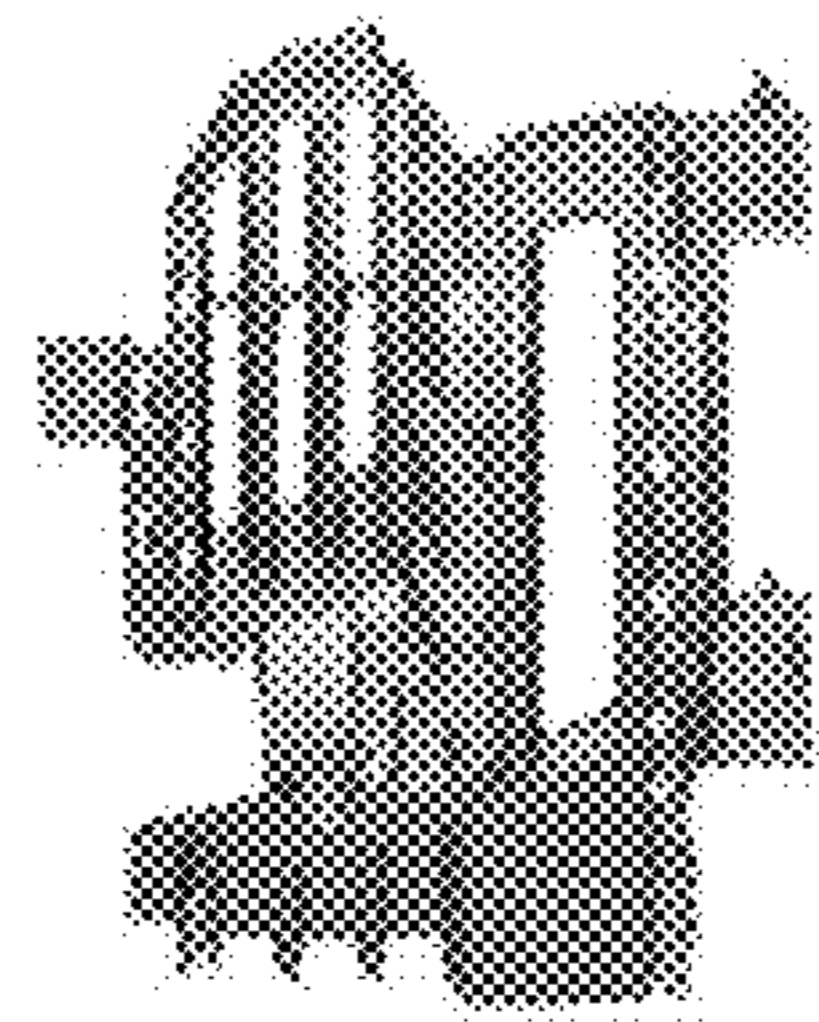


Figure 7



Figure 8



Figure 9