



US00D827507S

(12) **United States Design Patent**
Nurnberger et al.

(10) **Patent No.:** **US D827,507 S**
(45) **Date of Patent:** **** Sep. 4, 2018**

(54) **GRILLE FOR AUTOMOBILE OR REPLICA THEREOF**

D670,640 S 11/2012 Reichman et al.
D687,348 S 8/2013 Nurnberger
D689,812 S 9/2013 Reichman et al.
D692,800 S 11/2013 Wiltshire
D701,794 S * 4/2014 Fetherston D12/91
(Continued)

(71) Applicant: **Aston Martin Lagonda Limited**,
Warwick (GB)

(72) Inventors: **Miles Nurnberger**, Warwick (GB);
Sam Holgate, Warwick (GB)

FOREIGN PATENT DOCUMENTS

(73) Assignee: **Aston Martin Lagonda Limited** (GB)

DE 2727517 A1 12/1978
DE 4321969 A1 2/1994
(Continued)

(**) Term: **15 Years**

OTHER PUBLICATIONS

(21) Appl. No.: **29/589,583**

U.S. Appl. No. 29/542,940, filed Oct. 19, 2015, Kahn.
(Continued)

(22) Filed: **Jan. 3, 2017**

(30) **Foreign Application Priority Data**

Jul. 5, 2016 (EM) 003295096-0001
Jul. 5, 2016 (EM) 003295096-0003
Jul. 5, 2016 (EM) 003295096-0004

Primary Examiner — Susan Bennett Hattan
Assistant Examiner — Suzanne E Tisdell
(74) *Attorney, Agent, or Firm* — Dorsey & Whitney LLP

(51) **LOC (11) Cl.** **12-16**

(57) **CLAIM**

(52) **U.S. Cl.**
USPC **D12/163**

The ornamental design for a grille for automobile or replica thereof, as shown and described.

(58) **Field of Classification Search**
USPC D12/86, 90, 91, 92, 163, 169, 196, 171,
D12/216
CPC . B60R 19/52; B60R 2019/525; B60K 11/085;
B62D 25/084; H01Q 1/32
See application file for complete search history.

DESCRIPTION

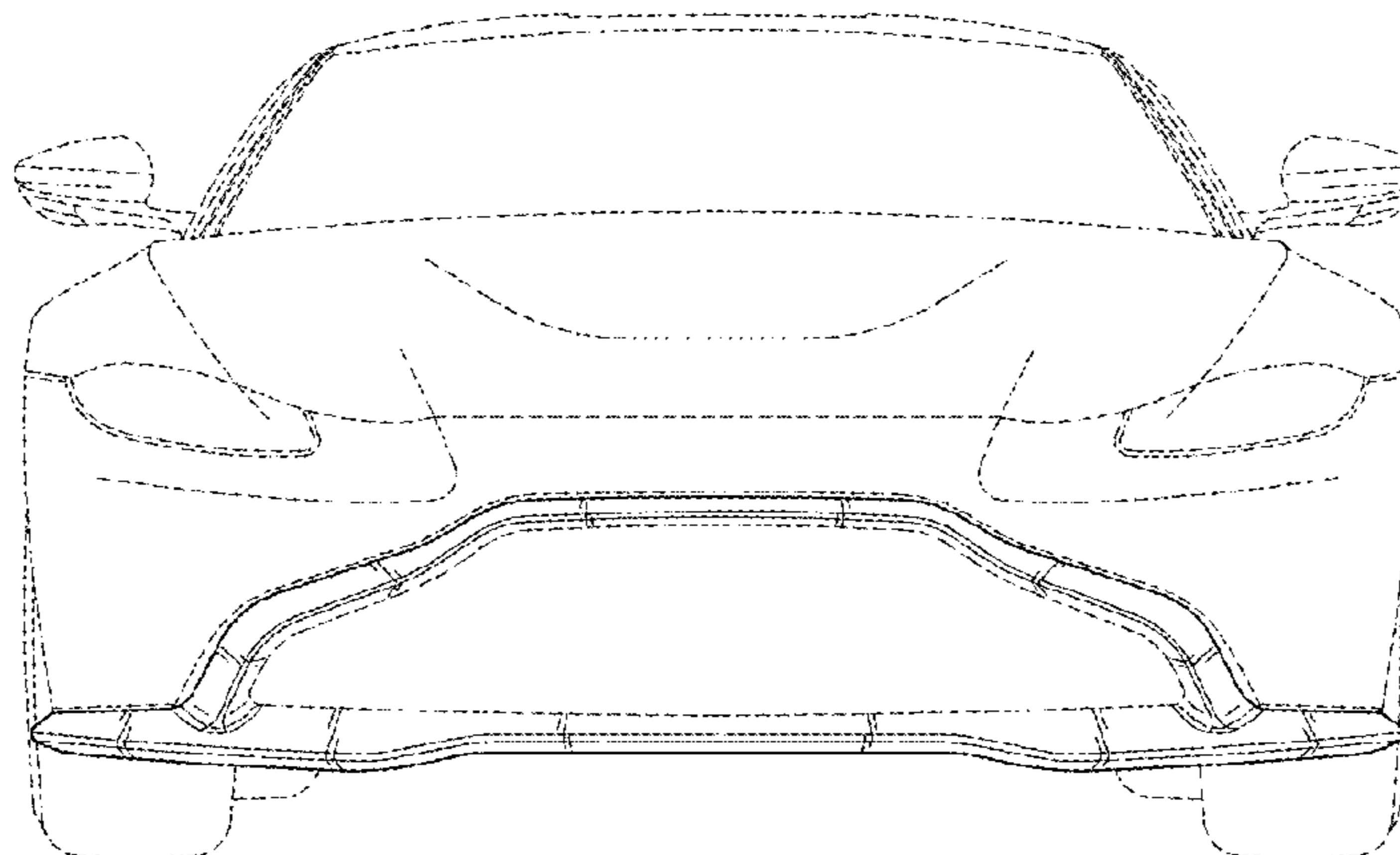
(56) **References Cited**

U.S. PATENT DOCUMENTS

D620,396 S 7/2010 Reichman et al.
D626,466 S 11/2010 Reichman et al.
D629,718 S 12/2010 Reichman et al.
D629,719 S 12/2010 Reichman et al.
D629,725 S 12/2010 Reichman et al.
D630,140 S 1/2011 Reichman et al.
D637,112 S * 5/2011 Saracoglu D12/92
D663,239 S * 7/2012 Saracoglu D12/92

FIG. 1 is a front elevation view of a grille for automobile or replica thereof in accordance with the present design;
FIG. 2 is a top plan view thereof;
FIG. 3 is a left side elevation view thereof;
FIG. 4 is a right side elevation view thereof; and,
FIG. 5 is a perspective view thereof.
The broken lines show an automobile for environment and form no part of the claimed design.
Any combination of the illustrated features may be claimed in this application or a continuing application claiming priority to this application by converting any of the solid lines to broken lines, any of the broken lines to solid lines, or any combination thereof.

1 Claim, 5 Drawing Sheets



(56)

References Cited

U.S. PATENT DOCUMENTS

D704,102 S	5/2014	Nurnberger	
D704,601 S	5/2014	Nurnberger	
D721,299 S *	1/2015	Fetherston	D12/92
D726,079 S	4/2015	Reichman et al.	
D727,209 S *	4/2015	Kawasaki	D12/91
D727,804 S	4/2015	Nurnberger	
D730,777 S	6/2015	Nurnberger	
D739,789 S *	9/2015	Payne	D12/92
D740,725 S *	10/2015	Payne	D12/163
D751,464 S *	3/2016	Frei	D12/91
D758,247 S *	6/2016	Nurnberger	D12/92
D766,474 S	9/2016	Holgate et al.	
D772,128 S	11/2016	Platt	
D774,950 S	12/2016	Holgate et al.	
D774,995 S *	12/2016	Holgate	D12/163
D777,070 S	1/2017	Nurnberger	
D778,790 S	2/2017	Nurnberger	
D780,632 S *	3/2017	Nurnberger	D12/92
D780,633 S	3/2017	Payne et al.	
D780,634 S *	3/2017	Segui	D12/92
D780,636 S	3/2017	Kahn	
D785,525 S *	5/2017	Nurnberger	D12/190
D786,155 S	5/2017	Holgate et al.	
D786,744 S *	5/2017	Nurnberger	D12/163
D796,404 S	9/2017	Nurnberger	
D800,619 S	10/2017	Platt	
D801,558 S	10/2017	Nurnberger et al.	
D801,871 S *	11/2017	Manzoni	D12/92
D802,481 S *	11/2017	Zhang	D12/91
D805,959 S *	12/2017	Wheel	D12/91
D808,305 S *	1/2018	Badstuebner	D12/92
2007/0138835 A1 *	6/2007	Kapadia	B62D 25/082 296/193.09
2016/0101755 A1 *	4/2016	Sharif	B60R 19/52 296/193.1
2017/0113628 A1 *	4/2017	Sugiura	B60R 13/005

FOREIGN PATENT DOCUMENTS

EM	0002129230001	10/2004
EM	0002129230002	10/2004
EM	0010678390001	1/2009
EM	0016500520001	12/2009
EM	0016746310001	2/2010
EM	0016746310002	2/2010
EM	0016746310003	2/2010
EM	0016746310005	2/2010
EM	0019998480001	2/2012
EM	0019998480003	2/2012
EM	0020336210001	4/2012
EM	0020336210003	4/2012
EM	0020336210005	4/2012
EM	0020336210006	4/2012
EM	0020479770002	5/2012
EM	0021714880001	1/2013
EP	0896892 A1	2/1999
EP	0906863 A2	7/1999
EP	2476603 A2	7/2012
GB	2327912 A	2/1999
GB	3013456	7/2003
GB	2396881 A	7/2004
GB	3024223	3/2006
JP	1400694	8/2010
JP	1444677	6/2012
WO	0212028 A1	2/2002

OTHER PUBLICATIONS

U.S. Appl. No. 29/573,909, filed Aug. 10, 2016, Cooper.
 U.S. Appl. No. 29/582,156, filed Oct. 25, 2016, Earley.
 U.S. Appl. No. 29/582,165, filed Oct. 25, 2016, Earley.
 U.S. Appl. No. 29/582,167, filed Oct. 25, 2016, Earley.
 U.S. Appl. No. 29/582,170, filed Oct. 25, 2016, Earley.
 U.S. Appl. No. 29/582,592, filed Oct. 28, 2016, Reichman et al.

U.S. Appl. No. 29/583,268, filed Nov. 3, 2016, Nurnberger et al.
 U.S. Appl. No. 29/583,272, filed Nov. 3, 2016, Nurnberger et al.
 U.S. Appl. No. 29/583,278, filed Nov. 3, 2016, Nurnberger et al.
 U.S. Appl. No. 29/584,625, filed Nov. 16, 2016, Nurnberger et al.
 U.S. Appl. No. 29/584,629, filed Nov. 16, 2016, Nurnberger et al.
 U.S. Appl. No. 29/589,582, filed Jan. 3, 2017, Nurnberger et al.
 U.S. Appl. No. 29/589,586, filed Jan. 3, 2017, Nurnberger et al.
 U.S. Appl. No. 29/589,618, filed Jan. 3, 2017, Nurnberger et al.
 U.S. Appl. No. 29/589,621, filed Jan. 3, 2017, Nurnberger et al.
 U.S. Appl. No. 29/595,005, filed Feb. 24, 2017, Nurnberger et al.
 U.S. Appl. No. 29/604,102, filed May 15, 2017, Nurnberger et al.
 U.S. Appl. No. 29/616,003, filed Sep. 1, 2017, Re et al.
 U.S. Appl. No. 29/616,006, filed Sep. 1, 2017, Re et al.
 U.S. Appl. No. 29/616,008, filed Sep. 1, 2017, Re et al.
 U.S. Appl. No. 29/616,010, filed Sep. 1, 2017, Re et al.
 U.S. Appl. No. 29/616,014, filed Sep. 1, 2017, Re et al.
 U.S. Appl. No. 29/621,813, filed Oct. 11, 2017, Nurnberger et al.
 U.S. Appl. No. 29/621,815, filed Oct. 11, 2017, Nurnberger et al.
 U.S. Appl. No. 29/626,411, filed Nov. 16, 2017, Nurnberger et al.
 U.S. Appl. No. 29/626,415, filed Nov. 16, 2017, Nurnberger et al.
 U.S. Appl. No. 29/626,419, filed Nov. 16, 2017, Hill et al.
 U.S. Appl. No. 29/626,801, filed Nov. 20, 2017, Hill et al.
 U.S. Appl. No. 29/631,883, filed Jan. 3, 2018, Hill et al.
 U.S. Appl. No. 29/631,887, filed Jan. 3, 2018, Hill et al.
 “2009 Aston Martin Vantage 2-door Coupe Man Grille”. Found online Mar. 21, 2016 at motorauthority.com. Page dated c. 2009. Retrieved from http://www.motorauthority.com/image/100236184_2009-aston-martin-vantage-2-door-coupe-man-grille.
 “2011 Aston Martin One-77.” Electronic Brochure., Jun. 22, 2010 [online], [retrieved on Sep. 5, 2014]. Retrieved from the Internet <URL: http://www.auto-brochures.com/makes/Aston_Martin/one-77/Aston%20Martin_int%20ne-77.pdf>.
 “2012 Aston Martin Virage”, Online Review dated Mar. 21, 2012 (Retrieved from the Internet Jan. 20, 2016), Available at <http://www.autoblog.com/2012/03/21/2012-aston-martin-virage-review-road-test>.
 “Aston Martin Sedan/Lagonda Spy Photos”. Found online Mar. 21, 2016 at forums.nasioc.com. Page dated May 9, 2014. Retrieved from <http://forums.nasioc.com/forums/showthread.php?t=2628222>.
 “Car Wheels Design”, Online Blog dated Oct. 13, 2011 (Retrieved from the Internet Jan. 20, 2016), Available at <http://wheelsdesigns.blogspot.com/2011/10/aston-martin-wheels.html>.
 “eAutoZine: Aston Martin Lagonda Returns in Summer 2014”. Found online Mar. 21, 2016 at eautozine.com. Page dated Jun. 22, 2014. Retrieved from <http://www.eautozine.com/page/4/>.
 1976 and 1987 Aston Martin Lagonda, [online], [site visited Jul. 24, 2014], Available from Internet, <URL: <http://www.astonmartin.com/heritage/past-models/lagonda>>, 2 pages.
 2003 Aston Martin DB7 Vantage, [online], [site visited Jan. 3, 2014], Available from Internet, <URL: <http://www.conceptcarz.com/view/photo/291097,6877/2003-Aston-Martin-DB7-Vantage.aspx>>, 2 pages.
 2011 Aston Martin Rapide, [online article Feb. 4, 2010, [site visited Jan. 3, 2014], Available from Internet, <URL: http://www.roadandtrack.com/car-reviews/first-drives/photos-2011-aston-martin-rapide?click=main_sr#slide-1>, 6 pages.
 2014 Aston Martin Rapide S, announced Dec. 30, 2013, [online], [site visited Jan. 3, 2014], Available from Internet, <URL: <http://www.astonmartin.com/en-us/cars/rapide-s>>, 35 pages.
 Aston Martin 2013, “Aston Martin Centenary Celebration Programme,” 2013; 204 pages.
 Aston Martin DB9 Brochure; Website[online]: <http://www.auto-brochures.com>, Jan. 27, 2012 [retrieved on Oct. 22, 2013]. Retrieved from the internet: <URL: http://www.auto-brochures.com/makes/Aston_Martin/db9/Aston%20Martin_int%20DB9_1.pdf>; 41 pages.
 Aston Martin IDBS Brochure; Website[online]: <http://www.auto-brochures.com>, Jan. 27, 2012 [retrieved on Oct. 22, 2013]. Retrieved from the internet: <URL: http://www.auto-brochures.com/makes/Aston_Martin/dbs/Aston%20Martin_int%20DBS_1.pdf>; 62 pages.
 Aston Martin, “Vulcan”, <http://www.astonmartin.com/vulcan> [Retrieved from the Internet on Oct. 21, 2016], 2 pages.

(56)

References Cited

OTHER PUBLICATIONS

European Patent Office; PCT International Preliminary Examination Report dated Dec. 5, 2002; PCT/GB01/03563; 11 pages.

European Patent Office; PCT International Search Report dated Nov. 21, 2001; PCT/GB01/03563; 3 pages.

European Patent Office; PCT Written Opinion dated Aug. 21, 2002; PCT/GB01/03563; 5 pages.

European Patent Office; PCT Written Opinion dated Mar. 6, 2002; PCT/GB01/03563; 5 pages.

Youtube, "First Look: Aston Martin Vulcan—Geneva 2015", <https://www.youtube.com/watch?v=weY6qeOJIBe>, Published Mar. 5, 2015, 2 pages.

"Extremely Striking 'Bespoke' Aston Martin Super-Saloon Spied". Found online Mar. 21, 2016 at [forums.vwvortex.com](http://forums.vwvortex.com/showthread.php?6969673-Extremely-striking-quot-Bespoke-quat-). Page dated May 8, 2014., Retrieved from <http://forums.vwvortex.com/showthread.php?6969673-Extremely-striking-quot-Bespoke-quat->

Aston-Martin-super-saloon-spied-Built-by-0-by-Aston-Martin-will-be-very-limited-run-could-be-badged-Lagonda.

Carrion, Annette. "2014 Aston Martin Vanquish Volante Neiman Marcus . . ." European Car Web., Jun. 22, 2010 [online], [retrieved on Sep. 5, 2014]., Retrieved from the Internet <URL: http://www.europeancarweb.com/news/1311_2014_aston_martin_vanquish_volante_neiman_marcus_edition/photo_06.html>.

Vijayenthiran, Viknesh. "Aston Martin Builds and Sells Two CC100 Speedsters: Report." Motor Authority., Jul. 26, 2013 [online], [retrieved on Sep. 5, 2014]., Retrieved from the Internet <URL: http://www.motorauthority.com/news/1085797_aston-martin-builds-and-sells-two-cc1GO-speedsters-report>.

2008 Aston Martin DB9 Grill & Front View Photo. Website[online]: <http://www.motortrend.com>, Jun. 12, 2008 [retrieved on Oct. 22, 2013]., Retrieved from the internet: <URL: http://www.motortrend.com/cars/2008/aston_martin/db9/photos/exterior/grill_front_view.html>; 1 page.

* cited by examiner

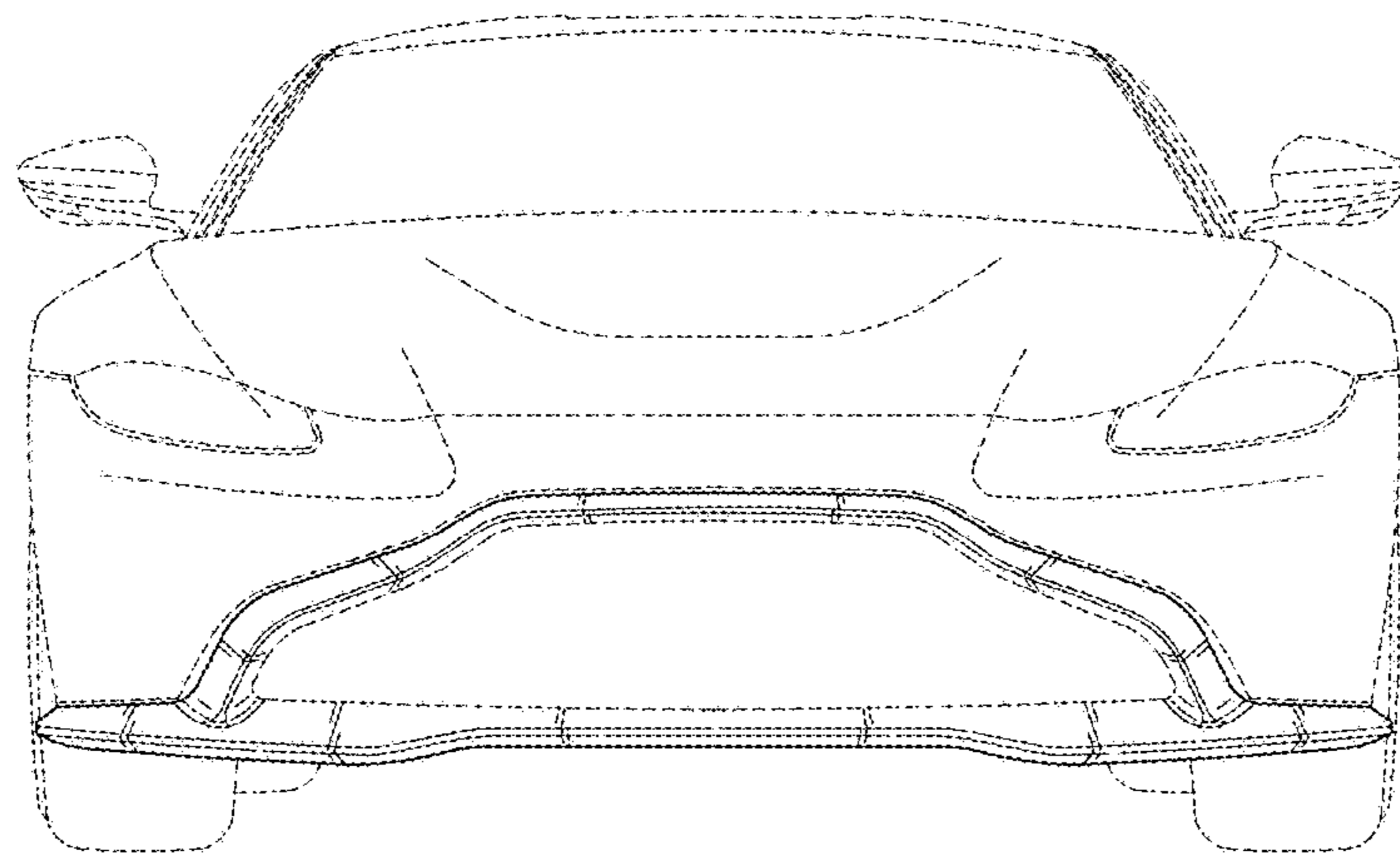


Fig. 1

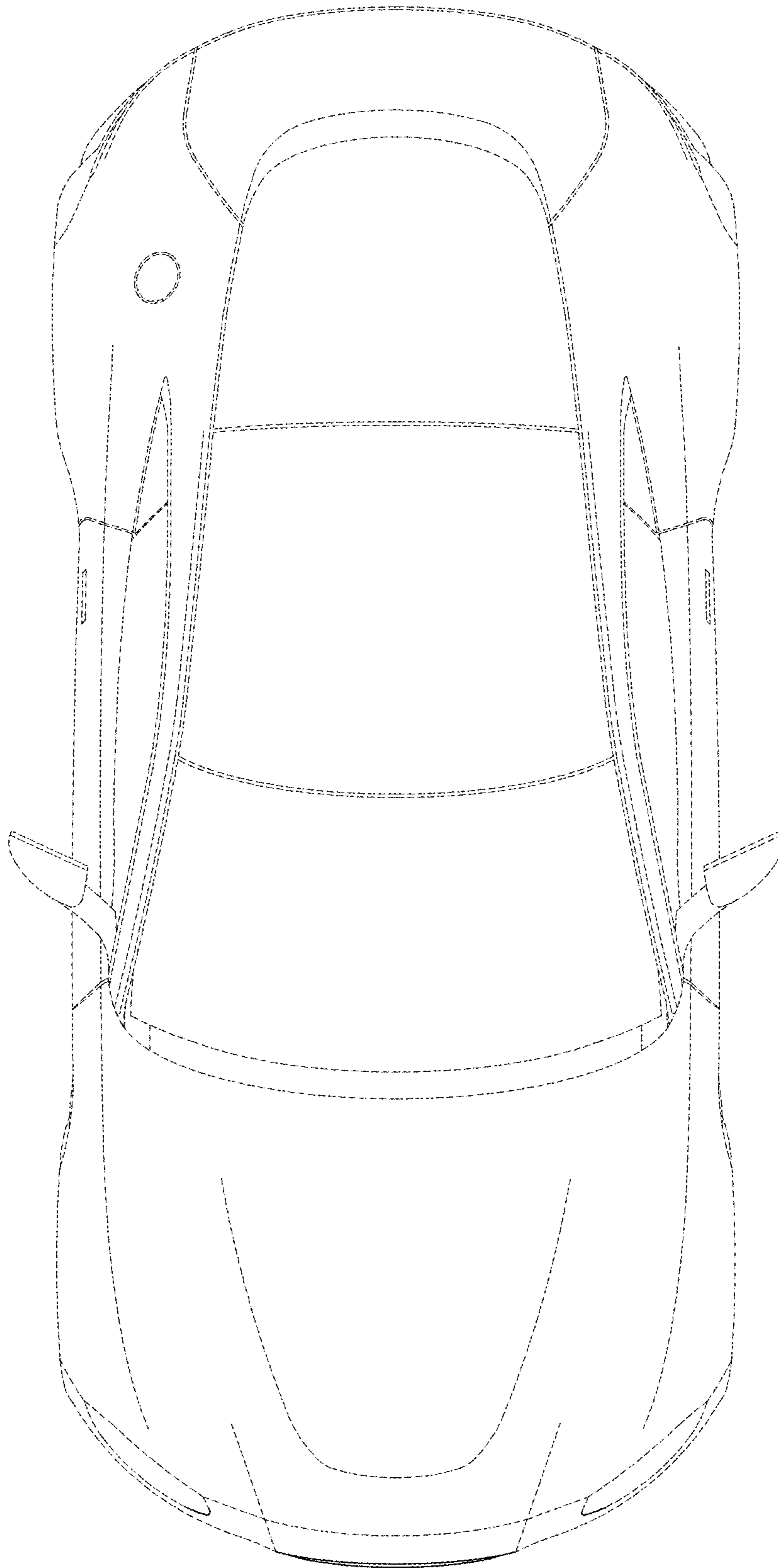


Fig. 2

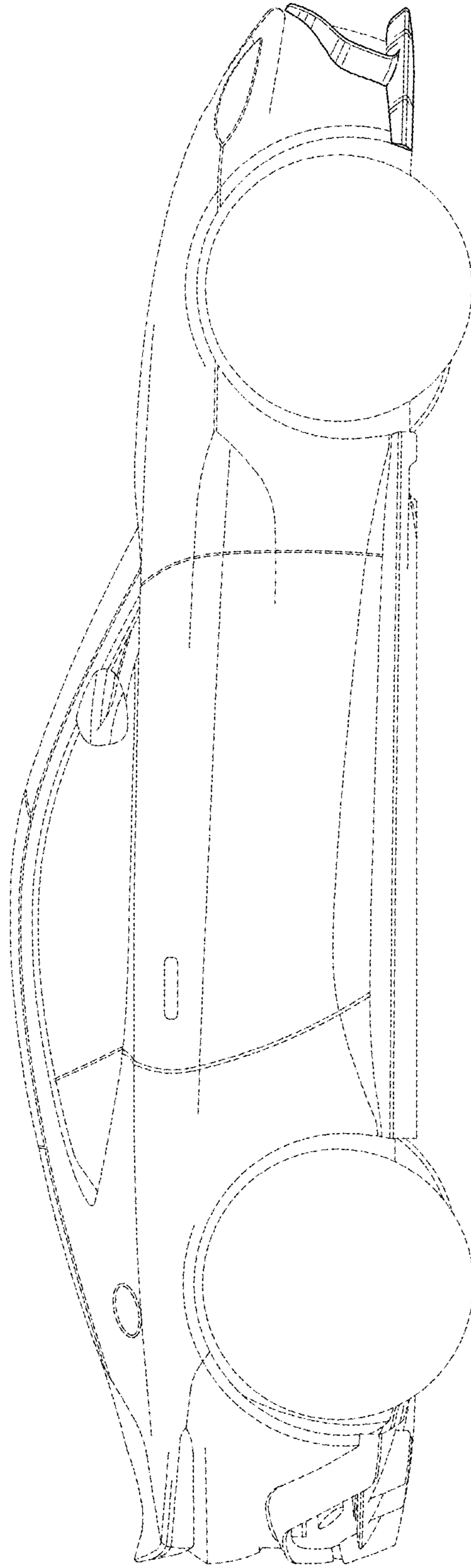


Fig. 3

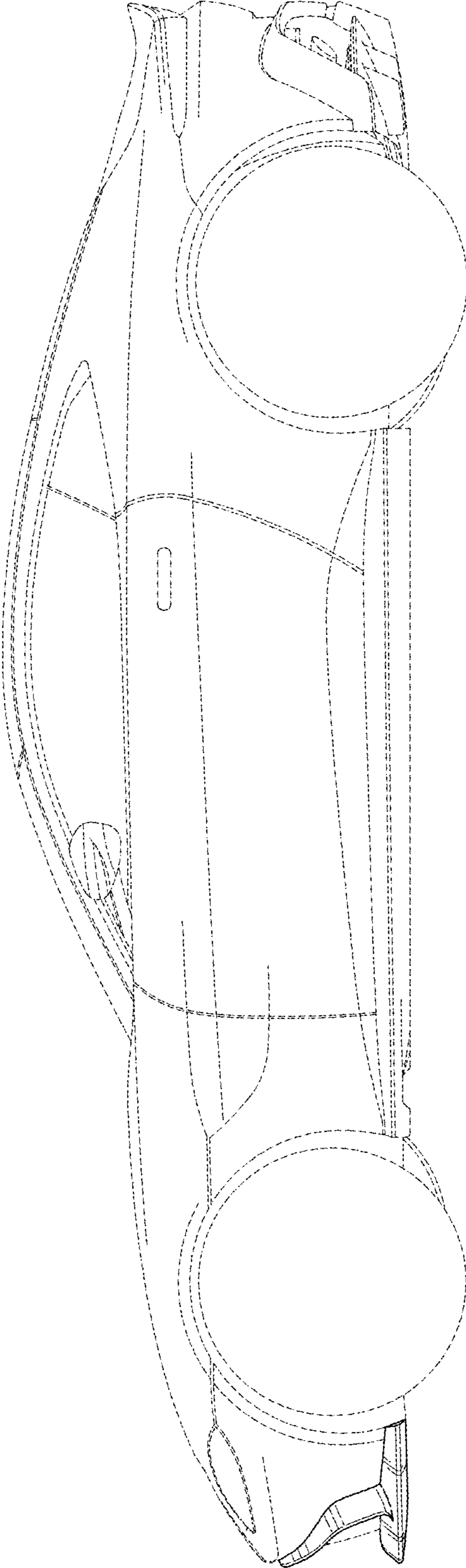


Fig. 4

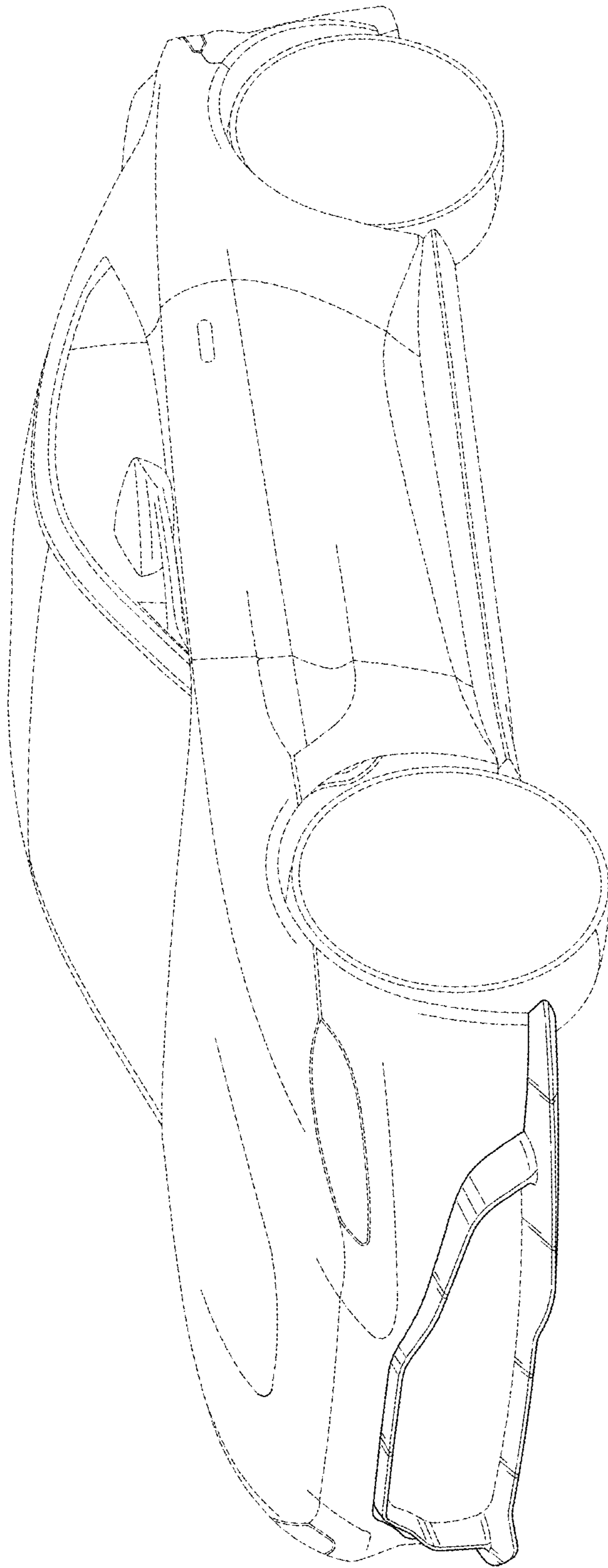


Fig. 5